

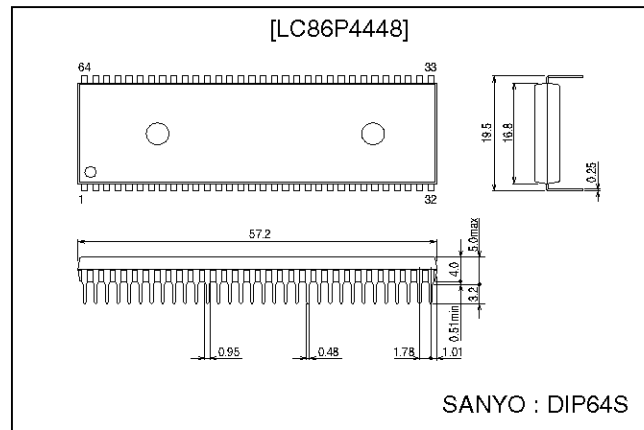
**LC86P4448****8-bit Single Chip Microcontroller****Preliminary****Overview**

The LC86P4448 is a CMOS 8-bit single chip microcontroller with one-time PROM for the LC864400 series.

This microcontroller has the same function and the pin description as the LC864400 series mask ROM version, and the 48K-byte PROM. It is suitable for developing programs.

Package Dimensions

unit : mm

3071-DIP64S**Features**

- (1) Option switching by PROM data
The option function of the LC864400 series can be specified by the PROM data.
The functions of the trial pieces can be evaluated using the mass production board.
- (2) Internal PROM capacity : 49152 bytes
- (3) Internal RAM capacity : 384 bytes

Mask ROM version	PROM capacity	RAM capacity
LC864448	49152 bytes	384 bytes
LC864444	45056 bytes	384 bytes
LC864440	40960 bytes	384 bytes
LC864436	36864 bytes	384 bytes
LC864432	32768 bytes	384 bytes
LC864428	28672 bytes	384 bytes
LC864424	24576 bytes	384 bytes
LC864420	20480 bytes	384 bytes

- (4) Operating supply voltage : 4.5 V to 5.5 V
- (5) Instruction cycle time : 0.99 μ s to 366 μ s
- (6) Operating temperature : -30°C to $+70^{\circ}\text{C}$
- (7) The pin and package compatible with the LC864400 series mask ROM devices
- (8) Applicable mask ROM version : LC864448/LC864444/LC864440/LC864436/LC864432
LC864428/LC864424/LC864420
- (9) Factory shipment : DIP64S

SANYO Electric Co.,Ltd. Semiconductor Business Headquarters

TOKYO OFFICE Tokyo Bldg., 1-10, 1 Chome, Ueno, Taito-ku, TOKYO, 110-8534 JAPAN

LC86P4448

Usage Notes

The LC86P4448 is provided for the first release and small shipping of the LC864400 series.
At using, take notice of the followings.

(1) Differences between the LC86P4448 and the LC864400 series

Item	LC86P4448	LC864448/44/40/36/32/28/24/20
Operation after reset releasing	The option is specified by degrees until 3 ms after going to a 'H' level to the reset terminal. The program is executed from 00H of the program counter.	The program is executed from 00H of the program counter immediately after going to a 'H' level to the reset terminal.
Operating supply voltage range (V _{DD})	4.5 V to 5.5 V	2.7 V to 5.5 V
Power dissipation	Refer to 'electrical characteristics' on the semiconductor news.	

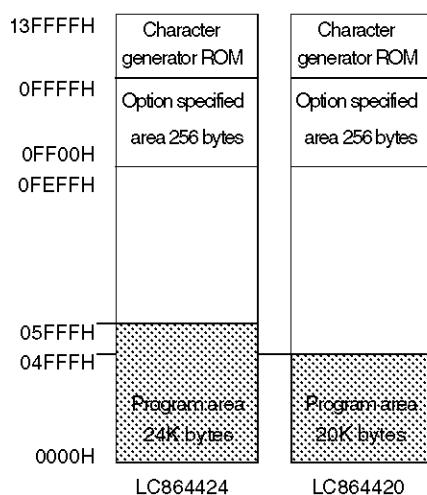
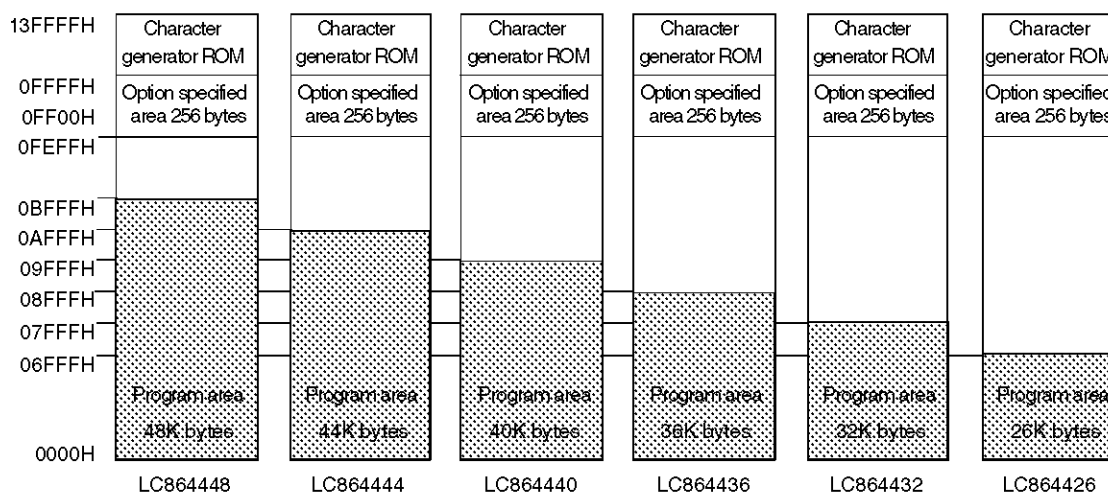
The LC86P4448 uses 256 bytes addressed on FF00H to FFFFH in the program memory as the option configuration data area. All options of the LC864400 series can be specified.

(2) Option

The option data is written with the option specifying program "SU86K.EXE". The option data is linked to the program area by the linkage loader "L86K.EXE".

(3) ROM space

The LC86P4448 and LC864400 series use 256 bytes addressed on FF00H to FFFFH in the program memory as the option specified data area. The program memory capacity of this series is, at most, 49152 bytes addressed on 0000H to BFFFH.



How to Use

(1) Create a programming data for LC86P4448

Programming data for EPROM of the LC86P4448 is required.

Debugged evaluation file (EVA file) must be converted to an INTEL-HEX formatted file (HEX file) with the file converter program EVA2HEX.EXE. The HEX file is used as the programming data for the LC86P4448.

(2) How to program for the PROM

The LC86P4448 can be programmed by the EPROM programmer with attachment W86EP4448D.

- Recommended EPROM programmer

Manufacturer	EPROM programmer
Advantest	R4945, R4944, R4943
Andou	AF-9704
AVAL	PKW-1100, PKW-3000
Minato electronics	MODEL1890A

- "27010 (V_{pp} = 12.5 V) Intel high speed programming" mode should be adopted. The address must be set to 13FFFH" and the jumper (DASEC) must be set to 'OFF' at programming.

(3) How to use the data security function

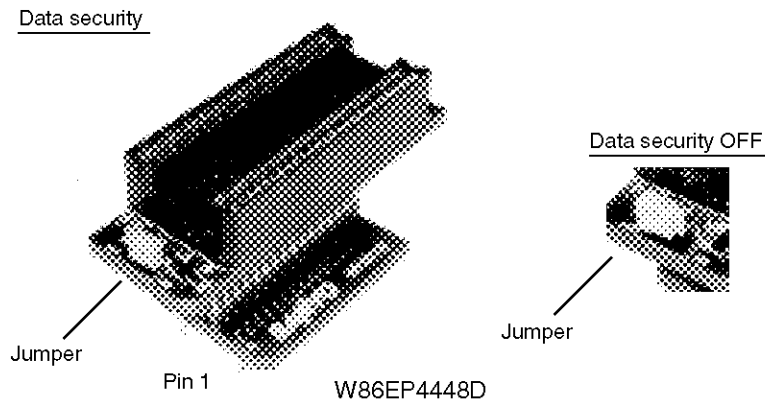
"Data security" is the function to disable the EPROM data from being read out.

The following is the process in order to execute data security function.

1. Set the jumper of attachment 'ON'.
2. Program again. The EPROM programmer will display an error. The error means that the data security functions normally. It is not trouble of the EPROM programmer or the LSI.

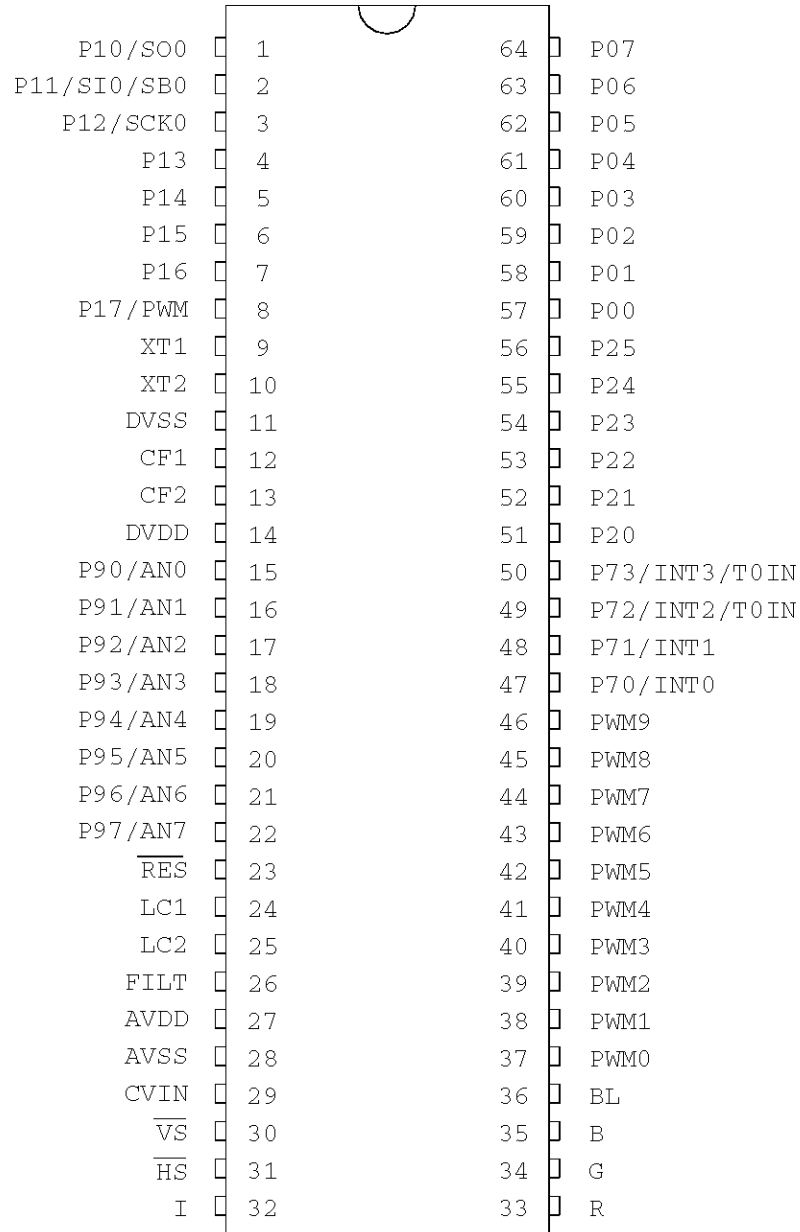
Notes

- Data security is not executed when the data of all addresses have 'FF' at procedure 2 above.
- Data security cannot be executed by programming the sequential operation "BLANK=>PROGRAM=>VERIFY" at procedure 2 above.
- Set the jumper to 'OFF' after executing the data security.



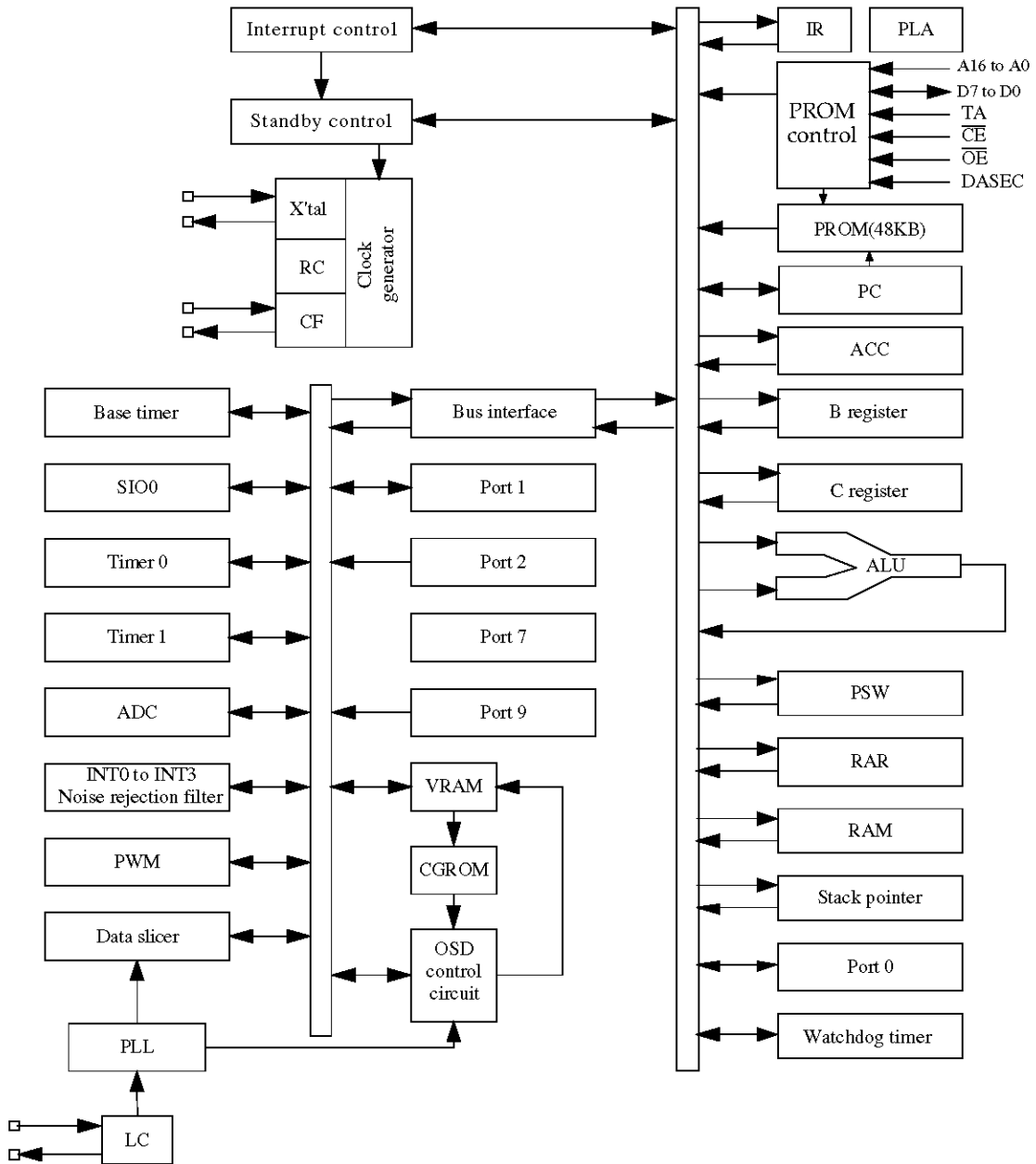
LC86P4448

Pin Assignment



Top view

System Block Diagram



LC86P4448

Pin Description

- Port option can be specified by bit units.
- At port 0, 'Pull-up resistor provided' when specifying CMOS output.
'Pull-up resistor not provided' when specifying N-ch open drain output.
- At port 1 and 2, 'Programmable pull-up resistor provided' when specifying either CMOS or N-ch open drain output.

Pin Description Table

Pin name	Pin No.	I/O	Function description	Option	PROM mode								
DVSS	11	—	Negative power supply for digital circuit										
XT1	9	I	Input pin for the crystal oscillation										
XT2	10	O	Output pin for the crystal oscillation										
CF1	12	I	Input terminal for ceramic resonator										
CF2	13	O	Output terminal for ceramic resonator										
DV _{DD}	14	—	Positive power supply for digital circuit										
$\overline{\text{RES}}$	23	I	Reset terminal										
LC1	24	I	LC oscillation circuit input terminal										
LC2	25	O	LC oscillation circuit output terminal										
FILT	26	O	Filter terminal for PLL										
AVDD	27	—	Positive power supply for analog circuit										
AVSS	28	—	Negative power supply for analog circuit										
CVIN	29	I	Video signal input terminal										
$\overline{\text{VS}}$	30	I	Vertical synchronization signal input terminal										
HS	31	I	Horizontal synchronization signal input terminal										
I	32	O	Image intensity output										
R	33	O	Red (R) output terminal of RGB image output		A4 (*1)								
G	34	O	Green (G) output terminal of RGB image output		A5 (*1)								
B	35	O	Blue (B) output terminal of RGB image output		A6 (*1)								
BL	36	O	Fast blanking control signal Switch TV image signal and caption/ OSD image signal		A7 (*1)								
PWM0 to PWM9	37 to 46	O	PWM0 to 9 output terminal 15 V withstand		PWM 0 to 8 : A8 to A16 (*1) PWM 9 : "L" fixed								
Port 0 P00 to P07	57 to 64	I/O	8-bit Input/output port Input/output can be specified in nibble units HOLD release input Interrupt input	Pull-up resistor Provided/not provided (in bit units) Output Format CMOS/Nch-OD (in bit units)									
Port 1 P10 to P17	1 to 8	I/O	8-bit Input/output port Input/output can be specified in bit units. Other function <table border="1" style="margin-left: 20px;"> <tr> <td>P10</td> <td>SIO0 data output</td> </tr> <tr> <td>P11</td> <td>SIO0 data input /bus input/output</td> </tr> <tr> <td>P12</td> <td>SIO0 clock input/output</td> </tr> <tr> <td>P17</td> <td>Timer 1 (PWM) output</td> </tr> </table>	P10	SIO0 data output	P11	SIO0 data input /bus input/output	P12	SIO0 clock input/output	P17	Timer 1 (PWM) output	Output Format CMOS/Nch-OD (in bit units)	D0 to D7 (*2)
P10	SIO0 data output												
P11	SIO0 data input /bus input/output												
P12	SIO0 clock input/output												
P17	Timer 1 (PWM) output												
Port 2 P20 to P25	51 to 56	I/O	6-bit Input/output port Input/output can be specified in bit units.	Output Format CMOS/Nch-OD (in bit units)									

LC86P4448

Pin name	Pin No.	I/O	Function description	Option	PROM mode																																
Port 7	47 48 to 50	I/O I	4-bit input port	Pull-up resistor provided/ not provided (in bit units)	P70 : VPP (*3) P71 : DASEC (*4) P72 : OE (*5) P73 : CE (*6)																																
P70			Other function																																		
P71 to P73			<table style="width: 100%; border-collapse: collapse;"> <tr> <td style="width: 10%; padding: 2px;">P70</td> <td style="padding: 2px;">NT0 input/HOLD release input/Nch-transistor output for watchdog timer</td> </tr> <tr> <td style="padding: 2px;">P71</td> <td style="padding: 2px;">INT1 input/HOLD release input</td> </tr> <tr> <td style="padding: 2px;">P72</td> <td style="padding: 2px;">INT2 input/timer 0 event input</td> </tr> <tr> <td style="padding: 2px;">P73</td> <td style="padding: 2px;">INT3 input (noise rejection filter attached input/timer 0 event input</td> </tr> </table>			P70	NT0 input/HOLD release input/Nch-transistor output for watchdog timer	P71	INT1 input/HOLD release input	P72	INT2 input/timer 0 event input	P73	INT3 input (noise rejection filter attached input/timer 0 event input																								
P70			NT0 input/HOLD release input/Nch-transistor output for watchdog timer																																		
P71			INT1 input/HOLD release input																																		
P72			INT2 input/timer 0 event input																																		
P73	INT3 input (noise rejection filter attached input/timer 0 event input																																				
Interrupt receiver format vector address																																					
<table style="width: 100%; border-collapse: collapse;"> <thead> <tr> <th style="width: 10%;"></th> <th style="width: 10%;">Rise</th> <th style="width: 10%;">Fall</th> <th style="width: 10%;">Rise/Fall</th> <th style="width: 10%;">H level</th> <th style="width: 10%;">L level</th> <th style="width: 10%;">Vector</th> </tr> </thead> <tbody> <tr> <td style="padding: 2px;">INT0</td> <td style="padding: 2px;">enable</td> <td style="padding: 2px;">enable</td> <td style="padding: 2px;">disable</td> <td style="padding: 2px;">enable</td> <td style="padding: 2px;">enable</td> <td style="padding: 2px;">03H</td> </tr> <tr> <td style="padding: 2px;">INT1</td> <td style="padding: 2px;">enable</td> <td style="padding: 2px;">enable</td> <td style="padding: 2px;">disable</td> <td style="padding: 2px;">enable</td> <td style="padding: 2px;">enable</td> <td style="padding: 2px;">0BH</td> </tr> <tr> <td style="padding: 2px;">INT2</td> <td style="padding: 2px;">enable</td> <td style="padding: 2px;">enable</td> <td style="padding: 2px;">enable</td> <td style="padding: 2px;">disable</td> <td style="padding: 2px;">disable</td> <td style="padding: 2px;">13H</td> </tr> <tr> <td style="padding: 2px;">INT3</td> <td style="padding: 2px;">enable</td> <td style="padding: 2px;">enable</td> <td style="padding: 2px;">enable</td> <td style="padding: 2px;">disable</td> <td style="padding: 2px;">disable</td> <td style="padding: 2px;">1BH</td> </tr> </tbody> </table>				Rise	Fall	Rise/Fall	H level	L level	Vector	INT0	enable	enable	disable	enable	enable	03H	INT1	enable	enable	disable	enable	enable	0BH	INT2	enable	enable	enable	disable	disable	13H	INT3	enable	enable	enable	disable	disable	1BH
	Rise	Fall	Rise/Fall	H level	L level	Vector																															
INT0	enable	enable	disable	enable	enable	03H																															
INT1	enable	enable	disable	enable	enable	0BH																															
INT2	enable	enable	enable	disable	disable	13H																															
INT3	enable	enable	enable	disable	disable	1BH																															
Port 9	15 to 22	I	8-bit input port		P90 to P93 : A0 to A3 (*1)																																
P90 to P97			Other function AD converter input port (8 lines)																																		

*1 An → Address input

*2 Data I/O

*3 Power for programming

*4 Memory select input/output for data security

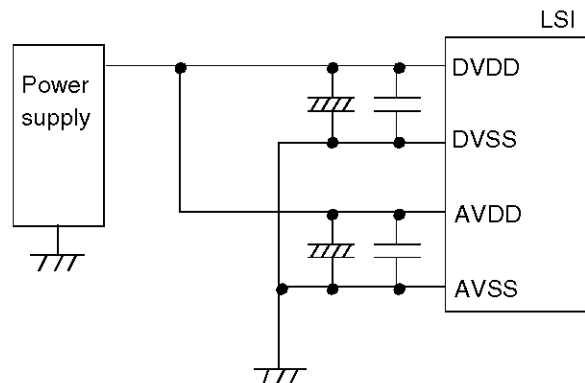
*5 Output Enable input

*6 Chip Enable input

- Port state during reset

Terminal	I/O	Pull-up resistor status at selecting pull-up option
Port 0	Input	Pull-up resistor OFF, ON after reset release
Port 1, 2	Input	Programmable pull-up resistor OFF
Port 7	Input	Fixed pull-up resistor provided

* AVDD and AVSS are the power supply terminals for the analog operation block. DVDD and DVSS are the power supply terminals for the digital operation block. Connect them like the following figure to reduce the mutual noise influence.



Specifications

1. Absolute Maximum Ratings at Ta = 25°C, VSS = 0 V

Parameter		Symbol	Pins	Conditions	Ratings			Unit		
					V _{DD} [V]	min	typ		max	
Supply voltage		V _{DDmax}	DVDD, AVDD	DVDD = AVDD		-0.3		+7.0	V	
Input voltage		V _{I(1)}	<ul style="list-style-type: none"> • P71, 72, 73 • Port 9 • \overline{RES}, \overline{HS}, \overline{VS}, CVIN 			-0.3		V _{DD} +0.3		
Output voltage		V _{O(1)}	R, G, B, BL, I, FILT			-0.3		V _{DD} +0.3		
		V _{O(2)}	PWM0 to PWM9			-0.3		+15		
Input/output voltage		V _{IO(1)}	Ports 0, 1, 2, P70			-0.3		V _{DD} +0.3		
High-level output current	Peak output current	I _{OPH(1)}	Ports 0, 1, 2	<ul style="list-style-type: none"> • Pull-up MOS transistor output • At each pin 		-2			mA	
		I _{OPH(2)}	Ports 0, 1, 2	<ul style="list-style-type: none"> • CMOS output • At each pin 		-4				
		I _{OPH(3)}	R, G, B, BL, I	<ul style="list-style-type: none"> • CMOS output • At each pin 		-5				
	Total output current	ΣI _{OAH(1)}	Port 1	The total of all pins			-10			
		ΣI _{OAH(2)}	Ports 0, 2	The total of all pins			-10			
		ΣI _{OAH(3)}	R, G, B, BL, I	The total of all pins			-15			
Low-level output current	Peak output current	I _{OPL(1)}	Ports 0, 1, 2	At each pin				20		
		I _{OPL(2)}	P70	At each pin				30		
		I _{OPL(3)}	<ul style="list-style-type: none"> • R, G, B, BL, I • PWM0 to PWM9 	At each pin				5		
	Total output current	ΣI _{OAL(1)}	Port 0, 2	The total of all pins					40	
		ΣI _{OAL(2)}	Port 1, P70	The total of all pins					40	
		ΣI _{OAL(3)}	R, G, B, BL, I	The total of all pins					15	
		ΣI _{OAL(4)}	PWM0 to PWM9	The total of all pins					30	
Maximum power dissipation		Pd max	DIP64S	Ta = -30 to +70°C				720	mW	
Operating temperature range		Topr				-30		+70	°C	
Storage temperature range		Tstg				-55		+125		

* DVSS and AVSS must be supplied the same voltage, V_{SS}. V_{SS} = DVSS = AVSS
 DVDD and AVDD must be supplied the same voltage, V_{DD}. V_{DD} = DVDD = AVDD

LC86P4448

2. Recommended Operating Range at Ta = -30°C to +70°C, V_{SS} = 0 V

Parameter	Symbol	Pins	Conditions	Ratings			Unit	
				V _{DD} [V]	min	typ		max
Operating supply voltage range	V _{DD} (1)	DVDD, AVDD	0.97 μs ≤ tCYC ≤ 1.02 μs		4.5		5.5	V
	V _{DD} (2)		0.97 μs ≤ tCYC ≤ 400 μs		4.5		5.5	
Hold voltage	V _{HD}	DVDD, AVDD	RAMs and the registers hold data at HOLD mode.		2.0		5.5	
Input high-level voltage	V _{IH} (1)	Port 0 (Schmitt)	Output disable	4.5 to 5.5	0.6 V _{DD}		V _{DD}	
	V _{IH} (2)	• Ports 1, 2 (Schmitt) • P72, 73 • \overline{HS} , \overline{VS}	Output disable	4.5 to 5.5	0.75 V _{DD}		V _{DD}	
	V _{IH} (3)	• P70 port input / interrupt • P71 • \overline{RES} (Schmitt)	Output N-channel transistor OFF	4.5 to 5.5	0.75 V _{DD}		V _{DD}	
	V _{IH} (4)	P70 Watchdog timer input	Output N-channel transistor OFF	4.5 to 5.5	V _{DD} -0.5		V _{DD}	
	V _{IH} (5)	Port 9 port input		4.5 to 5.5	0.7 V _{DD}		V _{DD}	
Input low-level voltage	V _{IL} (1)	Port 0 (Schmitt)	Output disable	4.5 to 5.5	V _{SS}		0.2 V _{DD}	
	V _{IL} (2)	• Ports 1, 2 (Schmitt) • P72, 73 • \overline{HS} , \overline{VS} • Port 9	Output disable	4.5 to 5.5	V _{SS}		0.25 V _{DD}	
	V _{IL} (3)	• P70 port input / interrupt • P71 • \overline{RES} (Schmitt)	N-channel transistor OFF	4.5 to 5.5	V _{SS}		0.25 V _{DD}	
	V _{IL} (4)	P70 Watchdog timer input	N-channel transistor OFF	4.5 to 5.5	V _{SS}		0.6 V _{DD}	
	V _{IL} (5)	Port 9 port input		4.5 to 5.5	V _{SS}		0.3 V _{DD}	
CVIN input amplitude	V _{CVIN}	CVIN		5.0	1Vp-p-3dB	1Vp-p	1Vp-p+3dB	Vp-p *
Operation cycle time	tCYC(1)		OSD function	4.5 to 5.5	0.97	1	1.02	μs
	tCYC(2)		Except OSD function	4.5 to 5.5	0.97		400	

* Vp-p : Peak-to-peak voltage

LC86P4448

Parameter	Symbol	Pins	Conditions	Ratings			Unit	
				V _{DD} [V]	min	typ		max
Oscillation frequency range (Note 1)	FmCF(1)	CF1, CF2	12 MHz (ceramic resonator oscillation) Refer to Figure 1.	4.5 to 5.5	11.76	12	12.24	MHz
	FmCF(2)		12.08 MHz (ceramic resonator oscillation) Refer to Figure 1.	4.5 to 5.5	11.84	12.08	12.32	
	FmLC	LC1, LC2	14.11 MHz (LC oscillation) Refer to Figure 2.	4.5 to 5.5		14.11		
	FmRC		RC oscillation	4.5 to 5.5	0.4	0.8	3.0	
	FsXtal	XT1, XT2	32.768 kHz (crystal resonator oscillation) Refer to Figure 3.	4.5 to 5.5		32.768		kHz
Oscillation stable time period (Note 2)	tmsCF(1)	CF1, CF2	12 MHz (ceramic resonator oscillation) Refer to Figure 4.	4.5 to 5.5		0.02	0.2	ms
	tmsCF(2)		12 MHz (ceramic resonator oscillation) Refer to Figure 4.	4.5 to 5.5		0.02	0.2	
	tssXtal	XT1, XT2	32.768 kHz (crystal resonator oscillation) Refer to Figure 4.	4.5 to 5.5		1.0	5.0	s

(Note 1) Refer to tables 1, 2 and 3 for oscillation constant.

(Note 2) The oscillation stable time period refers to the time it takes to oscillate stably after the following conditions.

1. Applying the first supply voltage.
2. Release of the HOLD mode.
3. Release of the stopping of the main-clock oscillation. (Refer to Figure 4)

LC86P4448

3. Electrical Characteristics at Ta = -30°C to +70°C, V_{SS} = 0 V

Parameter	Symbol	Pins	Conditions	Ratings			Unit	
				V _{DD} [V]	min	typ		max
Input high-level current	I _{IH} (1)	<ul style="list-style-type: none"> Ports 1, 2 Port 0 without pull-up MOS transistor 	<ul style="list-style-type: none"> Output disable Pull-up MOS transistor OFF V_{IN} = V_{DD} (including the off-leak current of the output transistor) 	4.5 to 5.5			1	μA
	I _{IH} (2)	<ul style="list-style-type: none"> Port 7 without pull-up MOS transistor Port 9 RES HS, \overline{VS} 	V _{IN} = V _{DD}	4.5 to 5.5			1	
Input low-level current	I _{IL} (1)	<ul style="list-style-type: none"> Ports 1, 2 Port 0 without pull-up MOS transistor 	<ul style="list-style-type: none"> Output disable Pull-up MOS transistor OFF V_{IN} = V_{SS} (including the off-leak current of the output transistor) 	4.5 to 5.5	-1			
	I _{IL} (2)	<ul style="list-style-type: none"> Port 7 without pull-up MOS transistor Port 9 	V _{IN} = V _{SS}	4.5 to 5.5	-1			
	I _{IL} (3)	<ul style="list-style-type: none"> RES HS, \overline{VS} 	V _{IN} = V _{SS}	4.5 to 5.5	-1			
Output high-level voltage	V _{OH} (1)	CMOS output of ports 0, 1, 2	I _{OH} = -1.0 mA	4.5 to 5.5	V _{DD} -1			V
	V _{OH} (2)	R, G, B, BL, I	I _{OH} = -0.1 mA	4.5 to 5.5	V _{DD} -0.5			
Output low-level voltage	V _{OL} (1)	Ports 0, 1, 2	I _{OL} = 10 mA	4.5 to 5.5			1.5	
	V _{OL} (2)	Ports 0, 1, 2	<ul style="list-style-type: none"> I_{OL} = 1.6 mA The total current of the ports 0, 1 is 40 mA or less. 	4.5 to 5.5			0.4	
	V _{OL} (3)	<ul style="list-style-type: none"> R, G, B, BL, I PWM0 to PWM9 	<ul style="list-style-type: none"> I_{OL} = 3.0 mA The current of any unmeasured pin is 3 mA or less. 	4.5 to 5.5			0.4	
	V _{OL} (4)	P70	I _{OL} = 1 mA	4.5 to 5.5			0.4	
Pull-up MOS transistor resistance	R _{pu}	<ul style="list-style-type: none"> Ports 0, 1, 2 Port 7 	V _{OH} = 0.9V _{DD}	4.5 to 5.5	13	38	80	kΩ
Output off-leakage current	I _{OFF}	PWM0 to PWM9	V _{OUT} = 13.5 V	4.5 to 5.5			5	μA
Hysteresis voltage	V _{HIS}	<ul style="list-style-type: none"> Ports 0, 1, 2 Port 7 RES HS, \overline{VS} 	Output disable	4.5 to 5.5		0.1V _{DD}		V

LC86P4448

Parameter	Symbol	Pins	Conditions	Ratings			Unit	
				V _{DD} [V]	min	typ		max
Input clamp voltage	V _{CLMP}	CV _{IN}		5.0	2.3	2.5	2.7	V
Pin capacitance	CP	All pins	<ul style="list-style-type: none"> • f = 1 MHz • Unmeasured terminals for the input are set to V_{SS} level. • Ta = 25°C 	4.5 to 5.5		10		pF

4. Serial Input/Output Characteristics at Ta = -30°C to +70°C, V_{SS} = 0 V

Parameter	Symbol	Pins	Conditions	Ratings			Unit			
				V _{DD} [V]	min	typ		max		
Serial clock	Input clock	Cycle	tCKCY(1)	<ul style="list-style-type: none"> • SCK0 • SCLK0 	Refer to Figure 6.	4.5 to 5.5	2			tCYC
		Low-level pulse width	tCKL(1)				1			
		High-level pulse width	tCKH(1)				1			
	Output clock	Cycle	tCKCY(2)	<ul style="list-style-type: none"> • SCK0 • SCLK0 	<ul style="list-style-type: none"> • Use a pull-up resistor (1 kΩ) when open drain output • Refer to Figure 6. 	4.5 to 5.5	2			
		Low-level pulse width	tCKL(2)					1/2tCKCY		
		High-level pulse width	tCKH(2)					1/2tCKCY		
Serial input	Data set-up time	tICK	• SI0	<ul style="list-style-type: none"> • Data set-up to SCK0 rising • Data hold from SCK0 rising • Refer to Figure 6. 	4.5 to 5.5	0.1			μs	
	Data hold time	tCKI				0.1				
Serial output	Output delay time (External serial clock)	tCKO(1)	• SO0	<ul style="list-style-type: none"> • Use a pull-up resistor (1 kΩ) when open drain output. • Data set-up to SCK0 falling • Data hold from SCK0 falling • Refer to Figure 6. 	4.5 to 5.5			7/12tCYC +0.2		
	Output delay time (Internal serial clock)	tCKO(2)			4.5 to 5.5			1/3tCYC +0.2		

LC86P4448

5. Pulse Input Conditions at $T_a = -30^{\circ}\text{C}$ to $+70^{\circ}\text{C}$, $V_{SS} = 0\text{ V}$

Parameter	Symbol	Pins	Conditions	Ratings			Unit	
				V_{DD} [V]	min	typ		max
High/low level pulse width	tPIH(1) tPIL(1)	•INT0, INT1 •INT2/T0IN	•Interrupt acceptable •Timer0-countable	4.5 to 5.5	1		tCYC	
	tPIH(2) tPIL(2)	INT3/T0IN (The noise rejection clock is set to 1/1)	•Interrupt acceptable •Timer0-countable	4.5 to 5.5	2			
	tPIH(3) tPIL(3)	INT3/T0IN (The noise rejection clock is set to 1/16)	•Interrupt acceptable •Timer0-countable	4.5 to 5.5	32			
	tPIL(4)	$\overline{\text{RES}}$	Reset acceptable	4.5 to 5.5	200		μs	
	tPIH(5) tPIL(5)	$\overline{\text{HS}}$, $\overline{\text{VS}}$	Display position controllable Each active edge of HS, VS must be more than 1tCYC. Refer to Figure 8.	4.5 to 5.5	10		tCYC	
Rising/falling time	tTHL tTLH	$\overline{\text{HS}}$	Refer to Figure 8.	4.5 to 5.5		500	ns	
Horizontal pull-in range	FH	$\overline{\text{HS}}$	The monitor point in Figure 11 is $1/2 V_{DD}$.	4.5 to 5.5	15.23	15.73	16.23	kHz

6. A/D Converter Characteristics at $T_a = -30^{\circ}\text{C}$ to $+70^{\circ}\text{C}$, $V_{SS} = 0\text{ V}$

Parameter	Symbol	Pins	Conditions	Ratings			Unit	
				V_{DD} [V]	min	typ		max
Resolution				4.5 to 5.5		5	bit	
Absolute precision			(Note 3)	4.5 to 5.5		$\pm 1/4$	$\pm 3/4$	LSB
Conversion time	tCAD	From Vref selection to when the result is produced	1 bit conversion time = 2tCYC	4.5 to 5.5		2		μs
Reference current	I_{REF}		(Regulate the ladder resistor)	4.5 to 5.5		1.0	2.0	mA
Analog input voltage range	V_{AIN}	AN0 to AN7		4.5 to 5.5	V_{SS}		V_{DD}	V
Analog port input current	I_{AINH}		$V_{AIN} = V_{DD}$	4.5 to 5.5			1	μA
	I_{AINL}		$V_{AIN} = V_{SS}$	4.5 to 5.5	-1			

(Note 3) Absolute precision excepts quantizing error ($\pm 1/2$ LSB).

LC86P4448

7. Current Drain Characteristics at Ta = -30°C to +70°C, VSS = 0 V

Parameter	Symbol	Pins	Conditions	Ratings			Unit	
				V _{DD} [V]	min	typ		max
Current drain during basic operation (Note 4)	I _{DDOP} (1)	DVDD, AVDD	<ul style="list-style-type: none"> • FmCF = 12 MHz or FmCF = 12.08 MHz when ceramic resonator oscillation • FsXtal = 32.768 kHz when crystal oscillation • FmLC = 14.11 MHz LC oscillation • System clock : CF oscillation • Internal RC oscillation stops 	4.5 to 5.5		25	38	mA
	I _{DDOP} (2)		<ul style="list-style-type: none"> • FmCF = 0 Hz (when oscillation stops) • FmLC = 0 Hz (when oscillation stops) • FsXtal = 32.768 kHz when crystal oscillation • System clock : LC oscillation • Internal RC oscillation stops 	4.5 to 5.5		8	16	
Current drain in HALT mode (Note 4)	I _{DDHALT} (1)	DVDD, AVDD	<ul style="list-style-type: none"> • HALT mode • FmCF = 12 MHz or FmCF = 12.08 MHz when ceramic resonator oscillation • FmLC = 0 Hz (when oscillation stops) • FsXtal = 32.768 kHz when crystal oscillation • System clock : CF oscillation • Internal RC oscillation stops. 	4.5 to 5.5		5	10	mA
	I _{DDHALT} (2)	DVDD, AVDD	<ul style="list-style-type: none"> • HALT mode • FmCF = 0 Hz (when oscillation stops) • FmLC = 0 Hz (when oscillation stops) • FsXtal = 32.768 kHz when crystal oscillation • System clock : Internal RC 	4.5 to 5.5		400	1600	μA
	I _{DDHALT} (3)	DVDD, AVDD	<ul style="list-style-type: none"> • FmCF = 0 Hz (when oscillation stops) • FmLC = 0 Hz (when oscillation stops) • FsXtal = 32.768 kHz when crystal oscillation • System clock : LC oscillation • Internal RC oscillation stops 	4.5 to 5.5		25	100	
Current drain in HOLD mode (Note 4)	I _{DDHOLD}	DVDD, AVDD	<ul style="list-style-type: none"> • HOLD mode • All oscillation stops. 	4.5 to 5.5		0.05	30	μA

(Note 4) The currents of the output transistors and the pull-up MOS transistors are ignored.

LC86P4448

Oscillation types	Manufacturer	Oscillator	C1	C2
12 MHz ceramic resonator oscillation	Murata	CSA12.0MTZ	33 pF	33 pF
		CST12.0MTW	on chip	
	Kyocera	KBR-12.0M	33 pF	33 pF
12 MHz ceramic resonator oscillation	Murata	CSA12.0MTZ021	33 pF	33 pF
		CST12.0MTW021	on chip	
	Kyocera	KBR-12.08M	33 pF	33 pF

* Both C1 and C2 must use K rank ($\pm 10\%$) and SL characteristics.

Table 1. Ceramic Resonator Oscillation Guaranteed Constant (main-clock)

Oscillation types	L	C3	C4
14.11 MHz LC oscillation	4.7 μ H	33 pF	45 pF (Trimmer)
	4.7 μ H $\pm 10\%$ (Variable)	33 pH	33 pH

* See Figures 11 and 12.

Table 2. LC oscillation Guaranteed Constant (OSD clock)

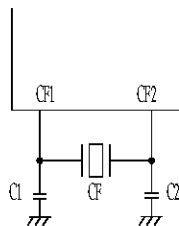
Oscillation types	Manufacturer	Oscillator	C5	C6	Rd
32.768 MHz crystal oscillation	Seiko Epson	C-002RX	10 pF	10 pF	0 k Ω

* Both C5 and C6 must use a J rank ($\pm 5\%$) and CH characteristics.

For applications which do not require accurate oscillation, use K rank ($\pm 10\%$) with SL characteristics.

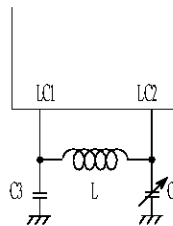
Table 3. Crystal Oscillation Guaranteed Constant (sub-clock)

- (Notes)
- Since the circuit pattern affects the oscillation frequency, place the oscillation-related parts as close to the oscillation pins as possible with the shortest possible pattern length.
 - If you use other oscillators herein, we provide no guarantee for the characteristics.
 - Adjust the voltage of monitor point in Figure 11 to $1/2V_{DD} \pm 10\%$ by the LC oscillation constant 'L' or 'C' to lock the PLL circuit.



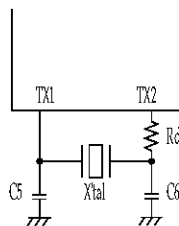
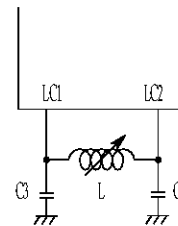
main clock

Figure 1 Ceramic Resonator Oscillation



OSD clock

Figure 2 LC Resonator Oscillation



main clock

Figure 3 Crystal Resonator Oscillation

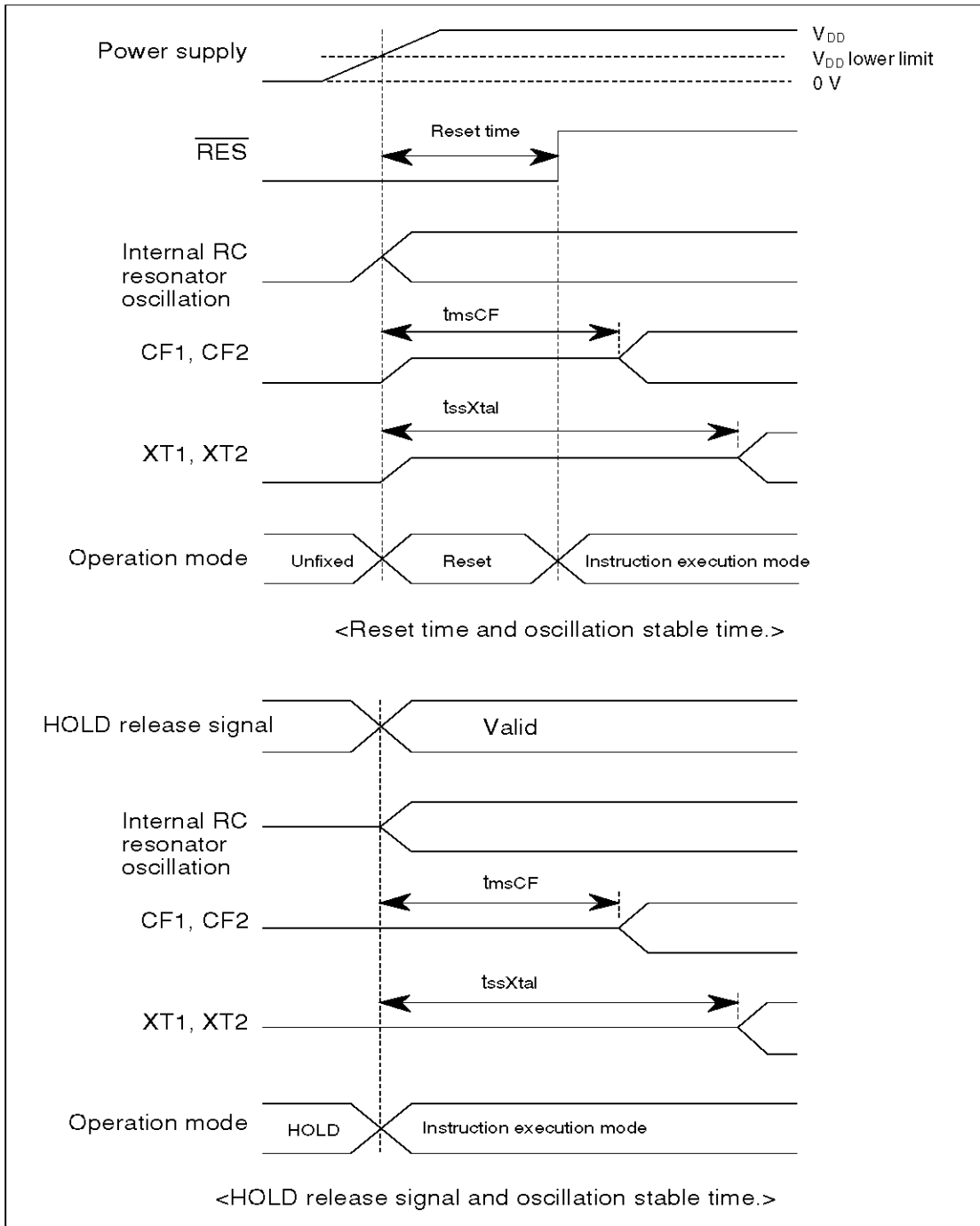
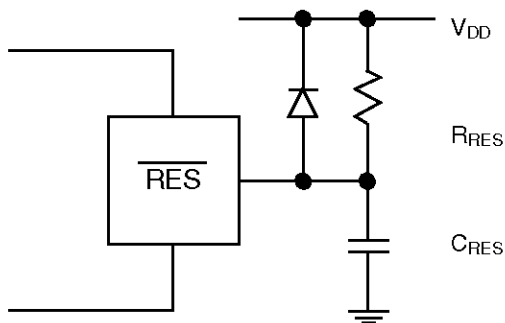


Figure 4 Oscillation Stable Time



(Note) Set the values of C_{RES} , R_{RES} so that the reset time is 200 μ s or longer.

Figure 5 Reset Circuit

LC86P4448

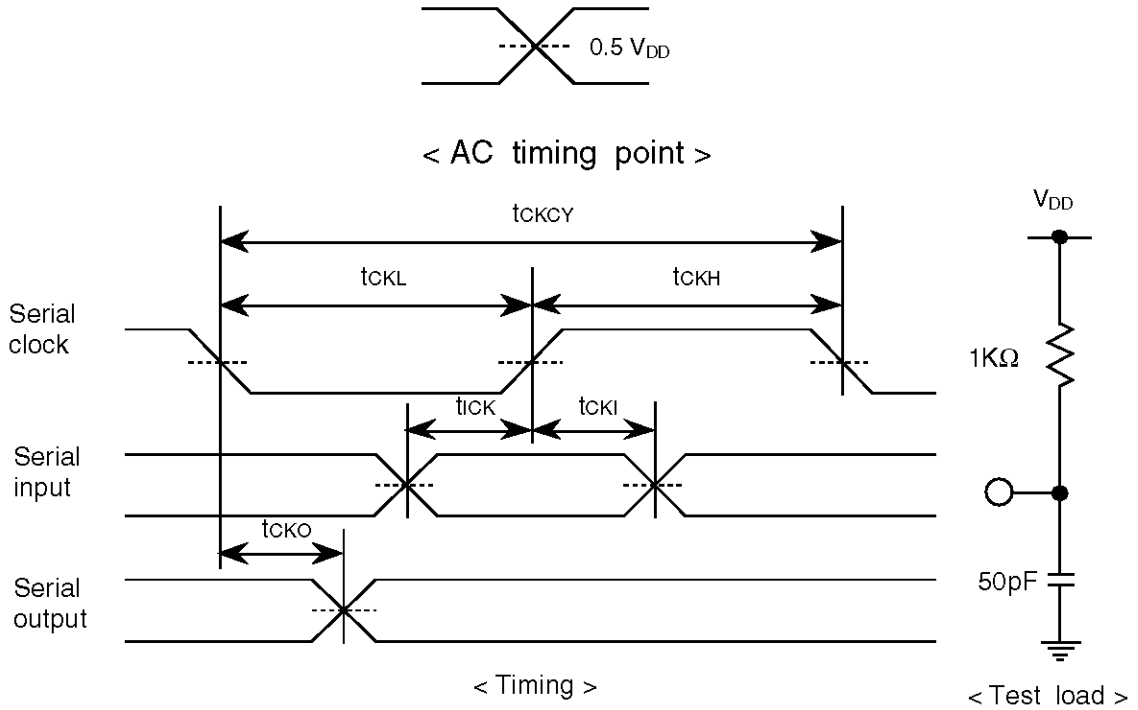


Figure 6 Serial Input/output Test Condition

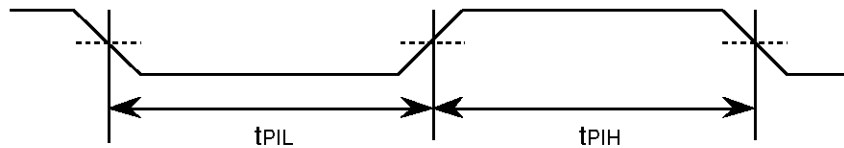


Figure 7 Pulse Input Timing Condition - 1

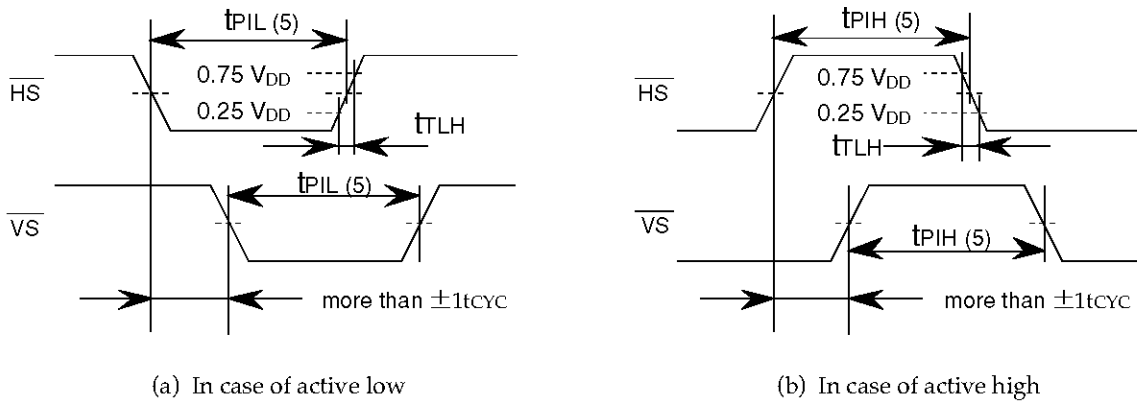


Figure 8 Pulse Input Timing Condition - 2

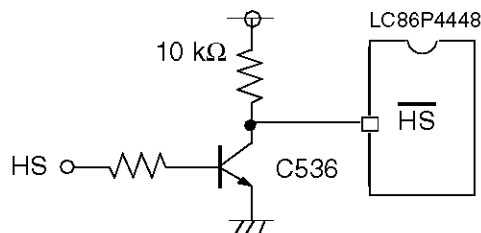


Figure 9 Recommended Interface Circuit

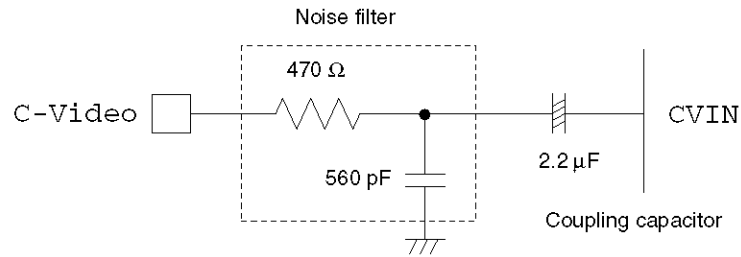


Figure 10 CVIN Recommended Circuit

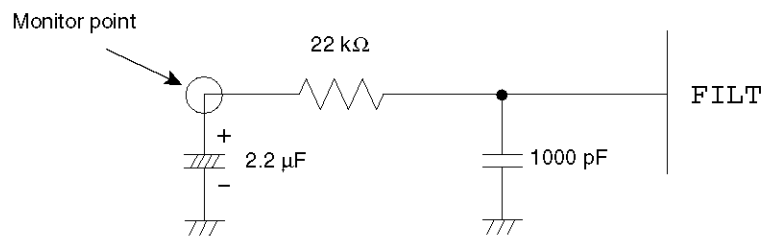


Figure 11 FILT Recommended Circuit

(Note) • Place the parts connected FILT terminal as close to the FILT as possible with the shortest pattern length on the board.

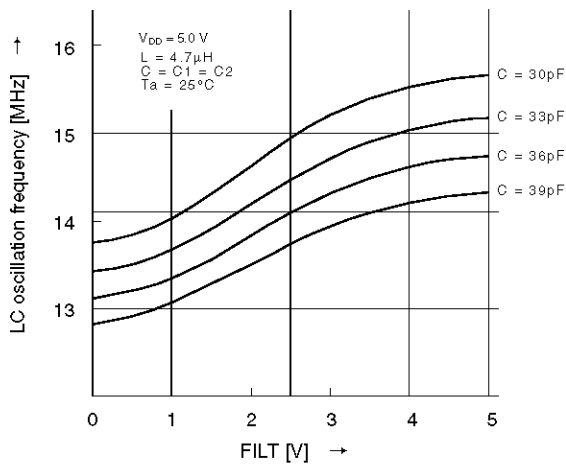


Figure 12 FILT-LC Oscillation Frequency(1)

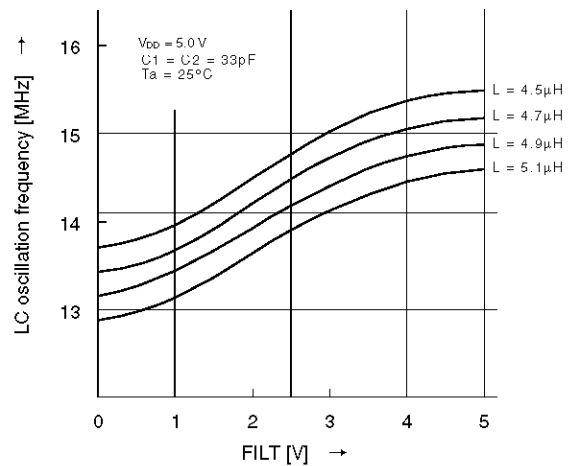


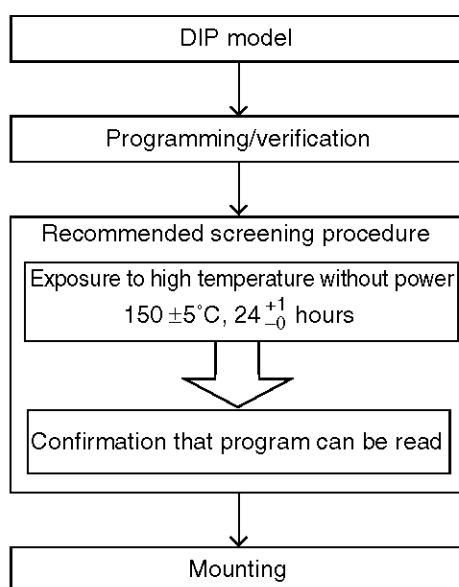
Figure 13 FILT-LC Oscillation Frequency(2)

Requirements Prior to Mounting

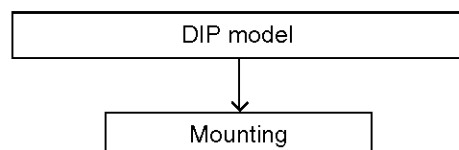
Notes on Handling

- The construction of one-time microcontrollers in which the PROM is not programmed precludes Sanyo from fully testing them before they are shipped. The screening procedure described below is recommended in order to attain higher reliability after programming the PROM.
- The nature of one-time microcontrollers in which the PROM is not programmed precludes us from fully testing them by writing all of the bits. Therefore, it is not possible for us to guarantee a write yield of 100%.
- Storage in moisture-proof packaging (unopened)
While they are still in the moisture-proof packaging, these devices should be stored at a temperature of 30°C and a humidity of no more than 70%.
- After opening the moisture-proof packaging
These devices should be mounted and soldered as soon as possible after the moisture-proof packaging is opened. Once the moisture-proof packaging is opened, the devices should be stored at a temperature of 30°C and a humidity of no more than 70% for no more than 96 hours.

- a. In the case of models that are programmed by the user (models that are shipped with the PROM not programmed)



- b. Requirements prior to mounting for models that are programmed by Sanyo (models that are shipped with the PROM already programmed)



- No products described or contained herein are intended for use in surgical implants, life-support systems, aerospace equipment, nuclear power control systems, vehicles, disaster/crime-prevention equipment and the like, the failure of which may directly or indirectly cause injury, death or property loss.
- Anyone purchasing any products described or contained herein for an above-mentioned use shall:
 - ① Accept full responsibility and indemnify and defend SANYO ELECTRIC CO., LTD., its affiliates, subsidiaries and distributors and all their officers and employees, jointly and severally, against any and all claims and litigation and all damages, cost and expenses associated with such use
 - ② Not impose any responsibility for any fault or negligence which may be cited in any such claim or litigation on SANYO ELECTRIC CO., LTD., its affiliates, subsidiaries and distributors or any of their officers and employees jointly or severally.
- Information (including circuit diagrams and circuit parameters) herein is for example only; it is not guaranteed for volume production. SANYO believes information herein is accurate and reliable, but no guarantees are made or implied regarding its use or any infringements of intellectual property rights or other rights of third parties.

This catalog provides information as of February, 1998. Specifications and information herein are subject to change without notice.