

LA7285, 7285M**SANYO****VCR Audio Signal Recording
and Playback Processor****Overview**

The LA7285 and LA7285M include on chip all functions required for the record and playback of VCR audio signals. In addition, the inclusion of a switching circuit for switching between tuner and line input in addition to the circuits provided by earlier ICs makes the LA7285 truly optimal for audio VCR products.

Functions

- Equalizer amplifier
- Line amplifier
- Recording/playback switch
- Recording amplifier
- Mute
- SP, LP, EP switch
- Ripple filter
- ALC
- Tape head switch
- Line/tuner input switch

Features

- Built-in input switching circuit (for the line and tuner inputs).
- Smaller package leaves large space for other components.
- Equalizer input/output capacitors not required.
- Low gain variation eliminates the need for external adjustment.
- Supply voltage : 9V and 12V operation.

Specifications**Maximum Ratings at Ta = 25°C**

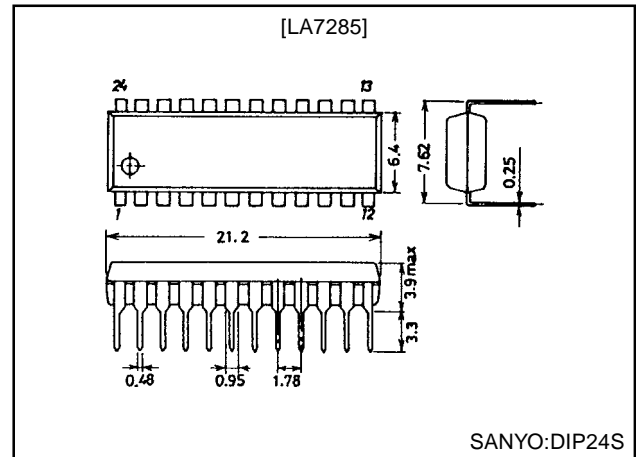
| Parameter | Symbol | Conditions | Ratings | Unit |
|-----------------------------|-------------|-----------------------|-------------|------|
| Maximum supply voltage | V_{CCmax} | | 14 | V |
| Pin1 input voltage | V_{IN1} | DC | +65 | Vp-p |
| Pin1 input current | V_{IN1} | | ±1.5 | mA |
| Allowable power dissipation | $P_d max$ | $T_a \leq 65^\circ C$ | 400 | mW |
| Operating temperature | T_{opr} | | -10 to +65 | °C |
| Storage temperature | T_{stg} | | -55 to +150 | °C |

Operating Conditions at Ta=25°C

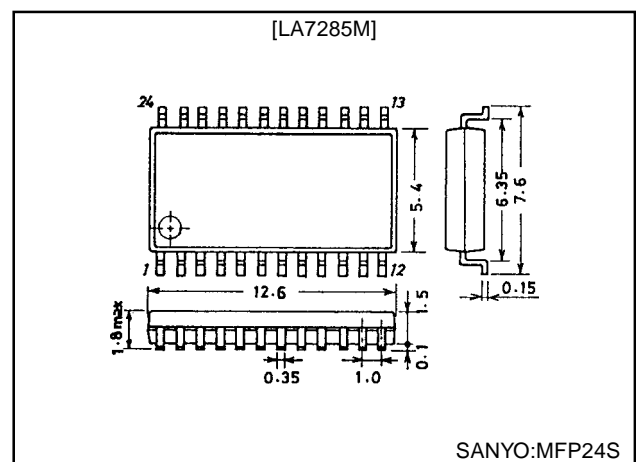
| Parameter | Symbol | Conditions | Ratings | Unit |
|--------------------------------|------------|------------|--------------|------|
| Recommended supply voltage | V_{CC} | | 12 | V |
| Operating supply voltage range | V_{CCop} | | 8.5 to 12.75 | V |

Package Dimensions

unit:mm

3067-DIP24S

unit:mm

3112-MFP24S

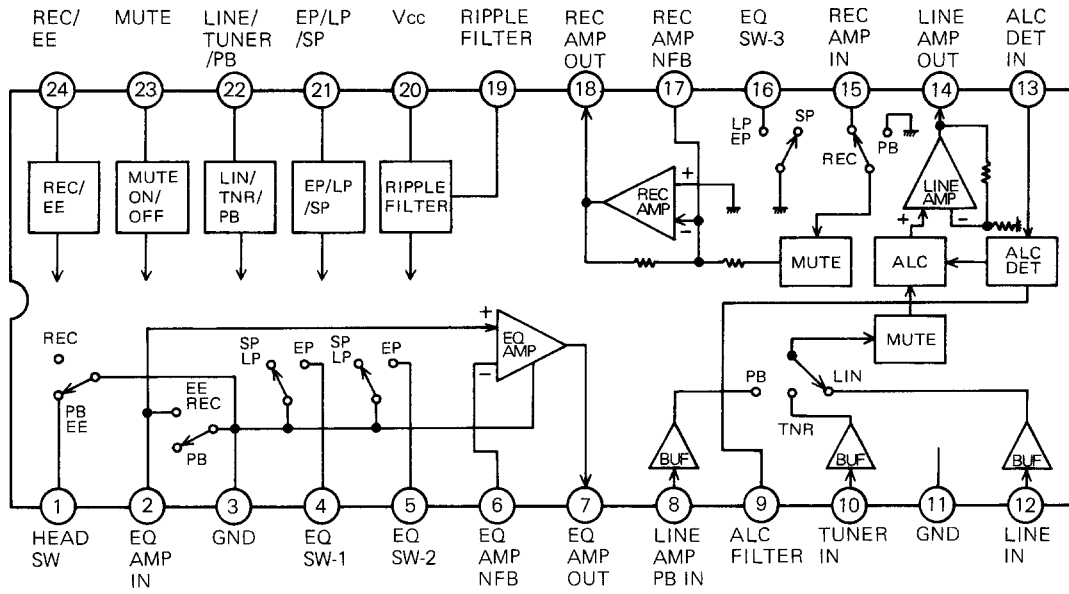
LA7285, 7285M

Operating Characteristics at Ta=25°C, V_{CC}=12V, f=1kHz, 0dBV : 1.0 Vrms

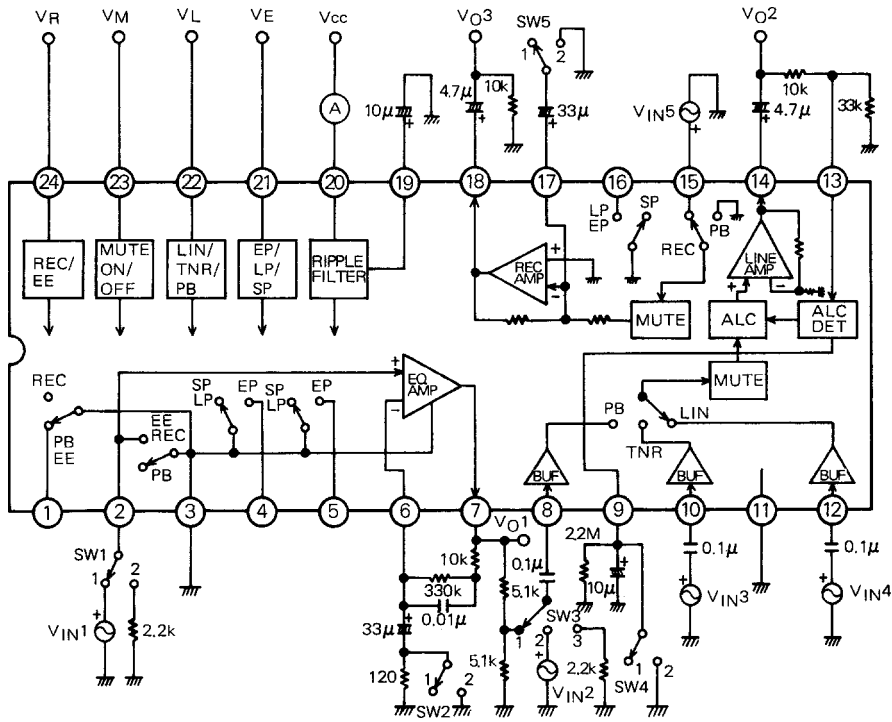
| Parameter | Symbol | Conditions | Ratings | | | Unit |
|--------------------------------|--|---|---------|------|-----------------|-------|
| | | | min | typ | max | |
| Current consumption (EE) | I _{CCE} | No signal | 9.5 | 13.0 | 16.5 | mA |
| Current consumption (PB) | I _{CCP} | No signal | 9.5 | 13.0 | 16.5 | mA |
| Current consumption (REC) | I _{CCR} | No signal | 8.0 | 11.0 | 14.0 | mA |
| [Equalizer amplifier] | | | | | | |
| Open-circuit voltage gain | V _{GOE} | V _O =-7dBV | 66.0 | 71.0 | | dB |
| Equivalent input noise voltage | V _{NIE} | Rg=2.2kΩ, DIN Audio filter | | 1.2 | 1.8 | μVrms |
| [Line amplifier] | | | | | | |
| Voltage gain (PB input) | V _{GLP} | V _O =-7dBV | 21.0 | 21.5 | 22.0 | dB |
| Voltage gain (EE, LINE input) | V _{GLE} , V _{GLL} | V _O =-7dBV | 21.0 | 21.5 | 22.0 | dB |
| Total harmonic distortion | THD _L | V _O =-7dBV | | 0.05 | 0.3 | % |
| Output noise voltage | V _{NOL} | Rg=2.2kΩ, DIN Audio filter | | -72 | -66 | dBV |
| Maximum output voltage | V _{OML} | THD=1% | 1.5 | 2.1 | | Vrms |
| Output voltage when ALC is on | V _{OA} | V _{IN} =-27dBV | -8.0 | -7.0 | -6.0 | dBV |
| ALC effect | ALC | V _{IN} =-27dBV to -7dBV | | 1.0 | 3.0 | dB |
| Distortion when ALC is on | THD _A | V _{IN} =-27dBV | | 0.05 | 0.6 | % |
| [Recording amplifier] | | | | | | |
| Voltage gain (open) | V _{GOR} | V _O =-7dBV | 47.0 | 52.0 | | dB |
| Voltage gain (colse) | V _{GOR} | V _O =-7dBV | 12.5 | 13.0 | 13.5 | dB |
| Total harmonic distortion | THD _R | V _O =-7dBV | | 0.1 | 0.3 | % |
| Maximum output voltage | V _{OMR} | THD=1% | 1.5 | 2.0 | | Vrms |
| [Mute circuit] | | | | | | |
| On voltage | V _{MON} | Pin 23 DC voltage | 2.5 | | 6.0 | V |
| Off voltage | V _{MOFF} | Pin 23 DC voltage | 0 | | 1.5 | V |
| Mute attenuation (PB,EE) | M _{P,ME} | | 80 | 90 | | dB |
| Mute attenuation (REC) | M _R | | 65 | 75 | | dB |
| [EP, LP, SP switch circuit] | | | | | | |
| EP mode hold voltage | V _{EE} | Pin 21 DC voltage | 3.6 | | 6.0 | V |
| LP mode hold voltage | V _{EL} | Pin 21 DC voltage | 1.8 | | 2.6 | V |
| SP mode hold voltage | V _{ES} | Pin 21 DC voltage | 0 | | 1.0 | V |
| [Line/Tuner PB switch circuit] | | | | | | |
| Line mode hold voltage | V _{LL} | Pin 22 DC voltage | 3.6 | | 6.0 | V |
| Tuner mode hold voltage | V _{LT} | Pin 22 DC voltage | 1.8 | | 2.6 | V |
| PB mode hold voltage | V _{LP} | Pin 22 DC voltage | 0 | | 1.0 | V |
| [REC, EE switch circuit] | | | | | | |
| REC mode hold voltage | V _{RR} | Pin 24 DC voltage | 3 | | V _{CC} | V |
| EE mode hold voltage | V _{RE} | Pin 24 DC voltage | 0 | | 1.0 | V |
| [Head Select Switch] | | | | | | |
| Pin 1 on resistance | R _{ON1} | I1=±1mA | | 20 | 30 | Ω |
| Pin 2 on resistance | R _{ON2} | I2=±1mA | | 5 | 10 | Ω |
| Pin 2 input voltage | V _{IN1} | Ta=65°C, f=80kHz (sin), I _{LK} =10μA | | | ±45 | V |

LA7285, 7285M

Block Diagram



Test Circuit



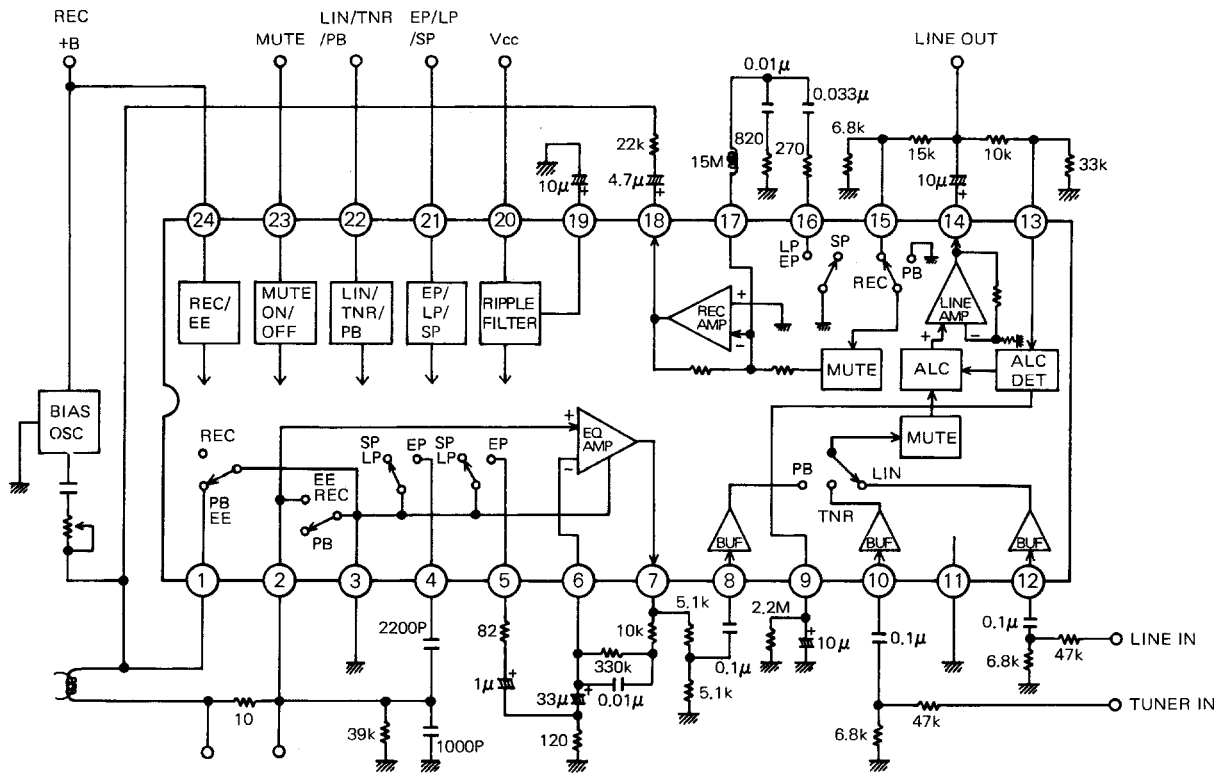
Unit (resistance:Ω, capacitance:F)

LA7285, 7285M

Switch Operation Table

| Test item (symbol) | SW1 | SW2 | SW3 | SW4 | SW5 | V _M | V _L | V _R | Input | Measure |
|--|-----|-----|-----|-----|-----|----------------|----------------|----------------|-------------------------------------|-----------------|
| I _{CCE} | 2 | 1 | 1 | 2 | 1 | GND | 5V | GND | – | A |
| I _{CCP} | 2 | 1 | 1 | 2 | 1 | GND | GND | GND | – | A |
| I _{CCR} | 2 | 1 | 1 | 2 | 1 | GND | 5V | 5V | – | A |
| V _{GOE} | 1 | 2 | 3 | 2 | 1 | GND | GND | GND | V _{IN1} | V _{O1} |
| V _{NIE} | 2 | 1 | 3 | 2 | 1 | GND | GND | GND | – | V _{O1} |
| V _{GLP} , THD _L , V _{OML} | 2 | 1 | 2 | 2 | 1 | GND | GND | GND | V _{IN2} | V _{O2} |
| V _{GLE} , V _{GLL} | 2 | 1 | 1 | 2 | 1 | GND | 2.5V, 5V | GND | V _{IN3} , V _{IN4} | V _{O2} |
| V _{NOL} | 2 | 1 | 3 | 2 | 1 | GND | 5V | GND | – | V _{O2} |
| V _{OA} , ALC, THD _A | 2 | 1 | 3 | 1 | 1 | GND | 2.5V, 5V | GND | V _{IN3} , V _{IN4} | V _{O2} |
| V _{GOR} | 2 | 1 | 3 | 2 | 2 | GND | 5V | GND | V _{IN5} | V _{O3} |
| V _{GOR} , THD _R , V _{OMR} | 2 | 1 | 3 | 2 | 1 | GND | 5V | GND | V _{IN5} | V _{O3} |
| M _P | 1 | 1 | 1 | 2 | 1 | 5V | GND | GND | V _{IN1} | V _{O2} |
| M _R | 2 | 1 | 1 | 2 | 1 | 5V | 5V | GND | V _{IN5} | V _{O3} |
| M _E | 2 | 1 | 3 | 2 | 1 | 5V | 5V | GND | V _{IN2} | V _{O2} |

Sample Application Circuit



Unit (resistance:Ω, capacitance:F)

LA7285, 7285M

Pin Function

Unit (resistance:Ω)

| Pin No. | Function name | Internal circuit for pin | Description of function |
|---------|--|--------------------------|---|
| 1 | Head switch1 (high withstand voltage) | | EE, PB → off, REC → off On resistance → 20Ω (typ) Withstand voltage when off → ±45V (f=80kHz) |
| 2 | EQ AMP input and Head switch2 | | Input impedance for playback signal input from head → 80kΩ (typ) EE, REC → on PB → off On resistance → 5Ω (typ) |
| 3 | GND | | GND for pin 1 head switch and Equalizer Amplifier only |
| 4 | EP mode switch1 | | Use to change tape heads and resonant frequency. On resistance → 15Ω (typ) Input impedance → 10kΩ (typ) (EP mode) |
| 5 | EP mode switch2 | | Switches the Playback Equalizer Amplifier high-region frequency voltage gain. On resistance → 15kΩ (typ) Input impedance → 10kΩ (typ) (EP mode) |
| 6 | EQ AMP NFB | | Equalizer Amplifier negative feedback pin |
| 7 | EQ AMP output | | |
| 8 | LINE AMP PB input | | Inputs the playback signal from the Equalizer Amplifier. Because the input impedance is as high as 110kΩ, a 0.1μF ceramic capacitor can be used for the coupling capacitor on pin 8. |
| 9 | ALC FILTER | | Wave detection is performed when connected to GND through a capacitor. In addition, the attack and recovery time is set by C and R time constants. |
| 10 | TUNER input | | Inputs EE and REC signals. The reference input is set by resistors R1 and R2. The amplifier gain is fixed at 21.5dB. In addition, because the input impedance is as high as 110kΩ, a 0.1μF ceramic capacitor can be used for the coupling capacitor on pin 10. |
| 11 | GND | | GND for all circuit blocks except the head switch and Equalizer Amplifier. |

Continued to next page.

LA7285, 7285M

Continued from proceeding page.

Unit (resistance:Ω)

| Pin No. | Function name | Internal circuit for pin | Description of function |
|---------|-----------------------------------|---|--|
| 12 | LINE input | | <p>Inputs EE and RE signals.</p> <p>The reference input is set by resistors R1 and R2. The amplifier gain is fixed at 21.5 dB. In addition, because the input impedance is as high as 110kΩ, a 0.1μF ceramic capacitor can be used for the coupling capacitor on pin 12.</p> |
| 13 | ALC input wave detection | | <p>Inputs the Line Amplifier output signal. The ALC level is set by the resistors R1 and R2.</p> |
| 14 | LINE AMP output | | Output impedance → 50Ω (typ) |
| 15 | REC AMP input | | <p>Inputs the recording signal from Line Amplifier.</p> <p>The recording current is set by the resistors R1 and R2. A coupling capacitor is unnecessary as pin 15 is a zero bias input.</p> |
| 16 | LP mode switch | | <p>Used to adjust the high-region peaking frequency during recording amplifier in LP mode.</p> <p>On resistance → 15Ω (typ) Input impedance → 50Ω (typ)</p> |
| 17 | REC AMP NFB | | Recording amplifier negative-feedback input. Used to adjust the high-region peaking frequency of the recording amplifier with an L, C, R network connected to ground. |
| 18 | REC AMP output | | Output impedance → 40Ω (typ) |
| 19 | Ripple filter | <p>Power supply of each circuit block</p> | Ripple rejection is performed when connected to GND through an electrolytic capacitor for the filter. |
| 20 | Supply voltage (V _{CC}) | | V _{CC} max=14V V _{CC} =8.5V to 12.75V |
| 21 | EP/LP/SP Control | | <p>When the voltage on pin 21 is 3.6V to 6.0V:EP; when 1.8V to 2.6V:LP; when 0V to 1.8V:SP Switch On Pin Number EP mode:4,5,16 LP mode:16</p> |

Continued to next page.

LA7285, 7285M

Continued from proceeding page.

Unit (resistance:Ω)

| Pin No. | Function name | Internal circuit for pin | Description of function |
|---------|-----------------------|--------------------------|---|
| 22 | LINE/TUNER/PB Control | | When the voltage on pin 22 is 3.6V to 6.0V:LINE; when 1.8V to 2.6V:TUNER when 0V to 1.0V:PB |
| 23 | MUTE Control | | When the voltage on pin 23 is 2.5V to 6.0V:MUTE on; when 0V to 1.5V:MUTE off |
| 24 | REC/EE Control | | When the voltage on pin 24 is 2.5V to V_{CC} :REC; when 0V to 1.0V:EE |

■ No products described or contained herein are intended for use in surgical implants, life-support systems, aerospace equipment, nuclear power control systems, vehicles, disaster/crime-prevention equipment and the like, the failure of which may directly or indirectly cause injury, death or property loss.

■ Anyone purchasing any products described or contained herein for an above-mentioned use shall:

- ① Accept full responsibility and indemnify and defend SANYO ELECTRIC CO., LTD., its affiliates, subsidiaries and distributors and all their officers and employees, jointly and severally, against any and all claims and litigation and all damages, cost and expenses associated with such use:
- ② Not impose any responsibility for any fault or negligence which may be cited in any such claim or litigation on SANYO ELECTRIC CO., LTD., its affiliates, subsidiaries and distributors or any of their officers and employees jointly or severally.

■ Information (including circuit diagrams and circuit parameters) herein is for example only; it is not guaranteed for volume production. SANYO believes information herein is accurate and reliable, but no guarantees are made or implied regarding its use or any infringements of intellectual property rights or other rights of third parties.

This catalog provides information as of May, 1998. Specifications and information herein are subject to change without notice.