



LA7680, 7681

Single-Chip Signal Processor for Color TV Use

Overview

The LA7680 and LA7681 signal processors provide all the components required to decode PAL or NTSC Color television signals. On-chip circuits include VIF, SIF, a video processor, a chroma demodulator, and deflection drivers. The self-adjusting signal processors support vertical field scanning rates of both 50 and 60Hz, allowing the LA7837 and LA7838 vertical output drivers to maintain a constant picture height.

The LA7681 replaces the LA7680's G-Y output at pin 22 with a color contrast signal for input to a SECAM chroma demodulator. This contrast signal is fixed at the maximum.

The LA7680/7681 is available in 48-pin shrink DIPs.

Features

- Minimized external components.
- 48-pin shrink DIP.

VIF/SIF

- High-gain VIF amplifier.
- Fast-response automatic gain control (AGC).
- No delay between audio input and output.
- Muting for both audio and video signals or for audio alone.

Video processor

- On-chip two-dimensional differential circuit.
- Variable current transfer.
- 7MHz bandwidth.

Chroma demodulator

- PAL and NTSC system compatible.
- Optimized demodulation angles and ratios.
- High performance burst cleaning filter and ACC/killer detector.
- On-chip tint circuit (NTSC only).

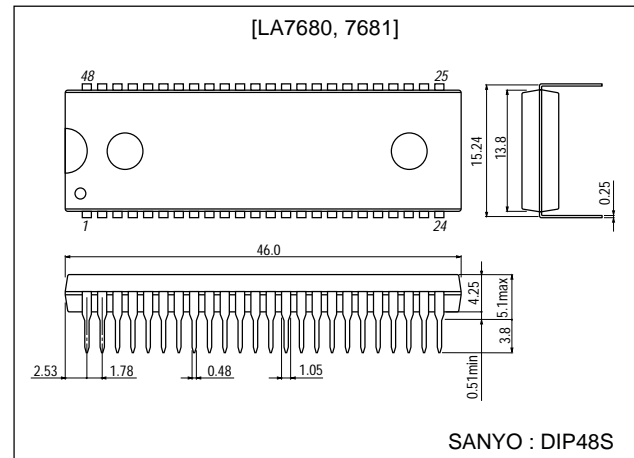
Deflection drivers

- Adjustment-free vertical or horizontal synchronization.
- Two-stage automatic frequency control.
- Adjustable separation sensitivity for vertical synchronization.
- Fixed picture height for both PAL and NTSC.
- Fixed picture height.

Package Dimensions

unit:mm

3149-DIP48S



■ Any and all SANYO products described or contained herein do not have specifications that can handle applications that require extremely high levels of reliability, such as life-support systems, aircraft's control systems, or other applications whose failure can be reasonably expected to result in serious physical and/or material damage. Consult with your SANYO representative nearest you before using any SANYO products described or contained herein in such applications.

■ SANYO assumes no responsibility for equipment failures that result from using products at values that exceed, even momentarily, rated values (such as maximum ratings, operating condition ranges, or other parameters) listed in products specifications of any and all SANYO products described or contained herein.

SANYO Electric Co., Ltd. Semiconductor Company

TOKYO OFFICE Tokyo Bldg., 1-10, 1 Chome, Ueno, Taito-ku, TOKYO, 110-8534 JAPAN

30801TN (KT)/32593TS/6290TA KI 8-6402, 6403 No.3343-1/10

LA7680, 7681

Specifications

Maximum Ratings at Ta = 25°C

Parameter	Symbol	Conditions	Ratings	Unit
Input voltage	V ₁₃ max		12	V
	V ₁₁ max		12	V
Input current	I ₂₅ max		16	mA
Allowable power dissipation	Pd max	Ta≤65°C	1.35	W
FBP input current	I ₂₆ max		5	mA
	I ₂₄ max		10	mA
FBP input voltage	V ₂₆ min		-5	V
Operating temperature	T _{opr}		-10 to +65	°C
Storage temperature	T _{stg}		-55 to +150	°C

Recommended Operating Conditions at Ta = 25°C

Parameter	Symbol	Conditions	Ratings	Unit
Supply voltage	V ₁₃		9	V
	V ₁₁		9	V
Supply current	I ₂₅		13	mA
Operating voltage range	V ₁₃ op		8 to 10	V
	V ₁₁ op		8 to 10	V
Operating current range	I ₂₅ op		10 to 16	mA

Operating Characteristics at Ta = 25°C, V_{CC}=V₁₃=V₁₁=9V, I_{CC}=I₂₅=13mA

Parameter	Symbol	Conditions	Ratings			Unit
			min	typ	max	
[Supply characteristics]						
Horizontal supply voltage	V ₂₅		7.0	7.5	8.0	V
Supply current	I ₁₁₊₁₃		90	110	140	mA
[VIF characteristics] fp=38.9MHz						
Video output voltage	V ₄₂	With no inputs	4.2	4.6	5.0	V
AFT output voltage	V ₄₄	With no inputs	2.8	4.2	5.7	V
Maximum RF AGC voltage	V _{46H}	CW=85dBμ, RF AGC, VR=min	7.6	8.0	8.3	V
Minimum RF AGC voltage	V _{46L}	CW=85dBμ, RF AGC, VR=max	0	0.01	0.3	V
Input sensitivity	V _i	VIF input level generating 0.8Vp-p video output with 40% modulation	30	36	42	dBμ
AGC range	GR	Maximum input (Vo=0.8Vp-p), less input sensitivity	60	68		dB
Maximum input	V _i max	VIF input level generating +1dB video output	100	107		dBμ
Video output amplitude	V _{O42}	V _i =80dBμ, AM=78% MOD	1.7	2.0	2.3	Vp-p
Differential gain	DG	V _i =80dBμ, 87.5% video MOD		3.0	10	%
Differential phase	DP	V _i =80dBμ, 87.5% video MOD		3.0	10	°C
Video signal-to-noise ratio	S/N	V _i =80dBμ, 20log $\frac{1.43 (Vp-p)}{\text{noise (Vrms)}}$	47	53		dB
Sync signal tip level	V _{42TIP}	CW=80dBμ	2.0	2.3	2.6	V
Frequency characteristic	fc	Frequency generating -3dB video output	7	10		MHz
VIF intermodulation	I _{1.07}	V _i 4.43MHz/√1.07MHz, V _i =80dBμ	35	42		dB
Maximum AFT output voltage	V _{44H}	CW=80dBμ, over a range of frequencies	8.0	8.3	8.7	V
Minimum AFT output voltage	V _{44L}	CW=80dBμ, over a range of frequencies	0.2	0.4	0.9	V
AFT detector sensitivity	Sf	CW=80dBμ, over a range of frequencies	35	60	90	mV/kHz
AFT defeat switching voltage	V _{AFT SW}	Measured at sweep signal	1.0	5.0		V
Black noise threshold	V _{BTH}	Measured at sweep signal	1.2	1.5	1.8	V
[SIF characteristics] fs=5.5MHz						
SIF limiting voltage	V _{lim}	SIF input level generating -3dB video output		45	52	dBμ
FM detector output voltage	V _{O1}	V _i =100dBμ, Δf=±30kHz	480	680	880	mVrms
FM detector output distortion	THD	V _i =100dBμ, Δf=±30kHz		0.4	1.0	%
AM rejection	AMR	V _i =100dBμ $\frac{\text{FM} : \Delta f=30\text{kHz}}{\text{AM} : 30\%}$	43	56		dB
AF amplifier voltage gain	G _{AF}	V _i =100mVrms, f=400Hz	18	20	22	dB
Maximum AF amplifier output voltage	V _{O5} max	Output level generating 10% AF amplifier output distortion	2.0	2.8		Vrms
Maximum attenuation for electronically variable resistors	ATT	V _i =200mVrms, f=400Hz	70	80		dB

Continued on next page.

LA7680, 7681

Continued from preceding page.

Parameter	Symbol	Conditions	Ratings			Unit
			min	typ	max	
[Video characteristics]						
Video softener range	ΔSoft	f=2MHz, 100mVp-p, voltage at video tone variable resistor, 4 to 0V	-6	-4	-2	dB
Video sharpener range	ΔSharp	f=2MHz, 100mVp-p, voltage at video tone variable resistor, 4 to 9V	7	10	13	dB
Video voltage gain	GV	f=100kHz, 100mVp-p, voltage at contrast variable resistor 9V, voltage at video tone variable resistor 4V	17	20	23	dB
Contrast control center setting	C_{CEN}	f=100kHz, 100mVp-p, voltage at contrast variable resistor 6V	0.45	0.57	0.69	Vp-p
Contrast control range	ΔC_V	f=100kHz, 100mVp-p, voltage at contrast variable resistor 3 to 9V	20	22	24	dB
Brightness control	BR_H	Voltage at brightness variable resistor 2V	5.8			V
	B_{TCEN}	Voltage at brightness variable resistor 4.5V	2.6	3.1	3.6	V
	BR_L	Voltage at brightness variable resistor 7V			1.2	V
Video frequency characteristic	f_V	Voltage at contrast variable resistor 6V, voltage at video tone variable resistor 4V, 3dB down	5	7		MHz
Direct current transfer rate	R_{DC}	200mVp-p staircase input	88	93		%
[PAL/NTSC chroma characteristics]						
Color control chrominance residue	$E_C \text{ min}$	Voltage at color variable resistor 0V, voltage at color contrast variable resistor 9V			30	mVp-p
LA7680 color contrast range	ΔC_C	Voltage at color variable resistor B-Y=2.5Vp-p, voltage at contrast variable resistor : 3 to 9V	18.5	20	21.5	dB
LA7681 Color contrast output voltage	V_{cout}	Voltage at color variable resistor 4.5V, voltage at contrast variable resistor 6V	5.8	6.0	6.1	V
Demodulator output DC voltage	$V_{\text{C-Y}}$	For burst signals only. Voltage at color variable resistor 0V	4.7	5.2	5.7	V
Demodulator output DC voltage difference	$\Delta V_{\text{C-Y}}$	For burst signals only. Voltage at color variable resistor 0V	-300	0	+300	mV
Demodulator output carrier leakage voltage	E_{car}				0.3	Vp-p
APC pull-in range	Δf_{APC}		± 500			Hz
[PAL chroma characteristics]						
Contrast control center setting	$E_C \text{ cen}$	Voltage at color variable resistor :4.5V (LA7680). Voltage at contrast variable resistor : 6V (LA7681)	1.0	1.5	2.0	Vp-p
			1.9	2.6	3.3	Vp-p
ACC amplitude characteristic	$\text{ACCM}1_p$	+6dB	-3	0	+3	dB
	$\text{ACCM}2_p$	-20dB	-5	-1	+1	dB
Demodulator output ratios	B/R_p	(Common to both LA7680 and LA7681)	1.50	1.78	2.00	
	G/R_p	With no B-Y signal (LA7680 only)	-0.56	-0.51	-0.46	
	G/B_p	With no R-Y signal (LA7680 only)	-0.21	-0.19	-0.17	
Demodulation angle	$\angle RB_p$		85	90	95	°C
Maximum chrominance output	E_{ch}	Voltage at color variable resistor 9V, voltage at contrast variable resistor 9V	1.0	1.5	2.0	Vp-p
Maximum demodulator output	E_{cmax}	Voltage at color variable resistor 9V, voltage at contrast variable resistor 9V	3.4	4.0		Vp-p
Killer trigger point	E_{konp}		-35	-31	-27	dB
[NTSC chroma characteristics]						
Contrast control center setting	$E_C \text{ cenN}$	Voltage at color variable resistor 4.5V (LA7680) Voltage at contrast variable resistor 6V (LA7681)	0.7	1.1	1.5	Vp-p
			1.3	1.8	2.3	Vp-p
ACC amplitude characteristic	$\text{ACCM}1_N$	+6dB	-3	0	+3	dB
	$\text{ACCM}2_N$	-20dB	-5		+1	dB
ACC phase characteristic	$\text{ACCP}1_N$	+6dB	-3	0	+3	°C
	$\text{ACCP}2_N$	-20dB	-7		+7	°C
Tint control center setting	T_{CEN}	Voltage at tint variable resistor 4.5V Voltage at color variable resistor 4.5V Voltage at contrast variable resistor 6V	-9	+3	+15	°C
Tint range	ΔT	Voltage at tint variable resistor 0 to 4.5 to 9V Voltage at color variable resistor 4.5V Voltage at contrast variable resistor 6V	± 40			°C
Demodulator output ratio	R/B_N		0.81	0.90	0.98	
	G/B_N	(LA7680)	0.24	0.3	0.38	
Demodulator angle	$\angle RB_N$		90	96	102	°C
	$\angle GB_N$	(LA7680)	-131	-121	-111	°C
Killer trigger point	E_{KONN}		-38	-34	-30	dB
Maximum demodulator output	E_{cmaxN}	Voltage at color variable resistor 9V, voltage at contrast variable resistor 9V	2.8	3.4		Vp-p

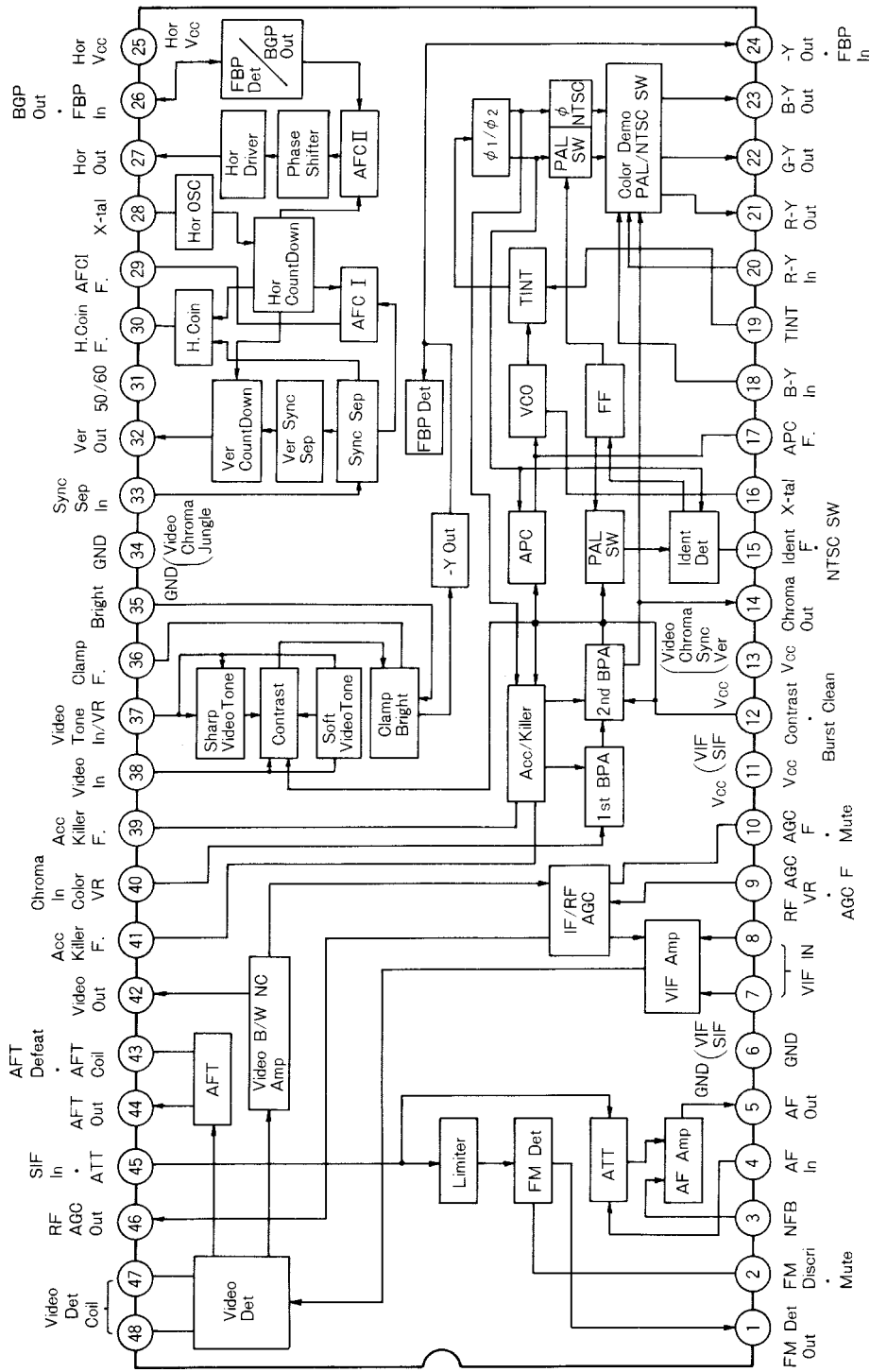
Continued on next page.

LA7680, 7681

Continued from preceding page.

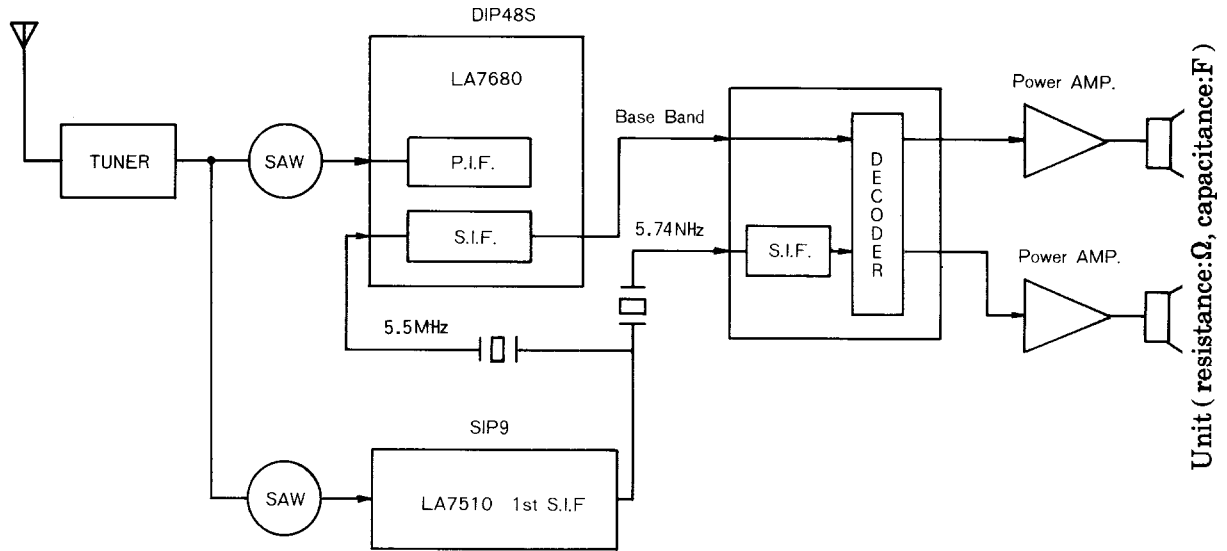
Parameter	Symbol	Conditions	Ratings			Unit
			min	typ	max	
[Deflection characteristics]						
Synchronization separator input voltage	V_{SDC}		6.0	6.3	6.6	V
Vertical free-running frequency (50Hz)	$T_{Vfree50}$			312.5		H
Vertical free-running frequency (60Hz)	$T_{Vfree60}$			262.5		H
Maximum vertical synchronization frequency (50Hz)	T_{Vmax50}	With horizontal synchronization signal only		357		H
Maximum vertical synchronization frequency (60Hz)	T_{Vmax60}	With horizontal synchronization signal only		297		H
Minimum vertical synchronization frequency (60Hz)	T_{Vmin60}			225		H
Minimum vertical synchronization frequency (50Hz)	T_{Vmin50}			269		H
Vertical blanking pulse level	$V_H VBL$		7.0	7.5		V
Vertical blanking pulse width (50Hz)	P_{WBLK50}			21.5		H
Vertical blanking pulse width (60Hz)	P_{WBLK60}			17.5		H
Vertical output pulse width	P_{WVOUT}			8.5		H
Vertical output voltage	V_{OUTH}		5.7	6	6.3	V
	V_{OUTM}		4.3	4.6	4.9	V
	V_{OUTL}				0.3	V
Vertical deflection external trigger load impedance	R_{TR}		2.5	3.6		k Ω
Vertical deflection automatic synchronization cutoff voltage	V_{SAS}			1.9	2.4	V
Vertical output pulse V_{CC} starting level	S_{VV}				4	V
Horizontal free-running frequency deviation	Δf_H	Deviation from 15.680kHz	-100	0	+100	Hz
Horizontal free running frequency dependence on V_{CC}	$\Delta f_H V_{CC}$	$V_{25}=6.6V$ (reference value)		2		Hz
Horizontal pull-in range	$f_H PULL$	Deviation from 15.680kHz	± 450			Hz
Horizontal output pulse V_{CC} starting level	S_{HV}			4.3	5	V
AFC II FBP peak level	FBP_H		4.1	4.6	5.1	V
VCR switch input level	V_{CR}			1.3	2.0	V
Horizontal output pulse width	P_{WHOUT}		21.8	23.8	25.8	μs
Horizontal output pulse phase	H_{PF}			12		μs
	H_{PCEN}		3.4	4.4	5.4	μs
	H_{PR}				0	μs
Burst gate pulse width	P_{WBGP}		2.7	3.7	4.7	μs
Burst gate pulse phase	T_{dBGP}		0.2	0.6	1.2	μs
Horizontal synchronization detector, threshold level	H_{COIN}		4.2	4.5	4.8	V
50/60Hz, output voltage	V_{50}			0.4	0.5	V
	V_{60}		2.8	3.5		V
50/60Hz, input voltage	V_{in60}				8.7	V
	V_{in50}		0.15			V

Block Diagram : PAL/NTSC System

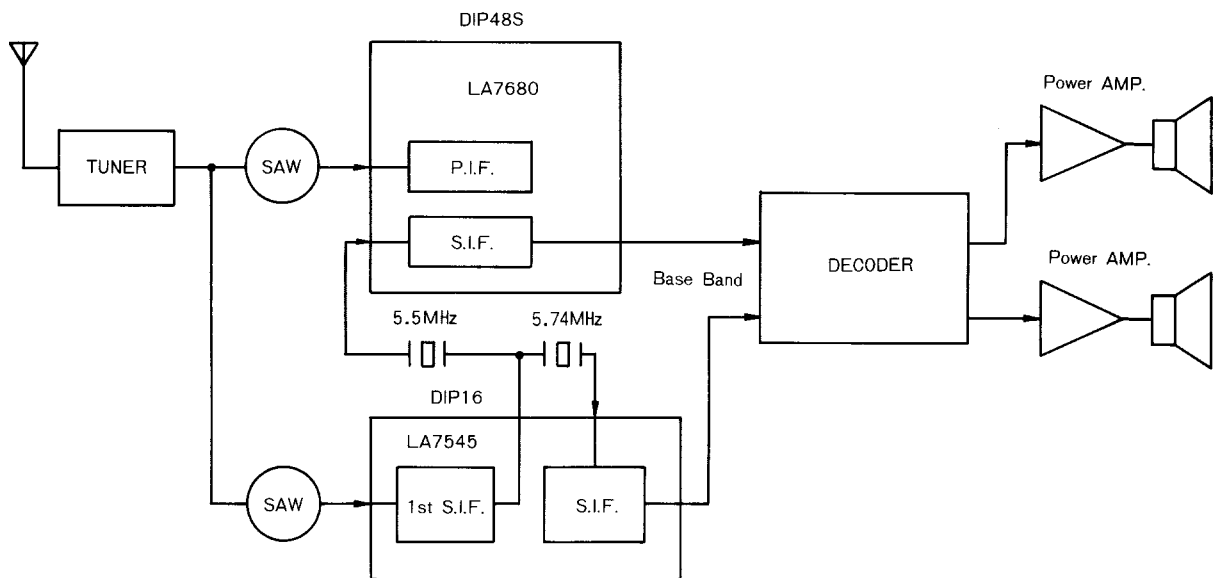


LA7680, 7681

PAL Multi-sound System

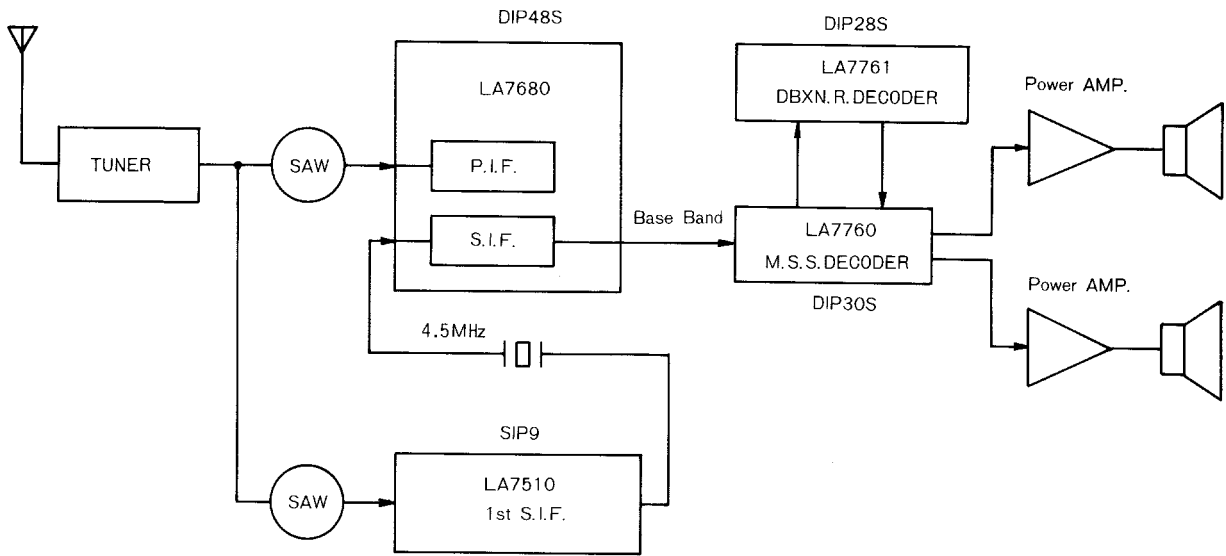


PAL Multi-sound System

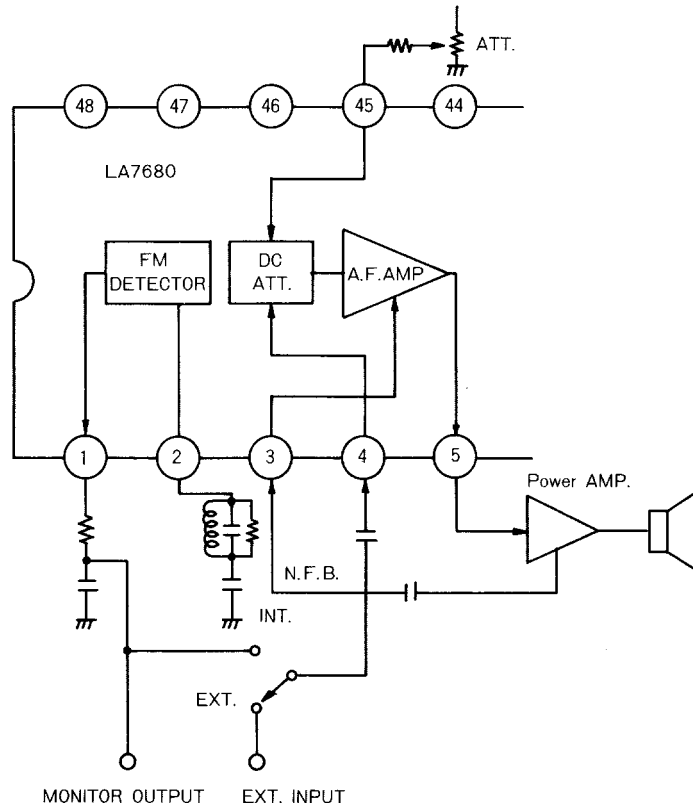


LA7680, 7681

U.S. Multi-sound System

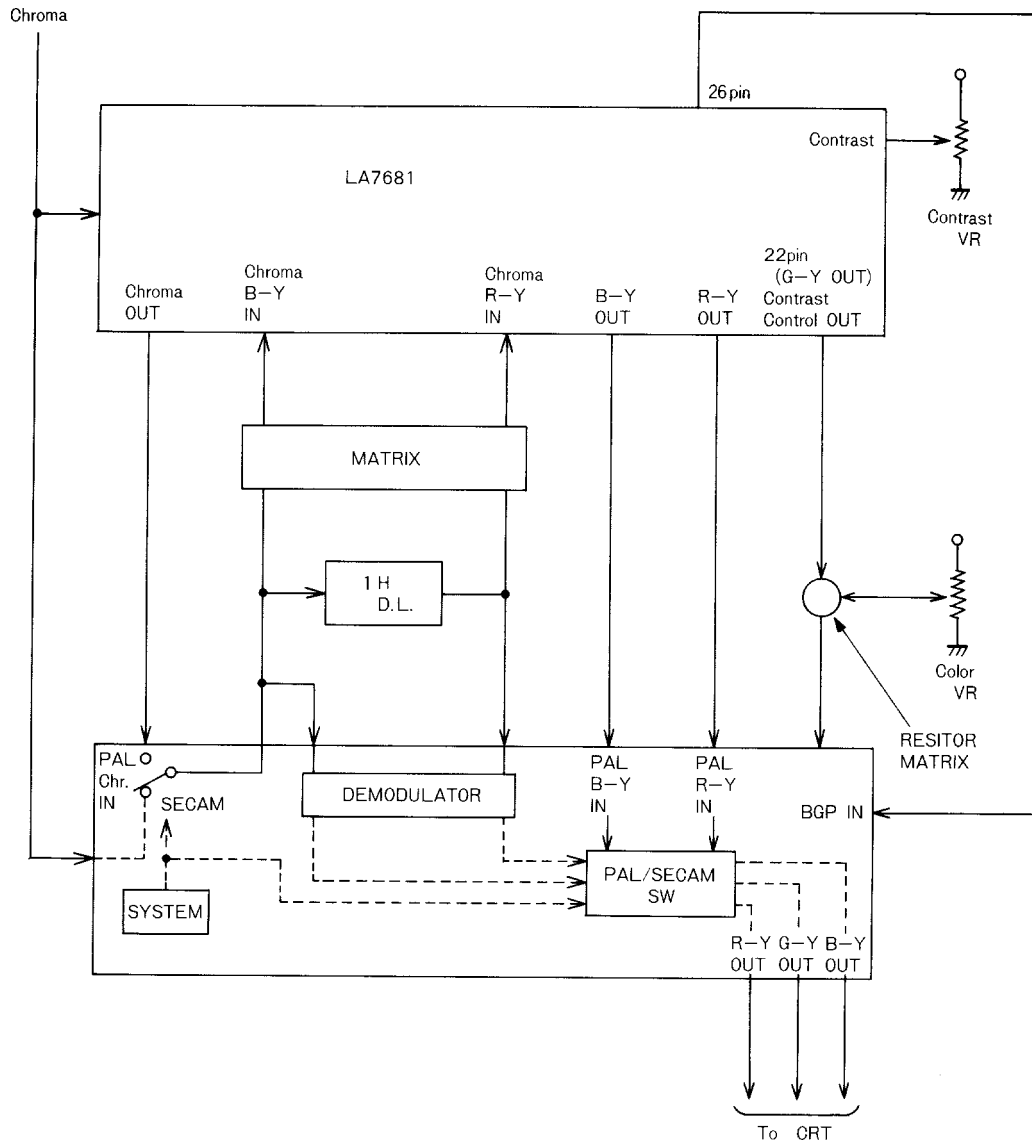


Sound Input/Output



LA7680, 7681

PAL/SECAM Chroma Demodulator Interface



Note : The LA7680 may be used with the transcode type of SECAM chroma demodulators.

- Specifications of any and all SANYO products described or contained herein stipulate the performance, characteristics, and functions of the described products in the independent state, and are not guarantees of the performance, characteristics, and functions of the described products as mounted in the customer's products or equipment. To verify symptoms and states that cannot be evaluated in an independent device, the customer should always evaluate and test devices mounted in the customer's products or equipment.
- SANYO Electric Co., Ltd. strives to supply high-quality high-reliability products. However, any and all semiconductor products fail with some probability. It is possible that these probabilistic failures could give rise to accidents or events that could endanger human lives, that could give rise to smoke or fire, or that could cause damage to other property. When designing equipment, adopt safety measures so that these kinds of accidents or events cannot occur. Such measures include but are not limited to protective circuits and error prevention circuits for safe design, redundant design, and structural design.
- In the event that any or all SANYO products(including technical data, services) described or contained herein are controlled under any of applicable local export control laws and regulations, such products must not be exported without obtaining the export license from the authorities concerned in accordance with the above law.
- No part of this publication may be reproduced or transmitted in any form or by any means, electronic or mechanical, including photocopying and recording, or any information storage or retrieval system, or otherwise, without the prior written permission of SANYO Electric Co., Ltd.
- Any and all information described or contained herein are subject to change without notice due to product/technology improvement, etc. When designing equipment, refer to the "Delivery Specification" for the SANYO product that you intend to use.
- Information (including circuit diagrams and circuit parameters) herein is for example only ; it is not guaranteed for volume production. SANYO believes information herein is accurate and reliable, but no guarantees are made or implied regarding its use or any infringements of intellectual property rights or other rights of third parties.

This catalog provides information as of March, 2001. Specifications and information herein are subject to change without notice.