

**SANYO**

NO.2846A

**LB1731****High-Voltage, Current-Sink  
Output Driver****Overview**

The LB1731 is a 4-channel high-voltage current sink output driver. Inputs are active-low CMOS/TTL logic-level, and outputs are high-voltage open-collector NPN Darlington pairs.

Each driver in the LB1731 sinks up to 1.5A and withstands collector voltages of up to 85V.

The LB1731 is available in a 16-pin DIP package.

**Features**

- Four independent high-voltage high-current drivers
- Output clamp diodes
- Input protection diodes
- 5V CMOS- and TTL-compatible logic-level inputs

**Absolute Maximum Rating at Ta = 25°C**

				unit
Maximum Supply Voltage	V <sub>DD</sub> max		7.0	V
	V <sub>CC</sub> max		82	V
Applied Output Voltage	V <sub>O</sub> max		85	V
Applied Input Voltage	V <sub>IN</sub> max	V <sub>IN</sub> ≥ GND	V <sub>DD</sub> - 7.0 to V <sub>DD</sub> + 10.0	V
Output Current	I <sub>O</sub> max		1.5	A
Clamp Diode Forward Current	I <sub>FS</sub>		1.5	A
Allowable Power Dissipation	P <sub>d</sub> max	Package only	1.9	W
		With recommended circuit board pattern: 2.6W		
Operating Temperature	T <sub>opr</sub>		-20 to +75	°C
Storage Temperature	T <sub>stg</sub>		-55 to +150	°C

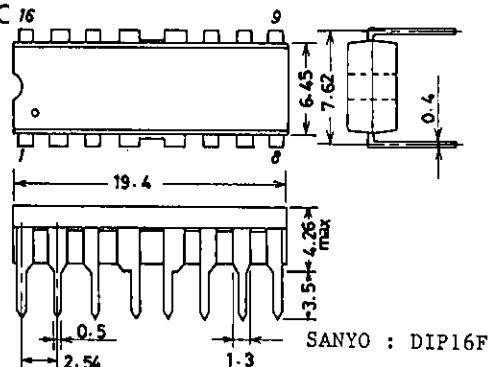
**Allowable Operating Conditions at Ta = 25°C**

				unit
Power Supply Voltage Range	V <sub>DD</sub>		3.5 to 7.0	V
Input ON-level Voltage	V <sub>IN on</sub>	V <sub>IN</sub> ≥ GND, I <sub>O</sub> = 1.0A	V <sub>DD</sub> - 7.0 to V <sub>DD</sub> - 2.6	V
Input OFF-level Voltage	V <sub>IN off</sub>	I <sub>O</sub> ≤ 30μA	V <sub>DD</sub> - 0.3 to V <sub>DD</sub> + 10.0	V

**Electrical Characteristics at Ta = 25°C, V<sub>DD</sub> = 5.0V**

			min	typ	max	unit
Output Saturation Voltage	V <sub>O sat1</sub>	V <sub>IN</sub> = V <sub>DD</sub> - 5.0V, I <sub>O</sub> = 0.5A			1.2	V
	V <sub>O sat2</sub>	V <sub>IN</sub> = V <sub>DD</sub> - 5.0V, I <sub>O</sub> = 1.0A			1.5	V
	V <sub>O sat3</sub>	V <sub>IN</sub> = V <sub>DD</sub> - 5.0V, I <sub>O</sub> = 1.5A			2.0	V
Output Sustain Voltage	V <sub>O sus</sub>	I <sub>O</sub> = 100mA	85			V
Input Current	I <sub>IN</sub>	V <sub>DD</sub> = 7.0V, V <sub>IN</sub> = V <sub>DD</sub> - 7.0V			0.5	mA
Clamp Diode Forward Voltage	V <sub>FS</sub>	I <sub>FS</sub> = 1.5A			3.0	V
Clamp Diode Reverse Current	I <sub>RS</sub>	V <sub>CC</sub> = 82V, V <sub>O</sub> = 0V			30	μA

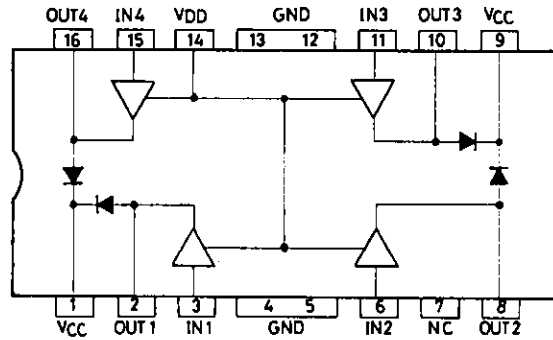
Package Dimensions 3054A-D16FNIC 16  
(unit : mm)



**SANYO Electric Co., Ltd. Semiconductor Business Headquarters**

TOKYO OFFICE Tokyo Bldg., 1-10, 1 Chome, Ueno, Taito-ku, TOKYO, 110 JAPAN

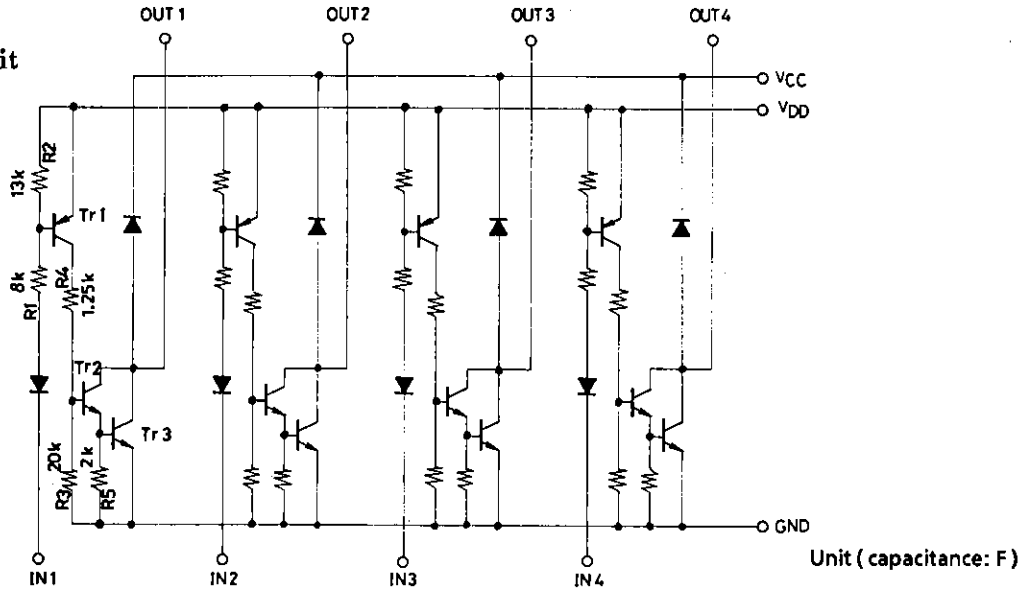
# LB1731



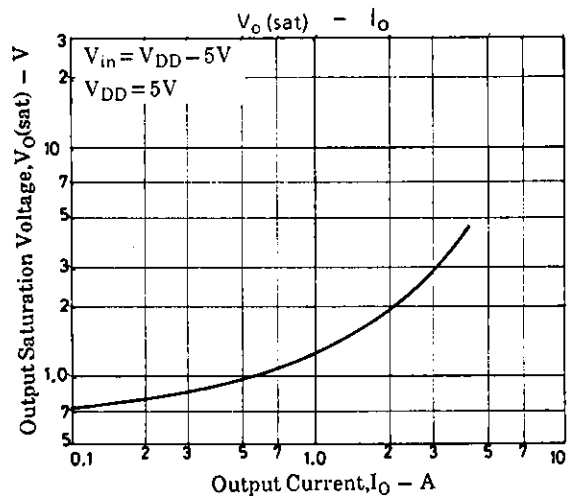
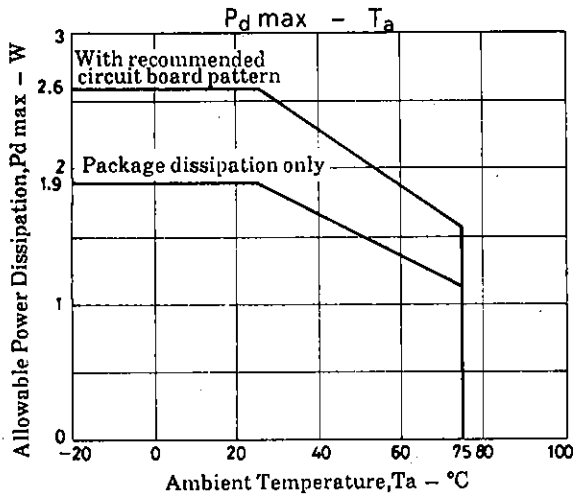
Do not use no-connection (NC) pins.

Pins 1 and 9 are shorted internally.

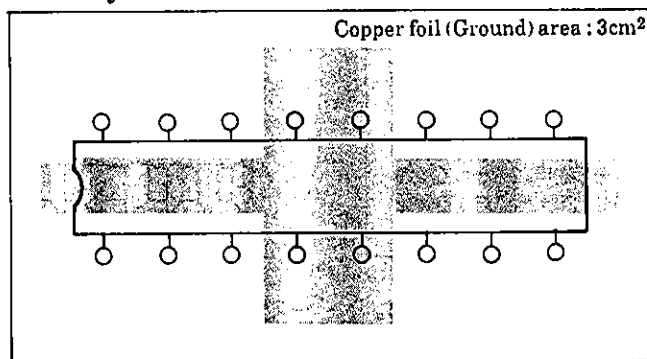
## Equivalent Circuit



Unit (capacitance: F)



## Recommended Circuit Board Layout



Circuit board (80×60mm)

- No products described or contained herein are intended for use in surgical implants, life-support systems, aerospace equipment, nuclear power control systems, vehicles, disaster/crime-prevention equipment and the like, the failure of which may directly or indirectly cause injury, death or property loss.
- Anyone purchasing any products described or contained herein for an above-mentioned use shall:
  - ① Accept full responsibility and indemnify and defend SANYO ELECTRIC CO., LTD., its affiliates, subsidiaries and distributors and all their officers and employees, jointly and severally, against any and all claims and litigation and all damages, cost and expenses associated with such use:
  - ② Not impose any responsibility for any fault or negligence which may be cited in any such claim or litigation on SANYO ELECTRIC CO., LTD., its affiliates, subsidiaries and distributors or any of their officers and employees jointly or severally.
- Information (including circuit diagrams and circuit parameters) herein is for example only; it is not guaranteed for volume production. SANYO believes information herein is accurate and reliable, but no guarantees are made or implied regarding its use or any infringements of intellectual property rights or other rights of third parties.