

# STK4273

Thick Film Hybrid IC  
2-Channel AF Power Amp

TENTATIVE

Case Outline : 15 pins (See attached case outline drawing.)

Function : 2-channel / 1-pack AF power amp

Use : Video projectors

Absolute Maximum Ratings at  $T_a = 25^\circ\text{C}$

Parameter	Symbol	Value	Unit
Supply Voltage	$V_{CC}$	$\pm 30$	V
Operating Case Temperature	$T_C$	105	$^\circ\text{C}$
Storage Temperature	$T_{stg}$	-30 to +105	$^\circ\text{C}$
Available Time for Load Shorted	t	2	sec
Thermal Resistance	$\theta_{j-c}$ Total	1.0	$^\circ\text{C/W}$

$V_{CC} = \pm 20.5\text{V}, R_L = 8\Omega,$   
 $f = 50\text{Hz}, P_o = 18\text{W}$

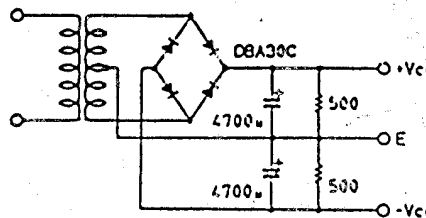
Operating Characteristics at  $T_a = 25^\circ\text{C}, R_g = 50\Omega$ , See attached Test Circuit.

Parameter	Symbol	Conditions	min	typ	max	unit
Output Noise Voltage	$V_{NO}$	$V_{CC} = \pm 24\text{V}$				0.2 mVrms
Quiescent Current	$I_{CCQ}$	$V_{CC} = \pm 24\text{V}$		15	25	mA
Midpoint Voltage	$V_N$	$V_{CC} = \pm 24\text{V}$	-50	0	+50	mV
Output Delay Time	$t_D$	$V_{CC} = \pm 20.5\text{V}, f = 15.75\text{kHz}$ triangular wave input $V_{p,p} = 1.5\text{V}$				1 $\mu\text{sec}$

### Remarks

- For power supply at the time of test, use a constant-voltage power supply unless otherwise specified.
- For measurement of the available time for load shorted and output noise voltage, use the specified transformer power supply shown below.
- The output noise voltage is represented by the peak value on rms scale (VTVM) of average value indicating type.

Specified transformer power supply  
(equivalent to RP-25)



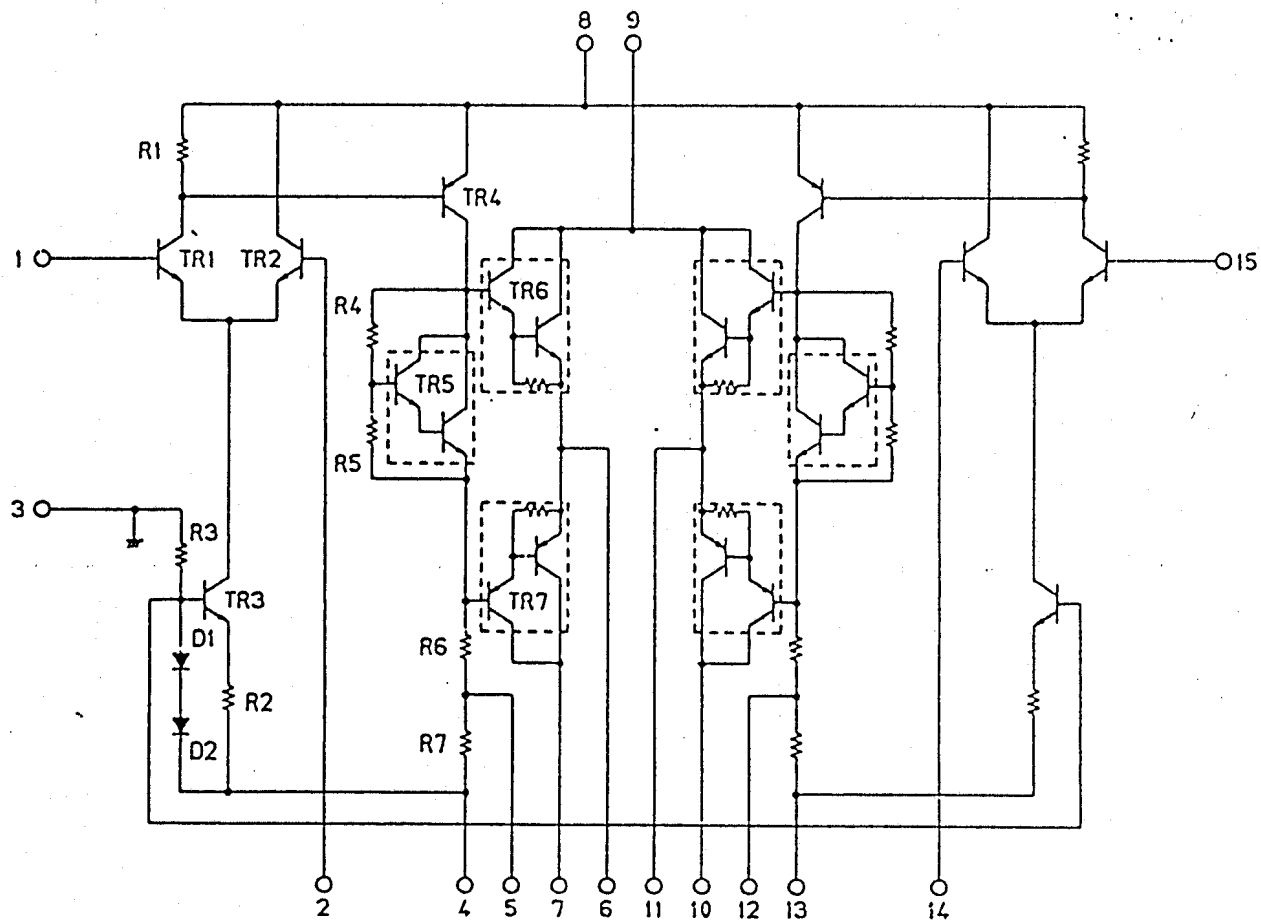
The application circuit diagrams and circuit constants herein are included as an example and provide no guarantee for designing equipment to be mass-produced. The information herein is believed to be accurate and reliable. However, no responsibility is assumed by SANYO for its use; nor for any infringements of patents or other rights of third parties which may result from its use.

Specifications and information herein are subject to change without notice.

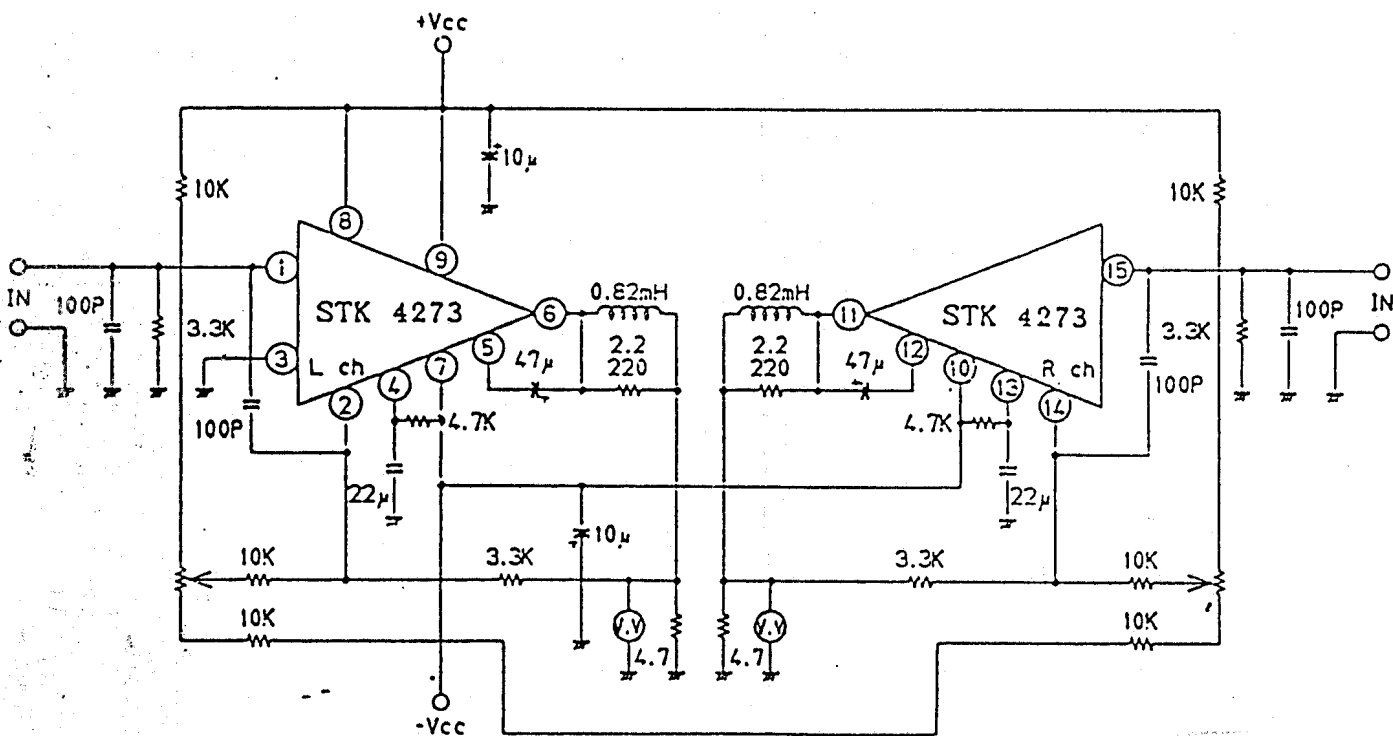
**SANYO Electric Co., Ltd. Semiconductor Overseas Marketing Div.**  
Natsume Bldg., 18-6, 2-chome, Yushima, Bunkyo-ku, TOKYO 113 JAPAN

5229YT/TS STK4273-1/3

# Internal Equivalent Circuit (STK4273)



# Test Circuit (STK4273)



Case Outline (unit: mm)

