



LA7780M

QPSK Downconverter for CATV Systems

Overview

The LA7780M is a downconverter for QPSK data demodulation for digital CATV transmission. This IC integrates a preamplifier, an AGC amplifier, a mixer, an oscillator, a post-amplifier, and other circuits in a single chip, and provides all the functions required from cable signal input through output to the A/D converter.

Features

- Since a preamplifier is built in, the LA7780M has adequate sensitivity to handle the input signal from the cable directly.
(Input signal level: -30 to +30 dBm)
- Both internal and external AGC are supported as the AGC amplifier drive technique.
- The output amplitude of the post amplifier used to drive the A/D converter is 2 V_{p-p} (typical).
- Applications can be designed to use either a crystal or an inductor oscillator.

Specifications

Maximum Ratings at T_a = 25°C

Parameter	Symbol	Conditions	Ratings	Unit
Maximum supply voltage	V _{CC} max	Pins 5, 6, and 17	7.0	V
Circuit voltage	V max	Pins 4, 12, and 24	V _{CC}	V
Circuit current	I ₄	The pin 4 output current	30	mA
	I ₁₃	The pin 13 sink current	2	mA
	I ₁₆	The pin 16 sink current	2	mA
Allowable power dissipation	P _d max	T _a ≤ 70°C	540	mW
Operating temperature	T _{opr}		-20 to +70	°C
Storage temperature	T _{stg}		-55 to +150	°C

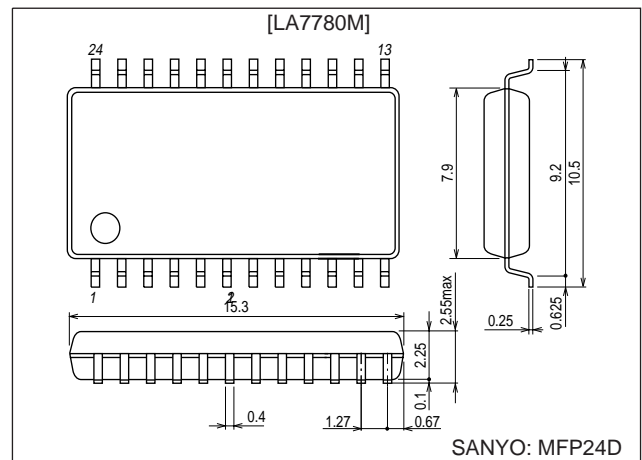
Functions

- Preamplifier
- AGC amplifier
- Mixer
- Oscillator
- Post amplifier
- IF AGC (internal/external)
- AGC detector

Package Dimensions

unit: mm

3108-MFP24D



■ Any and all SANYO products described or contained herein do not have specifications that can handle applications that require extremely high levels of reliability, such as life-support systems, aircraft's control systems, or other applications whose failure can be reasonably expected to result in serious physical and/or material damage. Consult with your SANYO representative nearest you before using any SANYO products described or contained herein in such applications.

■ SANYO assumes no responsibility for equipment failures that result from using products at values that exceed, even momentarily, rated values (such as maximum ratings, operating condition ranges, or other parameters) listed in products specifications of any and all SANYO products described or contained herein.

SANYO Electric Co., Ltd. Semiconductor Business Headquarters

TOKYO OFFICE Tokyo Bldg., 1-10, 1 Chome, Ueno, Taito-ku, TOKYO, 110-8534 JAPAN

LA7780M

Operating Conditions at Ta = 25°C

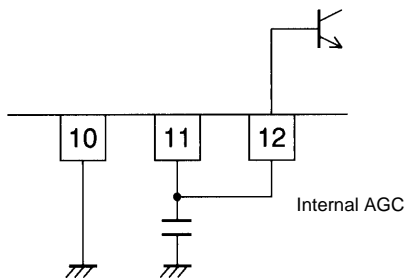
Parameter	Symbol	Conditions	Ratings	Unit
Recommended supply voltage	V _{CC}	Pins 5, 6, and 17	5.0	V
Operating supply voltage range	V _{CC op}	Pins 5, 6, and 17	4.5 to 5.5	V

AC Characteristics at Ta = 25°C, V_{CC} = 5.0 V, internal AGC mode, Pin 24 is left open.

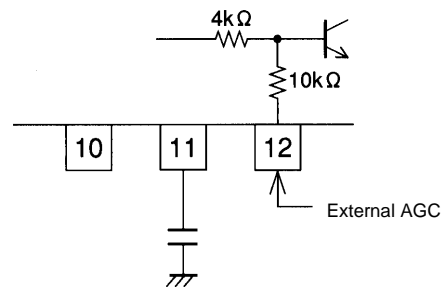
Parameter	Symbol	Conditions	Ratings			Unit
			min	typ	max	
Circuit current	I _{total}	Pins 4, 5, 6, and 17: no signal	64	80	95	mA
RF input frequency range	f _(in)	Pins 1, 8, and 9	30		150	MHz
IF output level	V _{O(IF)}	Pin 13: *1	1.6	2.0	2.5	Vp-p
IF output IM3	V _{O(IM3)}	Pin 13: *2	40			dB
IF output frequency bandwidth	BW	Pin 13: *3	15			MHz
Local oscillator frequency range	f _(LO)	Pins 18, 19, 20, and 21	30		200	MHz
AGC amplifier input sensitivity	V _{in(RF2)}	Pins 8 and 9: *4	-25	-21	-17	dBmV
AGC range	GR	Pin 13: IF output level < ±1 dB	60	80		dB
AGC flatness	ΔV _{O(IF)}	Pin 13: Compare with the state when V _{in} (RF2) = 30 dBmV	-1	0	+1	dB
Preamplifier gain	G _(RF1)	Pin 4: *5	17	19	21	dB
Maximum preamplifier output level	V _{Omax}	Pin 4: *6	50			dBmV
Oscillator output level	V _{O(OSC)}	Pin 23: The pin 23 frequency is 1/2 that of the local oscillator	500	800	1000	mVp-p

Operating Modes

Mode	Pin 10	Pin 11	Pin 12
Internal AGC	GND	With a capacitor between pin 11 and ground	Connected to pin 11
External AGC (Narrow control range: 3 to 5 V)	GND (AGC divider inactive)	With a capacitor between pin 11 and ground	External AGC voltage supply Pin 12 = high impedance
External AGC (Wide control range: 0 to 5 V)	Open (AGC divider active)	With a capacitor between pin 11 and ground	External AGC voltage supply Pin 12 = low impedance (14 kΩ)



A10606



A10607

Note: In internal AGC mode, the IF output level can be adjusted by varying the pin 24 DC voltage.

Caution:

Note 1.

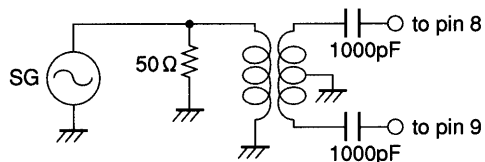
Input: SG = 69.55 MHz, 20 dBm V

Other conditions:

Internal AGC mode

Pin 24 left open.

Output: The post amplifier output (pin 13) at 5 MHz

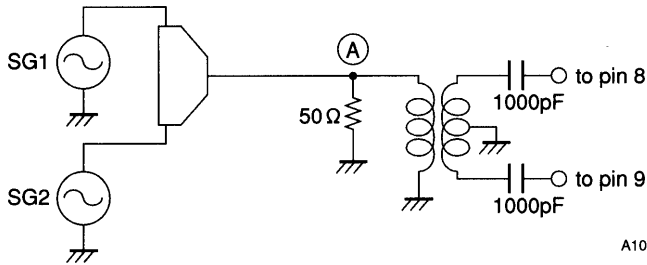


A10608

Transfer ratio = 1 : 1

LA7780M

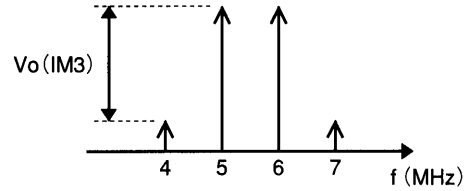
Note 2.
Input: SG1 = 69.55 MHz, SG2 = 70.55 MHz



A10609

Point (A) = 20 dBmV (69.55 MHz) + 20 dBmV (70.55 MHz)

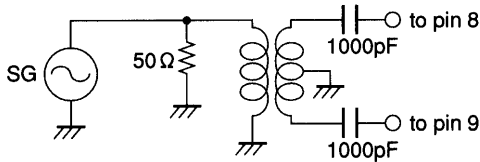
Other conditions:
Internal AGC mode
Pin 24 left open.
Output: The post amplifier output (pin 13)



A10610

Note 3.
Post amplifier output level = -3 dB
Remove the low-pass filter between pins 14 and 16.
(Short the coil of 27 μ H and remove the capacitors of 27 pF and 15 pF.)

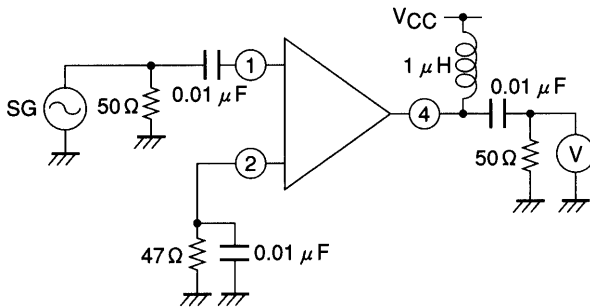
Note 4.
Input: SG1 = 69.55 MHz



A10611

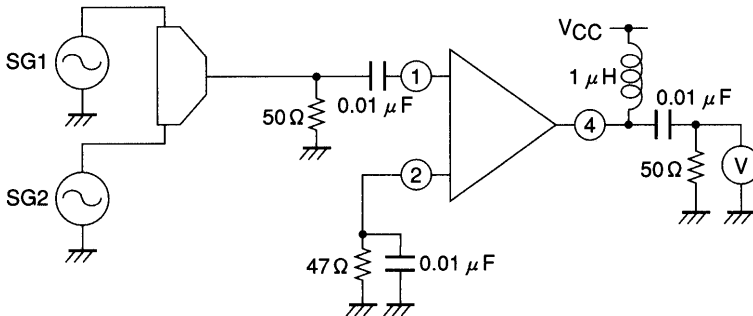
Other conditions:
Internal AGC mode
Pin 24 left open.
Output: The signal level such that the post amplifier output (pin 13) falls by -3 dB.

Note 5.
SG = 75 MHz, 20 dBm V



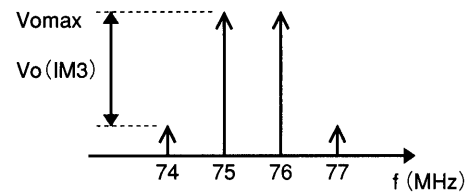
A10612

Note 6.
SG1 = 75 MHz, SG2 = 76 MHz,
Adjust the pin 1 level until the IM3 in the pin 4 output is 40 dB.



A10613

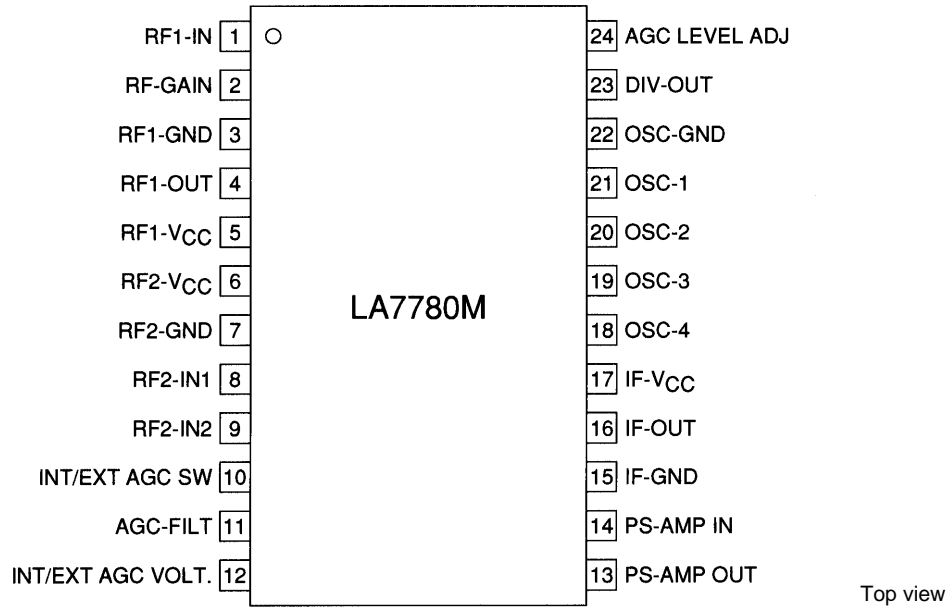
Output: RF1-OUT (pin 4)
 $V_{O(IM3)} = 40$ dB



A10614

LA7780M

Pin Assignment

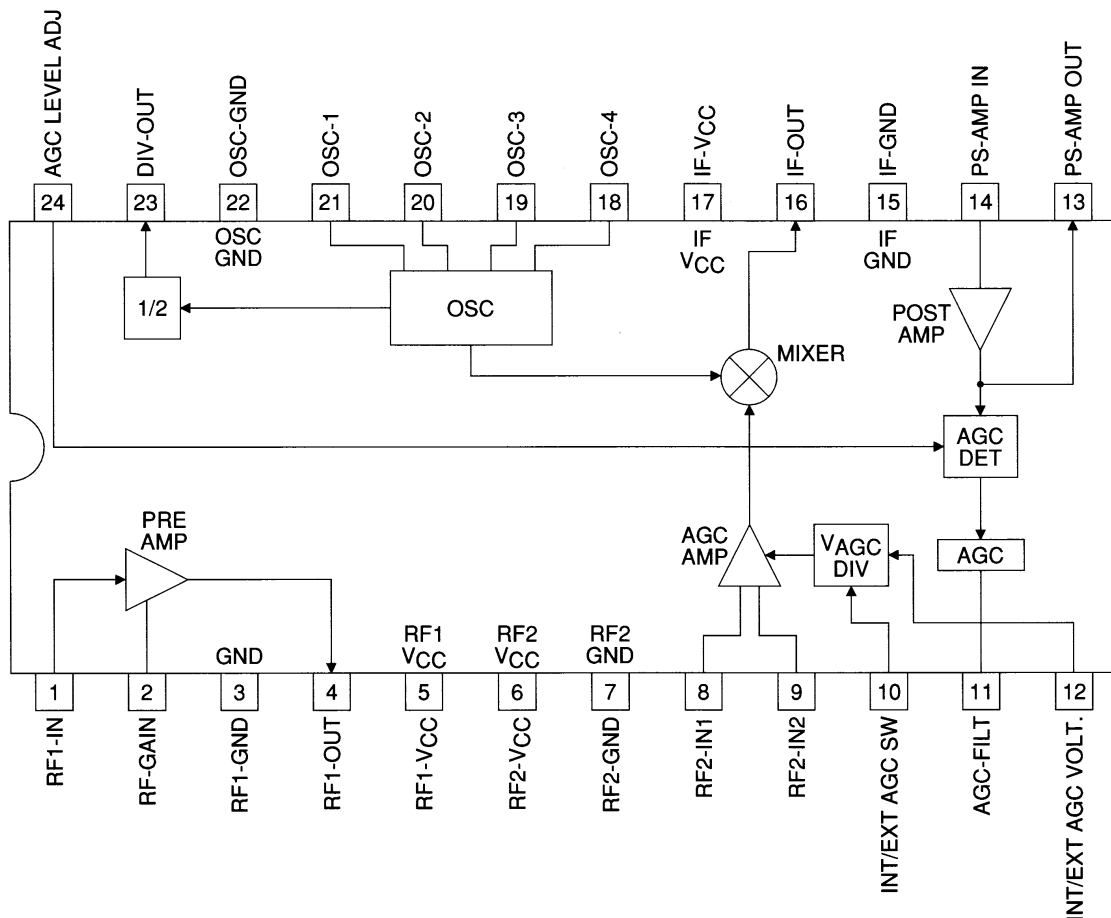


A10604

Usage Notes

- The oscillator may stop if the power supply rise time is extremely short. To prevent this problem, insert a 500 kΩ resistor between pin 18 and ground or between pin 21 and ground. (This applies when a crystal oscillator is used.)
- This IC should be used with the pin 13 output level between 1 V_{p-p} and 2 V_{p-p}.
- Use a low-pass filter with a 6-dB attenuation between pins 14 and 16.
- Since the high-frequency process is adopted, care must be taken to prevent the influence of static electricity.

Block Diagram



A10605

LA7780M

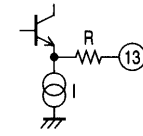
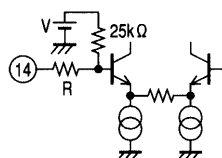
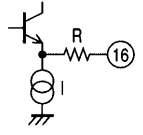
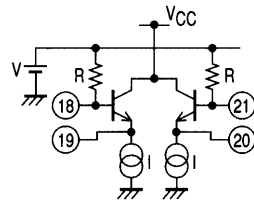
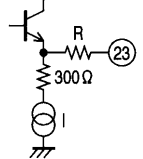
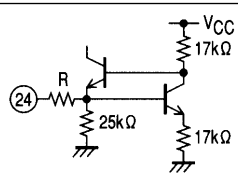
Pin Descriptions

Pin No.	Function	Pin voltage (V)	Note	Equivalent circuit
1	RF1 input	2.8		<p style="text-align: right;">A10615</p>
2	RF gain	1.3	Impedance connected to pin 2 must be > 45 Ω	<p style="text-align: right;">A10616</p>
3	GND	0		
4	RF1 output	Open collector		<p style="text-align: right;">A10617</p>
5	V _{CC}	5.0		
6	V _{CC}	5.0		
7	GND	0		
8	RF2 input (1)	2.5	V = 2.5 V	<p style="text-align: right;">A10618</p>
9	RF2 input (2)	2.5	R = 1 kΩ	
10	Internal/external AGC switch	0 (GND) 1.0 (open)	Pin 10 → GND : Internal or external AGC (narrow control range) Pin 10 → open : External AGC (wide control range)	<p style="text-align: right;">A10619</p>
11	AGC filter 2	Open collector Open base (Pin 10 → GND) 4.0 (Pin 10 open)	I ₁ = 20 μA I ₂ = 100 μA I ₃ , I ₄ & Q ₁ are switched on and off by pin 10.	<p style="text-align: right;">A10620</p>
12	AGC filter 1			

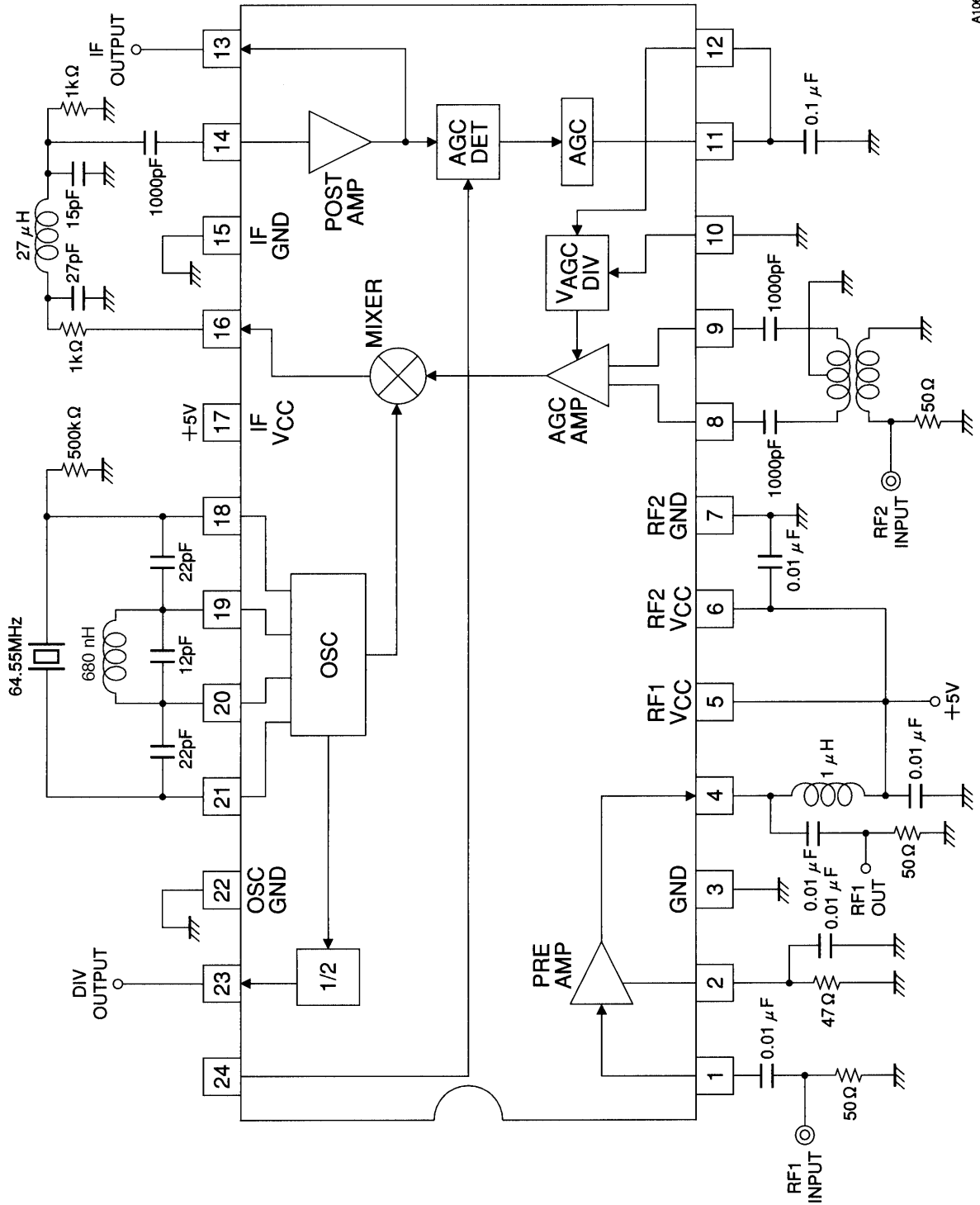
Continued on next page.

LA7780M

Continued from preceding page.

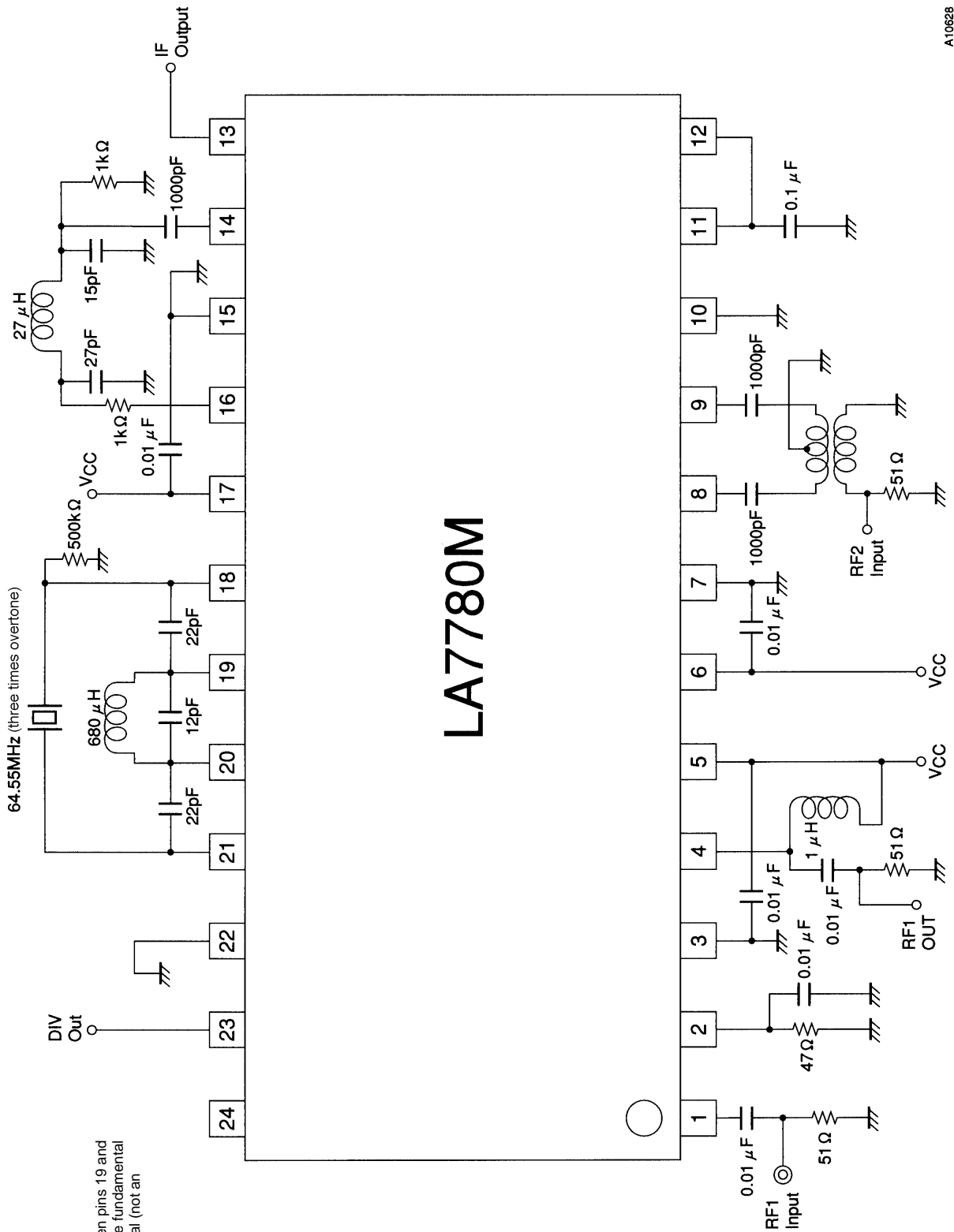
Pin No.	Function	Pin voltage (V)	Note	Equivalent circuit
13	Post-amp output	2, 3	$R = 30 \Omega$ $I = 7 \text{ mA}$	 <p style="text-align: right;">A10621</p>
14	Post-amp input	2.0	$V = 2.1 \text{ V}$ $R = 300 \Omega$	 <p style="text-align: right;">A10622</p>
15	GND	0		
16	IF output	1.7	$R = 100 \Omega$ $I = 3.5 \text{ mA}$	 <p style="text-align: right;">A10623</p>
17	V_{CC}	5.0		
18 19 20 21	Oscillator input 4 Oscillator input 3 Oscillator input 2 Oscillator input 1	3.0 3.0	$V = 3.0 \text{ V}$ $R = 5 \text{ k}\Omega$ $I = 1 \text{ mA}$	 <p style="text-align: right;">A10624</p>
22	GND	0		
23	Divider output	3.3	$R = 100 \Omega$ $I = 1 \text{ mA}$	 <p style="text-align: right;">A10625</p>
24	Output level adjustment	2.5	$R = 25 \text{ k}\Omega$	 <p style="text-align: right;">A10626</p>

Test Circuit



A10627

Sample Application Circuit



LA7780M

*: The choke coil between pins 19 and 20 is not required if the fundamental frequency of the crystal (not an overtone) is used.

- Specifications of any and all SANYO products described or contained herein stipulate the performance, characteristics, and functions of the described products in the independent state, and are not guarantees of the performance, characteristics, and functions of the described products as mounted in the customer's products or equipment. To verify symptoms and states that cannot be evaluated in an independent device, the customer should always evaluate and test devices mounted in the customer's products or equipment.
- SANYO Electric Co., Ltd. strives to supply high-quality high-reliability products. However, any and all semiconductor products fail with some probability. It is possible that these probabilistic failures could give rise to accidents or events that could endanger human lives, that could give rise to smoke or fire, or that could cause damage to other property. When designing equipment, adopt safety measures so that these kinds of accidents or events cannot occur. Such measures include but are not limited to protective circuits and error prevention circuits for safe design, redundant design, and structural design.
- In the event that any or all SANYO products (including technical data, services) described or contained herein are controlled under any of applicable local export control laws and regulations, such products must not be exported without obtaining the export license from the authorities concerned in accordance with the above law.
- No part of this publication may be reproduced or transmitted in any form or by any means, electronic or mechanical, including photocopying and recording, or any information storage or retrieval system, or otherwise, without the prior written permission of SANYO Electric Co., Ltd.
- Any and all information described or contained herein are subject to change without notice due to product/technology improvement, etc. When designing equipment, refer to the "Delivery Specification" for the SANYO product that you intend to use.
- Information (including circuit diagrams and circuit parameters) herein is for example only; it is not guaranteed for volume production. SANYO believes information herein is accurate and reliable, but no guarantees are made or implied regarding its use or any infringements of intellectual property rights or other rights of third parties.

This catalog provides information as of October, 1998. Specifications and information herein are subject to change without notice.