



# LC75817E, 75817W

## 1/8 to 1/10 Duty Dot Matrix LCD Display Controller/Driver with Key Input Function



### Overview

The LC75817E and LC75817W are 1/8 to 1/10 duty dot matrix LCD display controller/drivers that supports the display of characters, numbers, and symbols. In addition to generating dot matrix LCD drive signals based on data transferred serially from a microcontroller, the LC75817E and LC75817W also provide on-chip character display ROM and RAM to allow display systems to be implemented easily. These products also provide up to 4 general-purpose output ports and incorporate a key scan circuit that accepts input from up to 30 keys to reduce printed circuit board wiring.

- Built-in display contrast adjustment circuit
- Up to 4 general-purpose output ports are included.
- Serial data I/O supports CCB format communication with the system controller.
- Independent LCD drive block power supply VLCD
- A voltage detection type reset circuit is provided to initialize the IC and prevent incorrect display.
- The  $\overline{\text{INH}}$  pin is provided. This pin turns off the display, disables key scanning, and forces the general-purpose output ports to the low level.
- RC oscillator circuit

### Features

- Key input function for up to 30 keys (A key scan is performed only when a key is pressed.)
- Controls and drives a  $5 \times 7$ ,  $5 \times 8$ , or  $5 \times 9$  dot matrix LCD.
- Supports accessory display segment drive (up to 60 segments)
- Display technique: 1/8 duty 1/4 bias drive ( $5 \times 7$  dots)  
1/9 duty 1/4 bias drive ( $5 \times 8$  dots)  
1/10 duty 1/4 bias drive ( $5 \times 9$  dots)
- Display digits: 12 digits  $\times$  1 line ( $5 \times 7$  dots,  $5 \times 8$  dots)  
11 digits  $\times$  1 line ( $5 \times 9$  dots)
- Display control memory  
CGROM: 240 characters ( $5 \times 7$ ,  $5 \times 8$ , or  $5 \times 9$  dots)  
CGRAM: 16 characters ( $5 \times 7$ ,  $5 \times 8$ , or  $5 \times 9$  dots)  
ADRAM:  $12 \times 5$  bits  
DCRAM:  $48 \times 8$  bits
- Instruction function  
Display on/off control  
Display shift function
- Sleep mode can be used to reduce current drain.

- CCB is a trademark of SANYO ELECTRIC CO., LTD.
- CCB is SANYO's original bus format and all the bus addresses are controlled by SANYO.

■ Any and all SANYO products described or contained herein do not have specifications that can handle applications that require extremely high levels of reliability, such as life-support systems, aircraft's control systems, or other applications whose failure can be reasonably expected to result in serious physical and/or material damage. Consult with your SANYO representative nearest you before using any SANYO products described or contained herein in such applications.

■ SANYO assumes no responsibility for equipment failures that result from using products at values that exceed, even momentarily, rated values (such as maximum ratings, operating condition ranges, or other parameters) listed in products specifications of any and all SANYO products described or contained herein.

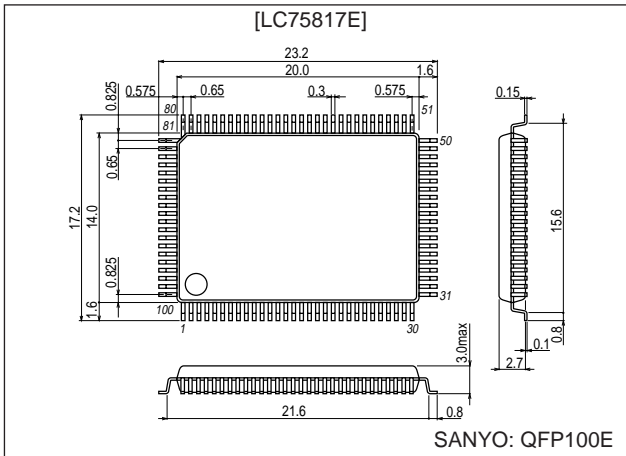
**SANYO Electric Co.,Ltd. Semiconductor Company**

TOKYO OFFICE Tokyo Bldg., 1-10, 1 Chome, Ueno, Taito-ku, TOKYO, 110-8534 JAPAN

## Package Dimensions

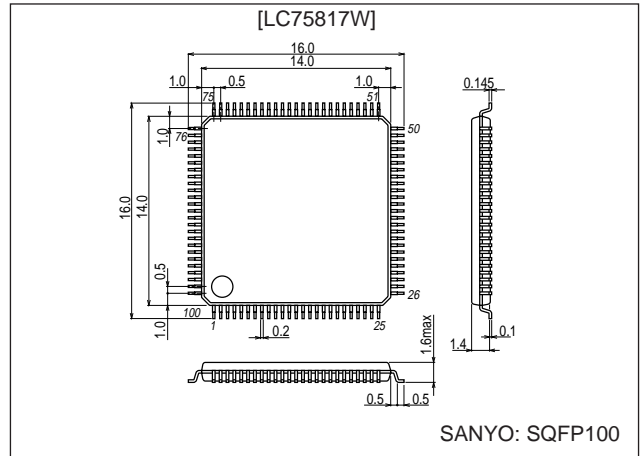
unit: mm

### 3151-QFP100E



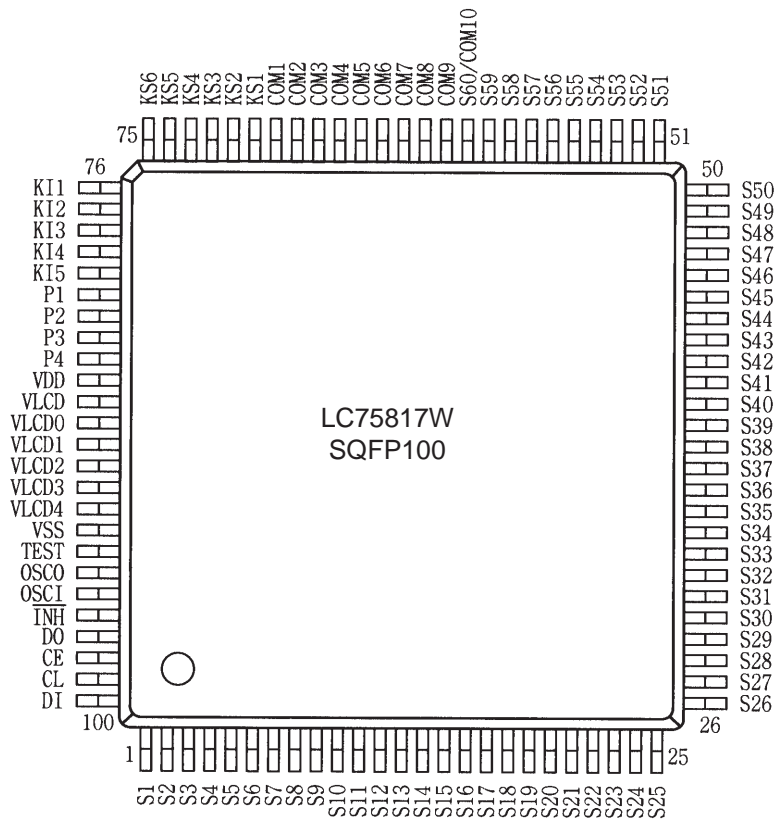
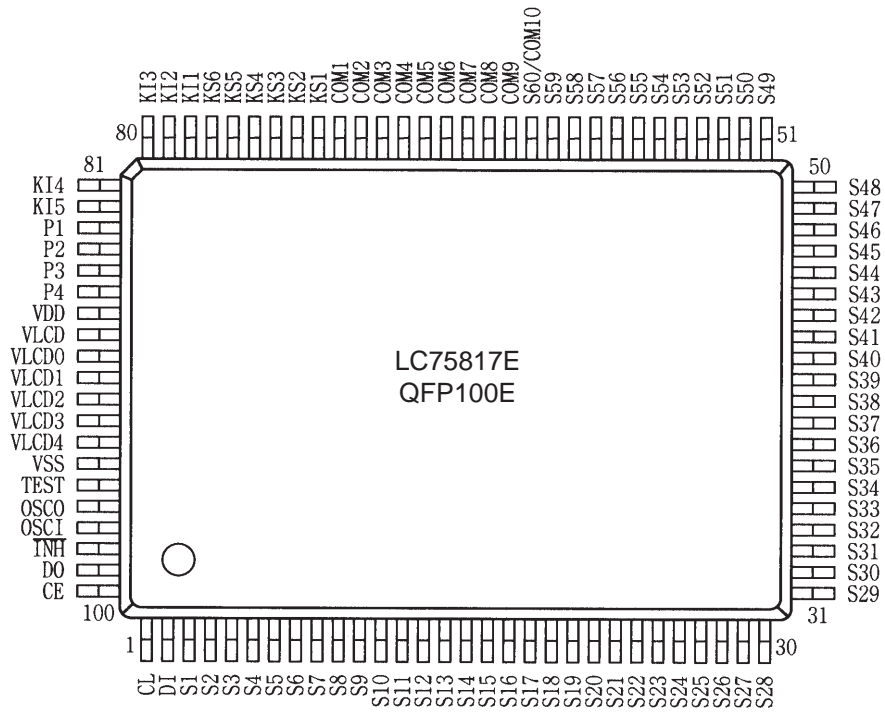
unit: mm

### 3181B-SQFP100



# LC75817E, 75817W

## Pin Assignments (Top View)



## LC75817E, 75817W

### Specifications

**Absolute Maximum Ratings at Ta = 25°C, V<sub>SS</sub> = 0 V**

Parameter	Symbol	Conditions	Ratings	Unit
Maximum supply voltage	V <sub>DD</sub> max	V <sub>DD</sub>	-0.3 to +7.0	V
	V <sub>LCD</sub> max	V <sub>LCD</sub>	-0.3 to +11.0	V
Input voltage	V <sub>IN1</sub>	CE, CL, DI, $\overline{\text{INH}}$	-0.3 to +7.0	V
	V <sub>IN2</sub>	OSCI, KI1 to KI5, TEST	-0.3 to V <sub>DD</sub> + 0.3	V
	V <sub>IN3</sub>	V <sub>LCD1</sub> , V <sub>LCD2</sub> , V <sub>LCD3</sub> , V <sub>LCD4</sub>	-0.3 to V <sub>LCD</sub> + 0.3	V
Output voltage	V <sub>OUT1</sub>	DO	-0.3 to +7.0	V
	V <sub>OUT2</sub>	OSCO, KS1 to KS6, P1 to P4	-0.3 to V <sub>DD</sub> + 0.3	V
	V <sub>OUT3</sub>	V <sub>LCD0</sub> , S1 to S60, COM1 to COM10	-0.3 to V <sub>LCD</sub> + 0.3	V
Output current	I <sub>OUT1</sub>	S1 to S60	300	μA
	I <sub>OUT2</sub>	COM1 to COM10	3	mA
	I <sub>OUT3</sub>	KS1 to KS6	1	mA
	I <sub>OUT4</sub>	P1 to P4	5	mA
Allowable power dissipation	Pd max	Ta = 85°C	200	mW
Operating temperature	Topr		-40 to +85	°C
Storage temperature	Tstg		-55 to +125	°C

**Allowable Operating Ranges at Ta = -40 to +85°C, V<sub>SS</sub> = 0 V**

Parameter	Symbol	Conditions	Ratings			Unit
			min	typ	max	
Supply voltage	V <sub>DD</sub>	V <sub>DD</sub>	4.5		6.0	V
	V <sub>LCD</sub>	When the display contrast adjustment circuit is used.	7.0		10.0	V
		When the display contrast adjustment circuit is not used.	4.5		10.0	V
Output voltage	V <sub>LCD0</sub>	V <sub>LCD0</sub>	V <sub>LCD4</sub> +4.5		V <sub>LCD</sub>	V
Input voltage	V <sub>LCD1</sub>	V <sub>LCD1</sub>		3/4 (V <sub>LCD0</sub> -V <sub>LCD4</sub> )	V <sub>LCD0</sub>	V
	V <sub>LCD2</sub>	V <sub>LCD2</sub>		2/4 (V <sub>LCD0</sub> -V <sub>LCD4</sub> )	V <sub>LCD0</sub>	V
	V <sub>LCD3</sub>	V <sub>LCD3</sub>		1/4 (V <sub>LCD0</sub> -V <sub>LCD4</sub> )	V <sub>LCD0</sub>	V
	V <sub>LCD4</sub>	V <sub>LCD4</sub>		0	1.5	V
Input high level voltage	V <sub>IH1</sub>	CE, CL, DI, $\overline{\text{INH}}$	0.8 V <sub>DD</sub>		6.0	V
	V <sub>IH2</sub>	OSCI	0.7 V <sub>DD</sub>		V <sub>DD</sub>	V
	V <sub>IH3</sub>	KI1 to KI5	0.6 V <sub>DD</sub>		V <sub>DD</sub>	V
Input low level voltage	V <sub>IL1</sub>	CE, CL, DI, $\overline{\text{INH}}$ , KI1 to KI5	0		0.2 V <sub>DD</sub>	V
	V <sub>IL2</sub>	OSCI	0		0.3 V <sub>DD</sub>	V
Recommended external resistance	R <sub>OSC</sub>	OSCI, OSCO		33		kΩ
Recommended external capacitance	C <sub>OSC</sub>	OSCI, OSCO		220		pF
Guaranteed oscillation range	f <sub>OSC</sub>	OSC	150	300	600	kHz
Data setup time	t <sub>ds</sub>	CL, DI: Figure 2	160			ns
Data hold time	t <sub>dh</sub>	CL, DI: Figure 2	160			ns
CE wait time	t <sub>cp</sub>	CE, CL: Figure 2	160			ns
CE setup time	t <sub>cs</sub>	CE, CL: Figure 2	160			ns
CE hold time	t <sub>ch</sub>	CE, CL: Figure 2	160			ns
High level clock pulse width	t <sub>øH</sub>	CL: Figure 2	160			ns
Low level clock pulse width	t <sub>øL</sub>	CL: Figure 2	160			ns
DO output delay time	t <sub>dc</sub>	DO, R <sub>PJ</sub> = 4.7kΩ, C <sub>L</sub> = 10pF: Figure 2*1			1.5	μs
DO rise time	t <sub>dr</sub>	DO, R <sub>PJ</sub> = 4.7kΩ, C <sub>L</sub> = 10pF: Figure 2*1			1.5	μs

Note: \*1. Since the DO pin is an open-drain output, these times depend on the values of the pull-up resistor R<sub>PJ</sub> and the load capacitance C<sub>L</sub>.

Electrical Characteristics for the Allowable Operating Ranges

Parameter	Symbol	Conditions	Ratings			Unit
			min	typ	max	
Hysteresis	$V_H$	CE, CL, DI, $\overline{\text{INH}}$ , KI1 to KI5		$0.1 V_{DD}$		V
Power-down detection voltage	$V_{DET}$		2.5	3.0	3.5	V
Input high level current	$I_{IH}$	CE, CL, DI, $\overline{\text{INH}}$ , OSC1: $V_I = 6.0\text{ V}$			5.0	$\mu\text{A}$
Input low level current	$I_{IL}$	CE, CL, DI, $\overline{\text{INH}}$ , OSC1: $V_I = 0\text{ V}$	-5.0			$\mu\text{A}$
Input floating voltage	$V_{IF}$	KI1 to KI5			$0.05 V_{DD}$	V
Pull-down resistance	$R_{PD}$	KI1 to KI5: $V_{DD} = 5.0\text{ V}$	50	100	250	$\text{k}\Omega$
Output off leakage current	$I_{OFFH}$	DO: $V_O = 6.0\text{ V}$			6.0	$\mu\text{A}$
Output high level voltage	$V_{OH1}$	S1 to S60: $I_O = -20\ \mu\text{A}$	$V_{LCD0} - 0.6$			V
	$V_{OH2}$	COM1 to COM10: $I_O = -100\ \mu\text{A}$	$V_{LCD0} - 0.6$			V
	$V_{OH3}$	KS1 to KS6: $I_O = -500\ \mu\text{A}$	$V_{DD} - 1.0$	$V_{DD} - 0.5$	$V_{DD} - 0.2$	V
	$V_{OH4}$	P1 to P4: $I_O = -1\ \text{mA}$	$V_{DD} - 1.0$			V
	$V_{OH5}$	OSCO: $I_O = -500\ \mu\text{A}$	$V_{DD} - 1.0$			V
Output low level voltage	$V_{OL1}$	S1 to S60: $I_O = 20\ \mu\text{A}$			$V_{LCD4} + 0.6$	V
	$V_{OL2}$	COM1 to COM10: $I_O = 100\ \mu\text{A}$			$V_{LCD4} + 0.6$	V
	$V_{OL3}$	KS1 to KS6: $I_O = 25\ \mu\text{A}$	0.2	0.5	1.5	V
	$V_{OL4}$	P1 to P4: $I_O = 1\ \text{mA}$			1.0	V
	$V_{OL5}$	OSCO: $I_O = 500\ \mu\text{A}$			1.0	V
	$V_{OL6}$	DO: $I_O = 1\ \text{mA}$		0.1	0.5	V
Output middle level voltage*2	$V_{MID1}$	S1 to S60: $I_O \pm 20\ \mu\text{A}$	$\frac{2}{4}(V_{LCD0} - V_{LCD4}) - 0.6$		$\frac{2}{4}(V_{LCD0} - V_{LCD4}) + 0.6$	V
	$V_{MID2}$	COM1 to COM10: $I_O = \pm 100\ \mu\text{A}$	$\frac{3}{4}(V_{LCD0} - V_{LCD4}) - 0.6$		$\frac{3}{4}(V_{LCD0} - V_{LCD4}) + 0.6$	V
	$V_{MID3}$	COM1 to COM10: $I_O = \pm 100\ \mu\text{A}$	$\frac{1}{4}(V_{LCD0} - V_{LCD4}) - 0.6$		$\frac{1}{4}(V_{LCD0} - V_{LCD4}) + 0.6$	V
Oscillator frequency	$f_{OSC}$	OSCI, OSCO: $R_{OSC} = 33\ \text{k}\Omega$ , $C_{OSC} = 220\ \text{pF}$	210	300	390	$\text{kHz}$
Current drain	$I_{DD1}$	$V_{DD}$ : sleep mode			100	$\mu\text{A}$
	$I_{DD2}$	$V_{DD}$ : $V_{DD} = 6.0\text{ V}$ , output open, $f_{OSC} = 300\ \text{kHz}$		500	1000	$\mu\text{A}$
	$I_{LCD1}$	$V_{LCD}$ : sleep mode			5	$\mu\text{A}$
	$I_{LCD2}$	$V_{LCD}$ : $V_{LCD} = 10.0\text{ V}$ , output open, $f_{OSC} = 300\ \text{kHz}$ When the display contrast adjustment circuit is used.		450	900	$\mu\text{A}$
	$I_{LCD3}$	$V_{LCD}$ : $V_{LCD} = 10.0\text{ V}$ , output open, $f_{OSC} = 300\ \text{kHz}$ When the display contrast adjustment circuit is not used.		200	400	$\mu\text{A}$

Note: \*2. Excluding the bias voltage generation divider resistor built into the  $V_{LCD0}$ ,  $V_{LCD1}$ ,  $V_{LCD2}$ ,  $V_{LCD3}$ , and  $V_{LCD4}$ . (See figure 1.)

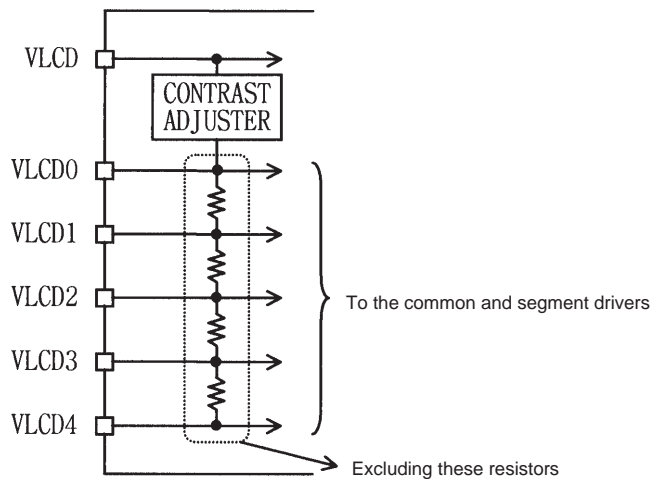
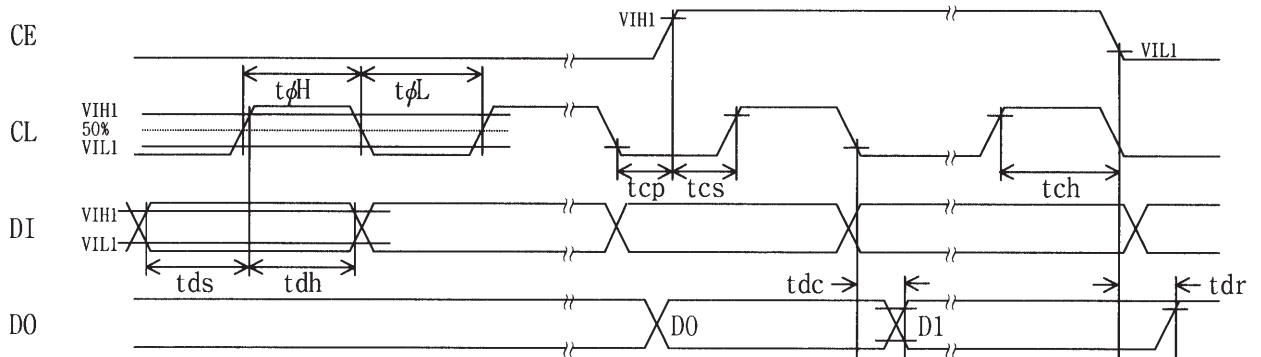


Figure 1

- When CL is stopped at the low level



- When CL is stopped at the high level

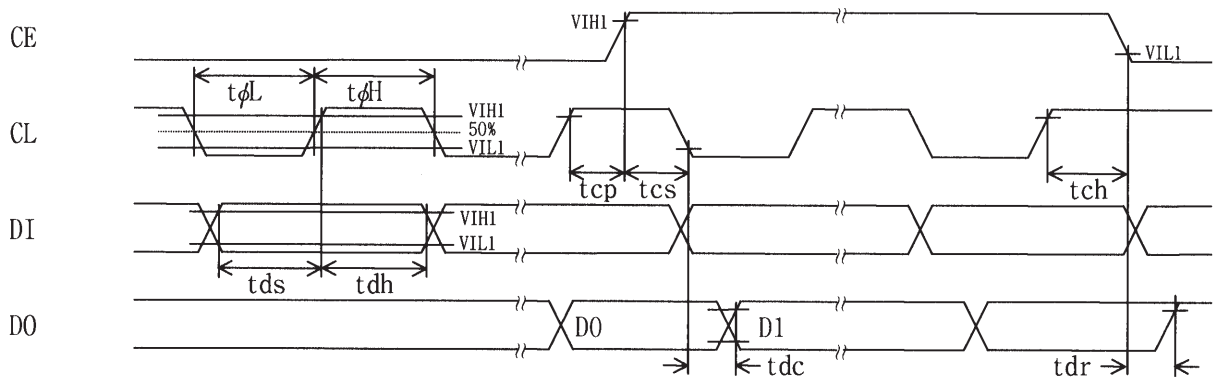
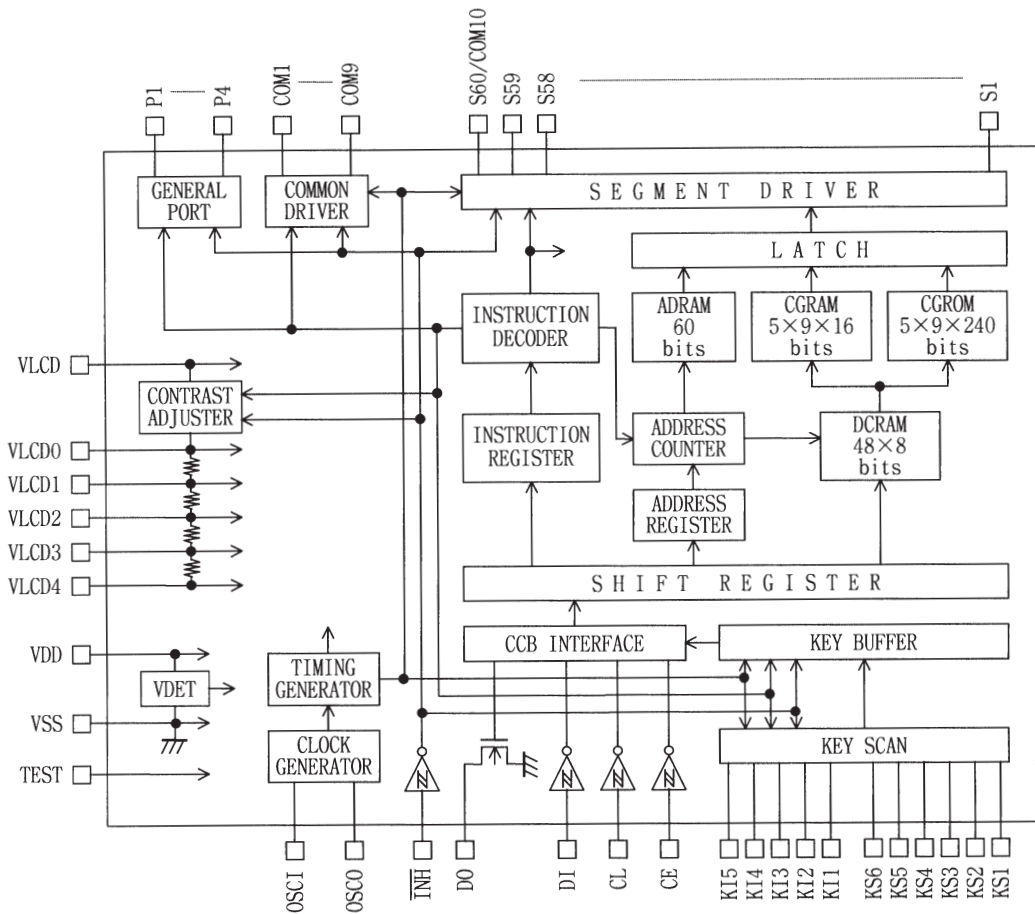



Figure 2

Block Diagram



## LC75817E, 75817W

### Pin Functions

Pin	Pin No.		Function	Active	I/O	Handling when unused
	LC75817E	LC75817W				
S1 to S59 S60/COM10	3 to 61 62	1 to 59 60	Segment driver outputs. The S60/COM10 pin can be used as common driver output under the "set display technique" instruction.	—	O	OPEN
COM1 to COM9	71 to 63	69 to 61	Common driver outputs.	—	O	OPEN
KS1 to KS6	72 to 77	70 to 75	Key scan outputs. Although normal key scan timing lines require diodes to be inserted in the timing lines to prevent shorts, since these outputs are unbalanced CMOS transistor outputs, these outputs will not be damaged by shorting when these outputs are used to form a key matrix.	—	O	OPEN
KI1 to KI5	78 to 82	76 to 80	Key scan inputs. These pins have built-in pull-down resistors.	H	I	GND
P1 to P4	83 to 86	81 to 84	General-purpose output ports	—	O	OPEN
OSCI	97	95	Oscillator connections. An oscillator circuit is formed by connecting an external resistor and capacitor at these pins.	—	I	GND
OSCO	96	94		—	O	OPEN
CE	100	98	Serial data interface connections to the controller. Note that DO, being an open-drain output, requires a pull-up resistor. CE : Chip enable CL : Synchronization clock DI : Transfer data DO : Output data	H	I	GND
CL	1	99			I	
DI	2	100		—	I	
DO	99	97		—	O	OPEN
$\overline{\text{INH}}$	98	96	Input that turns the display off, disables key scanning, and forces the general-purpose output ports low. • When $\overline{\text{INH}}$ is low ( $V_{SS}$ ): • Display off S1 to S59 = "L" ( $V_{LCD4}$ ). S60/COM10 = "L" ( $V_{LCD4}$ ). COM1 to COM9 = "L" ( $V_{LCD4}$ ). • General-purpose output ports P1 to P4 = low ( $V_{SS}$ ) • Key scanning disabled: KS1 to KS6 = low ( $V_{SS}$ ) • All the key data is reset to low. • When $\overline{\text{INH}}$ is high ( $V_{DD}$ ): • Display on • The state of the general-purpose output ports can be set by executing a "Set general-purpose output port state" instruction. • Key scanning is enabled. However, serial data can be transferred when the $\overline{\text{INH}}$ pin is low.	L	I	$V_{DD}$
TEST	95	93	This pin must be connected to ground.	—	I	—
$V_{LCD0}$	89	87	LCD drive 4/4 bias voltage (high level) supply pin. The level on this pin can be changed by the display contrast adjustment circuit. However, ( $V_{LCD0} - V_{LCD4}$ ) must be greater than or equal to 4.5 V. Also, external power must not be applied to this pin since the pin circuit includes the display contrast adjustment circuit.	—	O	OPEN
$V_{LCD1}$	90	88	LCD drive 3/4 bias voltage (middle level) supply pin. This pin can be used to supply the 3/4 ( $V_{LCD0} - V_{LCD4}$ ) voltage level externally.	—	I	OPEN
$V_{LCD2}$	91	89	LCD drive 2/4 bias voltage (middle level) supply pin. This pin can be used to supply the 2/4 ( $V_{LCD0} - V_{LCD4}$ ) voltage level externally.	—	I	OPEN
$V_{LCD3}$	92	90	LCD drive 1/4 bias voltage (middle level) supply pin. This pin can be used to supply the 1/4 ( $V_{LCD0} - V_{LCD4}$ ) voltage level externally.	—	I	OPEN
$V_{LCD4}$	93	91	LCD drive 0/4 bias voltage (low level) supply pin. Fine adjustment of the display contrast can be implemented by connecting an external variable resistor to this pin. However, ( $V_{LCD0} - V_{LCD4}$ ) must be greater than or equal to 4.5 V, and $V_{LCD4}$ must be in the range 0 V to 1.5 V, inclusive.	—	I	GND
$V_{DD}$	87	85	Logic block power supply connection. Provide a voltage of between 4.5 and 6.0 V.	—	—	—
$V_{LCD}$	88	86	LCD driver block power supply connection. Provide a voltage of between 7.0 and 10.0 V when the display contrast adjustment circuit is used and provide a voltage of between 4.5 and 10.0 V when the circuit is not used.	—	—	—
$V_{SS}$	94	92	Power supply connection. Connect to ground.	—	—	—

**Block Functions**

- AC (address counter)

AC is a counter that provides the addresses used for DCRAM and ADRAM.

The address is automatically modified internally, and the LCD display state is retained.

- DCRAM (data control RAM)

DCRAM is RAM that is used to store display data expressed as 8-bit character codes. (These character codes are converted to  $5 \times 7$ ,  $5 \times 8$ , or  $5 \times 9$  dot matrix character patterns using CGROM or CGRAM.) DCRAM has a capacity of  $48 \times 8$  bits, and can hold 48 characters. The table below lists the correspondence between the 6-bit DCRAM address loaded into AC and the display position on the LCD panel.

- When the DCRAM address loaded into AC is  $00_H$ .

Display digit	1	2	3	4	5	6	7	8	9	10	11	12
DCRAM address (hexadecimal)	00	01	02	03	04	05	06	07	08	09	0A	0B

However, when the display shift is performed by specifying MDATA, the DCRAM address shifts as shown below.

Display digit	1	2	3	4	5	6	7	8	9	10	11	12
DCRAM address (hexadecimal)	01	02	03	04	05	06	07	08	09	0A	0B	0C

(Left shift)

Display digit	1	2	3	4	5	6	7	8	9	10	11	12
DCRAM address (hexadecimal)	2F	00	01	02	03	04	05	06	07	08	09	0A

(Right shift)

Note: \*3. The DCRAM addresses are expressed in hexadecimal.



Example: When the DCRAM address is  $2E_H$ .

DA0	DA1	DA2	DA3	DA4	DA5
0	1	1	1	0	1

Note: \*4.  $5 \times 7$  dots ... 12-digit display     $5 \times 7$  dots  
 $5 \times 8$  dots ... 12-digit display     $5 \times 8$  dots  
 $5 \times 9$  dots ... 12-digit display     $4 \times 9$  dots



- **ADRAM (Additional data RAM)**

ADRAM is RAM used to store the ADATA display data. ADRAM has a capacity of  $12 \times 5$  bits, and the stored display data is displayed directly without the use of CGROM or CGRAM. The table below lists the correspondence between the 4-bit ADRAM address loaded into AC and the display position on the LCD panel.

- When the ADRAM address loaded into AC is  $0_H$ . (Number of digit displayed: 12)

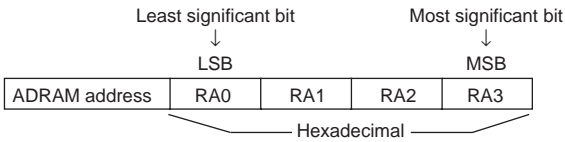
Display digit	1	2	3	4	5	6	7	8	9	10	11	12
ADRAM address (hexadecimal)	0	1	2	3	4	5	6	7	8	9	A	B

However, when the display shift is performed by specifying ADATA, the ADRAM address shifts as shown below.

Display digit	1	2	3	4	5	6	7	8	9	10	11	12	
ADRAM address (hexadecimal)	1	2	3	4	5	6	7	8	9	A	B	0	(Left shift)

Display digit	1	2	3	4	5	6	7	8	9	10	11	12	
ADRAM address (hexadecimal)	B	0	1	2	3	4	5	6	7	8	9	A	(Right shift)

Note: \*5. The ADRAM addresses are expressed in hexadecimal.



Example: When the ADRAM address is  $A_H$

RA0	RA1	RA2	RA3
0	1	0	1

Note: \*6.  $5 \times 7$  dots ... 12-digit display 5 dots  
 $5 \times 8$  dots ... 12-digit display 5 dots  
 $5 \times 9$  dots ... 12-digit display 4 dots

- **CGROM (Character generator ROM)**

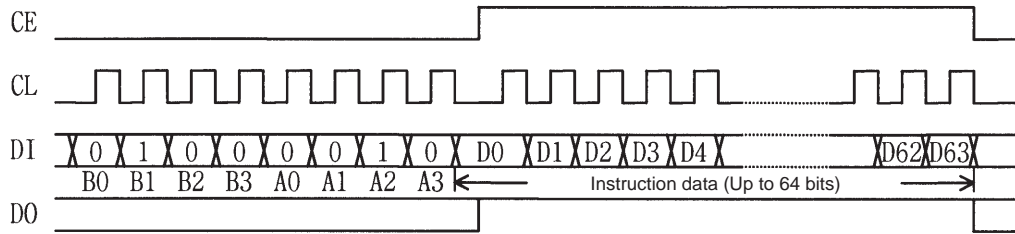
CGROM is ROM used to generate the 240 kinds of  $5 \times 7$ ,  $5 \times 8$ , or  $5 \times 9$  dot matrix character patterns from the 8-bit character codes. CGROM has a capacity of  $240 \times 45$  bits. When a character code is written to DCRAM, the character pattern stored in CGROM corresponding to the character code is displayed at the position on the LCD corresponding to the DCRAM address loaded into AC.

- **CGRAM (Character generator RAM)**

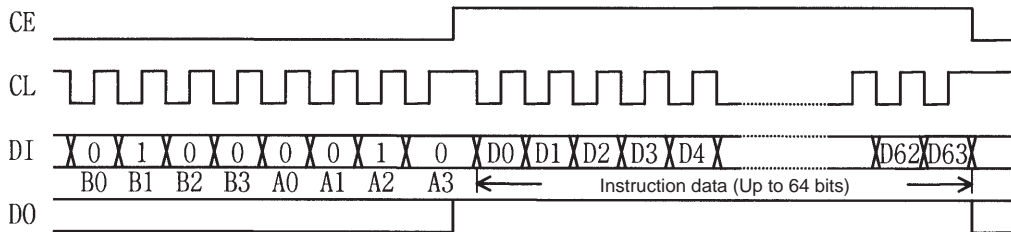
CGRAM is RAM to which user programs can freely write arbitrary character patterns. Up to 16 kinds of  $5 \times 7$ ,  $5 \times 8$ , or  $5 \times 9$  dot matrix character patterns can be stored. CGRAM has a capacity of  $16 \times 45$  bits.

**Serial Data Input**

- When CL is stopped at the low level



- When CL is stopped at the high level



- B0 to B3, A0 to A3: CCB address 42H
- D0 to D63: Instruction data

The data is acquired on the rising edge of the CL signal and latched on the falling edge of the CE signal. When transferring instruction data from the microcontroller, applications must assure that the time from the transfer of one set of instruction data until the next instruction data transfer is significantly longer than the instruction execution time.

**Instruction Table**

Instruction	D0 D1...D39	D40 D41 D42 D43 D44 D45 D46 D47	D48 D49 D50 D51 D52 D53 D54 D55	D56 D57 D58 D59	D60 D61 D62 D63	Execution time *9
Set display technique				DT1 DT2 X X	0 0 0 1	0 $\mu$ s
Display on/off control	DG1 DG2 DG3 DG4 DG5 DG6 DG7 DG8	DG9 DG10 DG11 DG12 X X X X		M A SC SP	0 0 1 0	0 $\mu$ s/27 $\mu$ s *10
Display shift				M A R/L X	0 0 1 1	27 $\mu$ s
Set AC address			DA0 DA1 DA2 DA3 DA4 DA5 X X	RA0 RA1 RA2 RA3	0 1 0 0	27 $\mu$ s
DCRAM data write *7		AC0 AC1 AC2 AC3 AC4 AC5 AC6 AC7	DA0 DA1 DA2 DA3 DA4 DA5 X X	IM X X X	0 1 0 1	27 $\mu$ s
ADRAM data write *8		AD1 AD2 AD3 AD4 AD5 X X X	RA0 RA1 RA2 RA3 X X X X	IM X X X	0 1 1 0	27 $\mu$ s
CGRAM data write	CD1 CD2...CD40	CD41 CD42 CD43 CD44 CD45 X X X	CA0 CA1 CA2 CA3 CA4 CA5 CA6 CA7	X X X X	0 1 1 1	27 $\mu$ s
Set display contrast			CT0 CT1 CT2 CT3 X X X X	CTC X X X	1 0 0 0	0 $\mu$ s
Set key scan output state			KC1 KC2 KC3 KC4 KC5 KC6 X X	X X X X	1 0 0 1	0 $\mu$ s
Set general-purpose output port state				PC1 PC2 PC3 PC4	1 0 1 0	0 $\mu$ s

Notes: \*7. The data format differs when the "DCRAM data write" instruction is executed in the increment mode (IM = 1).  
(See detailed instruction descriptions.)

\*8. The data format differs when the "ADRAM data write" instruction is executed in the increment mode (IM = 1).  
(See detailed instruction descriptions.)

\*9. The execution times listed here apply when fosc = 300 kHz. The execution times differ when the oscillator frequency fosc differs.  
Example: When fosc = 210 kHz

$$27 \mu s \times \frac{300}{210} = 39 \mu s$$

\*10. When the sleep mode (SP = 1) is set, the execution time is 27  $\mu$ s (when fosc = 300 kHz).

X: don't care

**Detailed Instruction Descriptions**

- Set display technique ... <Sets the display technique>

Code							
D56	D57	D58	D59	D60	D61	D62	D63
DT1	DT2	X	X	0	0	0	1

X: don't care

DT1, DT2: Setting the display technique

DT1	DT2	Display technique	Output pins	
			COM9	S60/COM10
0	0	1/8 duty, 1/4 bias drive	Fixed at the V <sub>LCD4</sub> level	S60
1	0	1/9 duty, 1/4 bias drive	COM9	S60
0	1	1/10 duty, 1/4 bias drive	COM9	COM10

Note: \*11 S60: Segment outputs  
COMn (n = 9, 10): Common outputs

- Display on/off control ... <Turns the display on or off>

Code																							
D40	D41	D42	D43	D44	D45	D46	D47	D48	D49	D50	D51	D52	D53	D54	D55	D56	D57	D58	D59	D60	D61	D62	D63
DG1	DG2	DG3	DG4	DG5	DG6	DG7	DG8	DG9	DG10	DG11	DG12	X	X	X	X	M	A	SC	SP	0	0	1	0

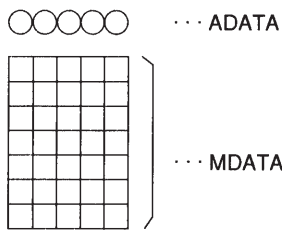
X: don't care

M, A: Specifies the data to be turned on or off

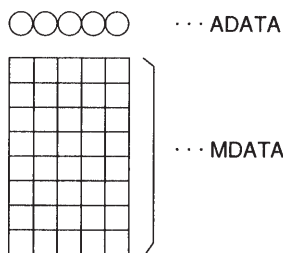
M	A	Display operating state
0	0	Both MDATA and ADATA are turned off (The display is forcibly turned off regardless of the DG1 to DG12 data.)
0	1	Only ADATA is turned on (The ADATA of display digits specified by the DG1 to DG12 data are turned on.)
1	0	Only MDATA is turned on (The MDATA of display digits specified by the DG1 to DG12 data are turned on.)
1	1	Both MDATA and ADATA are turned on (The MDATA and ADATA of display digits specified by the DG1 to DG12 data are turned on.)

Note: \*12. MDATA, ADATA

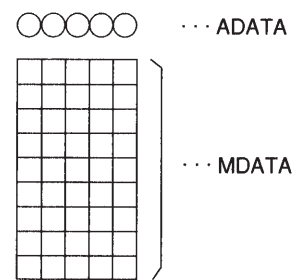
5 × 7 dot matrix display



5 × 8 dot matrix display



5 × 9 dot matrix display



A10719

DG1 to DG12: Specifies the display digit

Display digit	1	2	3	4	5	6	7	8	9	10	11	12
Display digit data	DG1	DG2	DG3	DG4	DG5	DG6	DG7	DG8	DG9	DG10	DG11	DG12

For example, if DG1 to DG6 are 1, and DG7 to DG12 are 0, then display digits 1 to 6 will be turned on, and display digits 7 to 12 will be turned off (blanked).

## LC75817E, 75817W

SC: Controls the common and segment output pins

SC	Common and segment output pin states
0	Output of LCD drive waveforms
1	Fixed at the $V_{LCD4}$ level (all segments off)

Note: \*13. When SC is 1, the S1 to S60 and COM1 to COM10 output pins are set to the  $V_{LCD4}$  level, regardless of the M, A, and DG1 to DG12 data.

SP: Controls the normal mode and sleep mode

SP	Mode
0	Normal mode
1	Sleep mode The common and segment pins go to the $V_{LCD4}$ level and the oscillator on the OSCI, OSCO pins is stopped (although it operates during key scan operations) to reduce current drain. Although the "display on/off control", "Set display contrast", "Set key scan output state", and "Set general-purpose output port state" instructions can be executed in this mode, applications must return the IC to normal mode to execute any of the other instruction settings.

• Display shift ... <Shifts the display>

Code							
D56	D57	D58	D59	D60	D61	D62	D63
M	A	R/L	X	0	0	1	1

X: don't care

M, A: Specifies the data to be shifted

M	A	Shift operating state
0	0	Neither MDATA nor ADATA is shifted
0	1	Only ADATA is shifted
1	0	Only MDATA is shifted
1	1	Both MDATA and ADATA are shifted

R/L: Shift direction specification

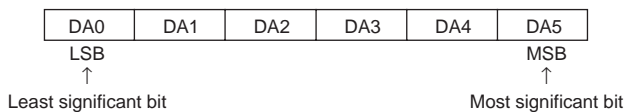
R/L	Shift direction
0	Left shift
1	Right shift

• Set AC address... <Specifies the DCRAM and ADRAM address for AC>

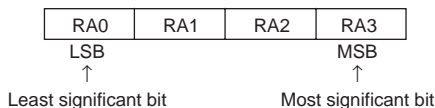
Code															
D48	D49	D50	D51	D52	D53	D54	D55	D56	D57	D58	D59	D60	D61	D62	D63
DA0	DA1	DA2	DA3	DA4	DA5	X	X	RA0	RA1	RA2	RA3	0	1	0	0

X: don't care

DA0 to DA5: DCRAM address



RA0 to RA3: ADRAM address



This instruction loads the 6-bit DCRAM address DA0 to DA5 and the 4-bit ADRAM address RA0 to RA3 into the AC.

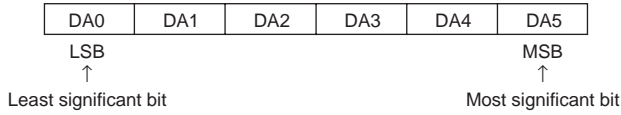
## LC75817E, 75817W

- DCRAM data write ... <Specifies the DCRAM address and stores data at that address>

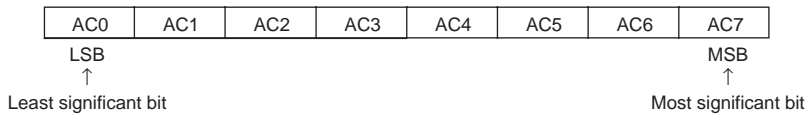
Code																							
D40	D41	D42	D43	D44	D45	D46	D47	D48	D49	D50	D51	D52	D53	D54	D55	D56	D57	D58	D59	D60	D61	D62	D63
AC0	AC1	AC2	AC3	AC4	AC5	AC6	AC7	DA0	DA1	DA2	DA3	DA4	DA5	X	X	IM	X	X	X	0	1	0	1

X: don't care

DA0 to DA5: DCRAM address



AC0 to AC7: DCRAM data (character code)



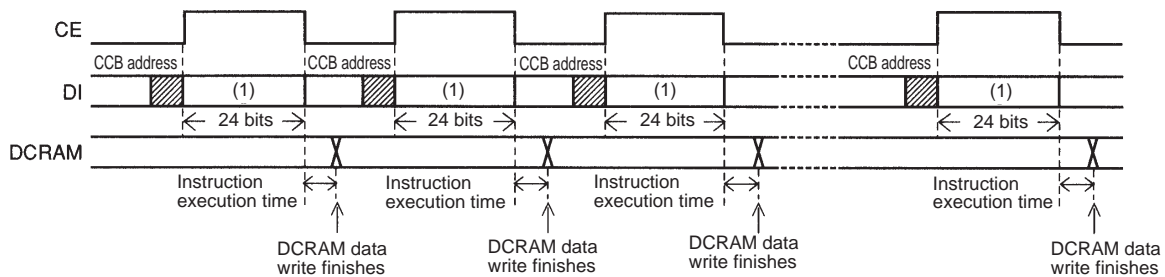
This instruction writes the 8 bits of data AC0 to AC7 to DCRAM. This data is a character code, and is converted to a 5 × 7, 5 × 8, or 5 × 9 dot matrix display data using CGROM or CGRAM.

IM: Setting the method of writing data to DCRAM

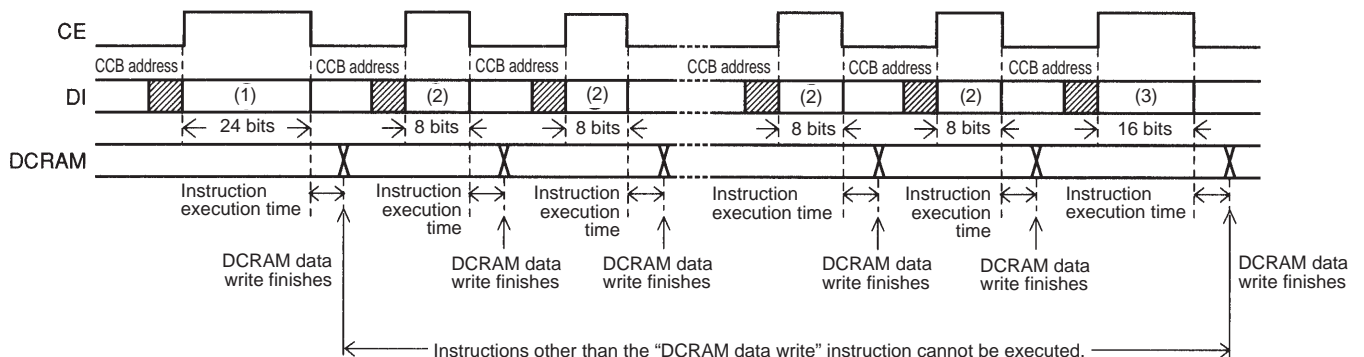
IM	DCRAM data write method
0	Normal DCRAM data write (Specifies the DCRAM address and writes the DCRAM data.)
1	Increment mode DCRAM data write (Increments the DCRAM address by +1 each time data is written to DCRAM.)

Notes: \*14.

- DCRAM data write method when IM = 0



- DCRAM data write method when IM = 1 (Instructions other than the “DCRAM data write” instruction cannot be executed.)



## LC75817E, 75817W

### Data format at (1) (24 bits)

Code																							
D40	D41	D42	D43	D44	D45	D46	D47	D48	D49	D50	D51	D52	D53	D54	D55	D56	D57	D58	D59	D60	D61	D62	D63
AC0	AC1	AC2	AC3	AC4	AC5	AC6	AC7	DA0	DA1	DA2	DA3	DA4	DA5	X	X	IM	X	X	X	0	1	0	1

X: don't care

### Data format at (2) (8 bits)

Code							
D56	D57	D58	D59	D60	D61	D62	D63
AC0	AC1	AC2	AC3	AC4	AC5	AC6	AC7

### Data format at (3) (16 bits)

Code															
D48	D49	D50	D51	D52	D53	D54	D55	D56	D57	D58	D59	D60	D61	D62	D63
AC0	AC1	AC2	AC3	AC4	AC5	AC6	AC7	0	X	X	X	0	1	0	1

X: don't care

- ADRAM data write ... <Specifies the ADRAM address and stores data at that address>

Code																							
D40	D41	D42	D43	D44	D45	D46	D47	D48	D49	D50	D51	D52	D53	D54	D55	D56	D57	D58	D59	D60	D61	D62	D63
AD1	AD2	AD3	AD4	AD5	X	X	X	RA0	RA1	RA2	RA3	X	X	X	X	IM	X	X	X	0	1	1	0

X: don't care

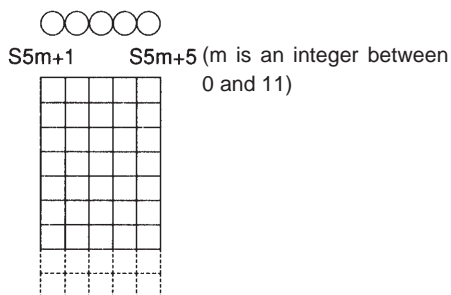
### RA0 to RA3: ADRAM address

RA0	RA1	RA2	RA3
LSB			MSB

Least significant bit                      Most significant bit

### AD1 to AD5: ADATA display data

In addition to the  $5 \times 7$ ,  $5 \times 8$ , or  $5 \times 9$  dot matrix display data (MDATA), this IC supports direct display of the five accessory display segments provided in each digit as ADATA. This display function does not use CGROM or CGRAM. The figure below shows the correspondence between the data and the display. When  $AD_n = 1$  (where n is an integer between 1 and 5) the segment corresponding to that data will be turned on.



ADATA	Corresponding output pin
AD1	$S5m + 1$ (m is an integer between 0 and 11)
AD2	$S5m + 2$
AD3	$S5m + 3$
AD4	$S5m + 4$
AD5	$S5m + 5$

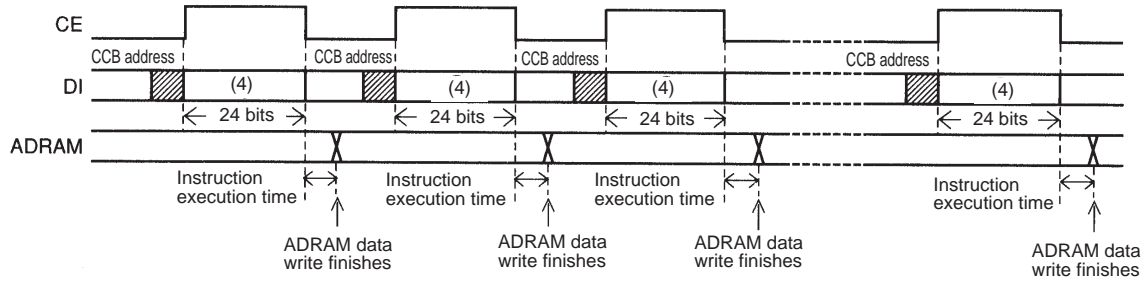
## LC75817E, 75817W

### IM: Setting the method of writing data to ADRAM

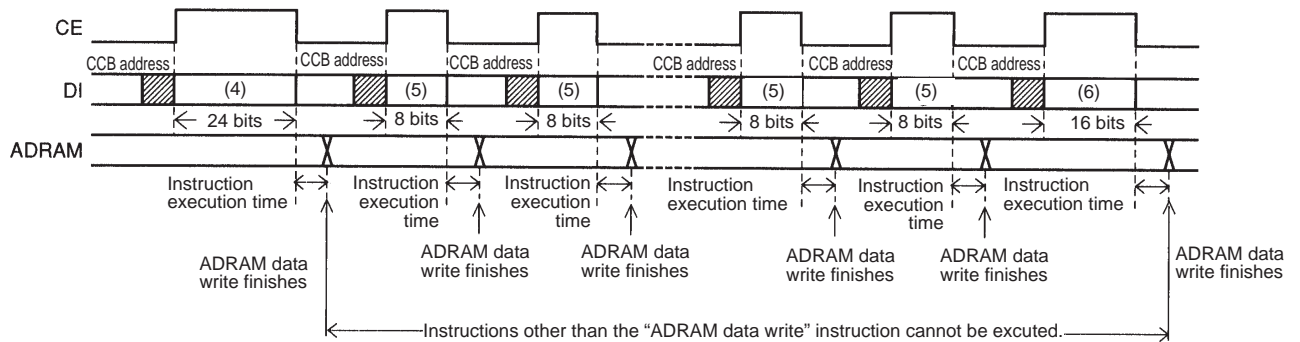
IM	ADRAM data write method
0	Normal ADRAM data write (Specifies the ADRAM address and writes the ADRAM data.)
1	Increment mode ADRAM data write (Increments the ADRAM address by +1 each time data is written to ADRAM.)

Notes: \*15.

· ADRAM data write method when IM = 0



· ADRAM data write method when IM = 1 (Instructions other than the “ADRAM data write” instruction cannot be executed.)



Data format at (4) (24 bits)

Code																							
D40	D41	D42	D43	D44	D45	D46	D47	D48	D49	D50	D51	D52	D53	D54	D55	D56	D57	D58	D59	D60	D61	D62	D63
AD1	AD2	AD3	AD4	AD5	X	X	X	RA0	RA1	RA2	RA3	X	X	X	X	IM	X	X	X	0	1	1	0

X: don't care

Data format at (5) (8 bits)

Code							
D56	D57	D58	D59	D60	D61	D62	D63
AD1	AD2	AD3	AD4	AD5	X	X	X

X: don't care

Data format at (6) (16 bits)

Code															
D48	D49	D50	D51	D52	D53	D54	D55	D56	D57	D58	D59	D60	D61	D62	D63
AD1	AD2	AD3	AD4	AD5	X	X	X	0	X	X	X	0	1	1	0

X: don't care



## LC75817E, 75817W

• CGRAM data write ... <Specifies the CGRAM address and stores data at that address>

Code															
D0	D1	D2	D3	D4	D5	D6	D7	D8	D9	D10	D11	D12	D13	D14	D15
CD1	CD2	CD3	CD4	CD5	CD6	CD7	CD8	CD9	CD10	CD11	CD12	CD13	CD14	CD15	CD16

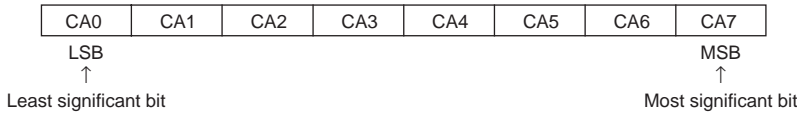
Code															
D16	D17	D18	D19	D20	D21	D22	D23	D24	D25	D26	D27	D28	D29	D30	D31
CD17	CD18	CD19	CD20	CD21	CD22	CD23	CD24	CD25	CD26	CD27	CD28	CD29	CD30	CD31	CD32

Code															
D32	D33	D34	D35	D36	D37	D38	D39	D40	D41	D42	D43	D44	D45	D46	D47
CD33	CD34	CD35	CD36	CD37	CD38	CD39	CD40	CD41	CD42	CD43	CD44	CD45	X	X	X

Code															
D48	D49	D50	D51	D52	D53	D54	D55	D56	D57	D58	D59	D60	D61	D62	D63
CA0	CA1	CA2	CA3	CA4	CA5	CA6	CA7	X	X	X	X	0	1	1	1

X: don't care

CA0 to CA7: CGRAM address



CD1 to CD45: CGRAM data (5 × 7, 5 × 8, or 5 × 9 dot matrix display data)

The bit CD<sub>n</sub> (where n is an integer between 1 and 45) corresponds to the 5 × 7, 5 × 8, or 5 × 9 dot matrix display data.

The figure below shows that correspondence. When CD<sub>n</sub> is 1 the dots which correspond to that data will be turned on.

CD1	CD2	CD3	CD4	CD5
CD6	CD7	CD8	CD9	CD10
CD11	CD12	CD13	CD14	CD15
CD16	CD17	CD18	CD19	CD20
CD21	CD22	CD23	CD24	CD25
CD26	CD27	CD28	CD29	CD30
CD31	CD32	CD33	CD34	CD35
CD36	CD37	CD38	CD39	CD40
CD41	CD42	CD43	CD44	CD45

Note: \*16. CD1 to CD35: 5 × 7 dot matrix display data  
 CD1 to CD40: 5 × 8 dot matrix display data  
 CD1 to CD45: 5 × 9 dot matrix display data

## LC75817E, 75817W

- Set display contrast ... <Sets the display contrast>

Code															
D48	D49	D50	D51	D52	D53	D54	D55	D56	D57	D58	D59	D60	D61	D62	D63
CT0	CT1	CT2	CT3	X	X	X	X	CTC	X	X	X	1	0	0	0

X: don't care

### CT0 to CT3: Display contrast setting (11 steps)

CT0	CT1	CT2	CT3	LCD drive 4/4 bias voltage supply $V_{LCD0}$ level
0	0	0	0	$0.94 V_{LCD} = V_{LCD} - (0.03 V_{LCD} \times 2)$
1	0	0	0	$0.91 V_{LCD} = V_{LCD} - (0.03 V_{LCD} \times 3)$
0	1	0	0	$0.88 V_{LCD} = V_{LCD} - (0.03 V_{LCD} \times 4)$
1	1	0	0	$0.85 V_{LCD} = V_{LCD} - (0.03 V_{LCD} \times 5)$
0	0	1	0	$0.82 V_{LCD} = V_{LCD} - (0.03 V_{LCD} \times 6)$
1	0	1	0	$0.79 V_{LCD} = V_{LCD} - (0.03 V_{LCD} \times 7)$
0	1	1	0	$0.76 V_{LCD} = V_{LCD} - (0.03 V_{LCD} \times 8)$
1	1	1	0	$0.73 V_{LCD} = V_{LCD} - (0.03 V_{LCD} \times 9)$
0	0	0	1	$0.70 V_{LCD} = V_{LCD} - (0.03 V_{LCD} \times 10)$
1	0	0	1	$0.67 V_{LCD} = V_{LCD} - (0.03 V_{LCD} \times 11)$
0	1	0	1	$0.64 V_{LCD} = V_{LCD} - (0.03 V_{LCD} \times 12)$

### CTC: Display contrast adjustment circuit state setting

CTC	Display contrast adjustment circuit state
0	The display contrast adjustment circuit is disabled, and the $V_{LCD0}$ pin level is forced to the $V_{LCD}$ level.
1	The display contrast adjustment circuit operates, and the display contrast is adjusted.

Note that although the display contrast can be adjusted by operating the built-in display contrast adjustment circuit, it is also possible to apply fine adjustments to the contrast by connecting an external variable resistor to the  $V_{LCD4}$  pin and modifying the  $V_{LCD4}$  pin voltage. However, the following conditions must be met:  $(V_{LCD0} - V_{LCD4}) \geq 4.5 \text{ V}$ , and  $1.5 \text{ V} \geq V_{LCD4} \geq 0 \text{ V}$ .

## LC75817E, 75817W

- Set key scan output state ... <Sets the key scan output pin states>

Code															
D48	D49	D50	D51	D52	D53	D54	D55	D56	D57	D58	D59	D60	D61	D62	D63
KC1	KC2	KC3	KC4	KC5	KC6	X	X	X	X	X	X	1	0	0	1

X: don't care

KC1 to KC6: Key scan output pin KS1 to KS6 state settings.

Output pin	KS1	KS2	KS3	KS4	KS5	KS6
Key scan output state setting data	KC1	KC2	KC3	KC4	KC5	KC6

For example, if KC1 to KC3 are set to 1, and KC4 to KC6 are set to 0, then the output pins KS1 to KS3 will output high levels ( $V_{DD}$ ) and the output pins KS4 to KS6 will output low levels ( $V_{SS}$ ) in the key scan standby state.

Note that key scan output signal is not output from output pins that are set low.

- Set general-purpose output port state ... <Sets the states of the general-purpose output ports>

Code							
D56	D57	D58	D59	D60	D61	D62	D63
PC1	PC2	PC3	PC4	1	0	1	0

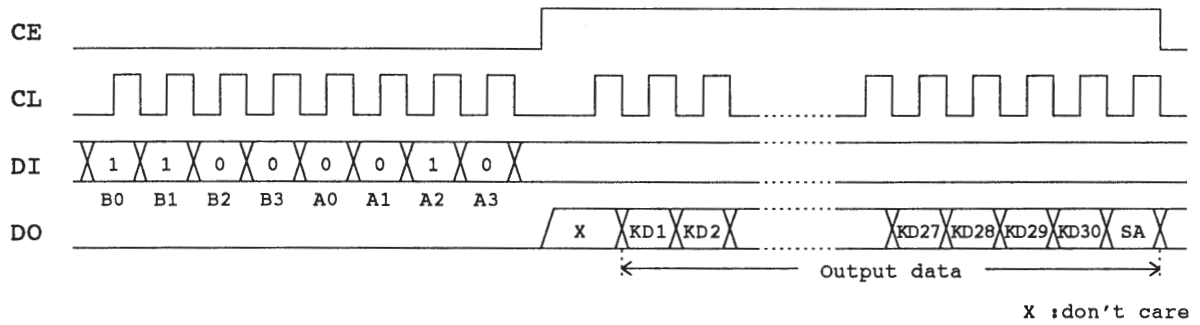
PC1 to PC4: General-purpose output port P1 to P4 state settings

Output pin	P1	P2	P3	P4
General-purpose output port state setting data	PC1	PC2	PC3	PC4

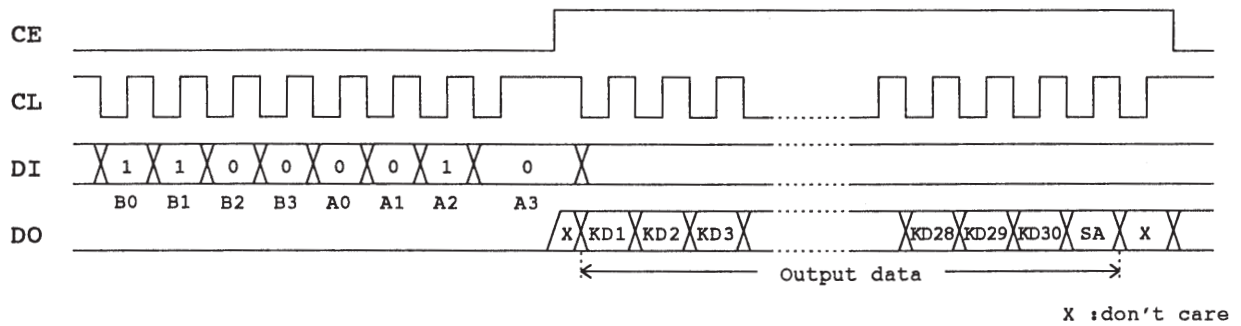
For example, if PC1 and PC2 are set to 1 and PC3 and PC4 are set to 0, then output pins P1 and P2 will output high levels ( $V_{DD}$ ) and P3 and P4 will output low levels ( $V_{SS}$ ).

**Serial Data Output**

- When CL is stopped at the low level



- When CL is stopped at the high level



- B0 to B3, A0 to A3 : CCB address 43H
- KD1 to KD30 : Key data
- SA : Sleep acknowledge data

Note: \*17. If a key data read operation is executed when DO is high, the read key data (KD1 to KD30) and sleep acknowledge data(SA) will be invalid.

## Output Data

- KD1 to KD30 : Key data

When a key matrix of up to 30 keys is formed from the KS1 to KS6 output pins and the KI1 to KI5 input pins and one of those keys is pressed, the key output data corresponding to that key will be set to 1. The table shows the relationship between those pins and the key data bits.

	KI1	KI2	KI3	KI4	KI5
KS1	KD1	KD2	KD3	KD4	KD5
KS2	KD6	KD7	KD8	KD9	KD10
KS3	KD11	KD12	KD13	KD14	KD15
KS4	KD16	KD17	KD18	KD19	KD20
KS5	KD21	KD22	KD23	KD24	KD25
KS6	KD26	KD27	KD28	KD29	KD30

When the states of the KS1 to KS6 output pins during key scan standby are set to low for KS1 and KS2 and to high for KS3 to KS6 with the “set key scan output state” instruction and a key matrix of up to 20 keys is formed from the KS3 to KS6 output pins and the KI1 to KI5 input pins, the KD1 to KD10 key data bits will be set to 0.

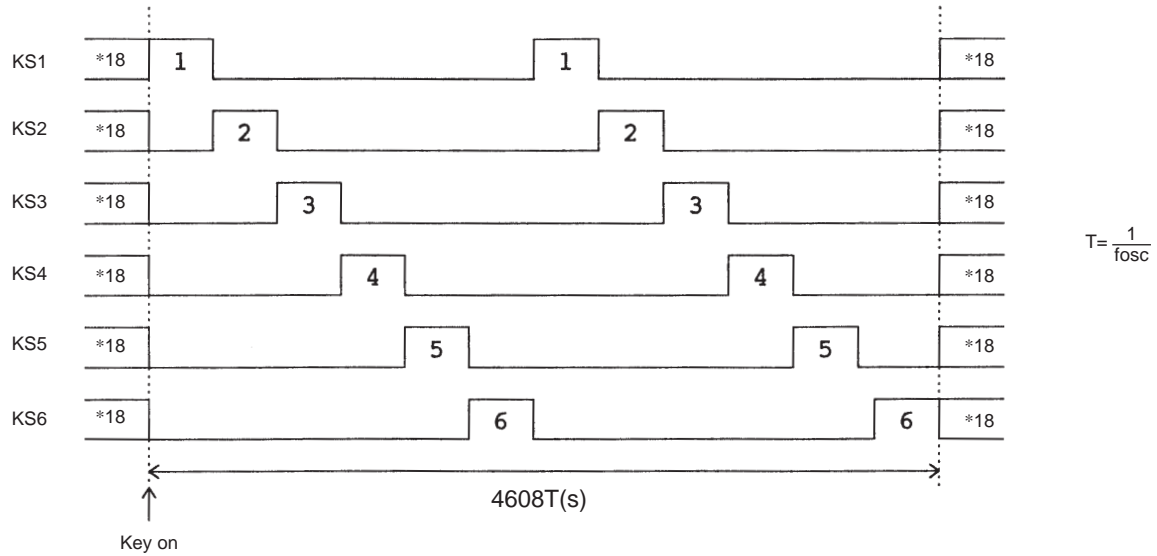
- SA : Sleep acknowledge data

This output data bit is set to the state when the key was pressed. Also, while DO will be low in this case, if serial data is input and the mode is set (to normal or sleep mode) during this period, that mode will be set. SA will be 1 in sleep mode and 0 in normal mode.

**Key Scan Operation Functions**

• Key scan timing

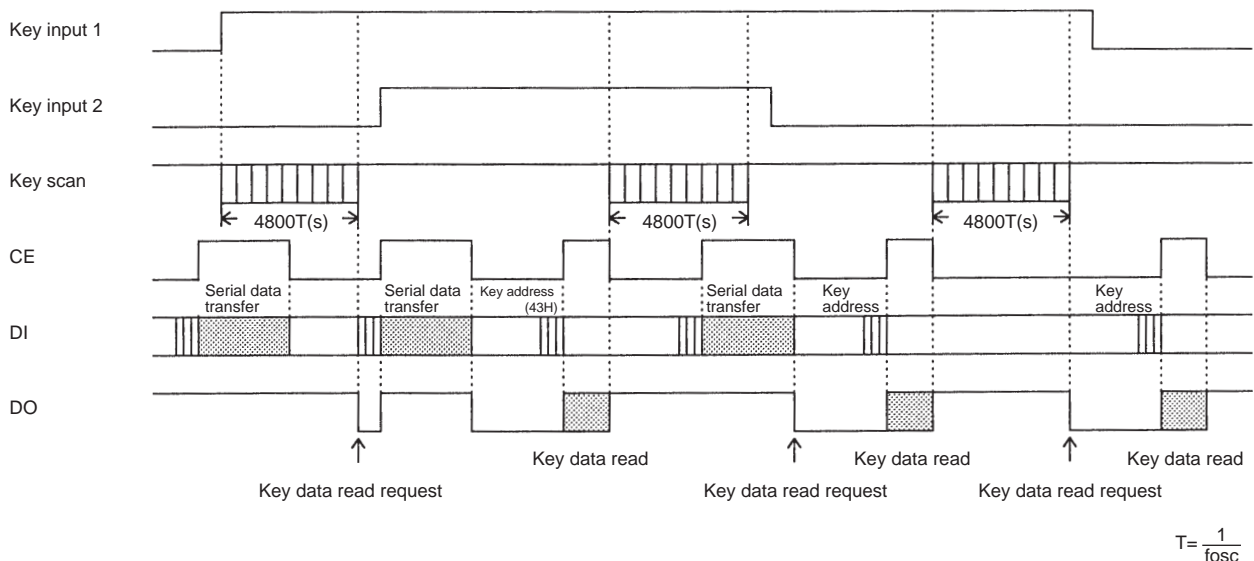
The key scan period is 2304T(s). To reliably determine the on/off state of the keys, the LC75817E/W scans the keys twice and determines that a key has been pressed when the key data agrees. It outputs a key data read request (a low level on DO) 4800T(s) after starting a key scan. If the key data dose not agree and a key was pressed at that point, it scans the keys again. Thus the LC75817E/W cannot detect a key press shorter than 4800T(s).



Note: \*18. Note that the high/low states of these pins are determined by the “set key scan output state” instruction, and that key scan output signals are not output from pins that are set to low.

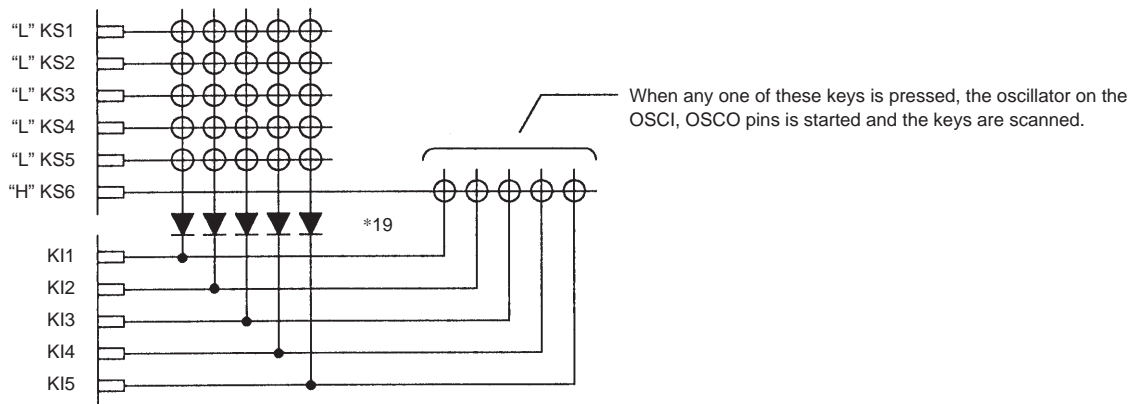
• In normal mode

- The pins KS1 to KS6 are set to high or low with the “set key scan output state” instruction.
- If a key on one of the lines corresponding to a KS1 to KS6 pin which is set high is pressed, a key scan is started and the keys are scanned until all keys are released. Multiple key presses are recognized by determining whether multiple key data bits are set.
- If a key is pressed for longer than 4800T(s) (Where  $T = \frac{1}{f_{osc}}$ ) the LC75817E/W outputs a key data read request (a low level on DO) to the controller. The controller acknowledges this request and reads the key data. However, if CE is high during a serial data transfer, DO will be set high.
- After the controller reads the key data, the key data read request is cleared (DO is set high) and the LC75817E/W performs another key scan. Also note that DO, being an open-drain output, requires a pull-up resistor (between 1 and 10 kΩ).

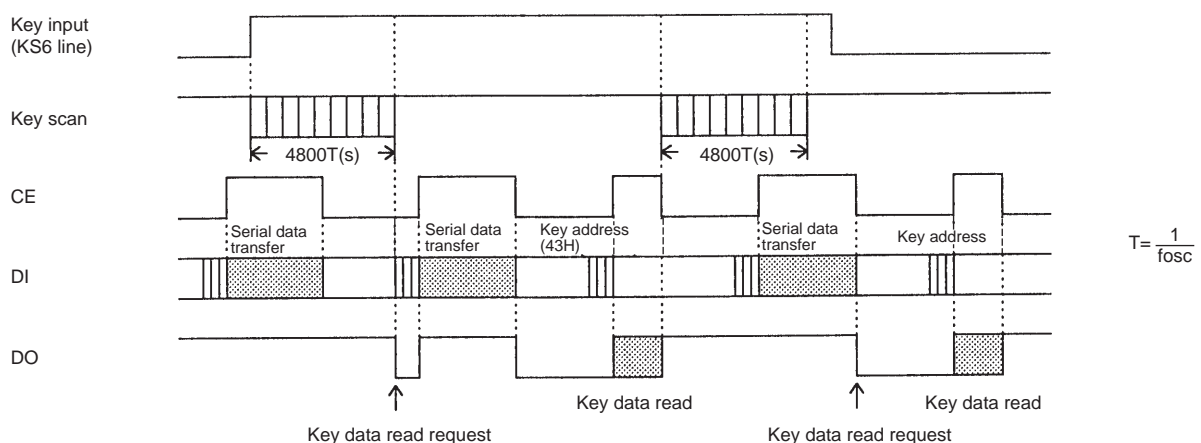


- In sleep mode
  - The pins KS1 to KS6 are set to high or low with the “set key scan output state” instruction.
  - If a key on one of the lines corresponding to a KS1 to KS6 pin which is set high is pressed, the oscillator on the OSCI, OSCO pins is started and a key scan is performed. Keys are scanned until all keys are released. Multiple key presses are recognized by determining whether multiple key data bits are set.
  - If a key is pressed for longer than  $4800T(s)$  (Where  $T = \frac{1}{f_{osc}}$ ) the LC75817E/W outputs a key data read request (a low level on DO) to the controller. The controller acknowledges this request and reads the key data. However, if CE is high during a serial data transfer, DO will be set high.
  - After the controller reads the key data, the key data read request is cleared (DO is set high) and the LC75817E/W performs another key scan. However, this does not clear sleep mode. Also note that DO, being an open-drain output, requires a pull-up resistor (between 1 and 10 kΩ).
- Sleep mode key scan example

Example: When a “display on/off control (SP = 1)” instruction and a “set key scan output state (KC1 to KC5 = 0, KC6 = 1)” instruction are executed (i.e. sleep mode with only KS6 high)



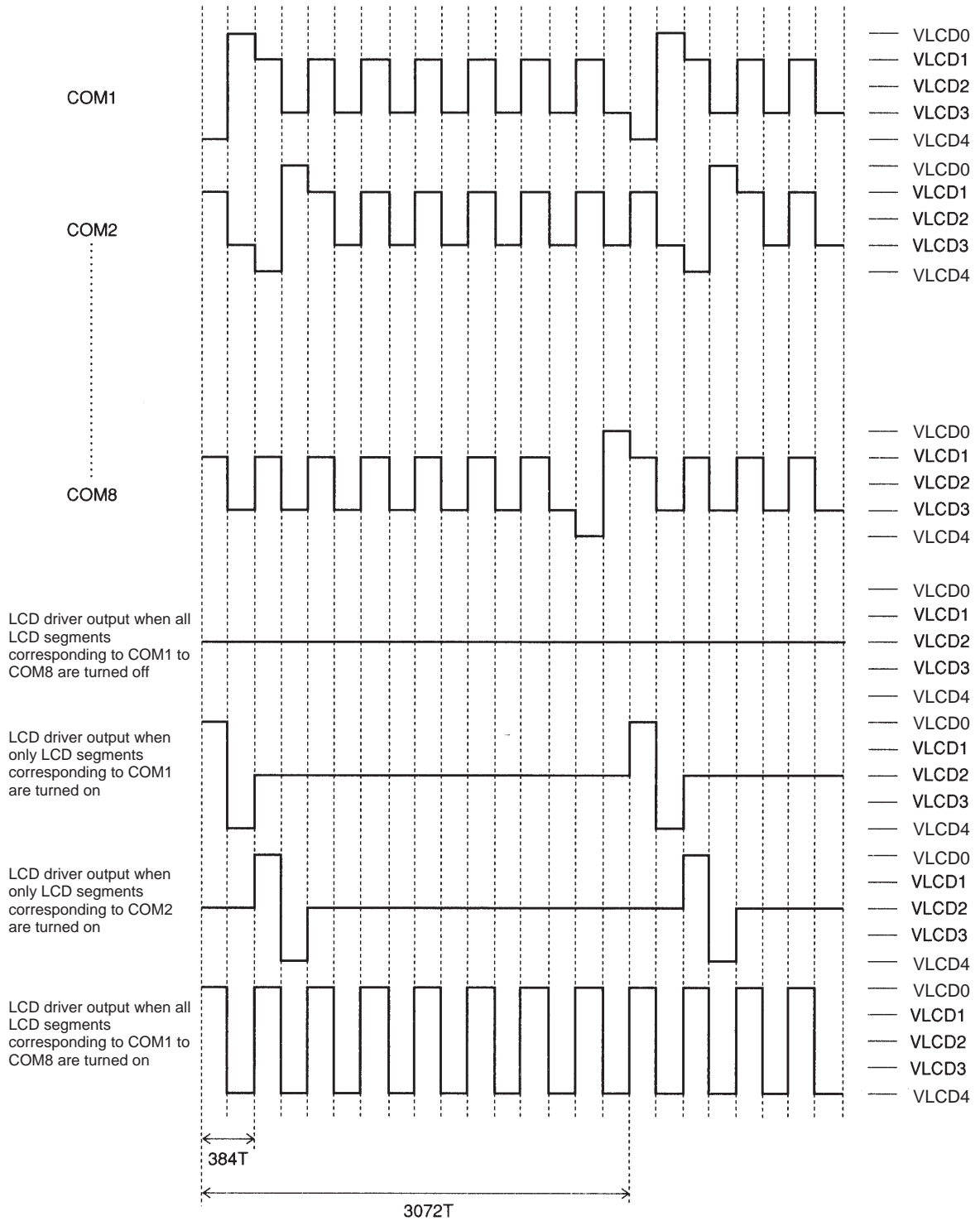
Note: \*19. These diodes are required to reliably recognize multiple key presses on the KS6 line when sleep mode state with only KS6 high, as in the above example. That is, these diodes prevent incorrect operations due to sneak currents in the KS6 key scan output signal when keys on the KS1 to KS5 lines are pressed at the same time.



### Multiple Key Presses

Although the LC75817E/W is capable of key scanning without inserting diodes for dual key presses, triple key presses on the K11 to K15 input pin lines, or multiple key presses on the KS1 to KS6 output pin lines, multiple presses other than these cases may result in keys that were not pressed recognized as having been pressed. Therefore, a diode must be inserted in series with each key. Applications that do not recognize multiple key presses of three or more keys should check the key data for three or more 1 bits and ignore such data.

1/8 Duty, 1/4 Bias Drive Technique

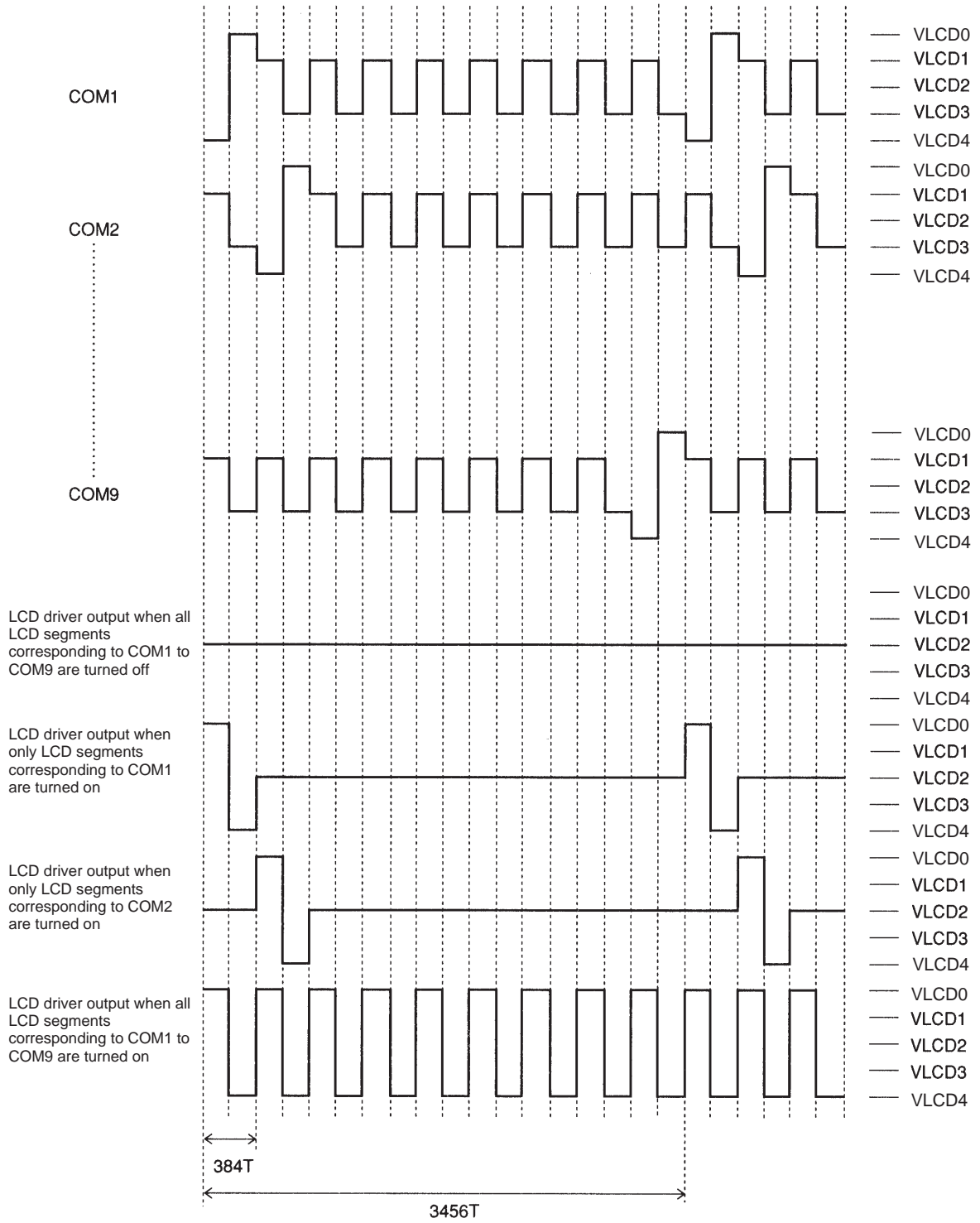


A10726

$$T = \frac{1}{f_{osc}}$$



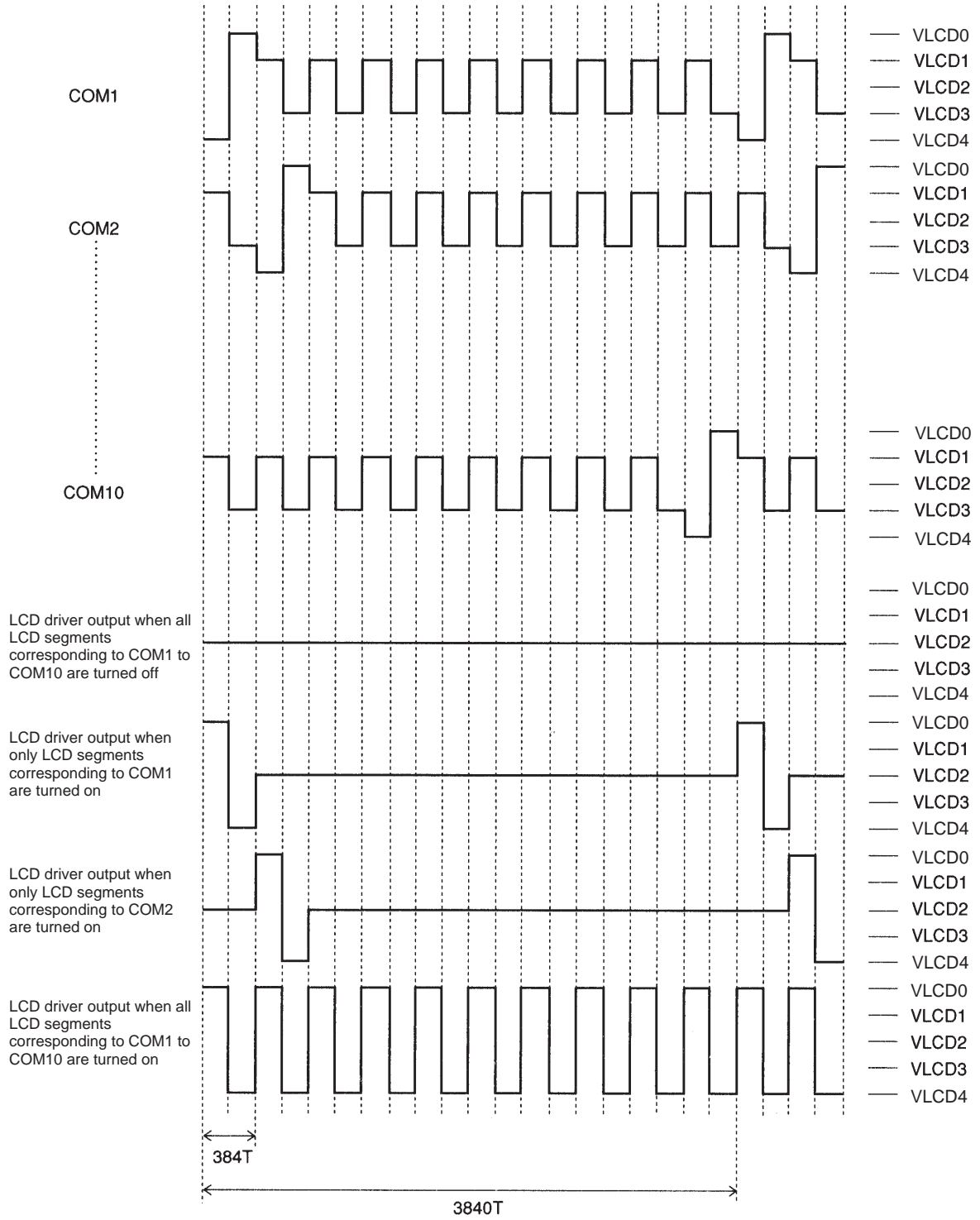
1/9 Duty, 1/4 Bias Drive Technique



A10727

$$T = \frac{1}{f_{osc}}$$

1/10 Duty, 1/4 Bias Drive Technique



A10728

$$T = \frac{1}{f_{osc}}$$

## Voltage Detection Type Reset Circuit (VDET)

This circuit generates an output signal and resets the system when logic block power is first applied and when the voltage drops, i.e., when the logic block power supply voltage is less than or equal to the power down detection voltage VDET, which is 3.0V, typical. To assure that this function operates reliably, a capacitor must be added to the logic block power supply line so that the logic block power supply voltage  $V_{DD}$  rise time when the logic block power is first applied and the logic block power supply voltage  $V_{DD}$  fall time when the voltage drops are both at least 1 ms. (See Figure 3.)

## Power Supply Sequence

The following sequences must be observed when power is turned on and off. (See Figure 3.)

- Power on :Logic block power supply( $V_{DD}$ ) on → LCD driver block power supply( $V_{LCD}$ ) on
- Power off:LCD driver block power supply( $V_{LCD}$ ) off → Logic block power supply( $V_{DD}$ ) off

However, if the logic and LCD driver blocks use a shared power supply, then the power supplies can be turned on and off at the same time.

## System Reset

### 1. Reset function

The LC75817E/W performs a system reset with the VDET. When a system reset is applied, the display is turned off, key scanning is disabled, the key data is reset, and the general-purpose ports are set to and held at the low level ( $V_{SS}$ ). These states that are created as a result of the system reset can be cleared by executing the instruction described below. (See figure 3.)

- Clearing the display off state

Display operation can be enabled by executing a “display on/off control” instruction. However, since the contents of the DGRAM, ADRAM, and CGRAM are undefined, applications must set the contents of these memories before turning on display with the “display on/off control” instruction. That is, applications must execute the following instructions.

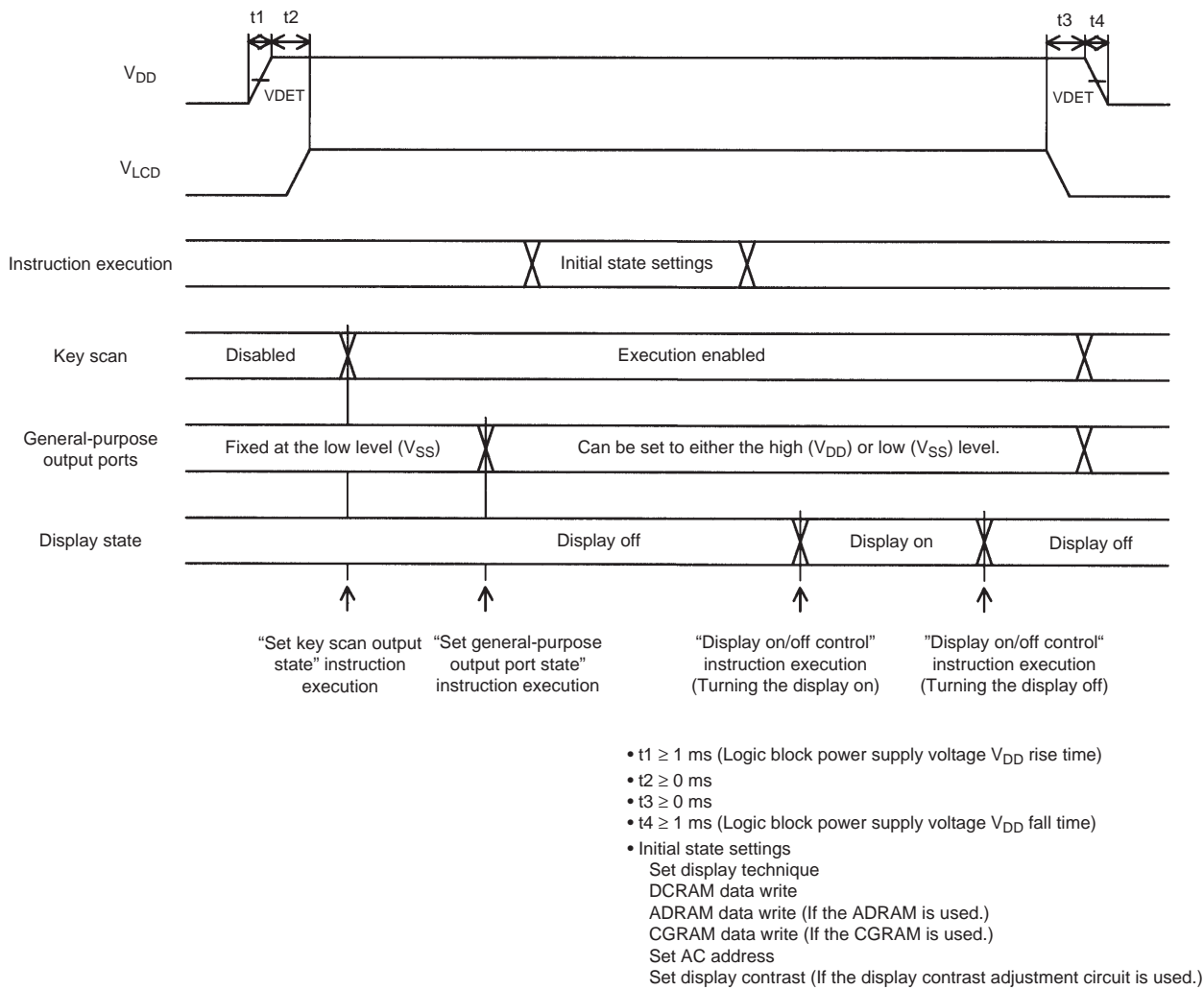
- Set display technique
- DGRAM data write
- ADRAM data write (If the ADRAM is used.)
- CGRAM data write (If the CGRAM is used.)
- Set AC address
- Set display contrast (If the display contrast adjustment circuit is used.)

After executing the above instructions, applications must turn on the display with a “display on/off control” instruction.

Note that when applications turn off in the normal mode, applications must turn off the display with a “display on/off control” instruction or the  $\overline{INH}$  pin.

- Clearing the key scan disable and key data reset states  
Executing a “set key scan output state” instruction not only creates a state in which key scanning can be performed, but also clears the key data reset.
- Clearing the general-purpose output ports locked at the low level ( $V_{SS}$ ) state  
Executing a “set general-purpose output port state” instruction clears the general-purpose output ports locked at the low level ( $V_{SS}$ ) state and sets the states of the general-purpose output ports.

## LC75817E, 75817W



**Figure 3**

2. Block states during a system reset

(1) CLOCK GENERATOR, TIMING GENERATOR

When a reset is applied, the oscillator on the OSCI, OSCO pins is started forcibly. This generates the base clock and enables instruction execution.

(2) INSTRUCTION REGISTER, INSTRUCTION DECODER

When a reset is applied, these circuits are forcibly initialized internally. Then, when instruction execution starts, the IC operates according to those instructions.

(3) ADDRESS REGISTER, ADDRESS COUNTER

When a reset is applied, these circuits are forcibly initialized internally. Then, the DGRAM and the AGRAM addresses are set when "Set AC address" instruction is executed.

(4) DGRAM, AGRAM, CGRAM

Since the contents of the DGRAM, AGRAM, and CGRAM become undefined during a reset, applications must execute "DGRAM data write", "AGRAM data write (If the AGRAM is used.)", and "CGRAM data write (If the CGRAM is used.)" instructions before executing a "display on/off control" instruction.

(5) CGROM

Character patterns are stored in this ROM.

(6) LATCH

Although the value of the data in the latch is undefined during a reset, the AGRAM, CGROM, and CGRAM data is stored by executing a "display on/off control" instruction.

(7) COMMON DRIVER, SEGMENT DRIVER

These circuits are forced to the display off state when a reset is applied.

(8) CONTRAST ADJUSTER

Display contrast adjustment circuit operation is disabled when a reset is applied. After that, the display contrast can be set by executing a "set display contrast" instruction.

(9) KEY SCAN, KEY BUFFER

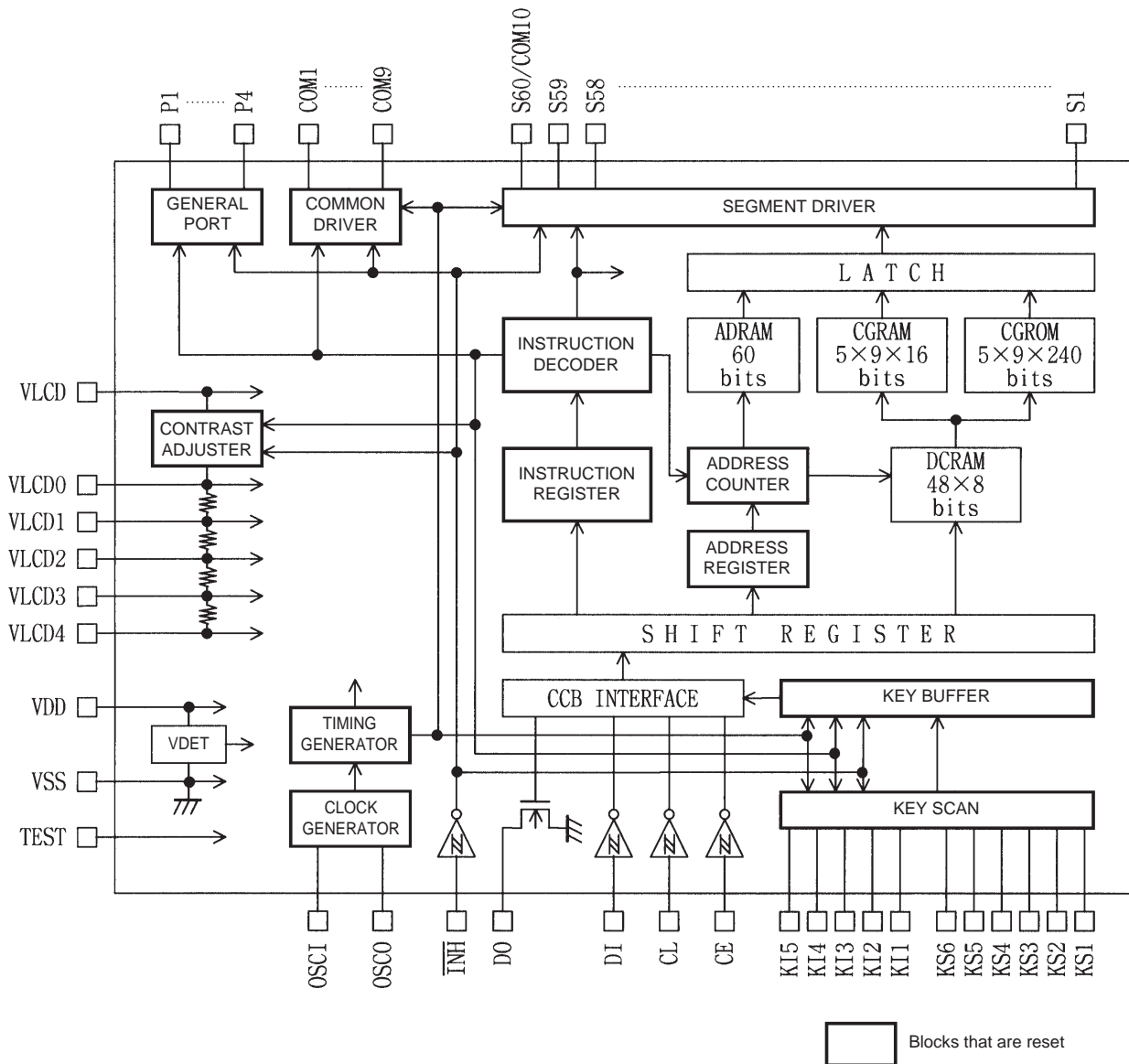
When a reset is applied, these circuits are forcibly initialized internally, and key scan operation is disabled. Also, the key data is all set to 0. After that, key scanning can be performed by executing a "set key scan output state" instruction.

(10) GENERAL PORT

The general-purpose output ports are fixed at the low level ( $V_{SS}$ ) when a reset is applied.

(11) CCB INTERFACE, SHIFT REGISTER

These circuits go to the serial data input wait state.



### 3. Output pin states during the reset period

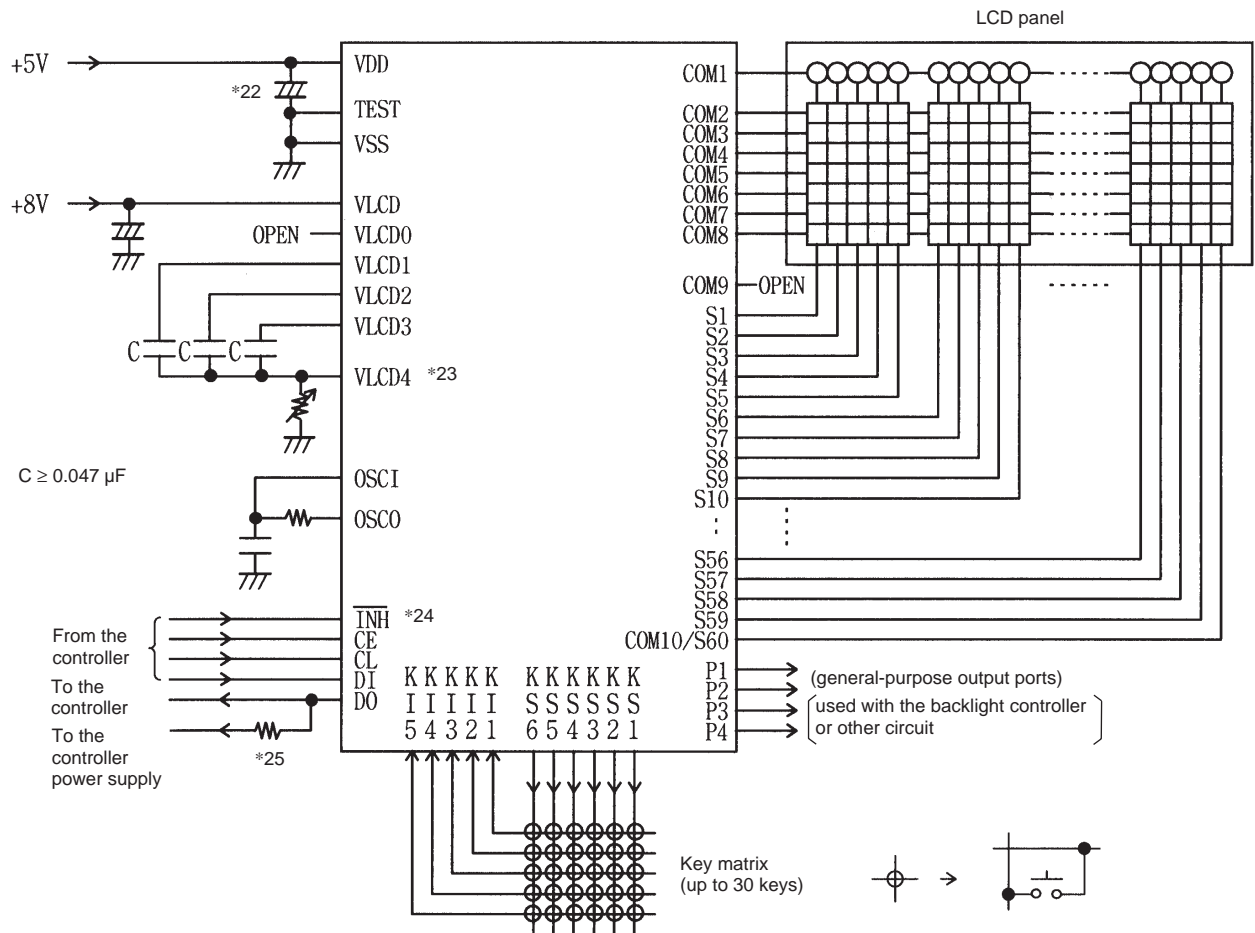
Output pin	State during reset
S1 to S59	L ( $V_{LCD4}$ )
S60/COM10	L ( $V_{LCD4}$ )*20
COM1 to COM9	L ( $V_{LCD4}$ )
KS1 to KS6	L ( $V_{SS}$ )
P1 to P4	L ( $V_{SS}$ )
DO	H *21

Notes: \*20. This output pin is forcibly set to its segment output function and held at the low level ( $V_{LCD4}$ ). However, when a "set display technique" instruction is executed, the segment output or the common output function is selected as specified by that instruction.

\*21. Since this output pin is an open-drain output, a pull-up resistor (between 1 k $\Omega$  and 10 k $\Omega$ ) is required. This pin is held at the high level even if a key data read operation is performed before executing a "set key scan output state" instruction.

**Sample Application Circuit 1**

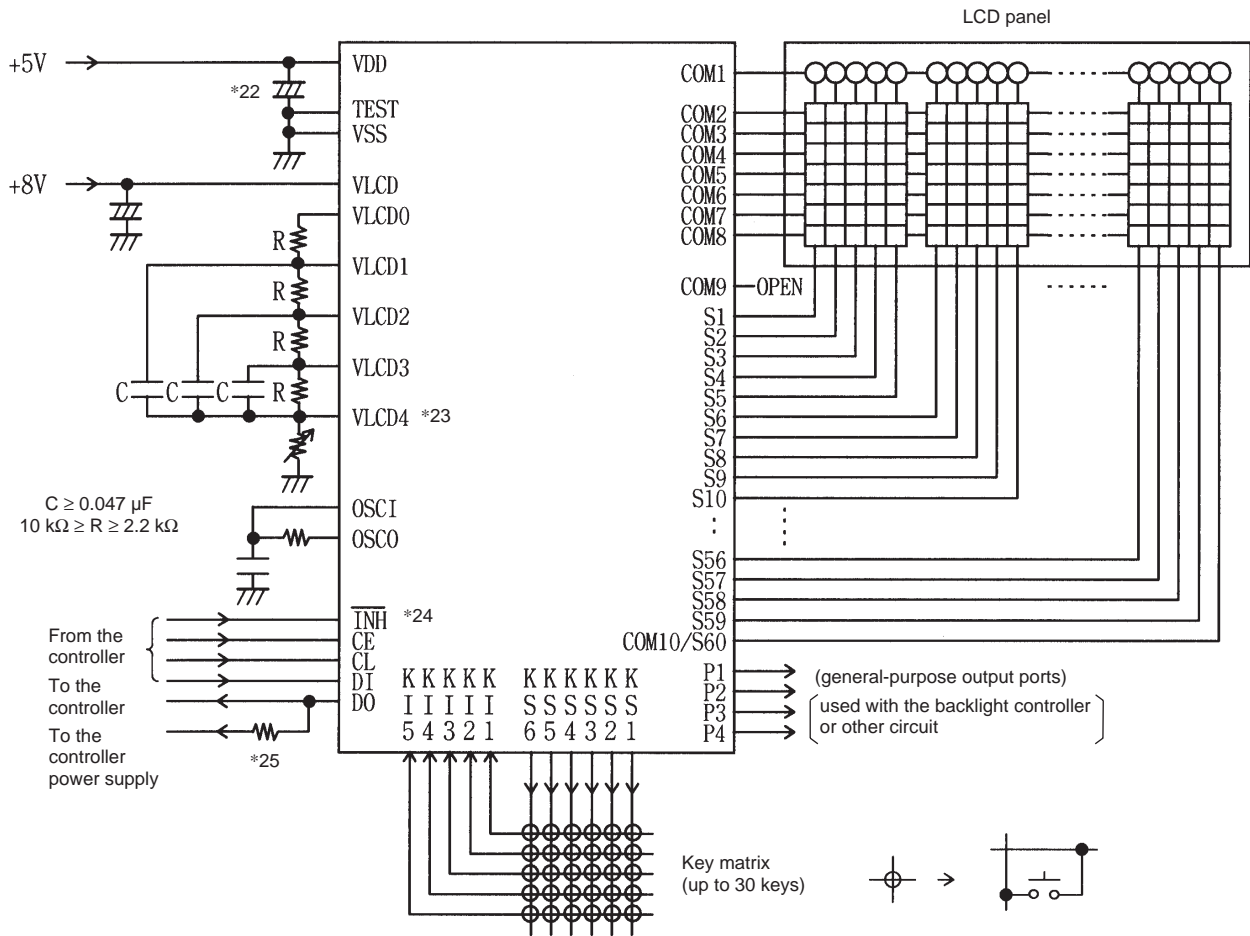
1/8 duty, 1/4 bias drive technique (for use with normal panels)



- Notes: \*22. Add a capacitor to the logic block power supply line so that the logic block power supply voltage  $V_{DD}$  rise time when power is applied and the logic block power supply voltage  $V_{DD}$  fall time when power drops are both at least 1 ms, as the LC75817E/W is reset by the VDET.
- \*23. If a variable resistor is not used for display contrast fine adjustment, the  $V_{LCD4}$  pin must be connected to ground.
- \*24. If the  $\overline{INH}$  pin is not used, it must be connected to the logic block power supply  $V_{DD}$ .
- \*25. The DO pin, being an open-drain output, requires a pull-up resistor. Select a resistance (between 1 to 10 k $\Omega$ ) appropriate for the capacitance of the external wiring so that signal waveforms are not degraded.

**Sample Application Circuit 2**

1/8 duty, 1/4 bias drive technique (for use with large panels)

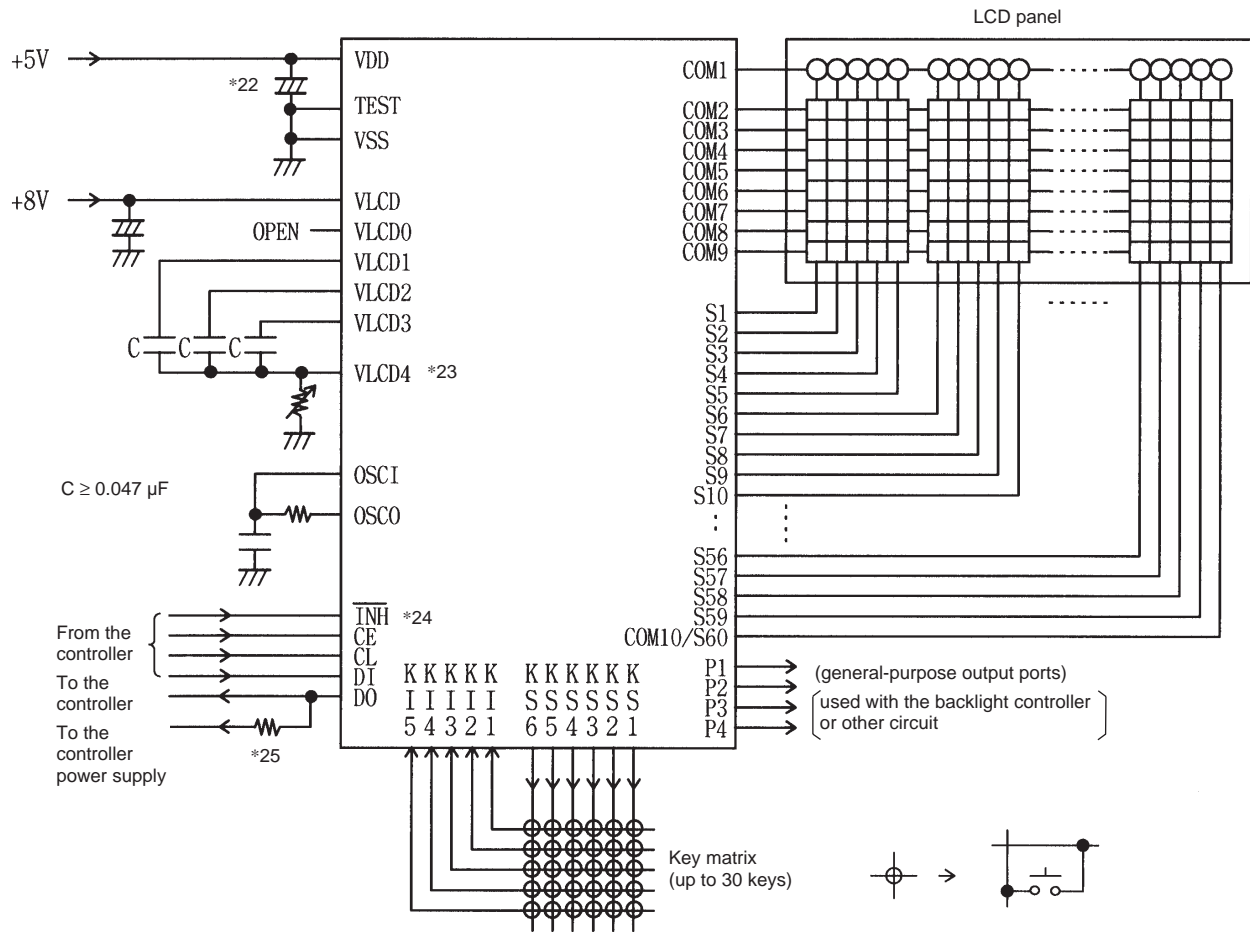


- Notes:
- \*22. Add a capacitor to the logic block power supply line so that the logic block power supply voltage  $V_{DD}$  rise time when power is applied and the logic block power supply voltage  $V_{DD}$  fall time when power drops are both at least 1 ms, as the LC75817E/W is reset by the VDET.
  - \*23. If a variable resistor is not used for display contrast fine adjustment, the  $V_{LCD4}$  pin must be connected to ground.
  - \*24. If the  $\overline{\text{INH}}$  pin is not used, it must be connected to the logic block power supply  $V_{DD}$ .
  - \*25. The DO pin, being an open-drain output, requires a pull-up resistor. Select a resistance (between 1 to 10 k $\Omega$ ) appropriate for the capacitance of the external wiring so that signal waveforms are not degraded.



Sample Application Circuit 3

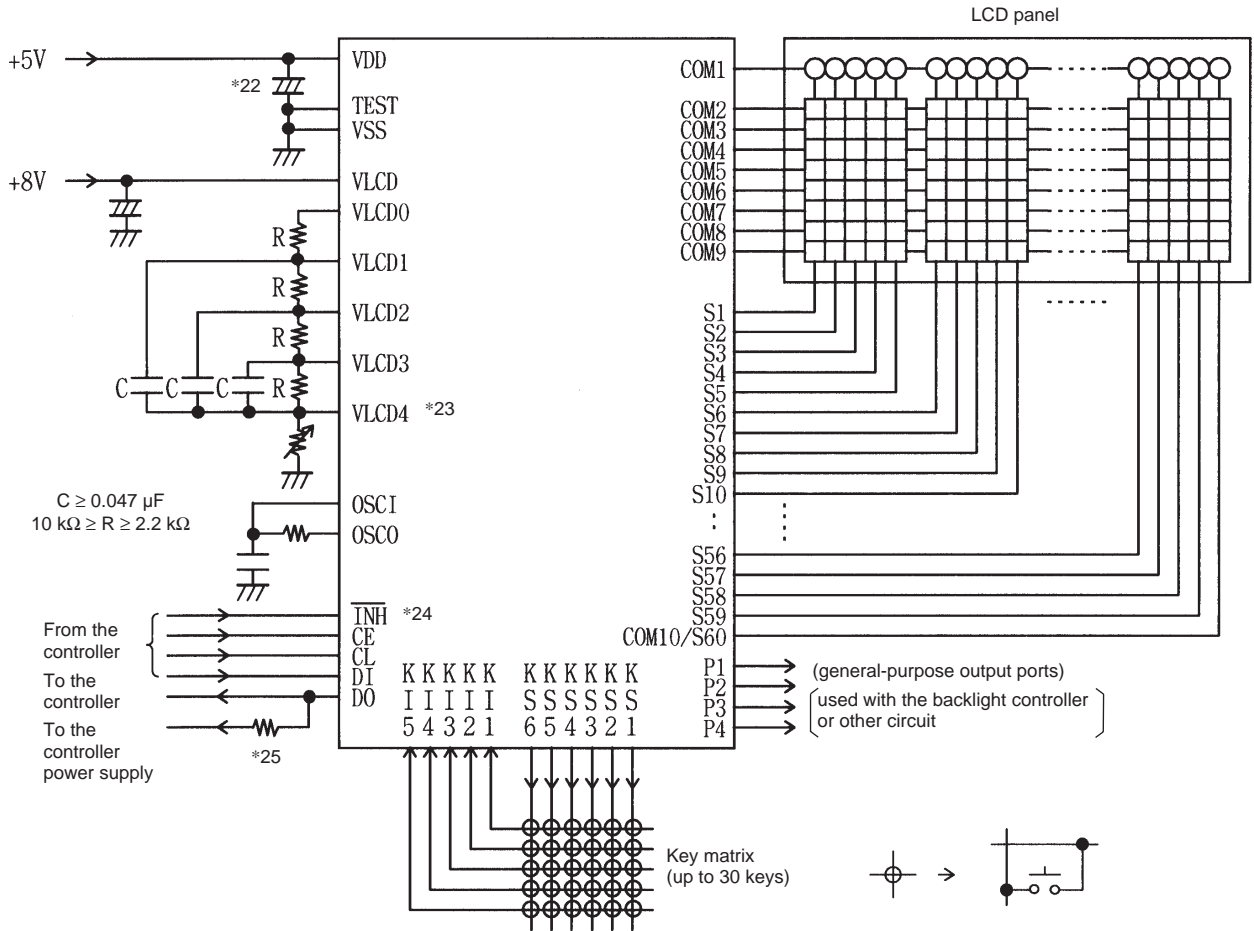
1/9 duty, 1/4 bias drive technique (for use with normal panels)



- Notes: \*22. Add a capacitor to the logic block power supply line so that the logic block power supply voltage  $V_{DD}$  rise time when power is applied and the logic block power supply voltage  $V_{DD}$  fall time when power drops are both at least 1 ms, as the LC75817E/W is reset by the VDET.
- \*23. If a variable resistor is not used for display contrast fine adjustment, the  $V_{LCD4}$  pin must be connected to ground.
- \*24. If the  $\overline{INH}$  pin is not used, it must be connected to the logic block power supply  $V_{DD}$ .
- \*25. The DO pin, being an open-drain output, requires a pull-up resistor. Select a resistance (between 1 to 10 k $\Omega$ ) appropriate for the capacitance of the external wiring so that signal waveforms are not degraded.

**Sample Application Circuit 4**

1/9 duty, 1/4 bias drive technique (for use with large panels)



Notes: \*22. Add a capacitor to the logic block power supply line so that the logic block power supply voltage  $V_{DD}$  rise time when power is applied and the logic block power supply voltage  $V_{DD}$  fall time when power drops are both at least 1 ms, as the LC75817E/W is reset by the VDET.

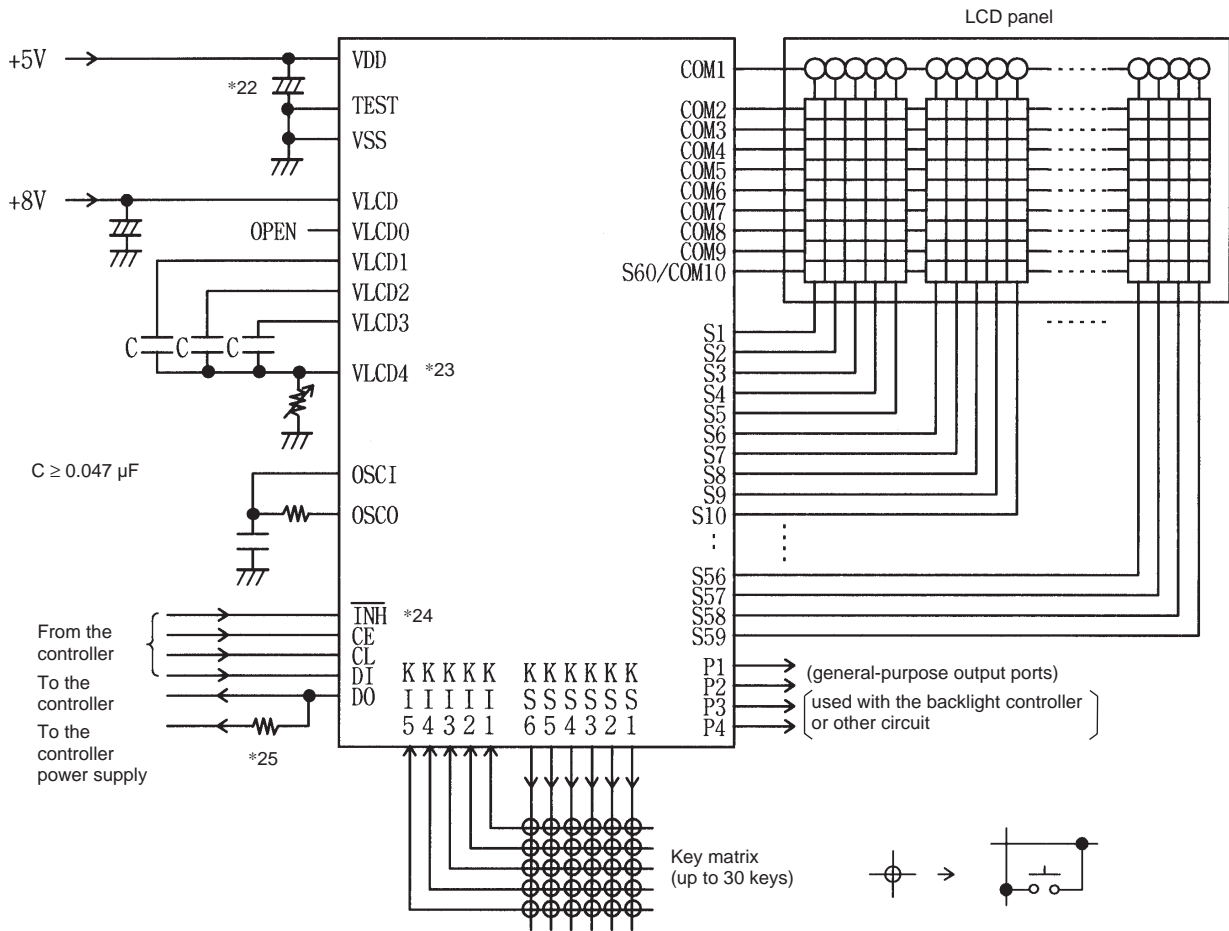
\*23. If a variable resistor is not used for display contrast fine adjustment, the  $V_{LCD4}$  pin must be connected to ground.

\*24. If the  $\overline{\text{INH}}$  pin is not used, it must be connected to the logic block power supply  $V_{DD}$ .

\*25. The DO pin, being an open-drain output, requires a pull-up resistor. Select a resistance (between 1 to 10 k $\Omega$ ) appropriate for the capacitance of the external wiring so that signal waveforms are not degraded.

**Sample Application Circuit 5**

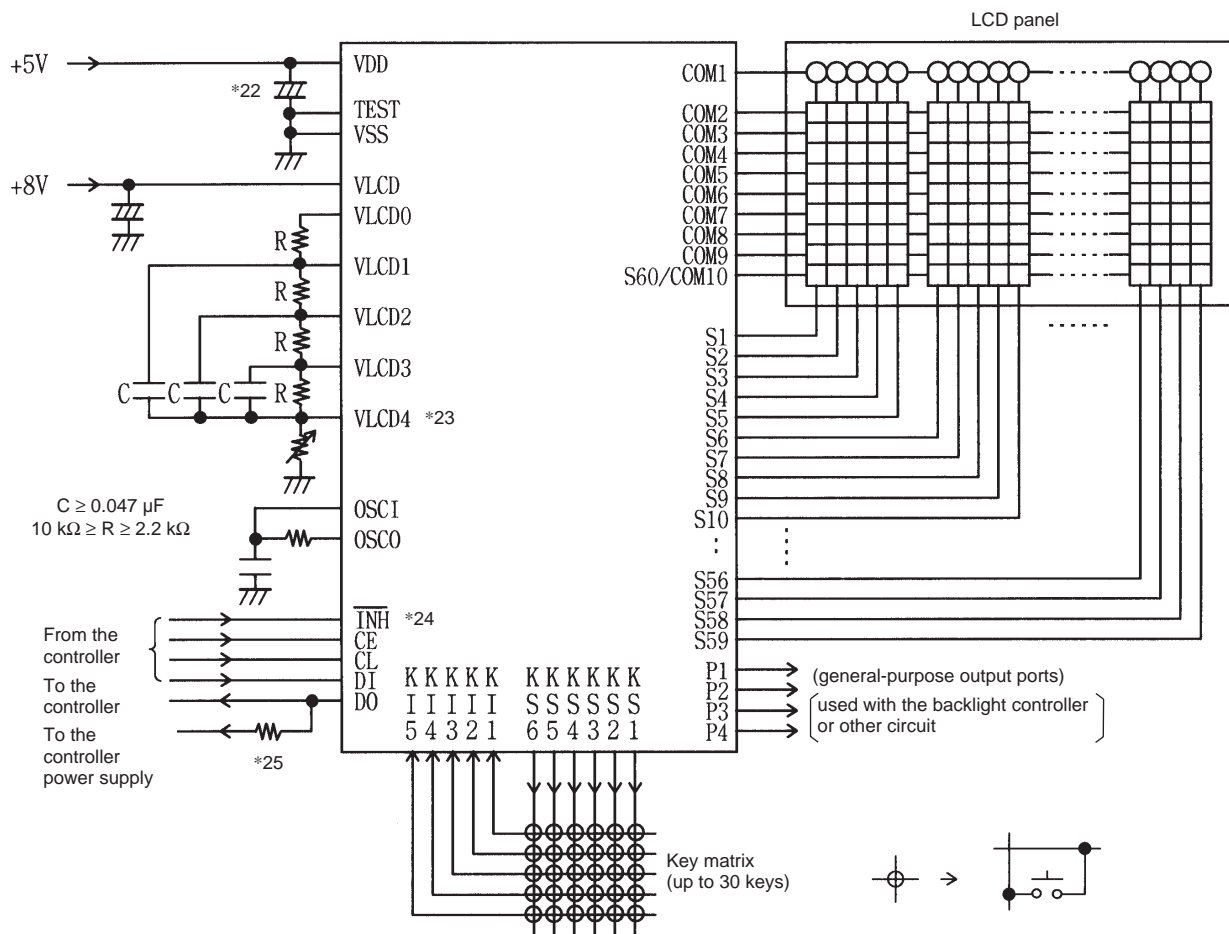
1/10 duty, 1/4 bias drive technique (for use with normal panels)



- Notes:
- \*22. Add a capacitor to the logic block power supply line so that the logic block power supply voltage  $V_{DD}$  rise time when power is applied and the logic block power supply voltage  $V_{DD}$  fall time when power drops are both at least 1 ms, as the LC75817E/W is reset by the VDET.
  - \*23. If a variable resistor is not used for display contrast fine adjustment, the  $V_{LCD4}$  pin must be connected to ground.
  - \*24. If the  $\overline{INH}$  pin is not used, it must be connected to the logic block power supply  $V_{DD}$ .
  - \*25. The DO pin, being an open-drain output, requires a pull-up resistor. Select a resistance (between 1 to 10 k $\Omega$ ) appropriate for the capacitance of the external wiring so that signal waveforms are not degraded.

Sample Application Circuit 6

1/10 duty, 1/4 bias drive technique (for use with large panels)



- Notes: \*22. Add a capacitor to the logic block power supply line so that the logic block power supply voltage  $V_{DD}$  rise time when power is applied and the logic block power supply voltage  $V_{DD}$  fall time when power drops are both at least 1 ms, as the LC75817E/W is reset by the VDET.
- \*23. If a variable resistor is not used for display contrast fine adjustment, the  $V_{LCD4}$  pin must be connected to ground.
- \*24. If the  $\overline{INH}$  pin is not used, it must be connected to the logic block power supply  $V_{DD}$ .
- \*25. The DO pin, being an open-drain output, requires a pull-up resistor. Select a resistance (between 1 to 10 k $\Omega$ ) appropriate for the capacitance of the external wiring so that signal waveforms are not degraded.

**LC75817E, 75817W**

**Sample Correspondence between Instructions and the Display (When the LC75817-8720 is used)**

No.	Instruction (hexadecimal)						Display	Operation
	LSB D40 to D43	D44 to D47	D48 to D51	D52 to D55	D56 to D59	MSB D60 to D63		
1	Power application (Initialization with the VDET.)						<input type="text"/>	Initializes the IC. The display is in the off state.
2	Set display technique						<input type="text"/>	Sets to 1/8 duty 1/4 bias display drive technique
3	DCRAM data write (increment mode)						<input type="text"/>	Writes the display data " " to DCRAM address 00H
4	DCRAM data write (increment mode)						<input type="text"/>	Writes the display data "S" to DCRAM address 01H
5	DCRAM data write (increment mode)						<input type="text"/>	Writes the display data "A" to DCRAM address 02H
6	DCRAM data write (increment mode)						<input type="text"/>	Writes the display data "N" to DCRAM address 03H
7	DCRAM data write (increment mode)						<input type="text"/>	Writes the display data "Y" to DCRAM address 04H
8	DCRAM data write (increment mode)						<input type="text"/>	Writes the display data "O" to DCRAM address 05H
9	DCRAM data write (increment mode)						<input type="text"/>	Writes the display data " " to DCRAM address 06H
10	DCRAM data write (increment mode)						<input type="text"/>	Writes the display data "L" to DCRAM address 07H
11	DCRAM data write (increment mode)						<input type="text"/>	Writes the display data "S" to DCRAM address 08H
12	DCRAM data write (increment mode)						<input type="text"/>	Writes the display data "I" to DCRAM address 09H
13	DCRAM data write (increment mode)						<input type="text"/>	Writes the display data " " to DCRAM address 0AH
14	DCRAM data write (increment mode)						<input type="text"/>	Writes the display data " " to DCRAM address 0BH
15	DCRAM data write (increment mode)						<input type="text"/>	Writes the display data "L" to DCRAM address 0CH
16	DCRAM data write (increment mode)						<input type="text"/>	Writes the display data "C" to DCRAM address 0DH
17	DCRAM data write (increment mode)						<input type="text"/>	Writes the display data "7" to DCRAM address 0EH
18	DCRAM data write (increment mode)						<input type="text"/>	Writes the display data "5" to DCRAM address 0FH
19	DCRAM data write (increment mode)						<input type="text"/>	Writes the display data "8" to DCRAM address 10H
20	DCRAM data write (increment mode)						<input type="text"/>	Writes the display data "1" to DCRAM address 11H
21	DCRAM data write (increment mode)						<input type="text"/>	Writes the display data "7" to DCRAM address 12H

Continued on next page.

## LC75817E, 75817W

Continued from preceding page.

No.	Instruction (hexadecimal)						Display	Operation
	LSB D40 to D43	D44 to D47	D48 to D51	D52 to D55	D56 to D59	MSB D60 to D63		
22	Set AC address						[ ]	Loads the DGRAM address 00H and the ADRAM address 0H into AC
			0	0	0	2		
23	Display on/off control						[ S A N Y O L S I ]	Turns on the LCD for all digits (12 digits) in MDATA
	F	F	F	X	1	4		
24	Display shift						[ S A N Y O L S I L ]	Shifts the display (MDATA only) to the left
					1	C		
25	Display shift						[ A N Y O L S I L C ]	Shifts the display (MDATA only) to the left
					1	C		
26	Display shift						[ N Y O L S I L C 7 ]	Shifts the display (MDATA only) to the left
					1	C		
27	Display shift						[ Y O L S I L C 7 5 ]	Shifts the display (MDATA only) to the left
					1	C		
28	Display shift						[ O L S I L C 7 5 8 ]	Shifts the display (MDATA only) to the left
					1	C		
29	Display shift						[ L S I L C 7 5 8 1 ]	Shifts the display (MDATA only) to the left
					1	C		
30	Display shift						[ L S I L C 7 5 8 1 7 ]	Shifts the display (MDATA only) to the left
					1	C		
31	Display on/off control						[ ]	Set to sleep mode, turns off the LCD for all digits
	0	0	0	X	8	4		
32	Display on/off control						[ L S I L C 7 5 8 1 7 ]	Turns on the LCD for all digits (12 digits) in MDATA
	F	F	F	X	1	4		
33	Set AC address						[ S A N Y O L S I ]	Loads the DGRAM address 00H and the ADRAM address 0H into AC
			0	0	0	2		

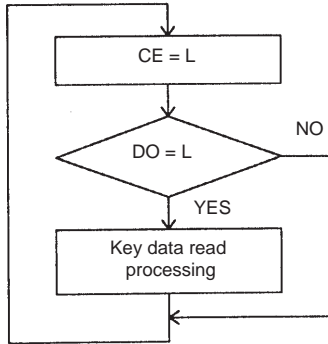
Note: \*26. This example above assumes the use of 12 digits 5 × 7 dot matrix LCD. CGRAM and ADRAM are not used.

X: don't care

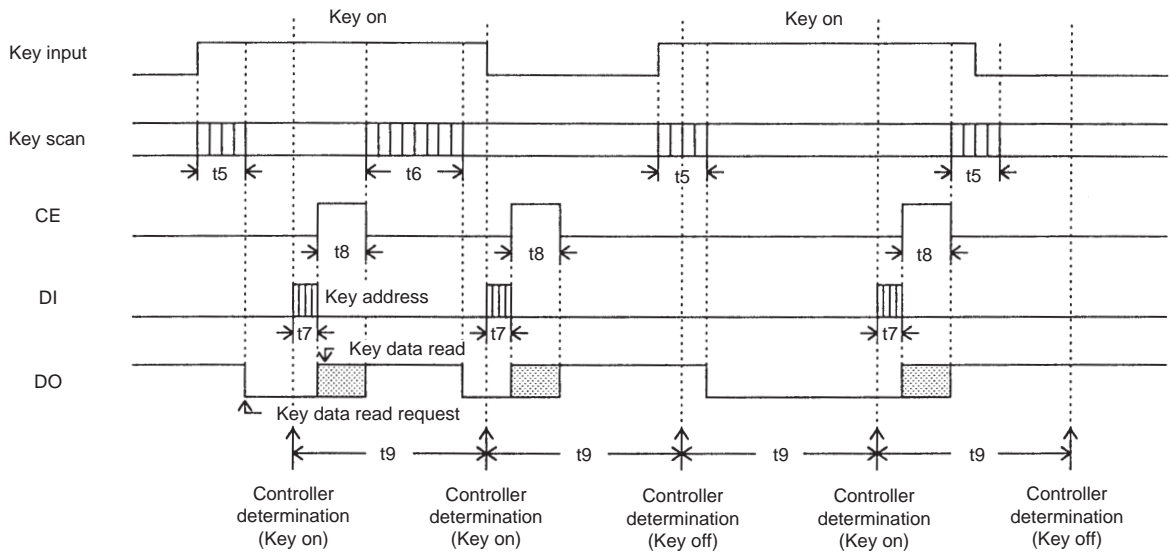
Notes on the controller key data read techniques

1. Timer based key data acquisition

• Flowchart



• Timing chart



t5: Key scan execution time when the key data agreed for two key scans. (4800T(s))

t6: Key scan execution time when the key data did not agree for two key scans and the key scan was executed again. (9600T(s))

t7: Key address (43H) transfer time

t8: Key data read time

$$T = \frac{1}{f_{osc}}$$

• Explanation

In this technique, the controller uses a timer to determine key on/off states and read the key data. The controller must check the DO state when CE is low every t9 period without fail. If DO is low, the controller recognizes that a key has been pressed and executes the key data read operation.

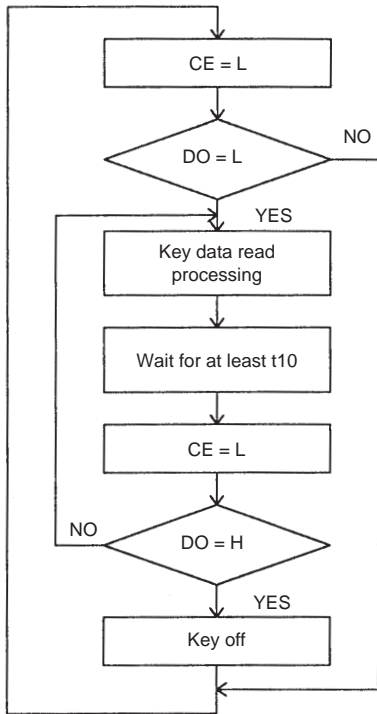
The period t9 in this technique must satisfy the following condition.

$$t9 > t6 + t7 + t8$$

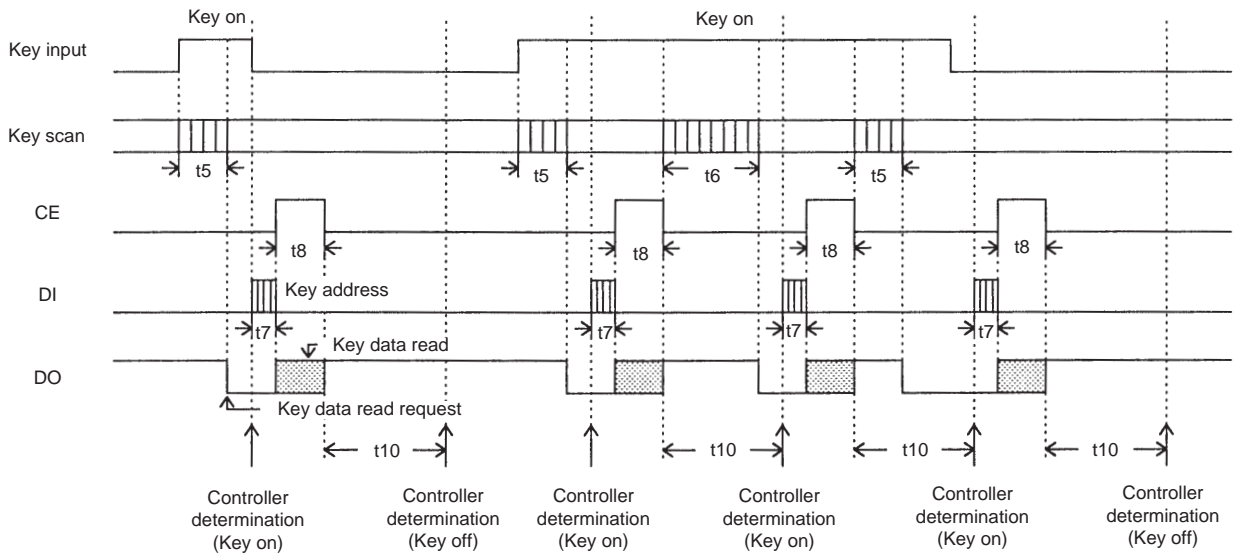
If a key data read operation is executed when DO is high, the read key data (KD1 to KD30) and sleep acknowledge data (SA) will be invalid.

2. Interrupt based key data acquisition

• Flowchart



• Timing chart



t5: Key scan execution time when the key data agreed for two key scans. (4800T(s))

t6: Key scan execution time when the key data did not agree for two key scans and the key scan was executed again. (9600T(s))

t7: Key address (43H) transfer time

t8: Key data read time

$$T = \frac{1}{f_{osc}}$$



- Explanation

In this technique, the controller uses interrupts to determine key on/off states and read the key data. The controller must check the DO state when CE is low. If DO is low, the controller recognizes that a key has been pressed and executes the key data read operation. After that the next key on/off determination is performed after the time t10 has elapsed by checking the DO state when CE is low and reading the key data. The period t10 in this technique must satisfy the following condition.

$$t10 > t6$$

If a key data read operation is executed when DO is high, the read key data (KD1 to KD30) and sleep acknowledge data (SA) will be invalid.

LC75817-8720 Character Font (Standard)

Upper 4bits Lower 4bits	MSB 0000	0001	0010	0011	0100	0101	0110	0111	1000	1001	1010	1011	1100	1101	1110	1111			
0000 LSB	CG RAM(1)	α	@	0	1	2	3	4	5	6	7	8	9	:	:	<	=	>	?
0001	(2)	β	A	1	A	B	C	D	E	F	G	H	I	J	K	L	M	N	O
0010	(3)	±	B	2	B	R	S	T	U	V	W	X	Y	Z	[	¥	J	^	—
0011	(4)	÷	C	3	C	S	C	S	T	V	W	X	Y	Z	[	¥	J	^	—
0100	(5)	π	D	4	D	T	T	T	U	V	W	X	Y	Z	[	¥	J	^	—
0101	(6)	∫	E	5	E	U	U	U	U	V	W	X	Y	Z	[	¥	J	^	—
0110	(7)	∅	F	6	F	V	V	V	U	V	W	X	Y	Z	[	¥	J	^	—
0111	(8)	∅	G	7	G	W	W	W	U	V	W	X	Y	Z	[	¥	J	^	—
1000	(9)	&	H	8	H	X	X	X	U	V	W	X	Y	Z	[	¥	J	^	—
1001	(10)	æ	I	9	I	Y	Y	Y	U	V	W	X	Y	Z	[	¥	J	^	—
1010	(11)	œ	J	:	J	Z	Z	Z	U	V	W	X	Y	Z	[	¥	J	^	—
1011	(12)	œ	K	:	K	[	[	[	U	V	W	X	Y	Z	[	¥	J	^	—
1100	(13)	→	L	<	L	¥	¥	¥	U	V	W	X	Y	Z	[	¥	J	^	—
1101	(14)	←	M	=	M	J	J	J	U	V	W	X	Y	Z	[	¥	J	^	—
1110	(15)	↑	N	>	N	^	^	^	U	V	W	X	Y	Z	[	¥	J	^	—
1111	(16)	↓	O	?	O	—	—	—	U	V	W	X	Y	Z	[	¥	J	^	—

- Specifications of any and all SANYO products described or contained herein stipulate the performance, characteristics, and functions of the described products in the independent state, and are not guarantees of the performance, characteristics, and functions of the described products as mounted in the customer's products or equipment. To verify symptoms and states that cannot be evaluated in an independent device, the customer should always evaluate and test devices mounted in the customer's products or equipment.
- SANYO Electric Co., Ltd. strives to supply high-quality high-reliability products. However, any and all semiconductor products fail with some probability. It is possible that these probabilistic failures could give rise to accidents or events that could endanger human lives, that could give rise to smoke or fire, or that could cause damage to other property. When designing equipment, adopt safety measures so that these kinds of accidents or events cannot occur. Such measures include but are not limited to protective circuits and error prevention circuits for safe design, redundant design, and structural design.
- In the event that any or all SANYO products (including technical data, services) described or contained herein are controlled under any of applicable local export control laws and regulations, such products must not be exported without obtaining the export license from the authorities concerned in accordance with the above law.
- No part of this publication may be reproduced or transmitted in any form or by any means, electronic or mechanical, including photocopying and recording, or any information storage or retrieval system, or otherwise, without the prior written permission of SANYO Electric Co., Ltd.
- Any and all information described or contained herein are subject to change without notice due to product/technology improvement, etc. When designing equipment, refer to the "Delivery Specification" for the SANYO product that you intend to use.
- Information (including circuit diagrams and circuit parameters) herein is for example only; it is not guaranteed for volume production. SANYO believes information herein is accurate and reliable, but no guarantees are made or implied regarding its use or any infringements of intellectual property rights or other rights of third parties.

This catalog provides information as of May, 1999. Specifications and information herein are subject to change without notice.