



# LC865632/28/24/20/16/12/08A

## 8-Bit Single Chip Microcontroller

### Preliminary

#### Overview

The LC865632A/28A/24A/20A/16A/12A/08A microcontrollers are 8-bit single chip microcontrollers with the following on-chip functional blocks :

- CPU : Operable at a minimum bus cycle time of 0.5 $\mu$ s (microsecond)
- On-chip ROM maximum capacity : 32K bytes
- On-chip RAM capacity : 640 bytes (LC865632A/28A/24A)  
: 512 bytes (LC865620A/16A/12A/08A)
- 16-bit timer/counter (or two 8-bit timers)
- 16-bit timer/ PWM (or two 8-bit timers)
- 8-channel  $\times$  8-bit AD converter
- Two 8-bit synchronous serial-interface circuits
- 13-source 10-vectored interrupt system

All of the above functions are fabricated on a single chip.

#### Features

- |                                |                         |                       |
|--------------------------------|-------------------------|-----------------------|
| (1) Read Only Memory (ROM)     | : LC865632A             | 32512 $\times$ 8 bits |
|                                | : LC865628A             | 28672 $\times$ 8 bits |
|                                | : LC865624A             | 24576 $\times$ 8 bits |
|                                | : LC865620A             | 20480 $\times$ 8 bits |
|                                | : LC865616A             | 16384 $\times$ 8 bits |
|                                | : LC865612A             | 12288 $\times$ 8 bits |
|                                | : LC865608A             | 8192 $\times$ 8 bits  |
| (2) Random Access Memory (RAM) | : LC865632A/28A/24A     | 640 $\times$ 8 bits   |
|                                | : LC865620A/16A/12A/08A | 512 $\times$ 8 bits   |

#### (3) Bus Cycle Time / Instruction Cycle Time

The LC865632A/28A/24A/20A/16A/12A/08A are constructed to read ROM twice within one instruction cycle. It has 1.7 times more performance capability within the same instruction cycle compared to our 4-bit microcontrollers (LC66000 series).

Bus cycle time indicates the speed to read ROM.

Bus cycle time	cycle time	System clock oscillation	Oscillation Frequency	Voltage
0.5 $\mu$ s	1.0 $\mu$ s	Ceramic resonator oscillation	6MHz	4.5 - 6.0V
2.0 $\mu$ s	4.0 $\mu$ s	Ceramic resonator oscillation	1.5MHz	2.5 - 6.0V
3.75 $\mu$ s	7.5 $\mu$ s	RC resonator oscillation	800MHZ	2.5 - 6.0V
91.5 $\mu$ s	183 $\mu$ s	Crystal oscillation	32.568kHz	2.5 - 6.0V

■ Any and all SANYO products described or contained herein do not have specifications that can handle applications that require extremely high levels of reliability, such as life-support systems, aircraft's control systems, or other applications whose failure can be reasonably expected to result in serious physical and/or material damage. Consult with your SANYO representative nearest you before using any SANYO products described or contained herein in such applications.

■ SANYO assumes no responsibility for equipment failures that result from using products at values that exceed, even momentarily, rated values (such as maximum ratings, operating condition ranges, or other parameters) listed in products specifications of any and all SANYO products described or contained herein.

**SANYO Electric Co.,Ltd. Semiconductor Company**

TOKYO OFFICE Tokyo Bldg., 1-10, 1 Chome, Ueno, Taito-ku, TOKYO, 110-8534 JAPAN

## (4) Ports

- Input / output ports : 6 ports (42 terminals)
  - Input/output port programmable in nibble units : 1 port (8 terminals)
  - (When the N-channel open drain output is selected, the data in a bit can be inputted.)
  - Input/output port programmable in a bit : 5 ports (34 terminals)
  - Include 15V withstand N-channel open drain output port : 3 ports (18 terminals)
- Input ports : 2 ports (13 terminals)

## (5) AD converter

- 8 channels × 8-bit AD converters

## (6) Serial-interface

- Two 8-bit serial-interface circuits
  - LSB first / MSB first function available
- Internal 8-bit baud-rate generator in common with two serial-interface circuits

## (7) Timers

## - Timer0

- 16-bit timer / counter
  - 2-bit prescaler + 8-bit programmable prescaler
  - Mode 0 : Two 8-bit timers with programmable prescaler
  - Mode 1 : 8-bit timer with a programmable prescaler + 8-bit counter
  - Mode 2 : 16-bit timer with a programmable prescaler
  - Mode 3 : 16-bit counter
- The resolution of Timer is 1 tCYC. (tCYC : cycle time)

## - Timer 1

- 16-bit timer / PWM
  - Mode 0 : Two 8-bit timers
  - Mode 1 : 8-bit timer + 8-bit PWM
  - Mode 2 : 16-bit timer
  - Mode 3 : Variable-bit PWM (9-16 bits)
- In Mode 0 and Mode 1, the resolution of Timer and PWM is tCYC.  
In Mode 2 and Mode 3, the resolution of Timer and PWM selectable ; tCYC or 1/2tCYC by program
- Base timer
  - Every 500ms overflow system for a clock application (using 32.568kHz crystal oscillation for Base timer clock)
  - Every 976μs, 3.9ms, 15.6ms, 62.5ms overflow system (using 32.568kHz crystal oscillation for Base timer clock)
  - The Base timer clock selectable ; 32.568kHz crystal oscillation, System clock, and programmable prescaler output of Timer 0

## (8) Buzzer output

- The Buzzer sound frequency selectable ; 4KHz, 2KHz (using 32.568kHz crystal oscillation for Base timer clock)

## (9) Remote control receiver circuit (Shares with the P73/INT3/T0IN terminal)

- Noise rejection function
- Switch polarity function

## (10) Watchdog timer

- The watchdog timer is taken on RC outside
  - Watchdog timer operation selectable : interrupt system, system reset

(11) Interrupts system

- 13-sources 10-vectored interrupts :
  1. External interrupt INT0 (include watchdog timer)
  2. External interrupt INT1
  3. External interrupt INT2, timer / counter T0L (Lower 8 bits)
  4. External interrupt INT3, base timer
  5. Timer / counter T0H (Upper 8-bit)
  6. Timer T1L, Timer T1H
  7. Serial interface SIO0
  8. Serial interface SIO1
  9. AD converter
  10. Port 0
- Built-in interrupt priority control register  
 Microcontroller allows 3 levels of interrupt; low level, high level, and highest level of multiplex interrupt. It can specify a low level or a high level interrupt priority from INT2/T0L through port 0 (i.e. the above interrupt number from three through ten). It can also specify a low level or the highest level interrupt priority to INT0 and INT1.

(12) Real-time service operation

The Real-Time Service (RTS) functions the 4-byte data-transfer between the Special Function Registers at acknowledging the interrupt request.  
 The RTS starts within 1 instruction cycle-time and completes within 5 instructions cycle-time after occurring the interrupt request.

(13) Sub-routine stack levels

- 128 levels (Max.) : stack area included in RAM area

(14) Multiplication and division

- 16 bits × 8-bit (7 instruction cycle times)
- 16 bits ÷ 8-bit (7 instruction cycle times)

(15) Three oscillation circuits

- On-chip RC oscillation circuit using for the system clock
- On-chip CR oscillation circuit using for the system clock
- On-chip crystal oscillation circuit using for the system clock and for time-base clock  
 XT1 terminal can be used as  $\overline{P74}$

(16) Standby function

- HALT mode function  
 The HALT mode is used to reduce the power dissipation. In this operation mode, the program execution is stopped. This operation mode can be released by the interrupt request signals or the initial system reset request signal.
- HOLD mode function  
 The HOLD mode is used to freeze all the oscillations ;  
 RC (internal), CF and Crystal oscillations. This mode can be released by the following operations.
  - Reset terminal ( $\overline{RES}$ ) set to low level
  - P70/INT0, P71/INT1 terminals set to assigned level (programmable)
  - Input a Port 0 interrupt condition

(17) Factory shipment

- DIP64S, QFP64E delivery form

(18) Development support tools

- Evaluation (EVA) chip : LC866098
- EPROM version : LC86E5632
- One time version : LC86P5632
- Emulator : EVA86000 + ECB866600 (Evaluation chip board)
  - + POD865000 (Pod for DIP64S)
  - + POD865010 (Pod for QFP64E)

## Pin Assignment

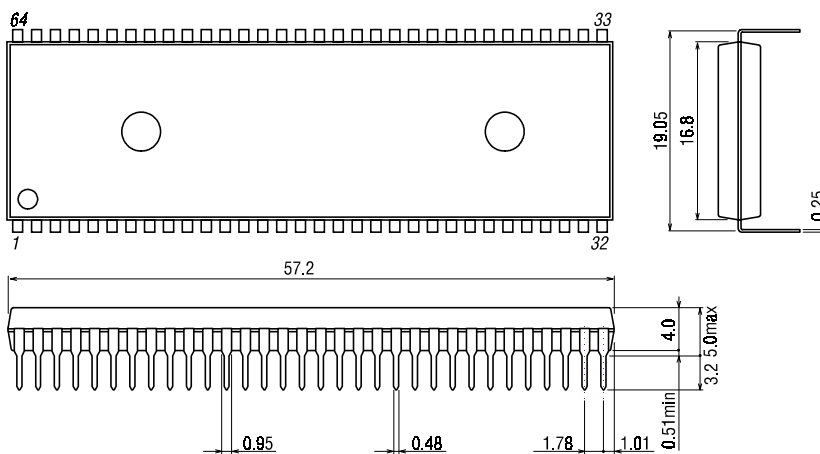
•DIP64S

P10/SO0	1	64	P07
P11/SI0/SB0	2	63	P06
P12/SCK0	3	62	P05
P13/SO1	4	61	P04
P14/SI1/SB1	5	60	P03
P15/SCK1	6	59	P02
P16/BUZ	7	58	P01
P17/PWM	8	57	P00
TEST1	9	56	P27
RES	10	55	P26
XT1/P74	11	54	P25
XT2	12	53	P24
VSS	13	52	P23
CF1	14	51	P22
CF2	15	50	P21
VDD	16	49	P20
P80/AN0	17	48	VDDVPP
P81/AN1	18	47	VSS
P82/AN2	19	46	P51
P83/AN3	20	45	P50
P84/AN4	21	44	P47
P85/AN5	22	43	P46
P86/AN6	23	42	P45
P87/AN7	24	41	P44
P70/INT0	25	40	P43
P71/INT1	26	39	P42
P72/INT2/T0IN	27	38	P41
P73/INT3/T0IN	28	37	P40
P30	29	36	P37
P31	30	35	P36
P32	31	34	P35
P33	32	33	P34

## Package Dimension

(unit : mm)

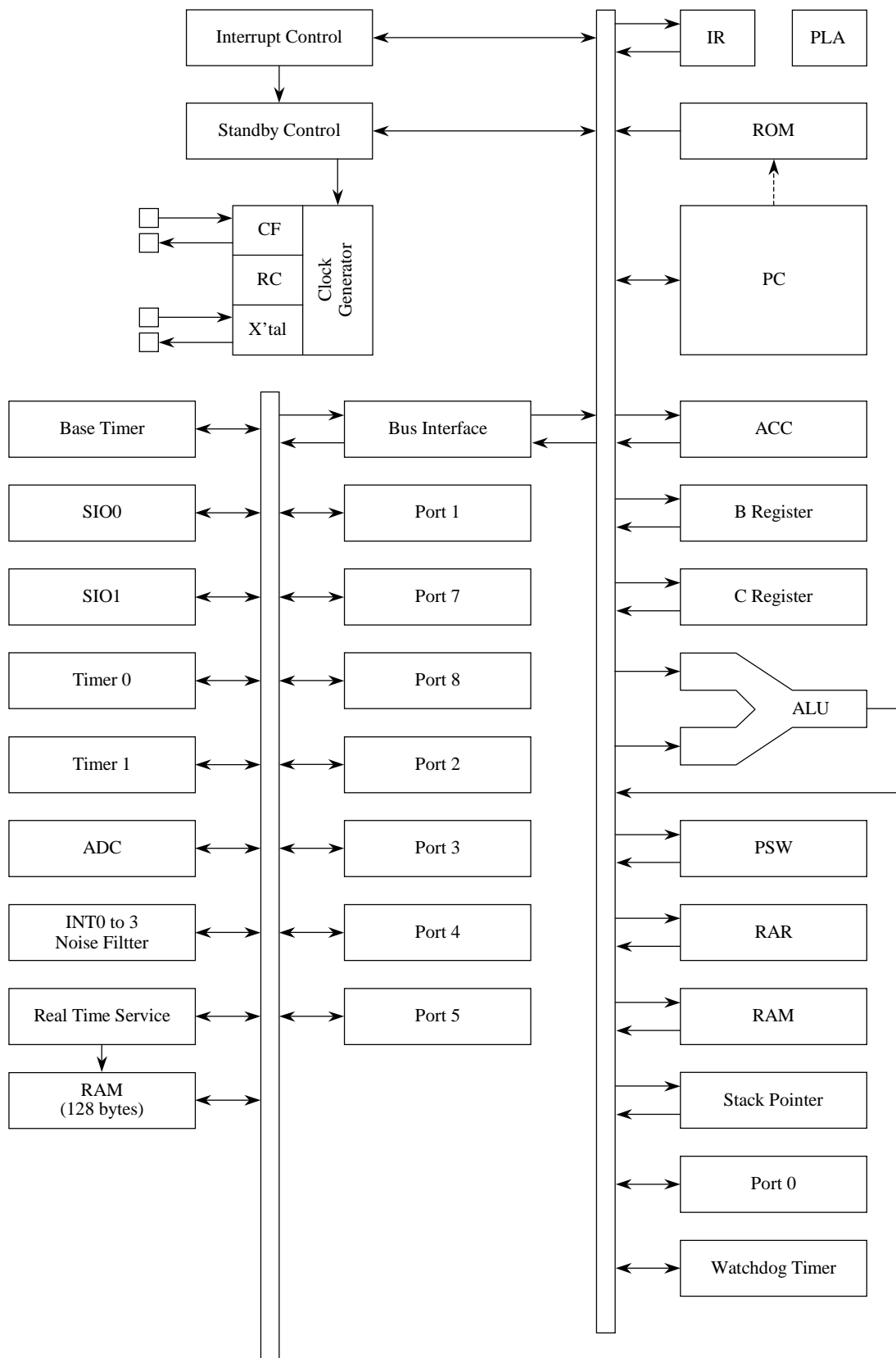
3071



SANYO : DIP-64S(750mil)



System Block Diagram



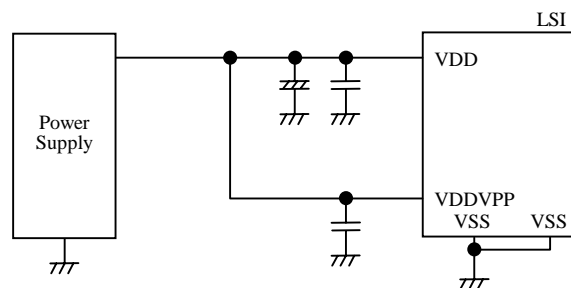
## Pin Description

Pin name	I/O	Function description	Option
VSS	-	Power pin (-)	-
VDD	-	Power pin (+)	-
VDDVPP*	-	Power pin (+)	-
PORT0 P00 - P07	I/O	<ul style="list-style-type: none"> <li>8-bit input/output port</li> <li>Input for port 0 interrupt</li> <li>Input/output in nibble units</li> <li>Input for HOLD release</li> </ul>	<ul style="list-style-type: none"> <li>Pull-up resistor : Provided/Not provided</li> <li>Output form : CMOS/N-channel open drain</li> </ul>
PORT1 P10 - P17	I/O	<ul style="list-style-type: none"> <li>8-bit input/output port</li> <li>Input/output can be specified in bit unit</li> <li>Other pin functions P10 SIO0 data output P11 SIO0 data input/bus input/output P12 SIO0 clock input/output P13 SIO1 data output P14 SIO1 data input/bus input/output P15 SIO1 clock input/output P16 Buzzer output P17 Timer1 output (PWM output)</li> </ul>	<ul style="list-style-type: none"> <li>Output form : CMOS/N-channel open drain</li> </ul>
PORT2 P20 - P27	I/O	<ul style="list-style-type: none"> <li>8-bit input/output port</li> <li>Input/output in bit unit</li> </ul>	<ul style="list-style-type: none"> <li>Output form : CMOS/N-channel open drain</li> </ul>
PORT3 P30 - P37	I/O	<ul style="list-style-type: none"> <li>8-bit input/output port</li> <li>Input/output in bit unit</li> <li>15V withstand at N-channel open drain output</li> </ul>	<ul style="list-style-type: none"> <li>Pull-up resistor : Provided/Not provided</li> <li>Output form : CMOS/N-channel open drain</li> </ul>
PORT4 P40 - P47	I/O	<ul style="list-style-type: none"> <li>8-bit input/output port</li> <li>Input/output in bit unit</li> <li>15V withstand at N-channel open drain output</li> </ul>	<ul style="list-style-type: none"> <li>Pull-up resistor : Provided/Not provided</li> <li>Output form : CMOS/N-channel open drain</li> </ul>
PORT5 P50, P51	I/O	<ul style="list-style-type: none"> <li>2-bit input/output port</li> <li>Input/output in bit unit</li> <li>15V withstand at N-channel open drain output</li> </ul>	<ul style="list-style-type: none"> <li>Pull-up resistor : Provided/Not provided</li> <li>Output form : CMOS/N-channel open drain</li> </ul>

\* Connect like the following figure to reduce noise into a VDD terminal.

Short-circuit the VDD terminal to the VDDVPP terminal.

Short-circuit the VSS terminal to the VSS terminal.



Pin name	I/O	Function description	Option																																			
PORT7 P70 P71 - $\overline{P74}$	I/O  I	<ul style="list-style-type: none"> <li>• 5-bit input port</li> <li>• Other pin functions</li> <li>P70 : INT0 input/HOLD release/N-channel Tr. output for watchdog timer</li> <li>P71 : INT1 input/HOLD release input</li> <li>P72 : INT2 input/timer 0 event input</li> <li>P73 : INT3 input with noise filter/timer 0 event input</li> <li><math>\overline{P74}</math> : Input pin XT1 for 32.768kHz crystal oscillation</li> <li>• Interrupt received form, vector address</li> </ul> <table border="1" style="margin-left: 20px;"> <thead> <tr> <th></th> <th>rising</th> <th>falling</th> <th>rising &amp; falling</th> <th>high level</th> <th>low level</th> <th>vector</th> </tr> </thead> <tbody> <tr> <td>INT0</td> <td>enable</td> <td>enable</td> <td>disable</td> <td>enable</td> <td>enable</td> <td>03H</td> </tr> <tr> <td>INT1</td> <td>enable</td> <td>enable</td> <td>disable</td> <td>enable</td> <td>enable</td> <td>0BH</td> </tr> <tr> <td>INT2</td> <td>enable</td> <td>enable</td> <td>enable</td> <td>disable</td> <td>disable</td> <td>13H</td> </tr> <tr> <td>INT3</td> <td>enable</td> <td>enable</td> <td>enable</td> <td>disable</td> <td>disable</td> <td>1BH</td> </tr> </tbody> </table>		rising	falling	rising & falling	high level	low level	vector	INT0	enable	enable	disable	enable	enable	03H	INT1	enable	enable	disable	enable	enable	0BH	INT2	enable	enable	enable	disable	disable	13H	INT3	enable	enable	enable	disable	disable	1BH	<ul style="list-style-type: none"> <li>• Pull-up resistor : Provided/Not provided (P70,71,72,73)</li> <li>• <math>\overline{P74}</math> does not have Pull-up resistor option</li> </ul>
	rising	falling	rising & falling	high level	low level	vector																																
INT0	enable	enable	disable	enable	enable	03H																																
INT1	enable	enable	disable	enable	enable	0BH																																
INT2	enable	enable	enable	disable	disable	13H																																
INT3	enable	enable	enable	disable	disable	1BH																																
PORT8 P80 - P87	I	<ul style="list-style-type: none"> <li>• 8-bit input port</li> <li>• Pin description</li> <li>AD input port (8 port pins)</li> </ul>	-																																			
$\overline{RES}$	I	Reset pin	-																																			
TEST1	O	<ul style="list-style-type: none"> <li>• Test pin</li> <li>Should be left unconnected</li> <li>• Output fixed HIGH</li> </ul>	-																																			
XT1/ $\overline{P74}$	I	<ul style="list-style-type: none"> <li>• Input pin for 32.768kHz crystal oscillation</li> <li>In case of non use, connect to VDD</li> <li>• Other function : Input port <math>\overline{P74}</math></li> </ul>	-																																			
XT2	O	<ul style="list-style-type: none"> <li>• Output pin for 32.768kHz crystal oscillation</li> <li>• In case of non use, should be left unconnected</li> </ul>	-																																			
CF1	I	Input pin for ceramic resonator oscillation	-																																			
CF2	O	Output pin for ceramic resonator oscillation	-																																			

\* All of port options can be specified in bit unit.

\* A state of pins at reset

Pin name	Input/output mode	A state of pull-up resistor specified at pull-up option
Port 0	Input	Fixed pull-up resistor exist
Ports 70,71,72,73	Input	Programmable pull-up resistor OFF



## 1. Absolute Maximum Ratings at VSS=0V and Ta=25°C

Parameter		Symbol	Pins	Conditions	VDD[V]	Ratings			unit
						min.	typ.	max.	
Supply voltage		VDDMAX	VDD, VDDVPP	VDD=VDDVPP		-0.3		+7.0	V
Input voltage		VI(1)	•Ports 71,72,73, 74 •Port 8 •RES			-0.3		VDD+0.3	
Input/output voltage		VIO(1)	•Ports 0,1,2 •Ports 3,4,5 at CMOS output option			-0.3		VDD+0.3	
		VIO(2)	Ports 3,4,5 at N-ch open drain output option			-0.3		15	
High level output current	Peak output current	IOPH(1)	Ports 0,1,2,3,4,5	•CMOS output •At each pin		-4			mA
	Total output current	ΣIOAH(1)	Ports 0,1	Total all pins		-20			
		ΣIOAH(2)	Ports 2,3,4,5	Total all pins			-20		
Low level output current	Peak output current	IOPL(1)	Ports 0,1,2,3,4,5	At each pin				20	
		IOPL(2)	Port 70	At each pin				15	
	Total output current	ΣIOAL(1)	Ports 0,1 Port 70	Total all pins				40	
		ΣIOAL(2)	Port 2	Total all pins				40	
		ΣIOAL(3)	Ports 3,4,5	Total all pins				80	
Maximum power dissipation	Pdmax(1)	DIP64S		Ta=-30 to +70°C				670	mW
	Pdmax(2)	QFP64E		Ta=-30 to +70°C				420	
Operating temperature range	Topr					-30		+70	°C
Storage temperature range	Tstg					-65		+150	

## 2. Recommended Operating Range at Ta=-30°C to +70°C, VSS=0V

Parameter	Symbol	Pins	Conditions	Ratings			unit	
				VDD[V]	min.	typ.		max.
Operating supply voltage range	VDD(1)	VDD	$0.98\mu\text{s} \leq t\text{CYC} \leq 400\mu\text{s}$		4.5		6.0	V
	VDD(2)		$3.9\mu\text{s} \leq t\text{CYC} \leq 400\mu\text{s}$		2.5		6.0	
Hold voltage	VHD	VDD	RAMs and the registers hold voltage at HOLD mode.		2.0		6.0	
Input high voltage	VIH(1)	Port 0 (Schmitt)	Output disable	2.5-6.0	0.4VDD +0.9		VDD	
	VIH(2)	•Ports 1,2 •Ports 72,73 (Schmitt)	Output disable	2.5-6.0	0.75VDD		VDD	
	VIH(3)	•Port 70 (Port input/interrupt) •Port 71 •RES (Schmitt)	Output N-channel Tr. OFF	2.5-6.0	0.75VDD		VDD	
	VIH(4)	Port 70 (Watchdog timer)	Output N-channel Tr. OFF	2.5-6.0	0.9VDD		VDD	
	VIH(5)	•Port $\overline{74}$ •Port 8	Output N-channel Tr. OFF	2.7-6.0	0.75VDD		VDD	
	VIH(6)	Ports 3,4,5 of CMOS output	Output disable	4.0-6.0 2.5-4.0	0.75VDD 0.8VDD		VDD VDD	
	VIH(7)	Ports 3,4,5 of open drain output	Output disable	4.0-6.0 2.5-4.0	0.75VDD 0.8VDD		13.5 13.5	
Input low voltage	VIL(1)	Port 0 (Schmitt)	Output disable	2.5-6.0	VSS		0.2VDD	
	VIL(2)	•Ports 1,2,3,4,5 •Ports 72,73 (Schmitt)	Output disable	2.5-6.0	VSS		0.25VDD	
	VIL(3)	•Port 70 (Port input/interrupt) •Port 71 • $\overline{\text{RES}}$ (Schmitt)	N-channel Tr. OFF	2.5-6.0	VSS		0.25VDD	
	VIL(4)	Port 70 (Watchdog timer)	N-channel Tr. OFF	2.5-6.0	VSS		0.8VDD -1.0	
	VIL(5)	•Port $\overline{74}$ •Port 8	Output N-channel Tr. OFF	2.5-6.0	VSS		0.25VDD	
Operation cycle time	tCYC			4.5-6.0	0.98		400	$\mu\text{s}$
				2.5-6.0	3.9		400	

Continue.

Parameter	Symbol	Pins	Conditions	Ratings			unit	
				VDD[V]	min.	typ.		max.
Oscillation frequency range (Note 1)	FmCF(1)	CF1, CF2	•6MHz (ceramic resonator oscillation) •Refer to figure 1	4.5-6.0		6		MHz
	FmCF(2)	CF1, CF2	•1.5MHz (ceramic resonator oscillation) •Refer to figure 1	2.5-6.0		1.5		
	FmRC		RC oscillation	2.5-6.0	0.3	0.8	3.0	
	FsXtal	XT1, XT2	•32.768kHz (crystal oscillation) •Refer to figure 2	2.5-6.0		32.768		kHz
Oscillation stabilizing time period (Note 1)	tmsCF(1)	CF1, CF2	•6MHz (ceramic resonator oscillation) •Refer to figure 3	4.5-6.0				ms
	tmsCF(2)	CF1, CF2	•1.5MHz (ceramic resonator oscillation) •Refer to figure 3	4.5-6.0				
				2.5-6.0				
	tssXtal	XT1, XT2	•32.768kHz (crystal oscillation) •Refer to figure 3	4.5-6.0				s
2.5-6.0								

(Note 1) The oscillation constant is shown on table 1 and table 2.

## 3. Electrical Characteristics at Ta=-30°C to +70°C, VSS=0V

Parameter	Symbol	Pins	Conditions	Ratings			unit	
				VDD[V]	min.	typ.		max.
Input high current	IIH(1)	Ports 3,4,5 of open drain output	•Output disable •VIN=13.5V (including the off-leak current of the output Tr.)	2.5-6.0			5	μA
	IIH(2)	•Port 0 without pull-up MOS Tr. •Ports 1,2,3,4,5	•Output disable •Pull-up MOS Tr. OFF. VIN=VDD (including the off-leak current of the output Tr.)	2.5-6.0			1	
	IIH(3)	•Ports 70,71,72,73 without pull-up MOS Tr. •Port 8	•VIN=VDD	2.5-6.0			1	
	IIH(4)	$\overline{\text{RES}}$	VIN=VDD	2.5-6.0			1	
Input low current	IIL(1)	•Ports 1,2,3,4,5 •Port 0 without pull-up MOS Tr.	•Output disable •Pull-up MOS Tr. OFF. VIN=VSS (including the off-leak current of the output Tr.)	2.5-6.0	-1			
	IIL(2)	•Ports 70,71,72,73 without pull-up MOS Tr. •Port 8	•VIN=VSS	2.5-6.0	-1			
	IIL(3)	$\overline{\text{RES}}$	VIN=VSS	2.5-6.0	-1			
Output high voltage	VOH(1)	Ports 0,1,2,3,4,5 of CMOS output	IOH=-1.0mA	4.5-6.0	VDD-1			V
	VOH(2)		IOH=-0.1mA	2.5-6.0	VDD-0.5			
Output low voltage	VOL(1)	Ports 0,1,2,3,4,5	IOL=10mA	4.5-6.0			1.5	
	VOL(2)		IOL=1.6mA	4.5-6.0			0.4	
	VOL(3)		•IOL=1.0mA •The current of any unmeasurement pin is not over 1 mA.	2.5-6.0			0.4	
	VOL(4)	Port 70	IOL=1mA	4.5-6.0			0.4	
	VOL(5)		IOL=0.5mA	2.5-6.0			0.4	
Pull-up MOS Tr. resistor	Rpu	•Ports 0,1,2,3,4,5 •Ports 70,71,72,73	VOH=0.9VDD	4.5-6.0	15	40	70	kΩ
				2.5-4.5	25	70	150	
Hysteresis voltage	VHIS	•Ports 0,1,2,3,4,5 •Ports 70,71,72,73 • $\overline{\text{RES}}$	Output disable	2.5-6.0		0.1VDD		V
Pin capacitance	CP	All pins	•f=1MHz •Unmeasurement terminals for the input are set to VSS level. •Ta=25°C	2.5-6.0		10		pF

4. Serial Input/Output Characteristics at Ta=-30°C to +70°C, VSS=0V

Parameter		Symbol	Pins	Conditions	Ratings			unit	
					VDD[V]	min.	typ.		max.
Serial clock	Input clock	Cycle	tCKCY(1)	SCK0, SCK1	Refer to figure 5.	2.7-6.0	2		tCYC
		Low Level pulse width	tCKL(1)			2.7-6.0	1		
		High Level pulse width	tCKH(1)			2.7-6.0	1		
	Output clock	Cycle	tCKCY(2)	SCK0, SCK1	<ul style="list-style-type: none"> <li>•Use pull-up resistor (1kΩ) when open drain output.</li> <li>•Refer to figure 5.</li> </ul>	2.7-6.0	2		
		Low Level pulse width	tCKL(2)			2.7-6.0		1/2 tCKCY	
		High Level pulse width	tCKH(2)			2.7-6.0		1/2 tCKCY	
Serial input	Data set up time	tICK	<ul style="list-style-type: none"> <li>•SI0,SI1</li> <li>•SB0,SB1</li> </ul>	<ul style="list-style-type: none"> <li>•Data set-up to SCK0,1</li> <li>•Data hold from SCK0,1</li> <li>•Refer to figure 5.</li> </ul>	4.5-6.0	0.1		μs	
	Data hold time	tCKI			2.7-6.0	0.4			
					4.5-6.0	0.1			
					2.7-6.0	0.4			
Serial output	Output delay time (Serial clock is external clock)	tCKO(1)	<ul style="list-style-type: none"> <li>•SO0,SO1</li> <li>•SB0,SB1</li> </ul>	<ul style="list-style-type: none"> <li>•Use pull-up resistor (1kΩ) when open drain output.</li> <li>•Data hold from SCK0,1</li> <li>•Refer to figure 5.</li> </ul>	4.5-6.0			7/12 tCYC +0.2	
					2.7-6.0			7/12 tCYC +1	
	Output delay time (Serial clock is internal clock)	tCKO(2)			4.5-6.0			1/3 tCYC +0.2	
					2.7-6.0			1/3 tCYC +1	

5. Pulse Input Conditions at Ta=-30°C to +70°C, VSS=0V

Parameter	Symbol	Pins	Conditions	Ratings			unit
				VDD[V]	min.	typ.	
High/low level pulse width	tPIH(1) tPIL(1)	•INT0, INT1 •INT2/T0IN •INT3	•Interrupt acceptable •Timer0-countable	2.7-6.0	1		tCYC
	tPIH(2) tPIL(2)	INT3/T0IN (The noise rejection clock is selected to 1/1.)	Interrupt acceptable	2.7-6.0	2		
	tPIH(3) tPIL(3)	INT3/T0IN (The noise rejection clock is selected to 1/16.)	Interrupt acceptable	2.7-6.0	32		
	tPIL(4)	$\overline{\text{RES}}$	Reset acceptable	4.5-6.0	200		μs

6. AD Converter Characteristics at Ta=-30°C to +70°C, VSS=0V

Parameter	Symbol	Pins	Conditions	Ratings			unit
				VDD[V]	min.	typ.	
Resolution	N			4.5-6.0		8	bit
Absolute precision (Note 2)	ET			4.5-6.0		±1.5	LSB
Conversion time	tCAD		AD conversion time = 16 × tCYC (ADCR2=0) (Note 3)	4.5-6.0	15.68 (tCYC= 0.98μs)	65.28 (tCYC= 4.08μs)	μs
			AD conversion time = 32 × tCYC (ADCR2=1) (Note 3)		31.36 (tCYC= 0.98μs)	130.56 (tCYC= 4.08μs)	
Analog input voltage range	VAIN	AN0 - AN7		4.5-6.0	VSS	VDD	V
Analog port input current	I <sub>AINH</sub>		VAIN=VDD	4.5-6.0		1	μA
	I <sub>AINL</sub>		VAIN=VSS	4.5-6.0	-1		

(Note 2) Absolute precision excepts quantizing error (±1/2 LSB).

(Note 3) The conversion time means the time from executing the AD conversion instruction to setting the complete digital conversion value to the register.

## 7. Current Dissipation Characteristics at Ta=-30°C to +70°C, VSS=0V

Parameter	Symbol	Pins	Conditions	Ratings			unit	
				VDD[V]	min.	typ.		max.
Current dissipation during basic operation (Note 4)	IDDOP(1)	VDD	<ul style="list-style-type: none"> <li>•FmCF=6MHz Ceramic resonator oscillation</li> <li>•FsXtal=32.768kHz crystal oscillation</li> <li>•System clock : CF oscillation</li> <li>•Internal RC oscillation stops</li> </ul>	4.5-6.0		10	20	mA
	IDDOP(2)		<ul style="list-style-type: none"> <li>•FmCF=1.5MHz Ceramic resonator oscillation</li> <li>•FsXtal=32.768kHz crystal oscillation</li> <li>•System clock : CF oscillation</li> <li>•Internal RC oscillation stops</li> </ul>	4.5-6.0		3	7	
	IDDOP(3)		<ul style="list-style-type: none"> <li>•FmCF=1.5MHz Ceramic resonator oscillation</li> <li>•FsXtal=32.768kHz crystal oscillation</li> <li>•System clock : CF oscillation</li> <li>•Internal RC oscillation stops</li> </ul>	2.7-4.5		1.5	5	
	IDDOP(4)		<ul style="list-style-type: none"> <li>•FmCF=0Hz (when oscillation stops)</li> <li>•FsXtal=32.768kHz crystal oscillation</li> <li>•System clock : RC oscillation</li> </ul>	4.5-6.0		1.0	3.5	
	IDDOP(5)		<ul style="list-style-type: none"> <li>•FmCF=0Hz (when oscillation stops)</li> <li>•FsXtal=32.768kHz crystal oscillation</li> <li>•System clock : RC oscillation</li> </ul>	2.7-4.5		0.6	3.0	
	IDDOP(6)		<ul style="list-style-type: none"> <li>•FmCF=0Hz (when oscillation stops)</li> <li>•FsXtal=32.768kHz crystal oscillation</li> <li>•System clock : crystal oscillation</li> <li>•Internal RC oscillation stops</li> </ul>	4.5-6.0		50	150	
	IDDOP(7)		<ul style="list-style-type: none"> <li>•FmCF=0Hz (when oscillation stops)</li> <li>•FsXtal=32.768kHz crystal oscillation</li> <li>•System clock : crystal oscillation</li> <li>•Internal RC oscillation stops</li> </ul>	2.7-4.5		25	75	

Continue.

Parameter	Symbol	Pins	Conditions	Ratings			unit	
				VDD[V]	min.	typ.		max.
Current dissipation in HALT mode (Note 4)	IDDHALT(1)	VDD	<ul style="list-style-type: none"> <li>•HALT mode</li> <li>•FmCF=6MHz Ceramic resonator oscillation</li> <li>•FsXtal=32.768kHz crystal oscillation</li> <li>•System clock : CF oscillation</li> <li>•Internal RC oscillation stops</li> </ul>	4.5-6.0		5	10	mA
	IDDHALT(2)		<ul style="list-style-type: none"> <li>•HALT mode</li> <li>•FmCF=1.5MHz Ceramic resonator oscillation</li> <li>•FsXtal=32.768kHz crystal oscillation</li> <li>•System clock : CF oscillation</li> <li>•Internal RC oscillation stops</li> </ul>	4.5-6.0		2.2	4.6	
	IDDHALT(3)		<ul style="list-style-type: none"> <li>•HALT mode</li> <li>•FmCF=1.5MHz Ceramic resonator oscillation</li> <li>•FsXtal=32.768kHz crystal oscillation</li> <li>•System clock : CF oscillation</li> <li>•Internal RC oscillation stops</li> </ul>	2.7-4.5		0.8	2.5	
	IDDHALT(4)		<ul style="list-style-type: none"> <li>•HALT mode</li> <li>FmCF=0Hz (when oscillation stops)</li> <li>•FsXtal=32.768kHz crystal oscillation</li> <li>•System clock : RC oscillation</li> </ul>	4.5-6.0		800	2000	μA
	IDDHALT(5)			2.7-4.5		400	1500	
	IDDHALT(6)		<ul style="list-style-type: none"> <li>•HALT mode</li> <li>FmCF=0Hz (when oscillation stops)</li> <li>•FsXtal=32.768kHz crystal oscillation</li> <li>•System clock : crystal oscillation</li> <li>•Internal RC oscillation stops</li> </ul>	4.5-6.0		35	140	
	IDDHALT(7)			2.7-4.5		11	56	
Current dissipation in HOLD mode (Note 4)	IDDHOLD(1)	VDD	HOLD mode	4.5-6.0		0.05	30	
	IDDHOLD(2)			2.7-4.5		0.02	20	

(Note 4) The currents of the output transistors and the pull-up MOS transistors are ignored.



Table 1. Ceramic resonator oscillation recommended constant (main clock)

Oscillation type	Maker	Oscillator	C1	C2	Rf	Rd
12MHz ceramic resonator oscillation	Murata	CSA12.0MTZ	33pF	33pF	OPEN	560Ω
		CSA12.0MTZ	39pF	30pF	OPEN	0Ω
		CST12.0MTW	on chip		OPEN	560Ω
3MHz ceramic resonator oscillation	Murata	CSA3.00MG040	100pF	100pF	OPEN	1.5Ω
		CST3.00MGW040	on chip		OPEN	1.5Ω

\* Both C1 and C2 must use K rank ( $\pm 10\%$ ) and SL characteristics.

Table 2. Crystal oscillation recommended constant (sub clock)

Oscillation type	Maker	Oscillator	C3	C4
32.768kHz crystal oscillation	Kyocera	KF-38G-13P0200	18pF	18pF
	Seiko Epson	MC-306,C-002RX,32.768kHz	4pF	4pF

\* Both C3 and C4 must use J rank ( $\pm 5\%$ ) and CH characteristics.

(It is about the application which is not in need of high precision. Use K rank ( $\pm 10\%$ ) and SL characteristics.)

(Notes) • Since the circuit pattern affects the oscillation frequency, place the oscillation-related parts as close to the oscillation pins as possible with the shortest possible pattern length.

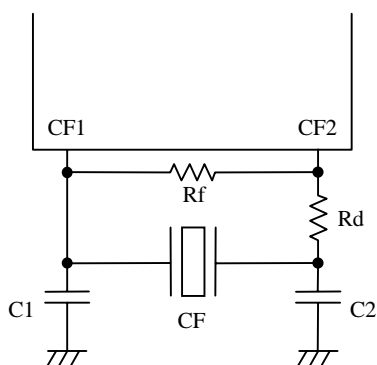


Figure 1 Main-clock circuit  
Ceramic oscillation circuit

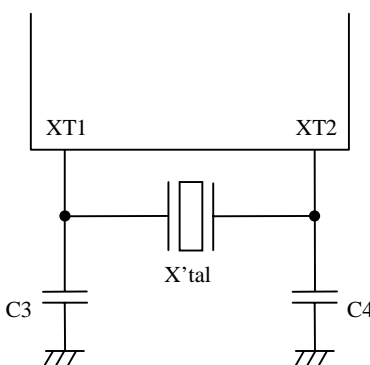


Figure 2 Sub-clock circuit  
Crystal oscillation

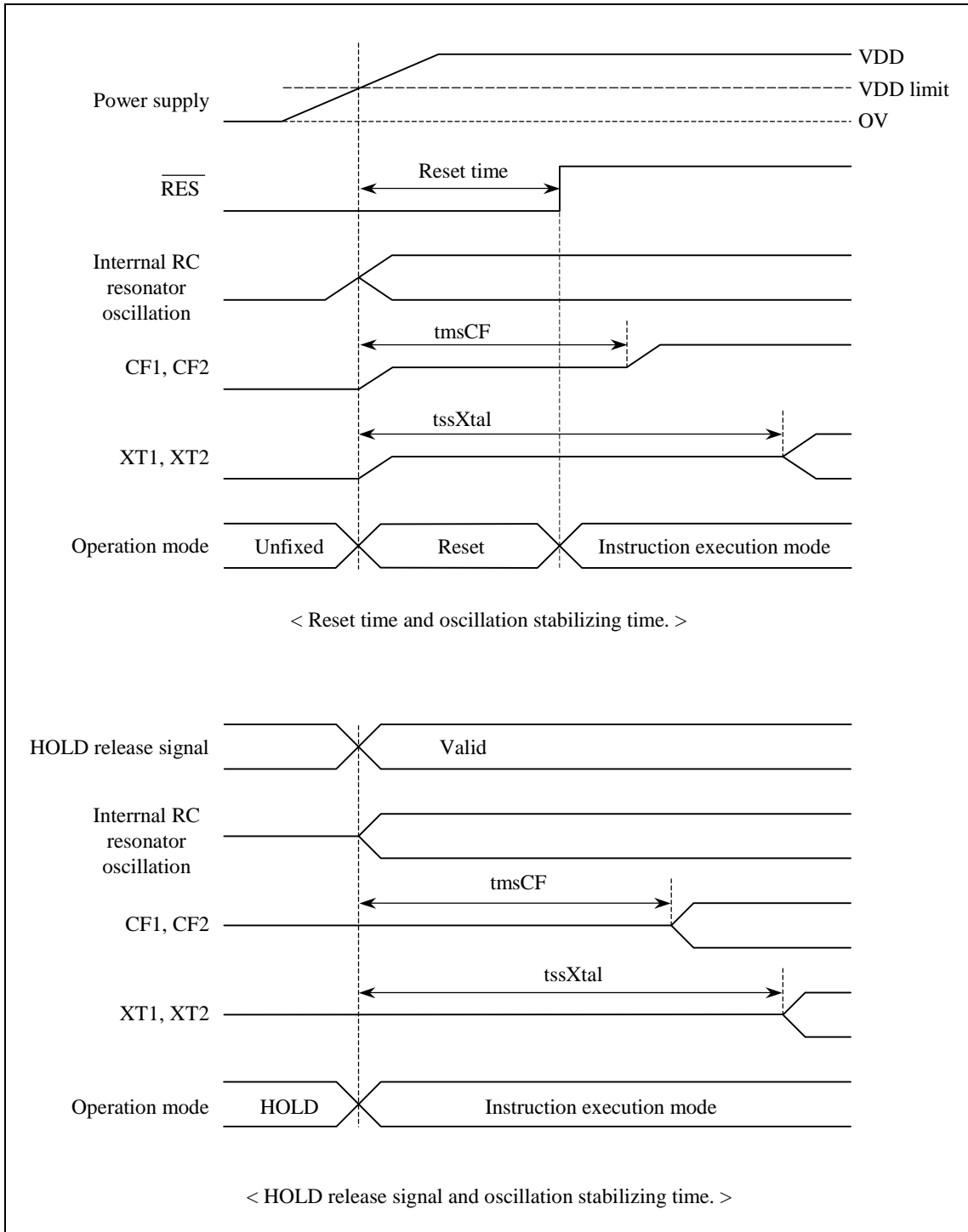
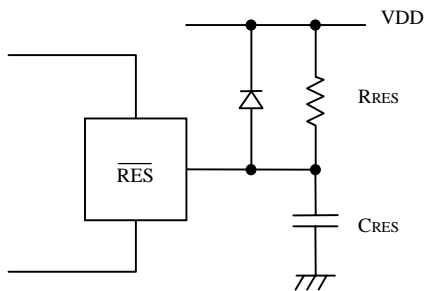


Figure 3 Oscillation stable time



(Note) Fix the value of CRES, RRES that is sure to reset until 200 $\mu$ s, after Power supply has been over inferior limit of supply voltage.

Figure 4 Reset circuit

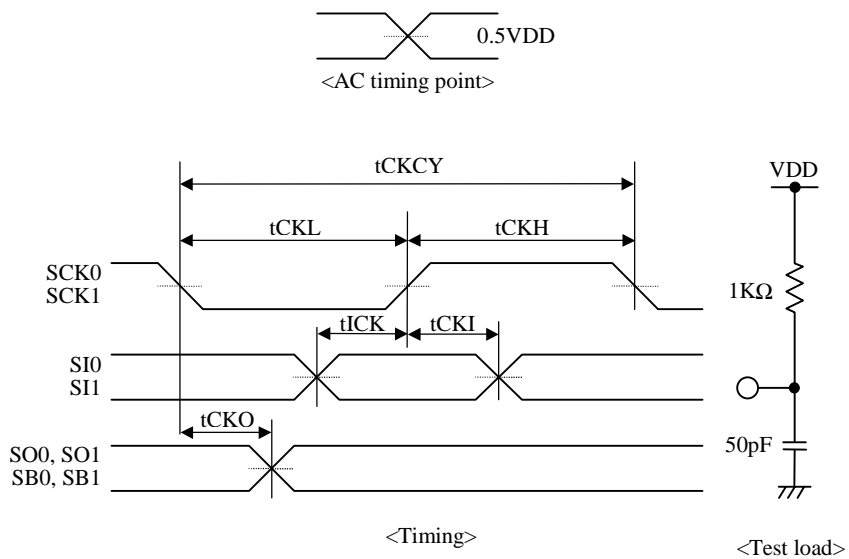


Figure 5 Serial input / output test condition

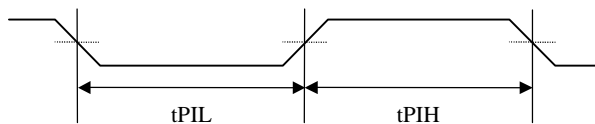


Figure 6 Pulse input timing condition

memo:

- Specifications of any and all SANYO products described or contained herein stipulate the performance, characteristics, and functions of the described products in the independent state, and are not guarantees of the performance, characteristics, and functions of the described products as mounted in the customer's products or equipment. To verify symptoms and states that cannot be evaluated in an independent device, the customer should always evaluate and test devices mounted in the customer's products or equipment.
- SANYO Electric Co., Ltd. strives to supply high-quality high-reliability products. However, any and all semiconductor products fail with some probability. It is possible that these probabilistic failures could give rise to accidents or events that could endanger human lives, that could give rise to smoke or fire, or that could cause damage to other property. When designing equipment, adopt safety measures so that these kinds of accidents or events cannot occur. Such measures include but are not limited to protective circuits and error prevention circuits for safe design, redundant design, and structural design.
- In the event that any or all SANYO products (including technical data, services) described or contained herein are controlled under any of applicable local export control laws and regulations, such products must not be exported without obtaining the export license from the authorities concerned in accordance with the above law.
- No part of this publication may be reproduced or transmitted in any form or by any means, electronic or mechanical, including photocopying and recording, or any information storage or retrieval system, or otherwise, without the prior written permission of SANYO Electric Co., Ltd.
- Any and all information described or contained herein are subject to change without notice due to product/technology improvement, etc. When designing equipment, refer to the "Delivery Specification" for the SANYO product that you intend to use.
- Information (including circuit diagrams and circuit parameters) herein is for example only; it is not guaranteed for volume production. SANYO believes information herein is accurate and reliable, but no guarantees are made or implied regarding its use or any infringements of intellectual property rights or other rights of third parties.

This catalog provides information as of September, 2000. Specifications and information herein are subject to change without notice.