



LC86P6560

8-Bit Single Chip Microcontroller with One-Time Programmable PROM

Preliminary

Overview

The LC86P6560 is a CMOS 8-bit single chip microcontroller with one-time PROM for the LC866500 series.

This microcontroller has the function and the pin description of the LC866500 series mask ROM version, and 60K-byte PROM.

Features

(1) Option switching by PROM data

The option function of the LC866500 series can be specified by the PROM data.

LC86P6560 can be checked the functions of the trial pieces using the mass production board.

(2) Internal one-time PROM capacity : 61696 bytes

(3) Internal RAM capacity : 1152 bytes

Used PROM or RAM capacity are equal ROM or RAM capacity of mask ROM version which applies LC86P6560.

Mask ROM version	PROM capacity	RAM capacity
LC866560	61440 bytes	1152 bytes
LC866556	57344 bytes	1152 bytes

(4) Operating supply voltage : 4.5V to 6.0V

(5) Instruction cycle time : 1.0 μ s to 366 μ s

(6) Operating temperature : -30°C to +70°C

(7) The pin and the package compatible with the LC866500 series mask ROM devices

(8) Applicable mask ROM version : LC866560/LC866556

Programming service

We offers various services at nominal charges. These include the ROM writing, the ROM reading, the package stamping and the screening. Contact our representative for further information.

■ Any and all SANYO products described or contained herein do not have specifications that can handle applications that require extremely high levels of reliability, such as life-support systems, aircraft's control systems, or other applications whose failure can be reasonably expected to result in serious physical and/or material damage. Consult with your SANYO representative nearest you before using any SANYO products described or contained herein in such applications.

■ SANYO assumes no responsibility for equipment failures that result from using products at values that exceed, even momentarily, rated values (such as maximum ratings, operating condition ranges, or other parameters) listed in products specifications of any and all SANYO products described or contained herein.

SANYO Electric Co.,Ltd. Semiconductor Company

TOKYO OFFICE Tokyo Bldg., 1-10, 1 Chome, Ueno, Taito-ku, TOKYO, 110-8534 JAPAN

Notice for use

LC86P6560 is provided for the first release and small shipping of the LC866500 series.

At using, take notice of the followings.

- (1) A point of difference LC86P6560 and LC866500 series

Item	LC86P6560	LC866560/56
Operation after reset releasing	The option is specified until 3ms after going to a 'H' level to the reset terminal by dgrees. The program is executed from 00H of the program counter.	The program is executed from 00H of the program counter immediately after going to a 'H' level to reset terminal.
Pull-down resistor of the following pins •S0/T0 – S6/T6 •S7/T7 – S15/T15 •S16 – S31 •S32 – S47 •S48 – S51	Pull-down resistor provided/not provided Not provided Provided (fixed) Provided (fixed) Not provided Not provided	Pull-down resistor provided/not provided Specified by the option Provided (fixed) Specified by the option Specified by the option Not provided
Power dissipation	Refer to 'electrical characteristics' on the semiconductor news.	

LC86P6560 uses 256 bytes that is addressed on FF00H to FFFFH in the program memory as the option configuration data area. This option configuration cannot execute all options which LC866500 series have. Next tables show the options that correspond and not correspond to LC86P6560.

- A kind of the option corresponding of the LC86P6560

A kind of option	Pins, Circuits	Contents of the option
Input/output form of Input/output ports	Port 0	1. N-channel open drain output 2. CMOS output *1
		1. Pull-up MOS Tr. provided 2. Pull-up MOS Tr. not provided *2
	Port 1 *1	1. Input : Programmable pull-up MOS Tr. Output : N-channel open drain 2. Input : Programmable pull-up MOS Tr. Output : CMOS
Port 3 *2	1. Input : No Programmable pull-up MOS Tr. Output : N-channel open drain 2. Input : Programmable pull-up MOS Tr. Output : CMOS	

*1) Specified in a bit

*2) Specified in nibble unit. The port of N-channel open drain output does not have the Pull-up MOS Tr..

- A kind of the option not corresponding of the LC86P6560

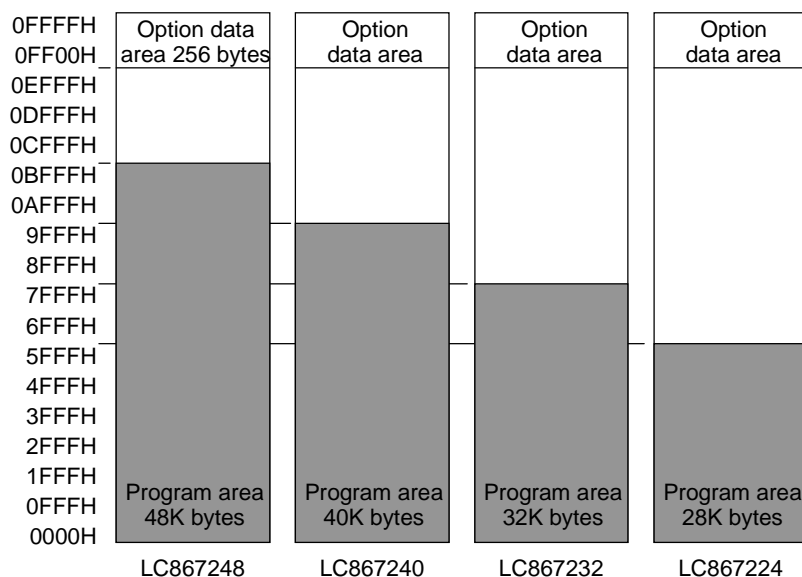
A kind of option	Pins, Circuits	LC86P6560	LC866560/56
Pull-down resistor of the high voltage	•S0/T0 to S6/T6	Not provided	Specified by the option
	•S16 to S31	Provided (fixed)	Specified by the option
Withstand output terminals	•S32 to S47	Not provided	Specified by the option

(1) Option

The option data is created by the option specified program “SU86K.EXE”. The created option data is linked to the program area by linkage loader “L86K.EXE”.

(2) ROM space

LC86E7248 and LC867200 series use 256 bytes that is addressed on 0FF00H to 0FFFFH in the program memory as the option specified data area. These program memory capacity are 49152 bytes that is addressed on 0000H to 0BFFFH.



(3) Ordering information

1. When ordering the identical mask ROM and PROM devices simultaneously.
Provide an EPROM containing the target memory contents together with the separate order forms for each of the mask ROM and PROM versions.
2. When ordering a PROM device.
Provide an EPROM containing the target memory contents together with an order form.

How to use

(1) Specification of option

Programming data for PROM of the LC86P6560 is required.

Debugged evaluation file (EVA file) must be converted to an INTEL-HEX formatted file (HEX file) with file converter program, EVA2HEX.EXE. The HEX file is used as the programming data for the LC86P6548.

(2) How to program for the PROM

LC86P6560 can be programmed by the PROM programmer with attachment ; W86EP6548Q.

- Recommended PROM programmer

Product	EPROM programmer
Advantest	R4945, R4944, R4943
Andou	AF-9704
AVAL	PKW-1100, PKW-3000
Minato electronics	MODEL 1890A

- “27512 (Vpp=12.5V) Intel high speed programming” mode available. The address must be set to “0 to 0FFFFH” and a jumper (DASEC) must be set to ‘OFF’ at programming.

(3) How to use the data security function

“Data security” is the disabled function to read the data of the PROM.

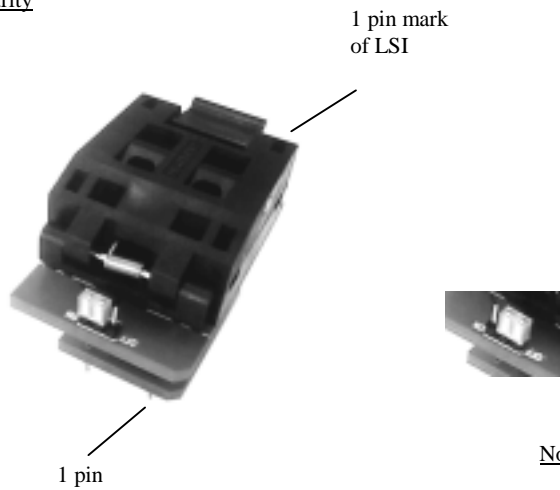
The following is the process in order to execute the data security.

1. Set ‘ON’ the jumper of attachment.
2. Program again. Then PROM programmer displays the error. The error means normally activity of the data security. It is not a trouble of the PROM programmer or the LSI.

Notes

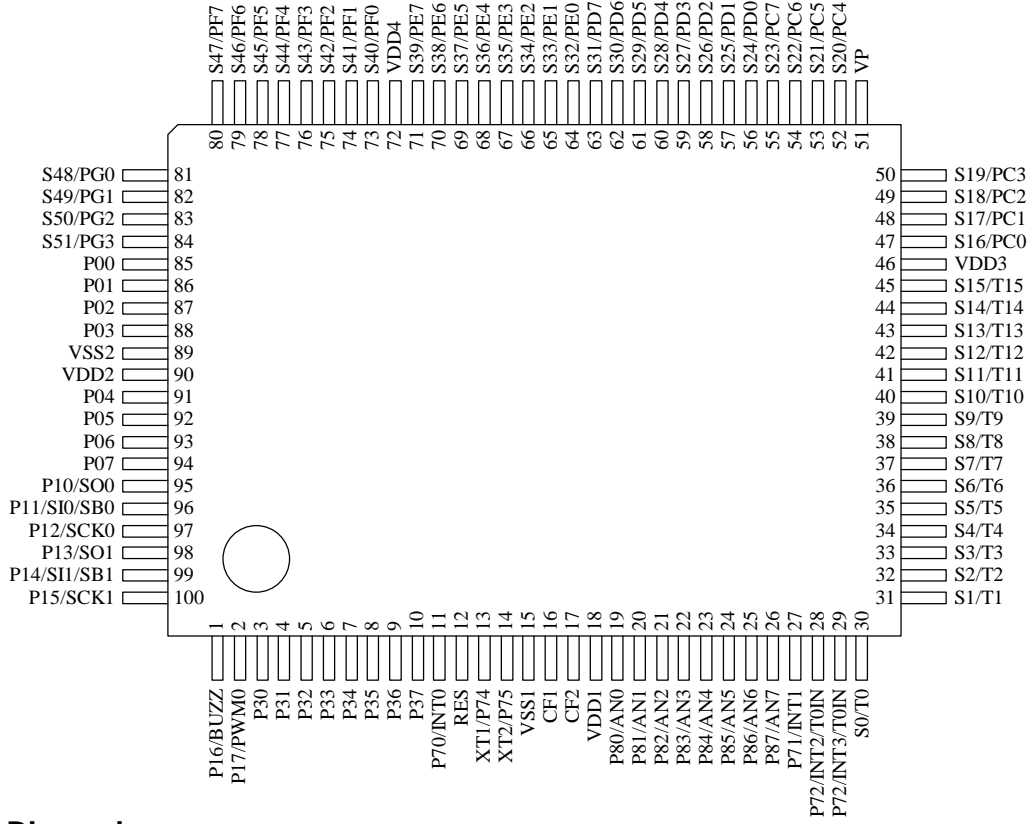
- Data security is not executed when the data of all address have ‘FFH’ at the sequence 2 above.
- The programming by a sequential operation “BLANK⇒PROGRAM⇒VERIFY” cannot be executed data security at the sequence 2 above.
- Set to ‘OFF’ the jumper after executing the data security.

Data security



W86EP6548Q

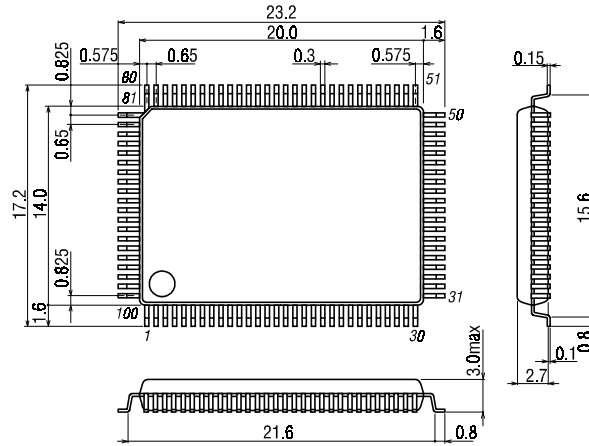
Pin Assignment



Package Dimension

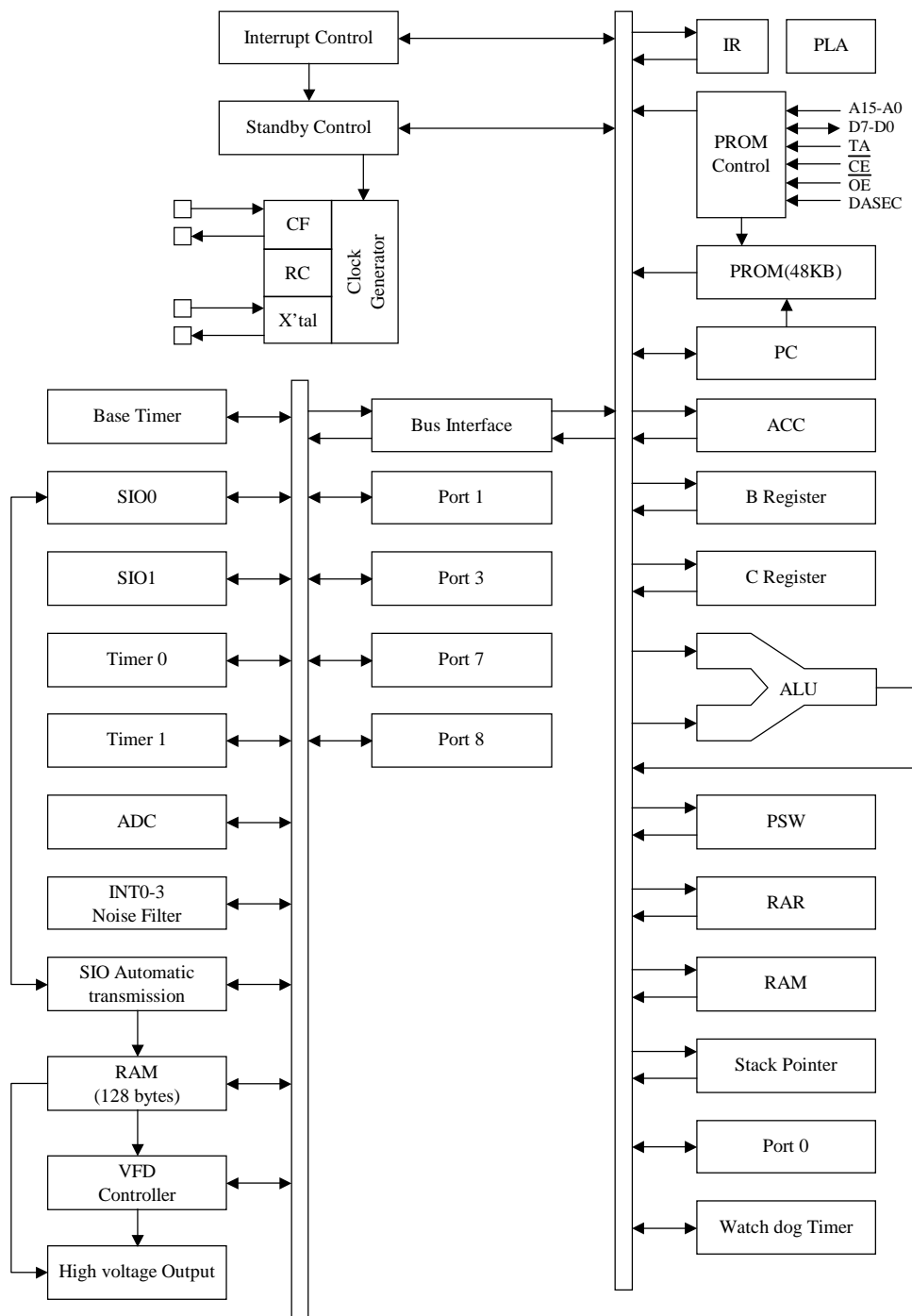
(unit : mm)

3151



SANYO : QIP-100E

System Block Diagram



LC86P6560 Pin description

Pin name	I/O	Function description	Option	PROM mode																																			
VSS1,2	-	Power pin (-) *4	-	-																																			
VDD1,2,3,4	-	Power pin (+) *4	-	-																																			
VP	-	Power pin (+) for the VFD output pull-down resist	-	-																																			
PORT0 P00 – P07	I/O	<ul style="list-style-type: none"> •8-bit input/output port Input/output in nibble units •Input for port 0 interrupt •Input for HOLD release •15V withstand at N-channel open drain output 	<ul style="list-style-type: none"> •Pull-up resistor : Provided/Not provided (each nibble) •Output form : CMOS/N-channel open drain (each bit) 	-																																			
PORT1 P10 – P17	I/O	<ul style="list-style-type: none"> •8-bit input/output port Input/output can be specified in bit unit •Other pin functions P10 SIO0 data output P11 SIO0 data input/bus input/output P12 SIO0 clock input/output P13 SIO1 data output P14 SIO1 data input/bus input/output P15 SIO1 clock input/output P16 Buzzer output P17 Timer 1 output (PWM0 output) 	<ul style="list-style-type: none"> •Output form : CMOS/N-channel open drain (each bit) 	Data line D0 to D7																																			
PORT3 P30 – P37	I/O	<ul style="list-style-type: none"> •8-bit input/output port Input/output in bit unit •15V withstand at N-channel open drain output 	<ul style="list-style-type: none"> •Output form : CMOS/N-channel open drain (each bit) 	-																																			
PORT7 P70-P73 $\overline{P74}$ -P75	I/O I	<ul style="list-style-type: none"> •4-bit input/output port Input/output in bit unit •2-bit input port •Other pin functions P70 : INT0 input/HOLD release/N-channel Tr. output for watchdog timer P71 : INT1 input/HOLD release input P72 : INT2 input/timer 0 event input P73 : INT3 input with noise filter/timer 0 event input $\overline{P74}$: 32.768kHz crystal oscillation terminal XT1 P75 : 32.768kHz crystal oscillation terminal XT2 •Interrupt received form, vector address <table border="1" style="margin-left: 20px;"> <thead> <tr> <th></th> <th>rising</th> <th>falling</th> <th>rising & falling</th> <th>high level</th> <th>low level</th> <th>vector</th> </tr> </thead> <tbody> <tr> <td>INT0</td> <td>enable</td> <td>enable</td> <td>disable</td> <td>enable</td> <td>enable</td> <td>03H</td> </tr> <tr> <td>INT1</td> <td>enable</td> <td>enable</td> <td>disable</td> <td>enable</td> <td>enable</td> <td>0BH</td> </tr> <tr> <td>INT2</td> <td>enable</td> <td>enable</td> <td>enable</td> <td>disable</td> <td>disable</td> <td>13H</td> </tr> <tr> <td>INT3</td> <td>enable</td> <td>enable</td> <td>enable</td> <td>disable</td> <td>disable</td> <td>1BH</td> </tr> </tbody> </table>		rising	falling	rising & falling	high level	low level	vector	INT0	enable	enable	disable	enable	enable	03H	INT1	enable	enable	disable	enable	enable	0BH	INT2	enable	enable	enable	disable	disable	13H	INT3	enable	enable	enable	disable	disable	1BH	-	PROM control signals DASEC (*1) \overline{OE} (*2) \overline{CE} (*3)
	rising	falling	rising & falling	high level	low level	vector																																	
INT0	enable	enable	disable	enable	enable	03H																																	
INT1	enable	enable	disable	enable	enable	0BH																																	
INT2	enable	enable	enable	disable	disable	13H																																	
INT3	enable	enable	enable	disable	disable	1BH																																	

LC86P6560

Pin name	I/O	Function description	Option	PROM mode
PORT8 P80-P83 P84-P87	I I/O	<ul style="list-style-type: none"> •4-bit input/output port Input/output in bit unit •4-bit input port •Other function AD input port (8 port pins) 	-	-
S0/T0 to S6/T6 *6	O	Output for VFD display controller segment/timing in common	-	-
S7/T7 to S15/T15 *7	O	<ul style="list-style-type: none"> •Output for VFD display controller segment/timing with internal pull-down resistor in common •Internal pull-down resistor output 	-	TA (*5)
S16 to S31 *8	I/O	<ul style="list-style-type: none"> •Output for VFD display controller segment •Other function <p>S16 : High voltage input port PC0 S17 : High voltage input port PC1 S18 : High voltage input port PC2 S19 : High voltage input port PC3 S20 : High voltage input port PC4 S21 : High voltage input port PC5 S22 : High voltage input port PC6 S23 : High voltage input port PC7</p> <p>S24 : High voltage input port PD0 S25 : High voltage input port PD1 S26 : High voltage input port PD2 S27 : High voltage input port PD3 S28 : High voltage input port PD4 S29 : High voltage input port PD5 S30 : High voltage input port PD6 S31 : High voltage input port PD7</p>	-	•Address input A15 to A0
S32 to S47 *9	I/O	<ul style="list-style-type: none"> •Output for VFD display controller segment •Other function <p>S32 : High voltage input port PE0 S33 : High voltage input port PE1 S34 : High voltage input port PE2 S35 : High voltage input port PE3 S36 : High voltage input port PE4 S37 : High voltage input port PE5 S38 : High voltage input port PE6 S39 : High voltage input port PE7</p> <p>S40 : High voltage I/O port PF0 S41 : High voltage I/O port PF1 S42 : High voltage I/O port PF2 S43 : High voltage I/O port PF3 S44 : High voltage I/O port PF4 S45 : High voltage I/O port PF5 S46 : High voltage I/O port PF6 S47 : High voltage I/O port PF7</p>	-	-

Pin name	I/O	Function description	Option	PROM mode
S48 to S51 *9	I/O	<ul style="list-style-type: none"> •Output for VFD display controller segment •Other function S48 : High voltage I/O port PG0 S49 : High voltage I/O port PG1 S50 : High voltage I/O port PG2 S51 : High voltage I/O port PG3 	-	-
RES	I	Reset pin	-	-
XT1/ $\overline{P74}$	I	<ul style="list-style-type: none"> •Input pin for 32.768kHz crystal oscillation •Other function XT1 : Input port $\overline{P74}$ In case of non use, connect to VDD1. 	-	-
XT2/P75	O	<ul style="list-style-type: none"> •Output pin for 32.768kHz crystal oscillation •Other function XT2 : Input port P75 In case of non use, connect to VDD1 at using as port or unconnect at using as oscillation. 	-	-
CF1	I	Input pin for ceramic resonator oscillation	-	-
CF2	O	Output pin for ceramic resonator oscillation	-	-

*All of port options (except pull-up resistor of port 0) can be specified in bit unit.

*1 Memory select input for data security

*2 Output enable input

*3 Chip enable input

*4 Connect like the following figure to reduce noise into a VDD1 terminal.

Shorted the VSS1 terminal to the VSS2 terminal and to make the back-up time long.

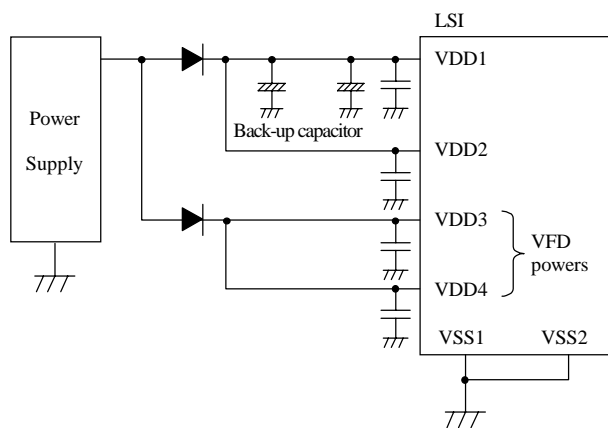
*5 TA → PROM control signal input

*6 S0/T0 to S6/T6 : not provided the pull-down resistor

*7 S7/T7 to S15/T15 : provided the pull-down resistor (fixed)

*8 S16 to S31 : provided the pull-down resistor (fixed)

*9 S32 to S51 : not provided the pull-down resistor



LC86P6560

1. Absolute Maximum Ratings at VSS1=VSS2=0V and Ta=25°C

Parameter	Symbol	Pins	Conditions	Ratings			unit		
				VDD[V]	min.	typ.		max.	
Supply voltage	VDDMAX	VDD1, VDD2 VDD3, VDD4	VDD1=VDD2= VDD3=VDD4		-0.3		+7.0	V	
Input voltage	VI(1)	•Ports 74,75 •Ports 80,81,82,83 •Port 8 •RES			-0.3		VDD+0.3		
	VI(2)	VP			VDD-45		VDD+0.3		
Output voltage	VO	S0/T0 to S15/T15			VDD-45		VDD+0.3		
Input/output voltage	VIO(1)	•Port 1 •Ports 70,71,72,73 •Ports 84,85,86,87 •Ports 0, 3 at CMOS output option			-0.3		VDD+0.3		
	VIO(2)	Ports 0, 3 at N-ch open drain output option			-0.3		15		
	VIO(3)	S16 to S51			VDD-45		VDD+0.3		
High level output current	Peak output current	IOPH(1)	Ports 0, 1, 3	•CMOS output •At each pins		-10		mA	
		IOPH(2)	S0/T0 to S15/T15	At each pins		-30			
		IOPH(3)	S16 to S51	At each pins		-15			
	Total output current	ΣIOAH(1)	Port 0	The total of all pins		-30			
		ΣIOAH(2)	Ports 1, 3	The total of all pins		-30			
		ΣIOAH(3)	S0/T0 to S15/T15	The total of all pins		-55			
		ΣIOAH(4)	S16 to S27	The total of all pins		-60			
Low level output current	Peak output current	IOPL(1)	•Ports 0, 1, 3	At each pins			20		
		IOPL(2)	•Ports 70,71,72,73 •Ports 84,85,86,87	At each pins			15		
	Total output current	ΣIOAL(1)	Port 0	The total of all pins				60	
		ΣIOAL(2)	Ports 1, 3, 70	The total of all pins				50	
		ΣIOAL(3)	•Ports 71,72,73 •Ports 84,85,86,87	The total of all pins				20	
	Maximum power dissipation	Pdmax	QFP100E	Ta=-30 to+70°C				500	mW
Operating temperature range	Topr				-30		+70	°C	
Storage temperature range	Tstg				-55		+125		

LC86P6560

2. Recommended Operating Range at Ta=-30°C to +70°C, VSS1=VSS2=0V

Parameter	Symbol	Pins	Conditions	Ratings			unit	
				VDD[V]	min.	typ.		max.
Operating supply voltage range	VDD	VDD1=VDD2=VDD3=VDD4	0.98μs ≤ tCYC ≤ 400μs		4.5		6.0	V
Hold voltage	VHD	VDD1=VDD2	RAMs and the registers hold voltage at HOLD mode.		2.0		6.0	
Pull-down voltage	VP	VP		4.5-6.0	-35		VDD	
Input high voltage	VIH(1)	Port 0 CMOS output option	Output disable	4.5-6.0	0.33VDD +1.0		VDD	
	VIH(2)	Port 0 at N-ch open drain output	Output disable	4.5-6.0	0.75VDD		13.5	
	VIH(3)	•Port 1 •Ports 72,73 •Port 3 at CMOS output option	Output disable	4.5-6.0	0.75VDD		VDD	
	VIH(4)	•Port 3 at N-ch open drain output	Output disable Tr. OFF	4.5-6.0	0.75VDD		13.5	
	VIH(5)	•Port 70 Port input/interrupt •Port 71 •RES	Output disable	4.5-6.0	0.75VDD		VDD	
	VIH(6)	Port 70 Watchdog timer	Output disable	4.5-6.0	0.9VDD		VDD	
	VIH(7)	•Port 8 •Ports 74,75	Output disable	4.5-6.0	0.75VDD		VDD	
	VIH(8)	S16 to S51	Output P-channel Tr. OFF	4.5-6.0	0.33VDD +1.0		VDD	
Input low voltage	VIL(1)	Port 0 at CMOS output option	Output disable	4.5-6.0	VSS		0.2VDD	
	VIL(2)	Port 0 at N-ch open drain output	Output disable	4.5-6.0	VSS		0.25VDD	
	VIL(3)	•Ports 1,3 •Ports 72,73	Output disable	4.5-6.0	VSS		0.25VDD	
	VIL(4)	•Port 70 Port input/interrupt •Port 71 •RES	Output disable	4.5-6.0	VSS		0.25VDD	
	VIL(5)	Port 70 Watchdog timer	Output disable	4.5-6.0	VSS		0.8VDD -1.0	
	VIL(6)	•Port 8 •Ports 74,75	Output disable	4.5-6.0	VSS		0.25VDD	
	VIL(7)	S16 to S51	Output P-channel Tr. OFF	4.5-6.0	VP		0.2VDD	
Operation cycle time	tCYC			4.5-6.0	0.98		400	μs

Continue.

LC86P6560

Parameter	Symbol	Pins	Conditions	Ratings			unit	
				VDD[V]	min.	typ.		max.
Oscillation frequency range (Note 1)	FmCF(1)	CF1, CF2	•6MHz (ceramic resonator oscillation) •Refer to figure 1	4.5-6.0		6		MHz
	FmCF(2)	CF1, CF2	•3MHz (ceramic resonator oscillation) •Refer to figure 1	4.5-6.0		3		
	FmRC		RC oscillation	4.5-6.0	0.3	0.8	3.0	
	FsXtal	XT1, XT2	•32.768kHz (crystal oscillation) •Refer to figure 2	4.5-6.0		32.768		kHz
Oscillation stabilizing time period (Note 1)	tmsCF(1)	CF1, CF2	•6MHz (ceramic resonator oscillation) •Refer to figure 3	4.5-6.0				ms
	tmsCF(2)	CF1, CF2	•3MHz (ceramic resonator oscillation) •Refer to figure 3	4.5-6.0				
	tssXtal	XT1, XT2	•32.768kHz (crystal oscillation) •Refer to figure 3	4.5-6.0				s

(Note 1) The oscillation constant is shown on table 1.

3. Electrical Characteristics at Ta=-30°C to +70°C, VSS1=VSS2=0V

Parameter	Symbol	Pins	Conditions	VDD[V]	Ratings			unit
					min.	typ.	max.	
Input high current	IIH(1)	Ports 0,3 of open drain output	•Output disable •VIN=13.5V (including the off-leak current of the output Tr.)	4.5-6.0			5	μA
	IIH(2)	•Port 0 without pull-up MOS Tr. •Ports 1,3	•Output disable •Pull-up MOS Tr. OFF. VIN=VDD (including the off-leak current of the output Tr.)	4.5-6.0			1	
	IIH(3)	•Ports 70,71,72,73 •Port 8	•Output disable •VIN=VDD (including the off-leak current of the output Tr.)	4.5-6.0			1	
	IIH(4)	RES	VIN=VDD	4.5-6.0			1	
	IIH(5)	Ports 74,75	VIN=VDD	4.5-6.0			1	
	IIH(6)	•S32 to S51 without pull-down resistor	•Output P-channel Tr. OFF •VIN=VDD	4.5-6.0			1	
Input low current	IIL(1)	•Ports 1,3 •Port 0 without pull-up MOS Tr.	•Output disable •Pull-up MOS Tr. OFF. VIN=VSS (including the off-leak current of the output Tr.)	4.5-6.0	-1			
	IIL(2)	•Ports 70,71,72,73 •Port 8	•Output disable •VIN=VSS (including the off-leak current of the output Tr.)	4.5-6.0	-1			
	IIL(3)	RES	VIN=VSS	4.5-6.0	-1			
	IIL(4)	Ports 74,75	VIN=VSS	4.5-6.0	-1			
Output high voltage	VOH(1)	Ports 0,1,3 of CMOS output	IOH=-1.0mA	4.5-6.0	VDD-1			V
	VOH(2)		IOH=-0.1mA	4.5-6.0	VDD-0.5			
	VOH(3)	S0/T0 to S15/T15	IOH=-20mA	4.5-6.0	VDD-1.8			
	VOH(4)		•IOH=-1mA •The current of any unmeasurement pin is not over 1mA.	4.5-6.0	VDD-1			
	VOH(5)	S16 to S51	IOH=-5mA	4.5-6.0	VDD-1.8			
	VOH(6)		The current of any unmeasurement pin is not over 1mA.	4.5-6.0	VDD-1			
Output low voltage	VOL(1)	Ports 0, 1, 3	IOL=10mA	4.5-6.0			1.5	
	VOL(2)		IOL=1.6mA	4.5-6.0			0.4	
	VOL(3)	Port 70	IOL=1mA	4.5-6.0			0.4	
	VOL(4)	•Ports 71,72,73 •Ports 84,85,86,87	IOL=1.6mA	4.5-6.0			0.4	
Pull-up MOS Tr. resistor	Rpu	•Ports 0, 1, 3	VOH=0.9VDD	4.5-6.0	15	40	70	KΩ

Continue.

LC86P6560

Parameter	Symbol	Pins	Conditions	Ratings			unit	
				VDD[V]	min.	typ.		max.
Output off-leak current	I _{OFF} (1)	S0/T0 to S6/T6, S32 to S51 without pull-down resistor	•Output P-ch Tr. OFF •V _{OUT} =V _{SS}	4.5-6.0	-1			μA
	I _{OFF} (2)		•Output P-ch Tr. OFF •V _{OUT} =V _{DD} -40V	4.5-6.0	-30			
Resistance of the low level hold Tr.	R _{inpd}	S16 to S51	•Output P-ch Tr. OFF •Using as input ports	4.5-6.0		200		KΩ
High voltage pull-down resistor	R _{pd}	S7/T7 to S15/T15, S16 to S31	•Output P-ch Tr. OFF •V _{OUT} =3V •V _p =-30V	5.0	60	100	200	
VP pull-down resistor	R _{vppd}	V _p	•V _{SS} =GND •V _p =-30V	5.0	60	100	200	
Hysteresis voltage	V _{HIS}	•Port 1 •Ports 70,71,72,73,75 •RES	Output disable	4.5-6.0		0.1V _{DD}		V
Pin capacitance	CP	All pins	•f=1MHz •Unmeasurement terminals for the input are set to V _{SS} level. •T _a =25°C	4.5-6.0		10		pF

4. Serial Input/Output Characteristics at T_a=-30°C to +70°C, V_{SS1}=V_{SS2}=0V

Parameter	Symbol	Pins	Conditions	Ratings			unit			
				VDD[V]	min.	typ.		max.		
Serial clock	Input clock	Cycle	t _{CKCY} (1)	SCK0, SCK1	Refer to figure 5.	4.5-6.0	2			t _{CYC}
		Low Level pulse width	t _{CKL} (1)				1			
		High Level pulse width	t _{CKH} (1)				1			
	Output clock	Cycle	t _{CKCY} (2)	SCK0, SCK1	•Use pull-up resistor (1kΩ) when opendrain output. •Refer to figure 5.	4.5-6.0	2			
		Low Level pulse width	t _{CKL} (2)					1/2 t _{CKCY}		
		High Level pulse width	t _{CKH} (2)					1/2 t _{CKCY}		
Serial input	Data set up time	t _{ICK}	•SI0,SI1 •SB0,SB1	•Data set-up to SCK0,1 •Data hold from SCK0,1 •Refer to figure 5.	4.5-6.0	0.1			μs	
	Data hold time	t _{CKI}				0.1				
Serial output	Output delay time (Serial clock is external clock)	t _{CKO} (1)	•SO0,SO1 •SB0,SB1	•Use pull-up resistor (1kΩ) when open drain output. •Data hold from SCK0,1 •Refer to figure 5.	4.5-6.0			7/12 t _{CYC} +0.2		
	Output delay time (Serial clock is internal clock)	t _{CKO} (2)						1/3 t _{CYC} +0.2		

5. Pulse Input Conditions at Ta=-30°C to +70°C, VSS1=VSS2=0V

Parameter	Symbol	Pins	Conditions	Ratings			unit	
				VDD[V]	min.	typ.		max.
High/low level pulse width	tPIH(1) tPIL(1)	•INT0, INT1 •INT2/T0IN	•Interrupt acceptable •Timer0-countable	4.5-6.0	1			tCYC
	tPIH(2) tPIL(2)	INT3/T0IN (The noise rejection clock is selected to 1/1.)	•Interrupt acceptable •Timer0-countable	4.5-6.0	2			
	tPIH(3) tPIL(3)	INT3/T0IN (The noise rejection clock is selected to 1/16.)	•Interrupt acceptable •Timer0-countable	4.5-6.0	32			
	tPIH(4) tPIL(4)	INT3/T0IN (The noise rejection clock is selected to 1/64.)	•Interrupt acceptable •Timer0-countable	4.5-6.0	128			
	tPIL(5)	$\overline{\text{RES}}$	Reset acceptable	4.5-6.0	200			μs

6. AD Converter Characteristics at Ta=-30°C to + 70°C, VSS1=VSS2=0V

Parameter	Symbol	Pins	Conditions	Ratings			unit	
				VDD[V]	min.	typ.		max.
Resolution	N			4.5-6.0		8		bit
Absolute precision (Note 2)	ET			4.5-6.0			±1.5	LSB
Conversion time	tCAD		AD conversion time = 16 × tCYC (ADCR2=0) (Note 3)	4.5-6.0	15.68 (tCYC= 0.98μs)		65.28 (tCYC= 4.08μs)	μs
			AD conversion time = 32 × tCYC (ADCR2=1) (Note 3)		31.36 (tCYC= 0.98 μs)		130.56 (tCYC= 4.08μs)	
Analog input voltage range	VAIN	AN0 to AN7		4.5-6.0	VSS		VDD	V
Analog port input current	IAINH		VAIN=VDD	4.5-6.0			1	μA
	IAINL		VAIN=VSS	4.5-6.0	-1			

(Note 2) Absolute precision excepts quantizing error (±1/2 LSB).

(Note 3) The conversion time means the time from executing the AD conversion instruction to setting the complete digital conversion value to the register.

7. Current Dissipation Characteristics at Ta=-30°C to +70°C, VSS1=VSS2=0V

Parameter	Symbol	Pins	Conditions	Ratings			unit	
				VDD[V]	min.	typ.		max.
Current dissipation during basic operation (Note 4)	IDDOP(1)		<ul style="list-style-type: none"> •FmCF=6MHz Ceramic resonator oscillation •Internal RC oscillation stops •FsXtal=32.768kHz crystal oscillation •System clock : CF oscillation •1/1 divided 	4.5-6.0		14	33	mA
	IDDOP(2)		<ul style="list-style-type: none"> •FmCF=3MHz Ceramic resonator oscillation •Internal RC oscillation stops •FsXtal=32.768kHz crystal oscillation •System clock : CF oscillation •1/2 divided 	4.5-6.0		6	18	
	IDDOP(3)		<ul style="list-style-type: none"> •FmCF=0Hz (when oscillation stops) •FsXtal=32.768kHz crystal oscillation •System clock : RC oscillation •1/2 divided 	4.5-6.0		4	13	
	IDDOP(4)		<ul style="list-style-type: none"> •FmCF=0Hz (when oscillation stops) •FsXtal=32.768kHz crystal oscillation •System clock : crystal oscillation •Internal RC oscillation stops •1/2 divided 	4.5-6.0		3	10	

Continue.

LC86P6560

Parameter	Symbol	Pins	Conditions	Ratings			unit		
				VDD[V]	min.	typ.		max.	
Current dissipation in HALT mode (Note 4)	IDDHALT(1)		<ul style="list-style-type: none"> •HALT mode •FmCF=6MHz Ceramic resonator oscillation •Internal RC oscillation stops •FsXtal=32.768kHz crystal oscillation •System clock : CF oscillation •1/1 divided 	4.5-6.0		5	14	mA	
	IDDHALT(2)		<ul style="list-style-type: none"> •HALT mode •FmCF=3MHz Ceramic resonator oscillation •Internal RC oscillation stops •FsXtal=32.768kHz crystal oscillation •System clock : CF oscillation •1/2 divided 	4.5-6.0		2.2	7		
	IDDHALT(3)		<ul style="list-style-type: none"> •HALT mode FmCF=0Hz (when oscillation stops) •FsXtal=32.768kHz crystal oscillation •System clock : RC oscillation •1/2 divided 	4.5-6.0		400	1600		μA
	IDDHALT(4)		<ul style="list-style-type: none"> •HALT mode FmCF=0Hz (when oscillation stops) •FsXtal=32.768kHz crystal oscillation •System clock : crystal oscillation •Internal RC oscillation stops •1/2 divided 	4.5-6.0		25	100		
Current dissipation in HOLD mode (Note 4)	IDDHOLD		HOLD mode	4.5-6.0		0.05	30		

(Note 4) The currents of the output transistors and the pull-up MOS transistors are ignored.

Table 1. Ceramic resonator oscillation guaranteed constant (main clock)

Oscillation type	Maker	Oscillator	C1	C2
6MHz ceramic resonator oscillation	Murata	To be determind		
	Kyocera			
3MHz ceramic resonator oscillation	Murata			
	Kyocera		KBR-3.0MS	

* Both C1 and C2 must use K rank ($\pm 10\%$) and SL characteristics.

Table 2. Crystal oscillation recommended constant (sub clock)

Oscillation type	Maker	Oscillator	C3	C4	Rf	Rd
32.768kHz crystal oscillation						

* Both C3 and C4 must use J rank ($\pm 5\%$) and CH characteristics.

(It is about the application, which is not in need of high precision. Use K rank ($\pm 10\%$) and SL characteristics.)

- (Notes)
- Since the circuit pattern affects the oscillation frequency, place the oscillation-related parts as close to the oscillation pins as possible with the shortest possible pattern length.
 - If you use other oscillators herein, we provide no guarantee for the characteristics.

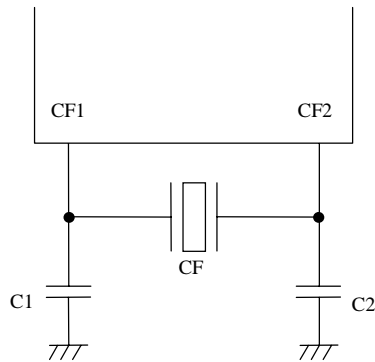


Figure 1 Ceramic oscillation circuit

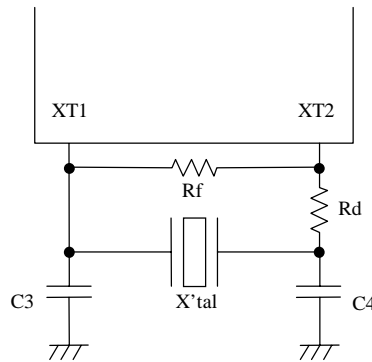


Figure 2 Crystal oscillation circuit

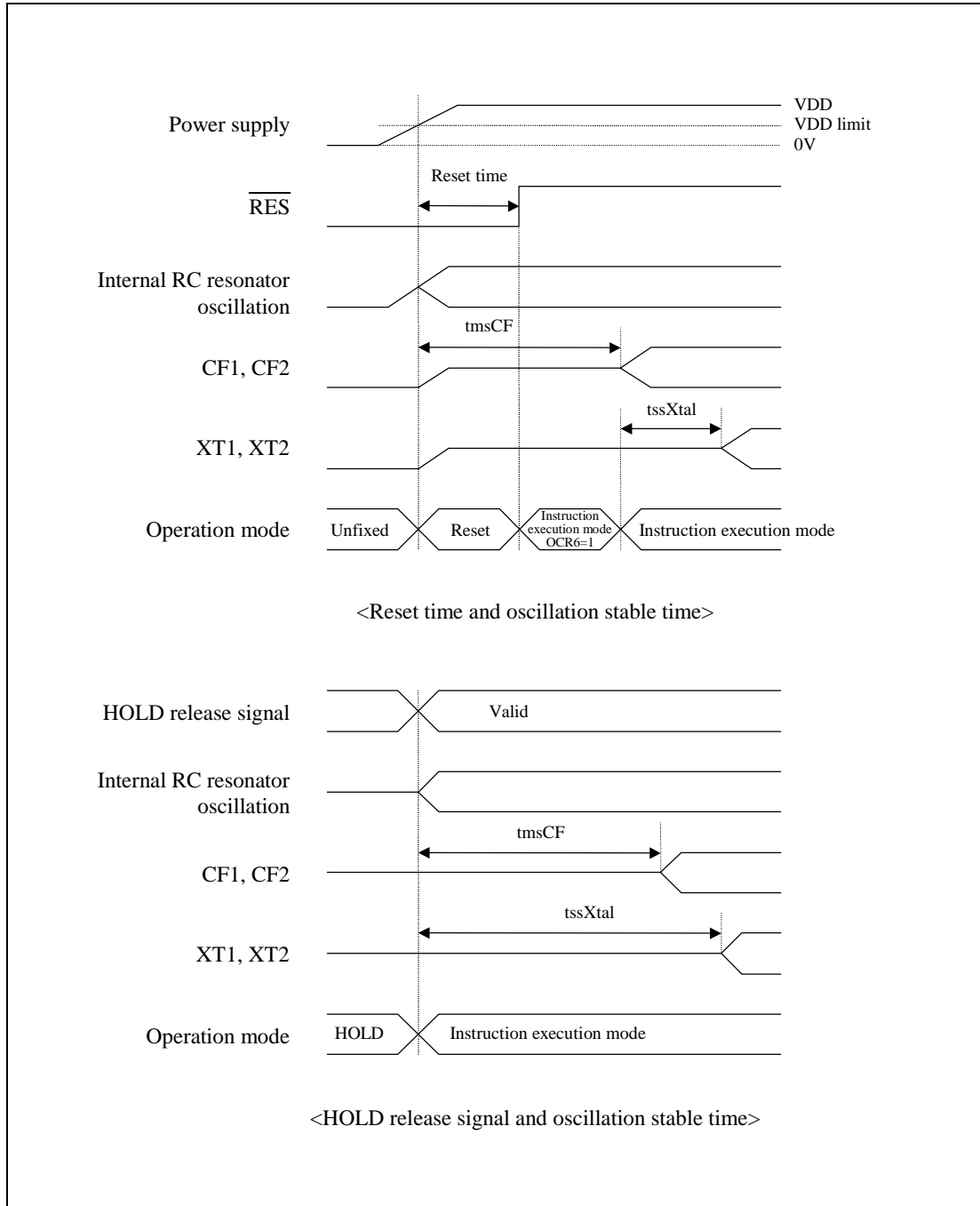
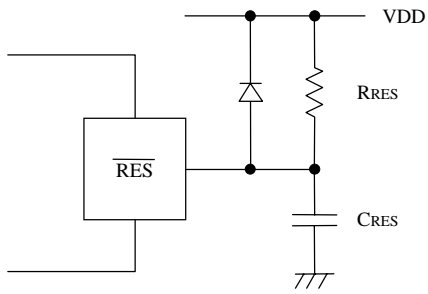


Figure 3 Oscillation stable time



(Note) Fix the value of CRES, RRES that is sure to reset until 200 μ s, after Power supply has been over inferior limit of supply voltage.

Figure 4 Reset circuit

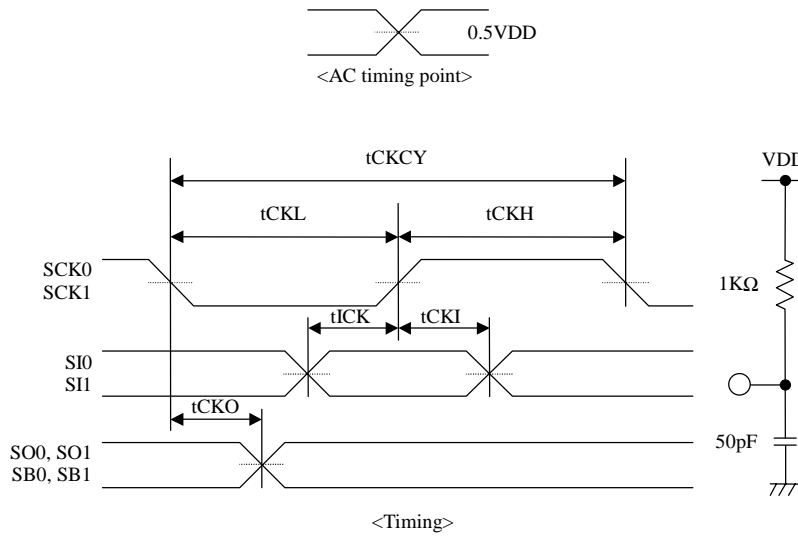


Figure 5 Serial input / output test condition

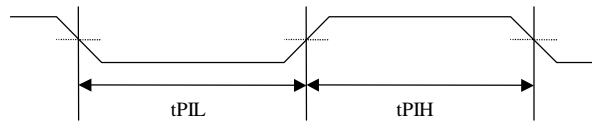


Figure 6 Pulse input timing condition

Notice for use

- The construction of the one-time programmable microcomputer with a blank built-in PROM makes it impossible for Sanyo to completely factory-test it before shipping. To probe reliability of the programmed devices, the screening procedure shown in the following figure should always be followed.

- It is not possible to perform a writing test on the blank PROM. 100% yield, therefore, cannot be guaranteed.

- Keeping the dry packing

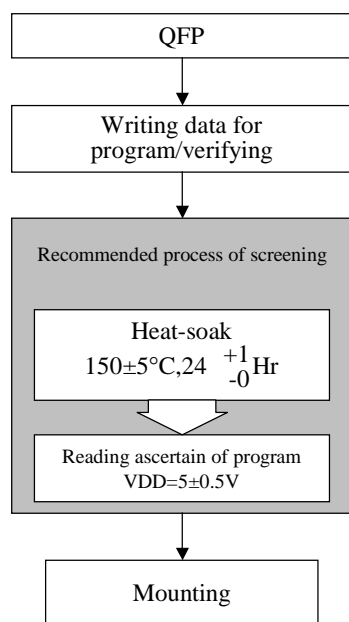
The environment must be held at a temperature of 30°C or less and a humidity level of 70% or less.

- After opening the packing

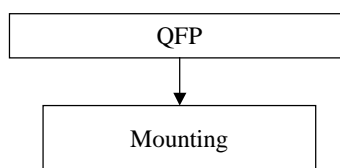
The preparation procedures shown in the following figure should always be followed prior to mounting the packages on the substrate. After opening the packing, a controlled environment must be maintained until soldering. The environment must be held at a temperature of 30°C or less and a humidity level of 70% or less. Please solder within 96 hours.

Unused devices should be kept in the dry atmosphere such as inside of desiccator or dry these up before assembling on the board.

a. Shipping with a blank PROM
(Programming the data by yourself)



b. Shipping with a programmed PROM
(Programming the data by Sanyo)



memo:

- Specifications of any and all SANYO products described or contained herein stipulate the performance, characteristics, and functions of the described products in the independent state, and are not guarantees of the performance, characteristics, and functions of the described products as mounted in the customer's products or equipment. To verify symptoms and states that cannot be evaluated in an independent device, the customer should always evaluate and test devices mounted in the customer's products or equipment.
- SANYO Electric Co., Ltd. strives to supply high-quality high-reliability products. However, any and all semiconductor products fail with some probability. It is possible that these probabilistic failures could give rise to accidents or events that could endanger human lives, that could give rise to smoke or fire, or that could cause damage to other property. When designing equipment, adopt safety measures so that these kinds of accidents or events cannot occur. Such measures include but are not limited to protective circuits and error prevention circuits for safe design, redundant design, and structural design.
- In the event that any or all SANYO products (including technical data, services) described or contained herein are controlled under any of applicable local export control laws and regulations, such products must not be exported without obtaining the export license from the authorities concerned in accordance with the above law.
- No part of this publication may be reproduced or transmitted in any form or by any means, electronic or mechanical, including photocopying and recording, or any information storage or retrieval system, or otherwise, without the prior written permission of SANYO Electric Co., Ltd.
- Any and all information described or contained herein are subject to change without notice due to product/technology improvement, etc. When designing equipment, refer to the "Delivery Specification" for the SANYO product that you intend to use.
- Information (including circuit diagrams and circuit parameters) herein is for example only ; it is not guaranteed for volume production. SANYO believes information herein is accurate and reliable, but no guarantees are made or implied regarding its use or any infringements of intellectual property rights or other rights of third parties.

This catalog provides information as of September, 2000. Specifications and information herein are subject to change without notice.