



LC895299W, 895299L

48× Speed ATAPI (IDE) CD-ROM Decoder with On-Chip Digital Servo System

Overview

The LC895299W and LC895299L are CD-ROM drive digital servo system ICs that integrate all signal-processing functions after the RF head amplifier on a single chip.

Functions

- Built-in digital servo and ATAPI (IDE) CD-ROM, CD-DSP, CAV audio, and 1-Mbit DRAM functions

Features

CD-DSP Block

- Supports full CAV operation at 48× speed
- Assures stable data readout by performing frame sync signal detection, protection, and interpolation.
- Demodulates the EFM signal to produce 8-bit symbol data.
- Applies a CRC check to the subcode Q signal and then outputs that signal via parallel I/O to the system microprocessor.
- Performs unscrambling and deinterleaving operations to rearrange the demodulated EFM signal in the stipulated order.
- Detects and corrects error signals and processes flags (C1: 2 errors, C2: 4 errors)
- References the C1 flags and the C2 error check result to set the C2 flags and interpolates or mutes the signal depending on the C2 flags.
- Provides two types of muting: zero-cross muting and soft muting.
- Independent left and right channel digital attenuators (8-bit resolution)

Provides two types of attenuation: direct attenuation and soft attenuation.

- Bilingual support
- Built-in digital audio interface (supports both CLV and CAV)
- Built-in digital deemphasis
- Built-in 8× oversampling digital filters
- Built-in D/A converters

CD-ROM Decoder and ATAPI (IDE) Interface Block

- Built-in ATAPI (IDE) interface
- The user can freely set the CD main channel, C2 flag, and subcode areas in internal DRAM.
- Batch transfer function (Function for transferring the CD main channel, C2 flag, or subcode data in a single operation.)
- Multiple transfer function (Function for transferring multiple blocks automatically in a single operation.)
- CAV audio functions
- Intelligent functions (auto buffering, auto decoding, and CD-R functions)
- Subcode P to W buffering function (No ECC) and CD-TEXT support
- Supports Ultra DMA MODE2, MODE1, and MODE0
- Built in 1-Mbit DRAM

■ Any and all SANYO products described or contained herein do not have specifications that can handle applications that require extremely high levels of reliability, such as life-support systems, aircraft's control systems, or other applications whose failure can be reasonably expected to result in serious physical and/or material damage. Consult with your SANYO representative nearest you before using any SANYO products described or contained herein in such applications.

■ SANYO assumes no responsibility for equipment failures that result from using products at values that exceed, even momentarily, rated values (such as maximum ratings, operating condition ranges, or other parameters) listed in products specifications of any and all SANYO products described or contained herein.

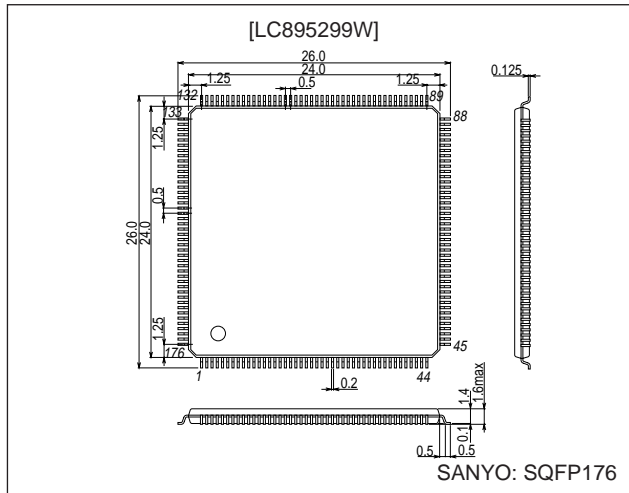
SANYO Electric Co.,Ltd. Semiconductor Company

TOKYO OFFICE Tokyo Bldg., 1-10, 1 Chome, Ueno, Taito-ku, TOKYO, 110-8534 JAPAN

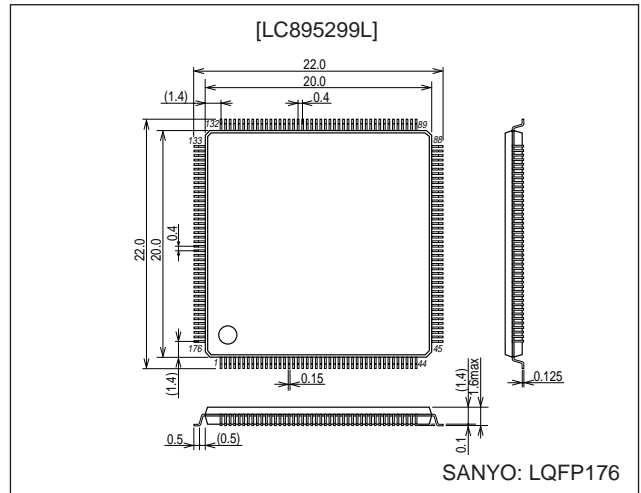
Package Dimensions

unit: mm

3230-SQFP176



3244-LQFP176



Specifications

Absolute Maximum Ratings at $V_{SS} = 0$ V

Parameter	Symbol	Conditions	Ratings	Unit
Maximum supply voltage	V_{DD5} max	$T_a = 25^\circ\text{C}$	-0.3 to +6.0	V
	V_{DD3} max	$T_a = 25^\circ\text{C}$	-0.3 to +4.6	V
Input and output voltages	V_{I5}, V_{O5}	$T_a = 25^\circ\text{C}$	-0.3 to $V_{DD5} + 0.3$	V
	V_{I3}, V_{O3}	$T_a = 25^\circ\text{C}$	-0.3 to $V_{DD3} + 0.3$	V
Allowable power dissipation	P_d max	$T_a \leq 70^\circ\text{C}$	550	mW
Operating temperature	T_{opr}		-30 to +70	$^\circ\text{C}$
Storage temperature	T_{stg}		-55 to +125	$^\circ\text{C}$
Soldering conditions (pins only)		10 seconds	235	$^\circ\text{C}$
Input and output power	I_I, I_O		± 20 *	mA

Note: * Per single input or output basic cell.

Allowable Operating Ranges at $T_a = 0$ to $+70^\circ\text{C}$, $V_{SS} = 0$ V

I/O Cell 5.0-V Power Supply

Parameter	Symbol	Conditions	Ratings			Unit
			min	typ	max	
Supply voltage	V_{DD}		4.5	5.0	5.5	V
Input voltage range	V_{IN}		0		V_{DD}	V

Note: The input voltage range for speeds of 45x or over is 4.5 to 5.25 V.

Internal Cell 3.3-V Power Supply

Parameter	Symbol	Conditions	Ratings			Unit
			min	typ	max	
Supply voltage	V_{DD}		3.0	3.3	3.8	V
Input voltage range	V_{IN}		0		V_{DD}	V

Note: The input voltage range differs depending on the drive speed used. Contact your Sanyo representative for details.

LC895299W, 895299L

DC Characteristics at Ta = 0 to +70°C, VSS = 0 V, VDD = 4.5 to 5.5 V

Parameter	Symbol	Conditions	Applicable pins *	Ratings			Unit
				min	typ	max	
Input high-level voltage	V _{IH}	TTL level inputs	1	2.2			V
Input low-level voltage	V _{IL}					0.8	
Input high-level voltage	V _{IH}	TTL level inputs with pull-up resistors	7	2.2			V
Input low-level voltage	V _{IL}					0.8	
Input high-level voltage	V _{IH}	TTL level inputs with pull-down resistors	2	2.2			V
Input low-level voltage	V _{IL}					0.8	
Input high-level voltage	V _{IH}	TTL level inputs Schmitt inputs	3, 9	2.4			V
Input low-level voltage	V _{IL}					0.8	
Input high-level voltage	V _{IH}	TTL level inputs Schmitt inputs with pull-up resistors	19, 20	2.4			V
Input low-level voltage	V _{IL}					0.8	
Input high-level voltage	V _{IH}	CMOS level inputs Schmitt inputs	4	0.8 V _{DD}			V
Input low-level voltage	V _{IL}					0.2 V _{DD}	
Input high-level voltage	V _{IH}	CMOS level inputs with pull-up resistors	5	0.7 V _{DD}			V
Input low-level voltage	V _{IL}					0.3 V _{DD}	
Analog input voltage	V _{ANI}		18	1/4 V _{DD}		3/4 V _{DD}	V
Output high-level voltage	V _{OH}	I _{OH} = -2 mA	6, 17	V _{DD} - 2.1			V
Output low-level voltage	V _{OL}	I _{OL} = 2 mA				0.4	V
Output high-level voltage	V _{OH}	I _{OH} = -8 mA	7, 8, 14	V _{DD} - 2.1			V
Output low-level voltage	V _{OL}	I _{OL} = 8 mA				0.4	V
Output high-level voltage	V _{OH}	I _{OH} = -4 mA	9, 12, 10, 20	V _{DD} - 2.1			V
Output low-level voltage	V _{OL}	I _{OL} = 24 mA				0.4	V
Output high-level voltage	V _{OH}	I _{OH} = -4 mA	16	V _{DD} - 2.1			V
Output low-level voltage	V _{OL}	I _{OL} = 4 mA				0.4	V
Output low-level voltage	V _{OL}	I _{OL} = 24 mA	11, 21			0.4	V
Output low-level voltage	V _{OL}	I _{OL} = 1 mA	13			0.4	V
Output low-level voltage	V _{OL}	I _{OL} = 8 mA	15			0.4	V
Analog output voltage	V _{ANO}		22	1/4 V _{DD}		3/4 V _{DD}	V
Input leakage current	I _{IL}	V _I = V _{SS} , V _{DD}	1, 3, 4, 9	-10		+10	μA
Output leakage current	I _{OZ}	During high-impedance output	9, 11, 13, 14, 16, 17	-10		+10	μA
Pull-up resistance	R _{UP}		5	50	100	200	kΩ
Pull-up resistance	R _{UP}		7, 15	20	40	80	kΩ
Pull-up resistance	R _{UP}		19, 20, 21	7	10	13	kΩ
Pull-down resistance	R _{DN}		2	50	100	200	kΩ
Pull-down resistance	R _{DN}		10	7	10	13	kΩ

Note: * The applicable pin column entries refer to the following sets.

INPUT

1 : ATPINSEL, SUA0 to SUA7
 2 : TEST0 to TEST2
 3 : DA0 to DA2, ZCS1FX, ZCS3FX, ZDIOR, ZDIOW, ZHRST, ZCS, ZRD, ZWR
 4 : ZRESET, ZDSPRST
 5 : FG
 18 : AD0, AD1, PH, BH, RREC, FE, TE, VREF, CSS, AD2
 19 : ZDMACK, CSEL

OUTPUT

6 : FSEQ
 8 : HFLO, FSX, EFLG, C2F, WRQ, DIR, PCK, EFMOU
 13 : HINTRQ
 11 : ZIOCS16
 10 : DMARQ
 13 : PDS1 to PDS3
 14 : DOUT
 15 : ZSWAIT, ZINT0, ZINT1
 21 : IORDY
 16 : DSLB, EQS, OUTPORT0 to OUTPORT2, MCK
 17 : RHL, TSH, BHH, GHS, LDON
 22 : PHC, BHC, FBAL, TBAL, SGC, TOFST, TDO, FDO, SLDO, SPDO

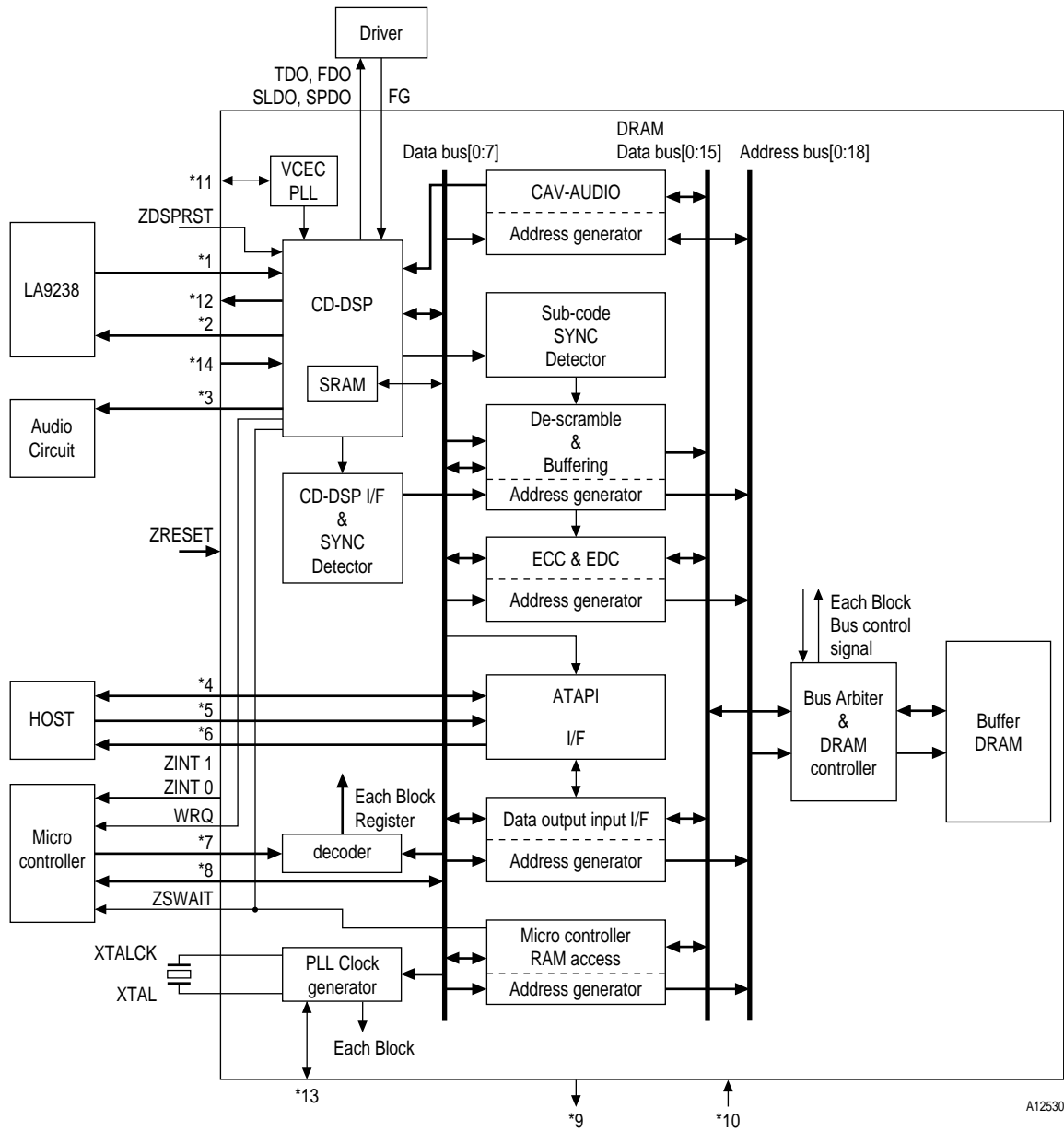
INOUT

7 : D0 to D7, TRV, TRV2
 9 : DD0 to DD15
 20 : ZDASP, ZPDIAG

Note: XTAL, XTALCK

The above pins are not included in the DC Characteristics.

Block Diagram



- *1 EFMIN, EFMIN2, PH, BH, FE, TE, TES, RREC
- *2 RHL, TSH, EQS, BHH, GHS, LDON, FBAL, TBAL, TOFST, SGC
- *3 LOUT, ROUT, DOUT
- *4 DD0 to DD15, ZDASP, ZPDIAG
- *5 ZCS1FX, ZCS3FX, DA0 to DA2, ZDIOR, ZDIOW, ZDMACK, ZHRST, CSEL
- *6 DMARQ, HINTRQ, ZIOCS16, IORDY
- *7 ZRD, ZWR, ZCS, CSCTRL, SUA0 to SUA7
- *8 D0 to D7
- *9 DIR/FLOCK, HFLO/TLOCK, FSEQ, FSX/LRCK, EFLG/CK2, C2F, EFMOUT, PCK, TRV2/DATA, TRV, PORT OUT0 to OUT2
- *10 ATPINSEL, TEST0 to TEST2
- *11 RPO, OPP, PCKISTF, PCKISTP, PDO, POS1 to POS3, FR
- *12 SLCO0 to SLCO3, JITC, DSLB, PHC, BHC
- *13 PLL1 to PLL3
- *14 SLCIT1 to SLCIT2, JITIN, AD0 to AD2, VREF, CSS

LC895299W, 895299L

Pin Functions

LC895299 Pin Functions 1

(When pin 95, ATPINSEL, is low)

Type					
I	INPUT	B	BIDIRECTION	NC	NOT CONNECT
O	OUTPUT	P	POWER		

Pin No.	Pin	Type	Function
1	V _{SS}	P	Logic system ground
2	FLOCK/CRCERR	O	Monitor outputs
3	DIR/TLOCK	O	
4	ZSWAIT	O	Wait signal output to the microcontroller
5	WRQ/HFLO	O	Monitor output
6	ZINT0	O	Microcontroller interrupt
7	ZINT1	O	
8	TEST0	I	Test pin (Must be tied to ground during normal operation.)
9	D0	B	Microcontroller data bus
10	D1	B	
11	D2	B	
12	D3	B	
13	D4	B	
14	D5	B	
15	D6	B	
16	D7	B	
17	MCK	O	Clock output to the microcontroller
18	ZCS	I	Microcontroller ZCS signal
19		NC	
20		NC	
21	V _{DD}	P	DRAM V _{DD} : 5 V
22	V _{DD1}	P	3.3 V
23	V _{SS}	P	Logic system ground
24	V _{SSD}	P	DRAM ground
25		NC	
26		NC	
27	SUA0	I	Microcontroller address bus
28	SUA1	I	
29	SUA2	I	
30	SUA3	I	
31	SUA4	I	
32	SUA5	I	
33	SUA6	I	
34	SUA7	I	
35	ZWR	I	Microcontroller write signal
36	ZRD	I	Microcontroller read signal
37	FSEQ	O	Frame synchronization detection
38	DOUT/TESO	O	Digital output/tes output
39	V _{DD0}	P	I/O system power supply: 5 V
40	V _{SS}	P	Logic system ground
41	PLL1	I	System Clock PLL
42	PLL2	I	
43	PLL3	O	
44	PLL1 V _{DD}	P	Logic PLL V _{DD} : 3.3 V
45	PLL1 V _{SS}	P	Logic PLL system ground
46	CSEL	I	ATAPI I/F
47	ZHRST	I	
48	ZDASP	B	
49	ZCS3FX	I	
50	ZCS1FX	I	
51	V _{SS1}	I	I/F ground
52	V _{DD0}	I	I/O system power supply: 5 V

Continued on next page.

LC895299W, 895299L

Continued from preceding page.

Pin No.	Pin	I/O	Function
53	DA2	I	ATAPI I/F
54	DA0	I	
55	ZPDIAG	B	
56	DA1	I	
57	ZIOCS16	O	
58	V _{SS1}	P	I/F ground
59	HINTRQ	O	ATAPI I/F
60	ZDMACK	I	
61	IORDY	O	
62	ZDIOR	I	
63	ZDIOW	I	
64	DMARQ	O	
65	V _{DD0}	P	I/O system power supply: 5 V
66	V _{DD1}	P	3.3 V
67	V _{SS1}	P	I/F ground
68	DD15	B	ATAPI I/F
69	DD0	B	
70	DD14	B	
71	DD1	B	
72	DD13	B	
73	V _{SS1}	P	I/F ground
74	DD2	B	ATAPI I/F
75	DD12	B	
76	DD3	B	
77	DD11	B	
78	DD4	B	
79	V _{SS1}	P	I/F ground
80	DD10	B	ATAPI I/F
81	DD5	B	
82	DD9	B	
83	DD6	B	
84	DD8	B	
85	DD7	B	
86	V _{DD0}	P	I/O system power supply: 5 V
87	ROUT	O	D/A converter output
88	AUV _{DD}	P	D/A converter V _{DD} : 5 V
89	AUV _{SS}	P	DAC ground
90	LOUT	O	D/A converter output
91	V _{SS}	P	Logic system ground
92	XTAL	O	XTALCK output
93	XTALCK	I	XTALCK input (33.8688 MHz)
94	V _{DD0}	P	I/O system power supply: 5 V
95	ATPINSEL	I	ATAPI pin assignment selection
96	TEST1	I	Test pin (Must be tied to ground during normal operation.)
97	FSX/LRCK	O	Monitor outputs
98	EFLG/CK2	O	
99	TRV2/DATA	B	General-purpose I/O ports
100	TRV	B	
101	C2F	O	C2F output
102	PCK	O	PCK output
103	EFMOUT	O	EFM output
104	OUTPORT0	O	General-purpose output ports
105	OUTPORT1	O	
106	OUTPORT2	O	
107		NC	

Continued on next page.

LC895299W, 895299L

Continued from preceding page.

Pin No.	Pin	I/O	Function
108		NC	
109	V _{SSD}	P	DRAM ground
110	V _{DD1}	P	3.3 V
111	V _{SS}	P	Logic GND
112	V _{DDD}	P	DRAM V _{DD} : 5 V
113		NC	
114		NC	
115	DSL _B	O	SLC PWM output
116	AV _{DD}	P	Slice level V _{DD} : 3.3 V
117	SLCIST1	I	EFM slice level setting
118	SLCIST2	I	
119	SLCO0	O	EFM slice level outputs
120	SLCO1	O	
121	SLCO2	O	
122	SLCO3	O	
123	EFMIN	I	EFM input
124	EFMIN2	I	
125	AV _{SS}	P	Slice level ground
126	JITIN	I	Jitter detection input
127	JITC	O	Jitter output
128	RPO	O	P/N balance adjustment
129	OPP	I	
130	PCKISTF	I	Frequency comparator charge pump setting
131	PCKISTP	I	Phase comparator charge pump setting
132	PLL2V _{DD}	P	VCEC PLL V _{DD} : 3.3 V
133	PLL2V _{SS}	P	VCEC PLL ground
134	PDO	O	Charge pump filter
135	PDS1	O	Charge pump selection
136	PDS2	O	
137	PDS3	O	
138	FR	I	VCO frequency setting
139	SV _{SS}	P	Servo system ground
140	AD0	I	A/D converter input 0
141	AD1	I	A/D converter input 1
142	PH	I	Peak hold circuit
143	BH	I	Bottom hold circuit
144	RREC	I	Optical recognition input
145	FE	I	FE input
146	TE	I	TE input
147	TES	I	TES comparator input
148	VREF	I	VREF input
149	CSS	I	Center servo input
150	AD2	I	A/D converter input 2
151	PHC	O	PH slice capacitor connection
152	BHC	O	BH slice capacitor connection
153	FBAL	O	Focus balance
154	SV _{DD}	P	Servo system V _{DD} : 5V
155	SV _{SS}	P	Servo system ground
156	TBAL	O	Tracking balance
157	SGC	O	Servo gain adjustment
158	TOFST	O	Tracking offset adjustment
159	TDO	O	Tracking output
160	FDO	O	Focus output
161	SLDO	O	Sled output
162	SPDO	O	Spindle output

Continued on next page.

LC895299W, 895299L

Continued from preceding page.

Pin No.	Pin	I/O	Function
163	V _{DD0}	P	A/D and D/A converter V _{DD} : 5 V
164	V _{SS}	P	Logic ground
165	V _{DD1}	P	3.3 V
166	RHLD	O	RF AGC hold output
167	TSH	O	TS frequency switching
168	EQS	O	RF equalizer selection
169	BHH	O	BH frequency switching
170	GHS	O	RF and TS signal gain switching
171	LDON	O	Laser control
172	TEST2	I	Test pin (Must be tied to ground during normal operation.)
173	FG	I	FG input
174	ZDSPRST	I	DSP RESET
175	ZRESET	I	CHIP RESET
176	V _{DD0}	P	I/O system V _{DD} : 5 V

All NC pins must be left open.

Pins whose name begin with Z operate with inverted (negative) logic.

Applications must supply 5 V to V_{DD0}, 3.3 V to V_{DD1}, the 1-bit D/A converter 5 V to AUV_{DD}, the logic PLL 3.3 V to PLL1V_{DD}, the VCEC PLL 3.3 V to PLL2V_{DD}, the slice level 3.3 V to AV_{DD}, the servo system 5 V to SV_{DD}, and the DRAM 5 V to V_{DD0}.

V_{SS} is the logic system ground, AUV_{SS} is the 1-bit D/A converter ground, V_{SS1} is the IDE interface driver ground, PLL1V_{SS} is the logic PLL ground, PLL2V_{SS} is the VCEC PLL ground, AV_{SS} is the slice level ground, SV_{SS} is the servo system ground, and V_{SSD} is the DRAM ground.

LC895299W, 895299L

Pin Functions

LC895299 Pin Functions 2

(When pin 95, ATPINSEL, is high)

Type					
I	INPUT	B	BIDIRECTION	NC	NOT CONNECT
O	OUTPUT	P	POWER		

Pin No.	Pin	Type	Function
1	V _{SS}	P	Logic system ground
2	FLOCK/CRCERR	O	Monitor outputs
3	DIR/TLOCK	O	
4	ZSWAIT	O	Wait signal output to the microcontroller
5	WRQ/HFLO	O	Monitor output
6	ZINT0	O	Microcontroller interrupt
7	ZINT1	O	
8	TEST0	I	Test pin (Must be tied to ground during normal operation.)
9	D0	B	Microcontroller data bus
10	D1	B	
11	D2	B	
12	D3	B	
13	D4	B	
14	D5	B	
15	D6	B	
16	D7	B	
17	MCK	O	Clock output to the microcontroller
18	ZCS	I	Microcontroller ZCS signal
19		NC	
20		NC	
21	V _{DD}	P	DRAM V _{DD} : 5 V
22	V _{DD1}	P	3.3 V
23	V _{SS}	P	Logic system ground
24	V _{SSD}	P	DRAM ground
25		NC	
26		NC	
27	SUA0	I	Microcontroller address bus
28	SUA1	I	
29	SUA2	I	
30	SUA3	I	
31	SUA4	I	
32	SUA5	I	
33	SUA6	I	
34	SUA7	I	
35	ZWR	I	Microcontroller write signal
36	ZRD	I	Microcontroller read signal
37	FSEQ	O	Frame synchronization detection
38	DOUT/TESO	O	Digital output/tes output
39	V _{DD0}	P	I/O system power supply: 5 V
40	V _{SS}	P	Logic system ground
41	PLL1	I	System Clock PLL
42	PLL2	I	
43	PLL3	O	
44	PLL1 V _{DD}	P	Logic PLL V _{DD} : 3.3 V
45	PLL1 V _{SS}	P	Logic PLL ground
46	CSEL	I	ATAPI I/F
47	DD7	B	
48	DD8	B	
49	DD6	B	
50	DD9	B	
51	V _{SS1}	P	I/F ground
52	V _{DD0}	P	I/O system power supply: 5 V

Continued on next page.

LC895299W, 895299L

Continued from preceding page.

Pin No.	Pin	I/O	Function
53	DD5	B	ATAPI I/F
54	DD10	B	
55	DD4	B	
56	DD11	B	
57	DD3	B	
58	V _{SS1}	P	I/F GND
59	DD12	B	ATAPI I/F
60	DD2	B	
61	DD13	B	
62	DD1	B	
63	DD14	B	
64	DD0	B	
65	V _{DD0}	P	I/O system power supply: 5 V
66	V _{DD1}	P	3.3 V
67	V _{SS1}	P	I/F GND
68	DD15	B	ATAPI I/F
69	DMARQ	O	
70	ZDIOW	I	
71	ZDIOR	I	
72	IORDY	O	
73	V _{SS1}	P	I/F GND
74	ZDMACK	I	ATAPI I/F
75	HINTRQ	O	
76	ZIOCS16	O	
77	DA1	I	
78	ZPDIAG	B	
79	V _{SS1}	P	I/F GND
80	DA0	I	ATAPI I/F
81	DA2	I	
82	ZCS1FX	I	
83	ZCS3FX	I	
84	ZDASP	B	
85	ZHRST	I	
86	V _{DD0}	P	I/O system power supply: 5 V
87	ROUT	O	D/A converter output
88	AUV _{DD}	P	D/A converter V _{DD} : 5 V
89	AUV _{SS}	P	DAC ground
90	LOUT	O	D/A converter output
91	V _{SS}	P	Logic system ground
92	XTAL	O	XTALCK output
93	XTALCK	I	XTALCK input (33.8688 MHz)
94	V _{DD0}	P	I/O system power supply: 5 V
95	ATPINSEL	I	ATAPI pin assignment selection
96	TEST1	I	Test pin (Must be tied to ground during normal operation.)
97	FSX/LRCK	O	Monitor outputs
98	EFLG/CK2	O	
99	TRV2/DATA	B	General-purpose I/O ports
100	TRV	B	
101	C2F	O	C2F output
102	PCK	O	PCK output
103	EFMOUT	O	EFM output
104	OUTPORT0	O	General-purpose output ports
105	OUTPORT1	O	
106	OUTPORT2	O	
107		NC	

Continued on next page.

LC895299W, 895299L

Continued from preceding page.

Pin No.	Pin	I/O	Function
108		NC	
109	V _{SSD}	P	DRAM ground
110	V _{DD1}	P	3.3 V
111	V _{SS}	P	Logic system ground
112	V _{DDD}	P	DRAM V _{DD} : 5 V
113		NC	
114		NC	
115	DSL _B	O	SLC PWM output
116	AV _{DD}	P	Slice level V _{DD} : 3.3 V
117	SLCIST1	I	EFM slice level setting
118	SLCIST2	I	
119	SLCO0	O	EFM slice level outputs
120	SLCO1	O	
121	SLCO2	O	
122	SLCO3	O	
123	EFMIN	I	EFM input
124	EFMIN2	I	
125	AV _{SS}	P	Slice level ground
126	JITIN	I	Jitter detection input
127	JITC	O	Jitter output
128	RPO	O	P/N balance adjustment
129	OPP	I	
130	PCKISTF	I	Frequency comparator charge pump setting
131	PCKISTP	I	Phase comparator charge pump setting
132	PLL2V _{DD}	P	VCEC PLL V _{DD} : 3.3 V
133	PLL2V _{SS}	P	VCEC PLL ground
134	PDO	O	Charge pump filter
135	PDS1	O	Charge pump selection
136	PDS2	O	
137	PDS3	O	
138	FR	I	VCO frequency setting
139	SV _{SS}	P	Servo system ground
140	AD0	I	A/D converter input 0
141	AD1	I	A/D converter input 1
142	PH	I	Peak hold circuit
143	BH	I	Bottom hold circuit
144	RREC	I	Optical recognition input
145	FE	I	FE input
146	TE	I	TE input
147	TES	I	TES comparator input
148	VREF	I	VREF input
149	CSS	I	Center servo input
150	AD2	I	A/D converter input 2
151	PHC	O	PH slice capacitor connection
152	BHC	O	BH slice capacitor connection
153	FBAL	O	Focus balance
154	SV _{DD}	P	Servo system V _{DD} : 5V
155	SV _{SS}	P	Servo system ground
156	TBAL	O	Tracking balance
157	SGC	O	Servo gain adjustment
158	TOFST	O	Tracking offset adjustment
159	TDO	O	Tracking output
160	FDO	O	Focus output
161	SLDO	O	Sled output
162	SPDO	O	Spindle output

Continued on next page.

LC895299W, 895299L

Continued from preceding page.

Pin No.	Pin	I/O	Function
163	V _{DD0}	P	A/D and D/A converter V _{DD} : 5 V
164	V _{SS}	P	Logic system ground
165	V _{DD1}	P	3.3 V
166	RHLD	O	RF AGC hold output
167	TSH	O	TS frequency switching
168	EQS	O	RF equalizer selection
169	BHH	O	BH frequency switching
170	GHS	O	RF and TS signal gain switching
171	LDON	O	Laser control
172	TEST2	I	Test pin (Must be tied to ground during normal operation.)
173	FG	I	FG input
174	ZDSPRST	I	DSP RESET
175	ZRESET	I	CHIP RESET
176	V _{DD0}	P	I/O system V _{DD} : 5 V

All NC pins must be left open.

Pins whose name begin with Z operate with inverted (negative) logic.

Applications must supply 5 V to V_{DD0}, 3.3 V to V_{DD1}, the 1-bit D/A converter 5 V to AUV_{DD}, the logic PLL 3.3 V to PLL1V_{DD}, the VCEC PLL 3.3 V to PLL2V_{DD}, the slice level 3.3 V to AV_{DD}, the servo system 5 V to SV_{DD}, and the DRAM 5 V to V_{DD0}.

V_{SS} is the logic system ground, AUV_{SS} is the 1-bit D/A converter ground, V_{SS1} is the IDE interface driver ground, PLL1V_{SS} is the logic PLL ground, PLL2V_{SS} is the VCEC PLL ground, AV_{SS} is the slice level ground, SV_{SS} is the servo system ground, and V_{SSD} is the DRAM ground.

- Specifications of any and all SANYO products described or contained herein stipulate the performance, characteristics, and functions of the described products in the independent state, and are not guarantees of the performance, characteristics, and functions of the described products as mounted in the customer's products or equipment. To verify symptoms and states that cannot be evaluated in an independent device, the customer should always evaluate and test devices mounted in the customer's products or equipment.
- SANYO Electric Co., Ltd. strives to supply high-quality high-reliability products. However, any and all semiconductor products fail with some probability. It is possible that these probabilistic failures could give rise to accidents or events that could endanger human lives, that could give rise to smoke or fire, or that could cause damage to other property. When designing equipment, adopt safety measures so that these kinds of accidents or events cannot occur. Such measures include but are not limited to protective circuits and error prevention circuits for safe design, redundant design, and structural design.
- In the event that any or all SANYO products (including technical data, services) described or contained herein are controlled under any of applicable local export control laws and regulations, such products must not be exported without obtaining the export license from the authorities concerned in accordance with the above law.
- No part of this publication may be reproduced or transmitted in any form or by any means, electronic or mechanical, including photocopying and recording, or any information storage or retrieval system, or otherwise, without the prior written permission of SANYO Electric Co., Ltd.
- Any and all information described or contained herein are subject to change without notice due to product/technology improvement, etc. When designing equipment, refer to the "Delivery Specification" for the SANYO product that you intend to use.
- Information (including circuit diagrams and circuit parameters) herein is for example only; it is not guaranteed for volume production. SANYO believes information herein is accurate and reliable, but no guarantees are made or implied regarding its use or any infringements of intellectual property rights or other rights of third parties.

This catalog provides information as of January, 2000. Specifications and information herein are subject to change without notice.