

PROTECTION PRODUCTS

Description

The SLV series of transient voltage suppressors are designed to protect low voltage semiconductor components which are connected to data and transmission lines from transients caused by electrostatic discharge (ESD), lightning and other induced voltage surges. The devices are constructed using Semtech's proprietary EPD process technology. The EPD process provides low standoff voltages with significant reductions in leakage currents and capacitance over silicon avalanche diode processes. The SLV series is specifically designed for protecting low voltage components such as microprocessors, ASICs, I/O transceivers, and high speed RAM. They provide ESD and latch-up protection for power and I/O ports, microprocessor bus interfaces, high speed data and video transmission lines, and low power portable and wireless systems. The SLV series TVS diodes will meet the surge requirements of IEC 61000-4-2, Level 4, "Human Body Model" for air and contact discharge. The low clamping voltage of the SLV minimizes the stress on the protected transceiver. The SO-8 package allows flexibility in the design of "crowded" circuit boards.

Features

- ◆ 300 watts peak pulse power ($t_p = 8/20\mu s$)
- ◆ Transient protection for data lines to **IEC 61000-4-2 (ESD) 15kV (air), 8kV (contact)**
IEC 61000-4-4 (EFT) 40A (5/50ns)
IEC 61000-4-5 (Lightning) 12A (1.2/50 μs)
- ◆ Protects up to four bidirectional lines
- ◆ Working Voltages: 2.8V & 3.3V
- ◆ Low leakage current for low power applications
- ◆ Low operating voltage ideal for latch-up protection
- ◆ Low capacitance
- ◆ Low clamping voltage
- ◆ Solid-state EPD TVS technology

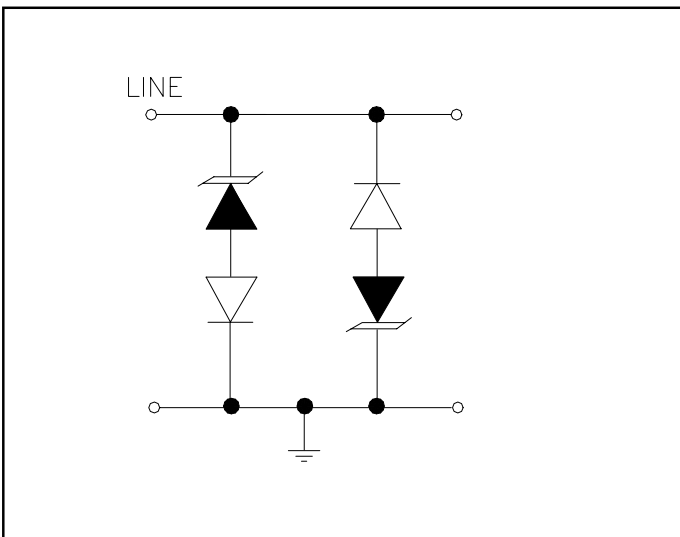
Mechanical Characteristics

- ◆ JEDEC SO-8 package
- ◆ Molding compound flammability rating: UL 94V-0
- ◆ Marking : Part number, date code, logo
- ◆ Packaging : Tape and Reel per EIA 481

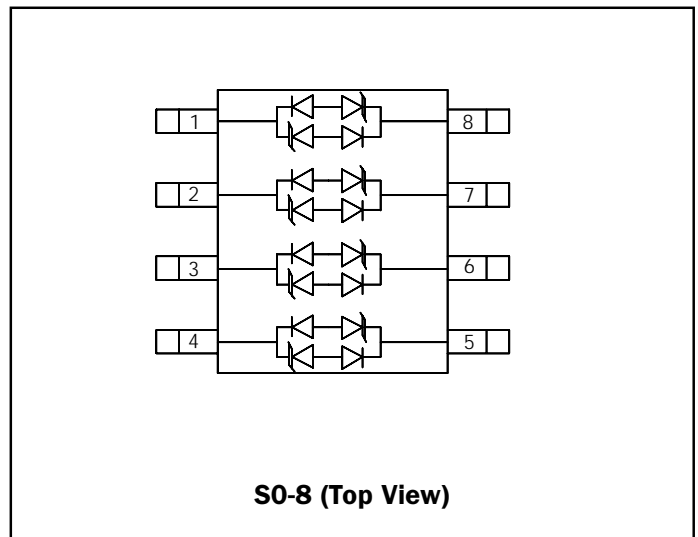
Applications

- ◆ ESD and Latch-Up Protection
- ◆ Analog Inputs
- ◆ WAN/LAN Equipment
- ◆ Low Voltage ASICs
- ◆ Instrumentation
- ◆ Low Power Systems

Circuit Diagram (Each Line)



Schematic & PIN Configuration



PROTECTION PRODUCTS
Absolute Maximum Rating

Rating	Symbol	Value	Units
Peak Pulse Power (tp = 8/20μs)	P _{pk}	300	Watts
Peak Pulse Current (tp = 8/20μs)	I _{pp}	24	A
Lead Soldering Temperature	T _L	260 (10 sec.)	°C
Operating Temperature	T _J	-55 to +125	°C
Storage Temperature	T _{STG}	-55 to +150	°C

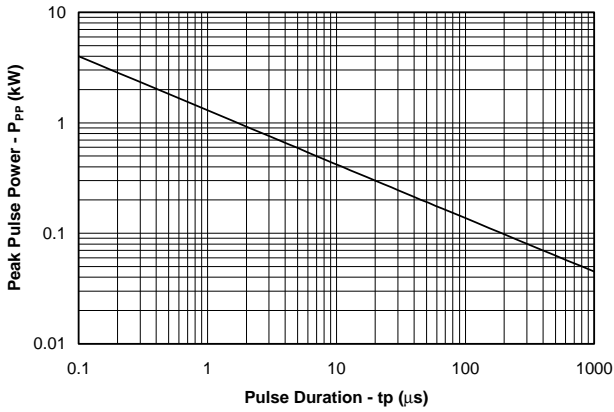
Electrical Characteristics

SLVDA2.8						
Parameter	Symbol	Conditions	Minimum	Typical	Maximum	Units
Reverse Stand-Off Voltage	V _{RWM}				2.8	V
Punch-Through Voltage	V _{PT}	I _{PT} = 2μA	3.0			V
Snap-Back Voltage	V _{SB}	I _{SB} = 50mA	2.8			V
Reverse Leakage Current	I _R	V _{RWM} = 2.8V, T=25°C			1	μA
Clamping Voltage	V _C	I _{pp} = 1A, tp = 8/20μs			4.1	V
Clamping Voltage	V _C	I _{pp} = 5A, tp = 8/20μs			5.3	V
Maximum Peak Pulse Current	I _{pp}	tp = 8/20μs			24	A
Junction Capacitance	C _j	Between I/O Pins and Gnd V _R = 0V, f = 1MHz			100	pF

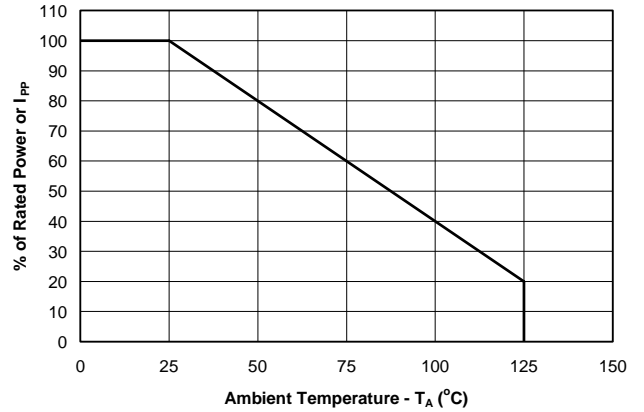
PROTECTION PRODUCTS

Typical Characteristics

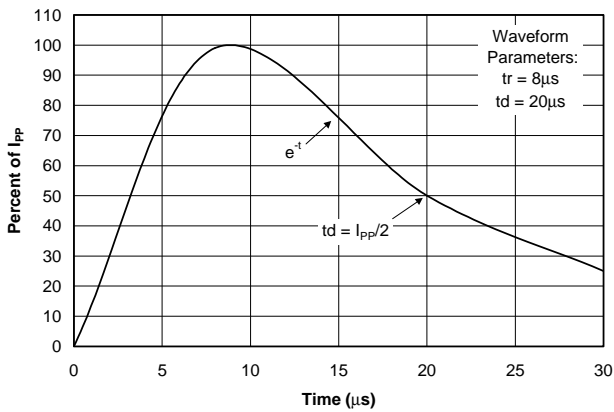
Non-Repetitive Peak Pulse Power vs. Pulse Time



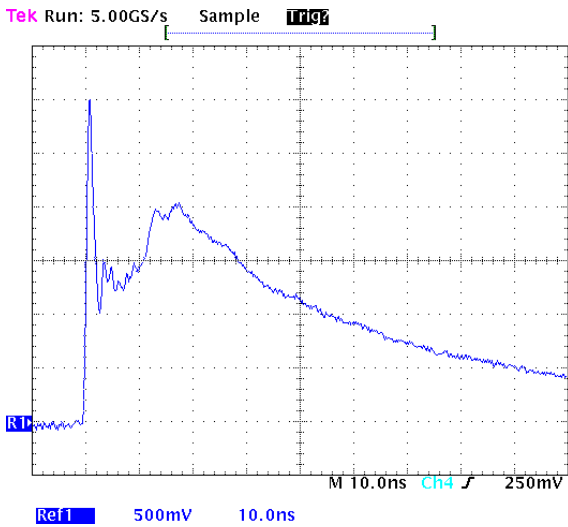
Power Derating Curve



Pulse Waveform



ESD Pulse Waveform (IEC 61000-4-2)



IEC 61000-4-2 Discharge Parameters

Level	First Peak Current (A)	Peak Current at 30 ns (A)	Peak Current at 60 ns (A)	Test Voltage (Contact Discharge) (kV)	Test Voltage (Air Discharge) (kV)
1	7.5	4	8	2	2
2	15	8	4	4	4
3	22.5	12	6	6	8
4	30	16	8	8	15

PROTECTION PRODUCTS

Applications Information

Device Connection for Protection of Four Data Lines

The SLVDA series devices are designed to protect up to four data lines. The devices are connected as follows:

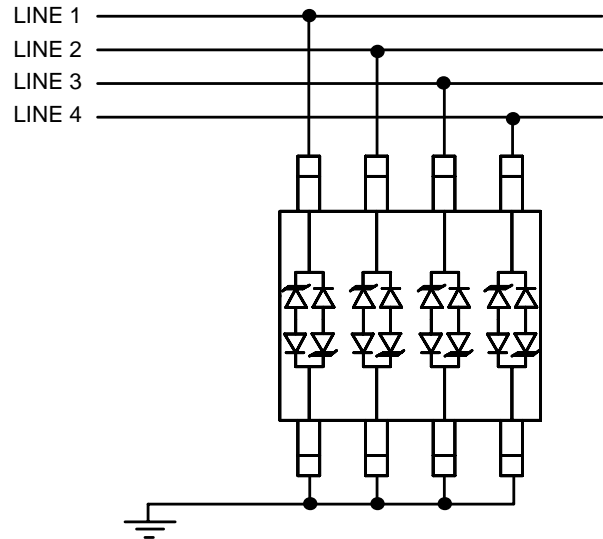
- Common mode protection of four data lines is achieved by connecting data lines at pins 1 - 4. Pins 5 - 8 are connected to ground (Device is symmetrical so connections may be reversed to serve a specific application). The ground connections should be made directly to the ground plane for best results. The path length is kept as short as possible to reduce the effects of parasitic inductance in the board traces.
- Protecting 5V lines: The designer may take advantage of the superior reverse leakage and capacitance characteristics of the SLVDA2.8 to protect two 5V lines. This is achieved by connecting two lines of the device in series as shown. The series connection is made by shorting pins 5 & 6 together for the first line and pins 7 & 8 for the second line. Pins 1 & 4 are connected to the lines that are to be protected. Pins 2 & 3 are connected to ground. See application note SI96-14 for additional details.

Circuit Board Layout Recommendations for Suppression of ESD.

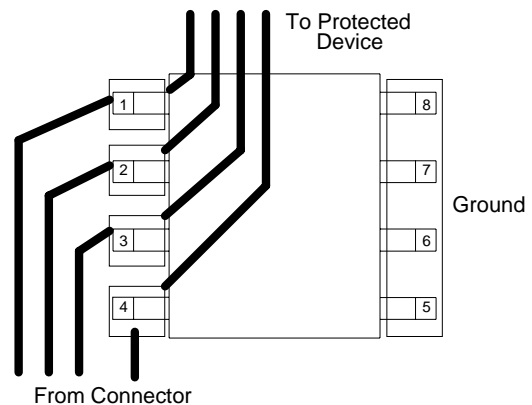
Good circuit board layout is critical for the suppression of ESD induced transients. The following guidelines are recommended:

- Place the TVS near the input terminals or connectors to restrict transient coupling.
- Minimize the path length between the TVS and the protected line.
- Minimize all conductive loops including power and ground loops.
- The ESD transient return path to ground should be kept as short as possible.
- Never run critical signals near board edges.
- Use ground planes whenever possible.

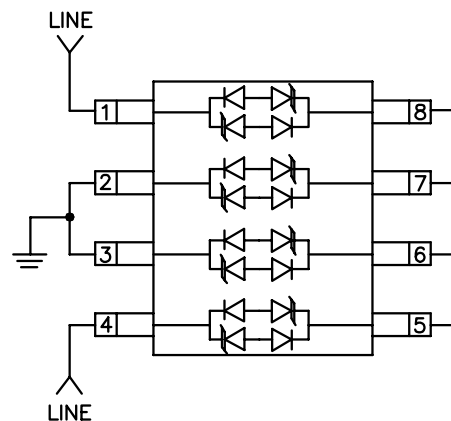
I/O Line Protection



Typical Connection

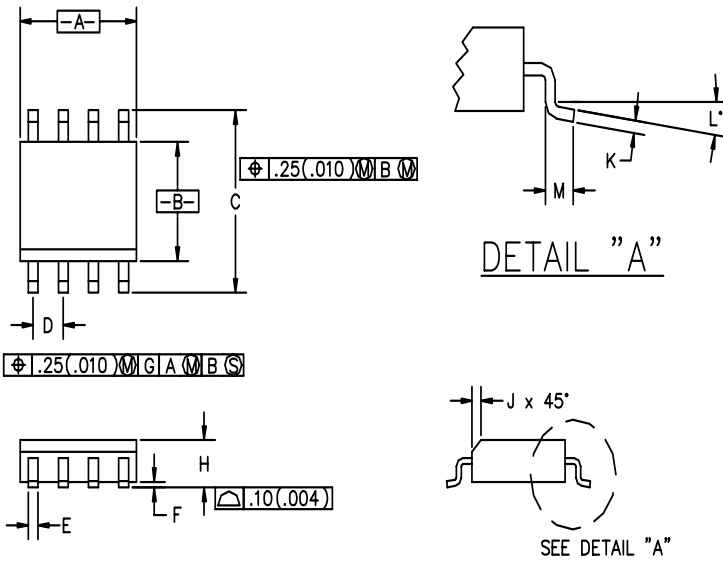


Optional Connection for Protecting 5V Lines



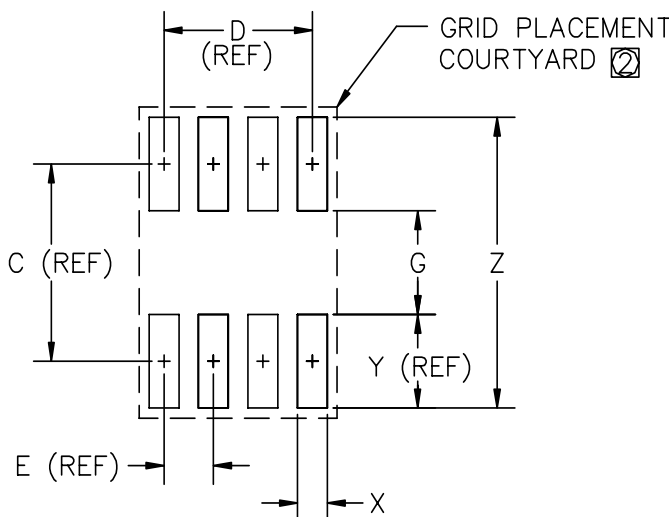
PROTECTION PRODUCTS

Outline Drawing - S0-8



DIM ^N	INCHES		MM		NOTE
	MIN	MAX	MIN	MAX	
A	.188	.197	4.80	5.00	
B	.149	.158	3.80	4.00	
C	.228	.244	5.80	6.20	
D	.050	BSC	1.27	BSC	
E	.013	.020	0.33	0.51	
F	.004	.010	0.10	0.25	
H	.053	.069	1.35	1.75	
J	.011	.019	0.28	0.48	
K	.007	.010	.19	.25	
L	0°	8°	0°	8°	
M	.016	.050	0.40	1.27	

Land Pattern - S0-8



DIM ^N	INCHES		MM		NOTE
	MIN	MAX	MIN	MAX	
C	-	.19	-	5.00	-
D	-	.15	-	3.81	-
E	-	.05	-	1.27	-
G	.10	.11	2.60	2.80	-
X	.02	.03	.60	.80	-
Y	-	.09	-	2.40	-
Z	-	.29	7.20	7.40	-

② GRID PLACEMENT COURTYARD IS 12x16 ELEMENTS (6 mm X 8mm) IN ACCORDANCE WITH THE INTERNATIONAL GRID DETAILED IN IEC PUBLICATION 97.

① CONTROLLING DIMENSION: MILLIMETERS

PROTECTION PRODUCTS**Ordering Information**

Part Number	Working Voltage	Qty per Reel	Reel Size
SLVDA2.8.TC	2.8V	500	7 Inch

Note: Consult factory for availability of 13" reels

Contact Information

Semtech Corporation
Protection Products Division
652 Mitchell Rd., Newbury Park, CA 91320
Phone: (805)498-2111 FAX (805)498-3804