

## LT1E77A

## Chip LED Device

### High-luminosity, Super Compact Chip LED Device

#### General Description

Sharp's **LT1E77A**(high-luminosity, yellow-green) is thin type super compact size chip LED device.(1.6 x 0.8 x 0.5mm) It is suitable for backlight of portable equipment such as cellular phone and pager etc.

#### Features

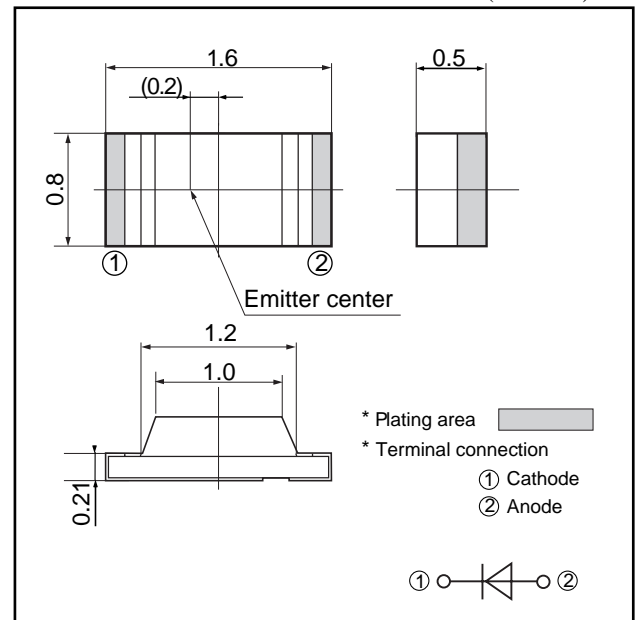
- (1) Thin type( Thickness: 0.5mm)
- (2) Super compact size(1.6 x 0.8 x 0.5mm)
- (3) Realizes high-luminosity due to originally developed PWB with reflector
- (4) Tape packaged product( 5 000pcs./reel)

#### Applications

- (1) Cellular phones
- (2) Pagers
- (3) Other portable equipment
- (4) Various compact equipment that requires high-density mounting

#### Outline Dimensions

(Unit:mm)



#### Absolute Maximum Ratings

(Ta=25°C)

Parameter	Symbol	Rating	Unit
Power dissipation	P	84	mW
Forward current	I <sub>F</sub>	30	mA
*1 Peak forward current	I <sub>FM</sub>	50	mA
Derating factor	DC	0.40	mA/°C
	Pulse	0.67	
Reverse voltage	V <sub>R</sub>	5.0	V
Operating temperature	T <sub>opr</sub>	- 30 to +85	°C
Storage temperature	T <sub>stg</sub>	- 30 to +100	°C

\*1 Duty ratio=1/10  
 Pulse width=0.1ms

#### Electro-optical Characteristics

(Ta=25°C)

Parameter	Symbol	Condition	Rating	Unit
Forward voltage	V <sub>F</sub>	I <sub>F</sub> =20mA	2.1	V
*2 Luminous intensity	I <sub>V</sub>		(23)	mcd
Peak emission wavelength	λ <sub>P</sub>		565	nm
Spectrum radiation bandwidth	Δλ		30	nm
Reverse current	I <sub>R</sub>	V <sub>R</sub> =4V	MAX.10	μA
Terminal capacitance	C <sub>t</sub>	V=0V, f=1MHz	35	pF

\*2 Measured by Sharp by EG & G MODEL550 (RADIOMETER/PHOTOMETER SYSTEM)

(Notice) • In the absence of device specification sheets, SHARP takes no responsibility for any defects that may occur in equipment using any SHARP devices shown in catalogs, data books, etc. Contact SHARP in order to obtain the latest device specification sheets before using any SHARP device.

• Specifications are subject to change without notice for improvement.

(Internet) • Data for Sharp's optoelectronic/power devices is provided for internet. ( Address <http://www.sharp.co.jp/ecg/>)