

E225x and E235x Series PAL Format Electronic Television Modulators

FEATURES

- Power supply: 5 V
- Small Size: 44 mm × 44 mm × 17 mm
- Common Footprint
- Common Electrical Interface
- Standard pin-pitch between models
- I²C bus serial PLL control
- Same input connector locations between models
- Reduced component count
- High level of integration E2258T2 meets CENELEC emissions requirements

DESCRIPTION

The E225x and E235x Series Modulators are new PAL format modulators with the output frequency set by a PLL.

These modulators provide direct Phase-Locked Loop tuning instead of the previous screwdriver setting, providing software flexibility over output channel control. The output may be tuned over the PAL channel range of 21 ~ 69.

These two new modulator series retain the common modulator mechanical footprint of previous designs. A variety of versions and options are available, as shown in the table.

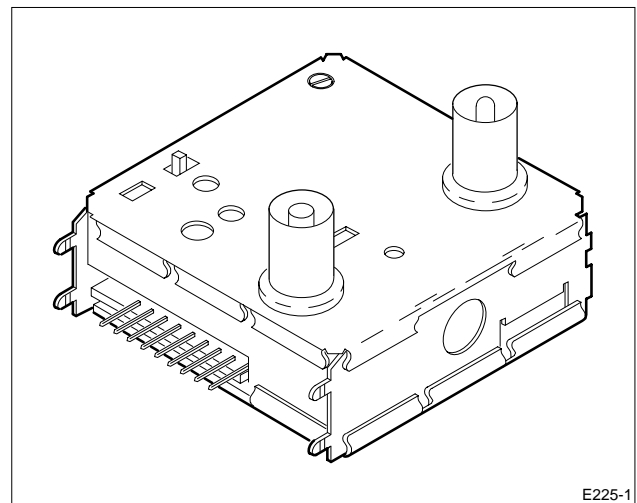
The PLL programming is provided by an I²C serial bus interface. Modulation factors of 100% and 55% are available.

Test and evaluation software is available upon request for programming the E225X and E235X modulator models.

APPLICATIONS:

- Television/VCR
- Satellite receivers
- Multi-media adapters
- Video signal converters

E2258T2 PACKAGE



PROGRAMMABLE OPTIONS

- Output frequency
- Test Signal Generator (TSG) On/Off
- Test Modes On/Off
- Inter-carrier spacing for output Mode – G/I/K (E2354T)
- Audio carrier level: -10 to -17 dB with respect to the Video carrier (E2354T)

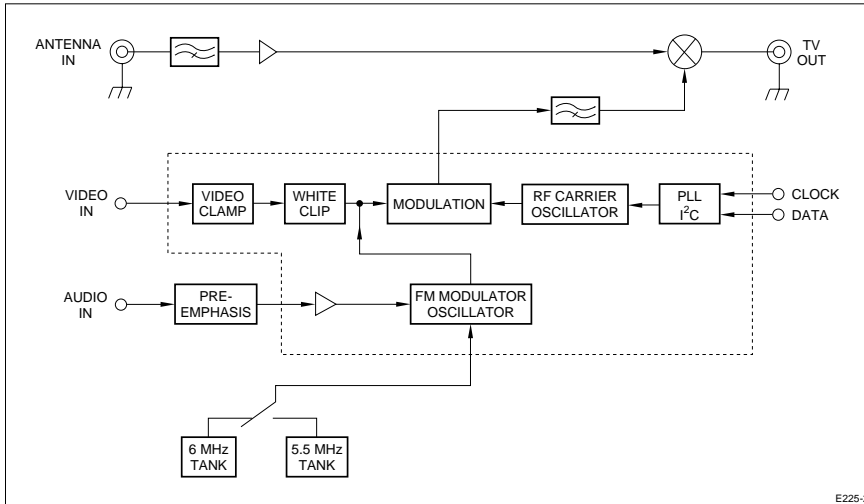
SELECTION GUIDE

MODEL	PAL FORMAT	MODULATION FACTOR	PLL SETS
E2251T	G	100%	Channel, TSG, RF On/Off
E2251TA	G	55%	Channel, TSG, RF On/Off
E2258TA	G/I	55%	Channel, TSG, RF On/Off
E2258T2	G/I	55%	Channel, TSG, RF On/Off
E2354T	G/I/K	100%	Channel, TSG, Format, Power Save On/Off, Video/Audio Ratio
E2358T	G/I	100%	Channel, TSG, RF On/Off

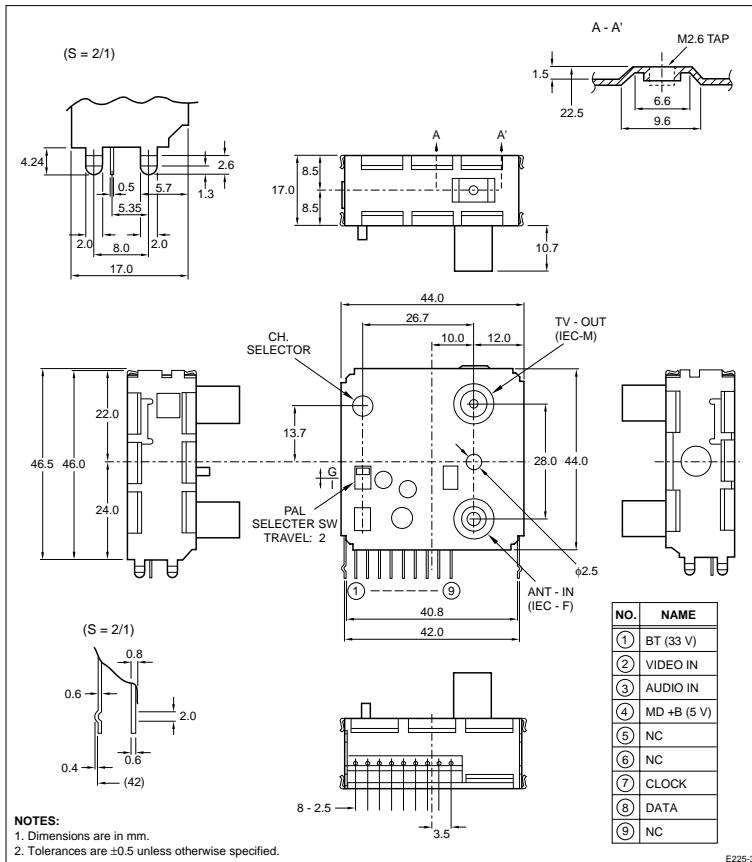
PRODUCT INFORMATION

SHARP

BASIC BLOCK DIAGRAM



MECHANICAL DIMENSIONS



Sharp Electronics Corporation Regional Sales Offices

North American Headquarters

Camas, WA
 Ph (360) 834-2500
 Fax (360) 834-8903

West

Irvine, CA
 Ph (714) 250-0225
 Fax (714) 250-0438
 San Jose, CA
 Ph (408) 436-4900
 Fax (408) 436-0924

Central

Romeoville, IL
 Ph (708) 226-2400
 Fax (708) 759-8572
 Auburn Hills, MI
 Ph (810) 377-9220
 Fax (810) 377-9222

Austin, TX
 Ph (512) 349-7262
 Fax (512) 349-7002

DFW Airport, TX
 Ph (214) 574-5205
 Fax (214) 456-0360

Houston, TX
 Ph (713) 955-9909
 Fax (713) 955-9910

East

Burlington, MA
 Ph (617) 270-7979
 Fax (617) 229-9117

Annadale, NJ
 Ph (908) 713-0505
 Fax (908) 713-0566

Durham, NC
 Ph (919) 941-0065
 Fax (919) 941-0066

Distributors

Future Electronics

Canada
 Ph (514) 694-7710
 Fax (514) 695-3707

Marshall Industries

El Monte, CA
 Ph (800) 522-0084
 Fax (818) 307-6173
 URL <http://www.marshall.com>

Milgray

Farmindale, NY
 Ph (800) MILGRAY (645-4729)
 Fax (516) 293-6465

Reptron

Tampa, FL
 Ph (800) 659-1361
 Fax (813) 854-2351

Sterling Electronics Corp.

Houston, TX
 Ph (800) 745-5500
 Fax (713) 629-3939

SHARP
 FROM SHARP MINDS
 COME SHARP PRODUCTS™

FastFax Service: 1-800-833-9437
 Product Information: 1-800-642-0261
 World Wide Web Site: <http://www.sharpmeg.com>