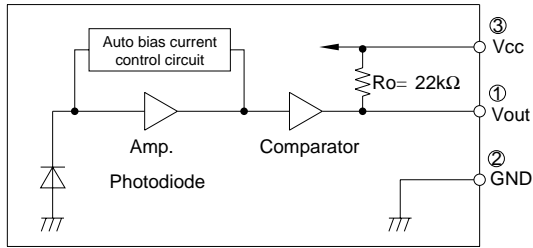
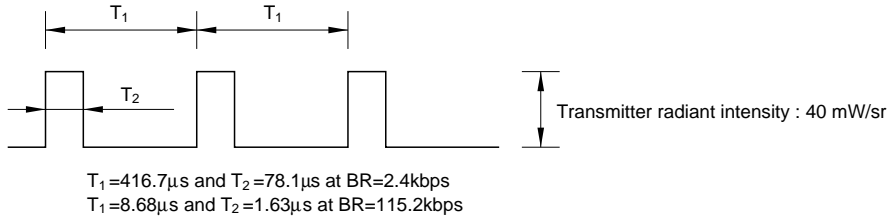


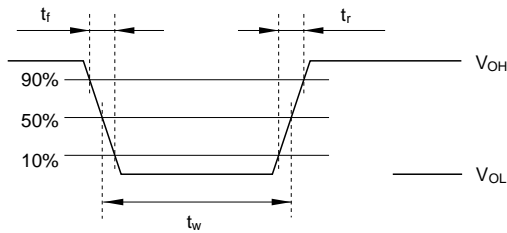
■ Circuit Block Diagram



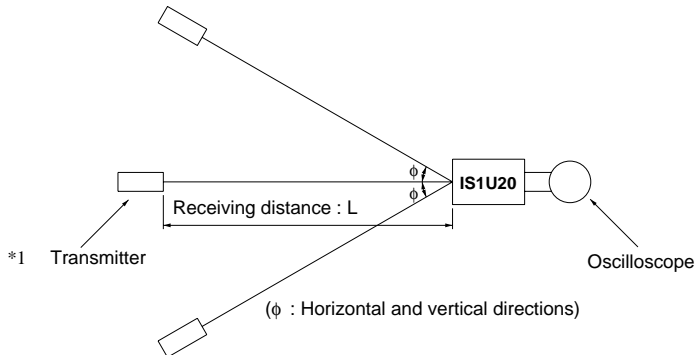
*3 Input signal waveform



*4 Output waveform regulation

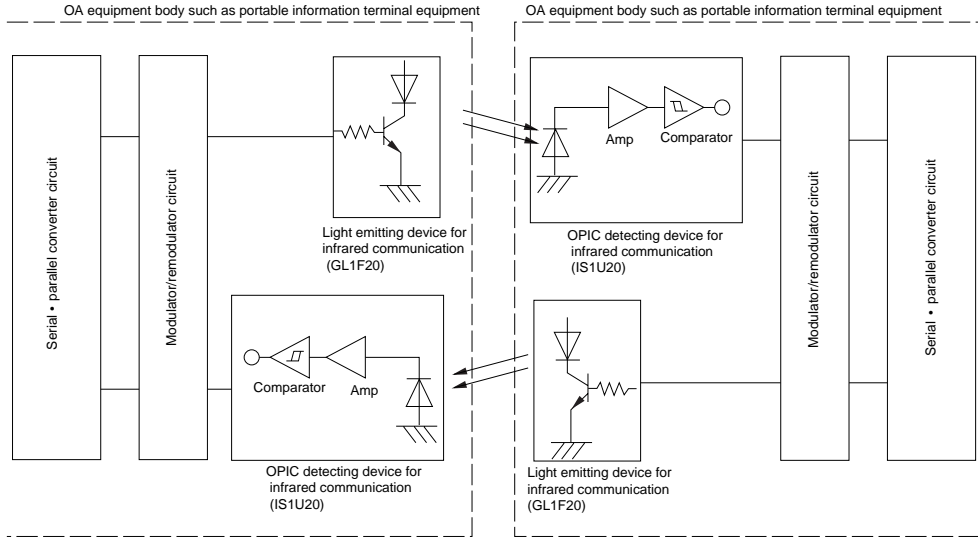


*5 Optical system



*1 Transmitter shall use the light emitting diode **GL550** ($\lambda_p=850$ to 900 nm) and be adjusted to the radiant intensity of 40mW/sr .

■ Infrared Communication Terminal System Configuration Using GL1F20/IS1U20



■ General Descriptions of Standard Specifications (IrDA1.0)

- Transmission rate : 2.4k to 115.2kbps
- Modulation system : SIR
- Receiving distance : 1 m
- Transmitting wavelength : 850 to 900 nm
- Receiving waveform : As shown in the right drawing
- Output waveform : As shown in the right drawing

