

# BSFH77G04 Satellite Tuner

## FEATURES

- Digital AFT out
- Standup Package
- AGC sample out
- Internal tuning via PLL
- Compact, lightweight design (22 cc)

## DESCRIPTION

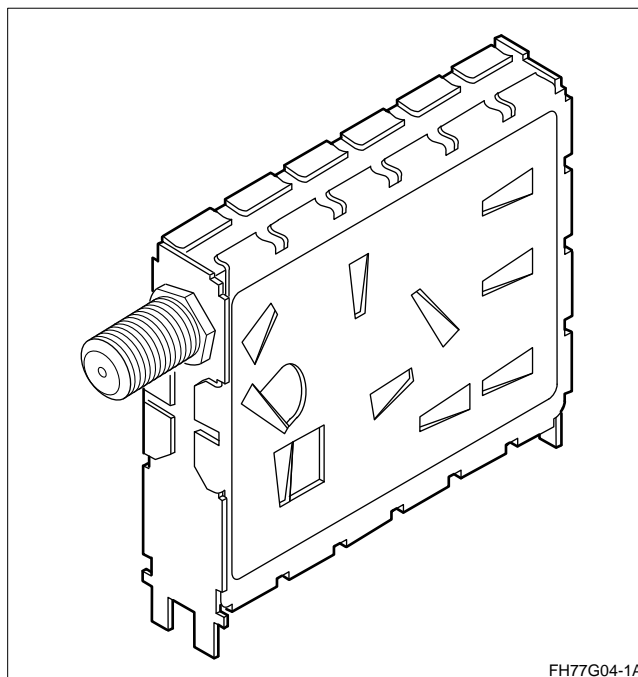
The BSFH77G04 is an integrated single conversion tuner and FM demodulator. It was designed for the reception of analog signals. It has a single input and a combined video and audio output. The input frequency range is 920 to 2,050 MHz. A 27 MHz bandpass filter is positioned at the first IF. A digital AFT output is provided for evaluation of receiver system accuracy.

This tuner can be controlled by an internal LC7215 three wire PLL and a 1/256 prescaler.

For more information on this product, please contact your local Sharp representative.

## APPLICATIONS:

- Satellite receiver
- Data receiver
- Wide-band front end



FH77G04-1A

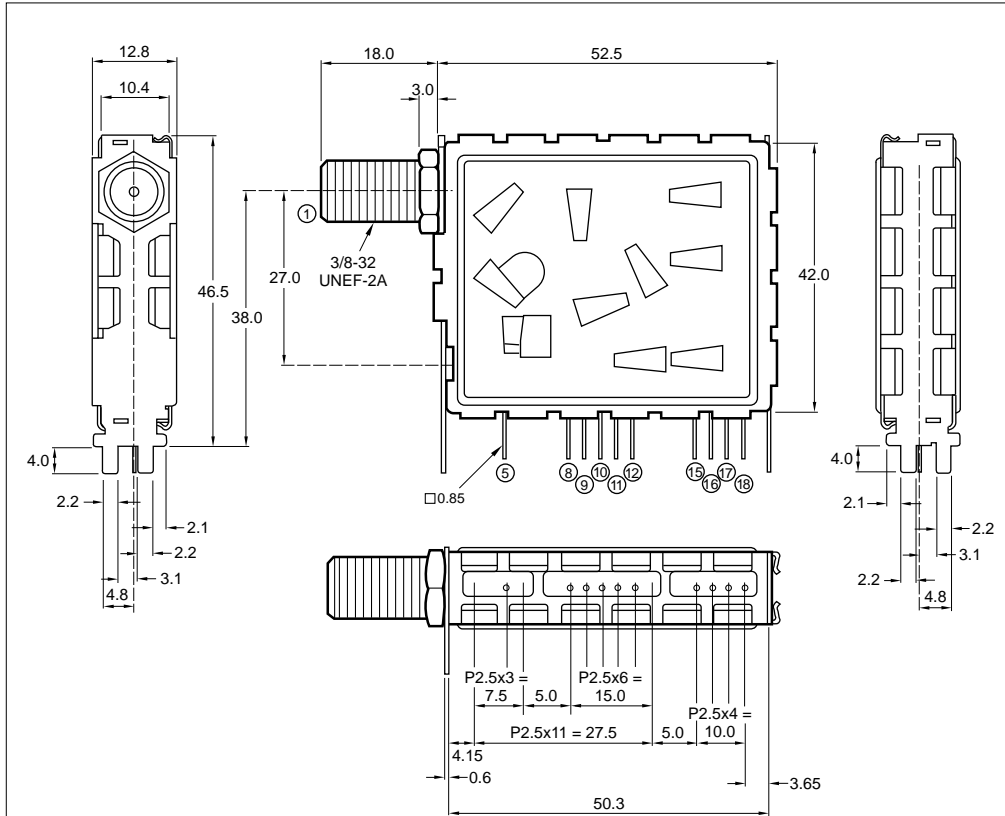
## SPECIFICATIONS

Receiving Frequency Range	920 to 2,050 MHz
Input Level	-60 to -30 dBm
Input Impedance	75 $\Omega$
Intermediate Frequency	479.5 MHz
Channel Selection System	Frequency Synthesizer with LC7215 (Clock: 11.16 MHz)
Operating Supply Voltage	5 $\pm$ 0.3 V
Operating ODU Voltage	25 V
Operating Tuning Voltage	28 $\pm$ 0.5 V
IF Bandwidth	27 MHz
Demodulation System	PLL
Input Structure	F type female
Prescaler Division Ratio	1/256

# PRODUCT INFORMATION

# SHARP

## BSFH77G04 MECHANICAL DIMENSIONS



NO.	NAME	I/O	VOLT (V)	NOTE
1	RF IN	I		
2				
3				
4				
5	B1(LNB)	I		TO LNB
6				
7				
8	AFT OUT 1	O		DIGITAL AFT
9	AFT OUT 2	O		DIGITAL AFT
10	AGC	O		AGC OUT
11	B2	I	+5	
12	BASE BAND	O		BB OUT
13				
14				
15	TUN	I	+28	
16	ENABLE	I		
17	CLOCK	I		
18	DATA	I		

NOTE: Dimensions are in mm.

FH77G04-2A

## Sharp Electronics Corporation Regional Sales Offices

### North American Headquarters

Camas, WA  
Ph (360) 834-2500  
Fax (360) 834-8903

### West

Irvine, CA  
Ph (714) 250-0225  
Fax (714) 250-0438

San Jose, CA  
Ph (408) 436-4900  
Fax (408) 436-0924

### Central

Romeoville, IL  
Ph (708) 226-2400  
Fax (708) 759-8572

Auburn Hills, MI  
Ph (810) 377-9220  
Fax (810) 377-9222

Austin, TX  
Ph (512) 349-7262  
Fax (512) 349-7002

DFW Airport, TX  
Ph (214) 574-5205  
Fax (214) 456-0360

Houston, TX  
Ph (713) 955-9909  
Fax (713) 955-9910

### East

Burlington, MA  
Ph (617) 270-7979  
Fax (617) 229-9117

Annandale, NJ  
Ph (908) 713-0505  
Fax (908) 713-0566

Durham, NC  
Ph (919) 941-0065  
Fax (919) 941-0066

## Distributors

### Future Electronics

Canada  
Ph (514) 694-7710  
Fax (514) 695-3707

### Marshall Industries

El Monte, CA  
Ph (800) 522-0084  
Fax (818) 307-6173  
URL <http://www.marshall.com>

### Milgray

Farmingdale, NY  
Ph (800) MILGRAY (645-4729)  
Fax (516) 293-6465

### Reptron

Tampa, FL  
Ph (800) 659-1361  
Fax (813) 854-2351

### Sterling Electronics Corp.

Houston, TX  
Ph (800) 745-5500  
Fax (713) 629-3939

FastFax Service: 1-800-833-9437

Product Information: 1-800-642-0261

World Wide Web Site: <http://www.sharpmeg.com>

**SHARP**  
FROM SHARP MINDS  
COME SHARP PRODUCTS™