

BSEJ78G07

Satellite Tuner

FEATURES

- Low Threshold
- Digital AFT out
- Standup Package
- AGC sample out
- Compact, lightweight design (22 cc)
- Electronic tuning with frequency synthesizer

DESCRIPTION

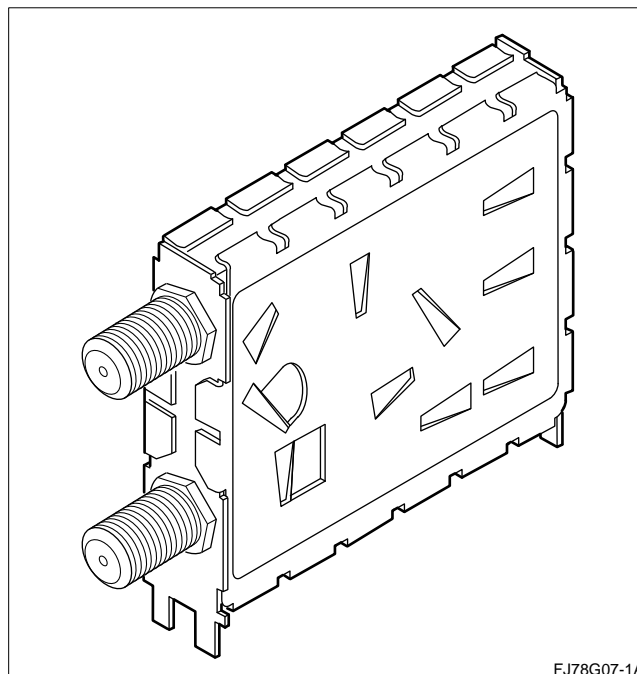
The BSEJ78G07 is an integrated single conversion tuner and FM demodulator. It was designed for the reception of analog signals. It has dual input and a combined video and audio output. The input frequency range is 900 to 2,150 MHz. A 27/18 MHz switchable bandpass filter is positioned at the first IF. Bandwidth selection is made by applying an external voltage via an external pin. A digital AFT output is provided for evaluation of receiver system accuracy.

This tuner can be controlled by an external three wire PLL interface. A 1/256 prescaler is internal to this tuner and provides the ability to interface with the PLL.

For more information on this product, please contact your local Sharp representative.

APPLICATIONS:

- Satellite receiver
- Data receiver
- Wide-band front end



FJ78G07-1A

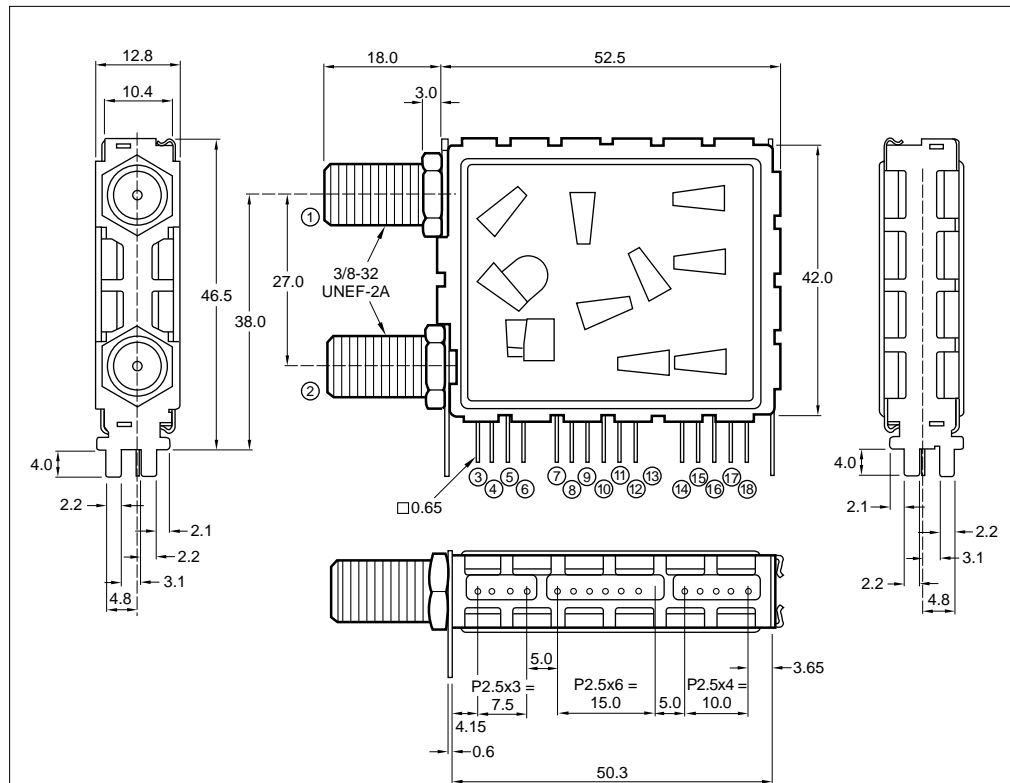
SPECIFICATIONS

Receiving Frequency Range	900 to 2,150 MHz
Input Level	-60 to -30 dBm
Input Impedance	75 Ω
Intermediate Frequency	479.5 MHz
Channel Selection System	Electronic tuning for frequency synthesizer
Operating Supply Voltage	5 ±0.3 V
Operating ODU Voltage	25 V
Operating Tuning Voltage	0.4 to 30 V
IF Bandwidth	27/18 MHz
Demodulation System	PLL
Input Structure	F type female
Prescaler Division Ratio	256

PRODUCT INFORMATION

SHARP

BSFJ78G07 MECHANICAL DIMENSIONS



NO.	NAME	I/O	VOLT (V)	NOTE
1	RF INPUT A	I		
2	RF INPUT B	I		
3	B1A	I		TO LNB
4	SWA	I	5/0	
5	B1B	I		TO LNB
6	SWB	I	5/0	
7	LT	I	0-5	
8	AFT OUTPUT (AFT 1)	O		DIGITAL AFT
9	AFT OUTPUT (AFT 2)	O		DIGITAL AFT
10	AGC	O		AGC OUT
11	B2	I	+5	
12	BASE BAND	O		BB OUT
13				
14	BW	I		
15	TUN	I	0.4 ~ 30	
16	GND			
17	GND			
18	PSC	O		PSC OUT

NOTE: Dimensions are in mm.

FJ78G07-2A

Sharp Electronics Corporation Regional Sales Offices

North American Headquarters

Camas, WA
Ph (360) 834-2500
Fax (360) 834-8903

West

Irvine, CA
Ph (714) 250-0225
Fax (714) 250-0438

San Jose, CA
Ph (408) 436-4900
Fax (408) 436-0924

Central

Romeoville, IL
Ph (708) 226-2400
Fax (708) 759-8572

Auburn Hills, MI
Ph (810) 377-9220
Fax (810) 377-9222

Austin, TX
Ph (512) 349-7262
Fax (512) 349-7002

DFW Airport, TX
Ph (214) 574-5205
Fax (214) 456-0360

Houston, TX
Ph (713) 955-9909
Fax (713) 955-9910

East

Burlington, MA
Ph (617) 270-7979
Fax (617) 229-9117

Annandale, NJ
Ph (908) 713-0505
Fax (908) 713-0566

Durham, NC
Ph (919) 941-0065
Fax (919) 941-0066

Distributors

Future Electronics

Canada
Ph (514) 694-7710
Fax (514) 695-3707

Marshall Industries

El Monte, CA
Ph (800) 522-0084
Fax (818) 307-6173
URL <http://www.marshall.com>

Milgray

Farmingdale, NY
Ph (800) MILGRAY (645-4729)
Fax (516) 293-6465

Reptron

Tampa, FL
Ph (800) 659-1361
Fax (813) 854-2351

Sterling Electronics Corp.

Houston, TX
Ph (800) 745-5500
Fax (713) 629-3939

FastFax Service: 1-800-833-9437

Product Information: 1-800-642-0261

World Wide Web Site: <http://www.sharpmeg.com>

SHARP
FROM SHARP MINDS
COME SHARP PRODUCTS™