

LM64P83L

Large Size Graphic Type LCD Module
(FA/POS/Measuring instruments)

Features

- 24 cm [9.4"] VGA format
- Built-in long life CCFT backlight
- Transmissive B/W display
- High contrast (18 : 1)
- Thin structure (7.0 mm) & lightweight (340 g)
- Mechanically compatible with LM64183P

Specifications

| Parameter | | Unit |
|---------------------|---------------|----------|
| Display size | 24 [9.4] | cm ["] |
| Dot format (H x V) | 640 x 480 | dot |
| Dot pitch (H x V) | 0.30 x 0.30 | mm |
| Active area (H x V) | 192.0 x 144.0 | mm |
| Panel type | *1 | - |
| Panel mode | Transmissive | - |
| Color | B/W | - |
| Contrast ratio | 18 : 1 | - |
| Response time | 350 | ms |

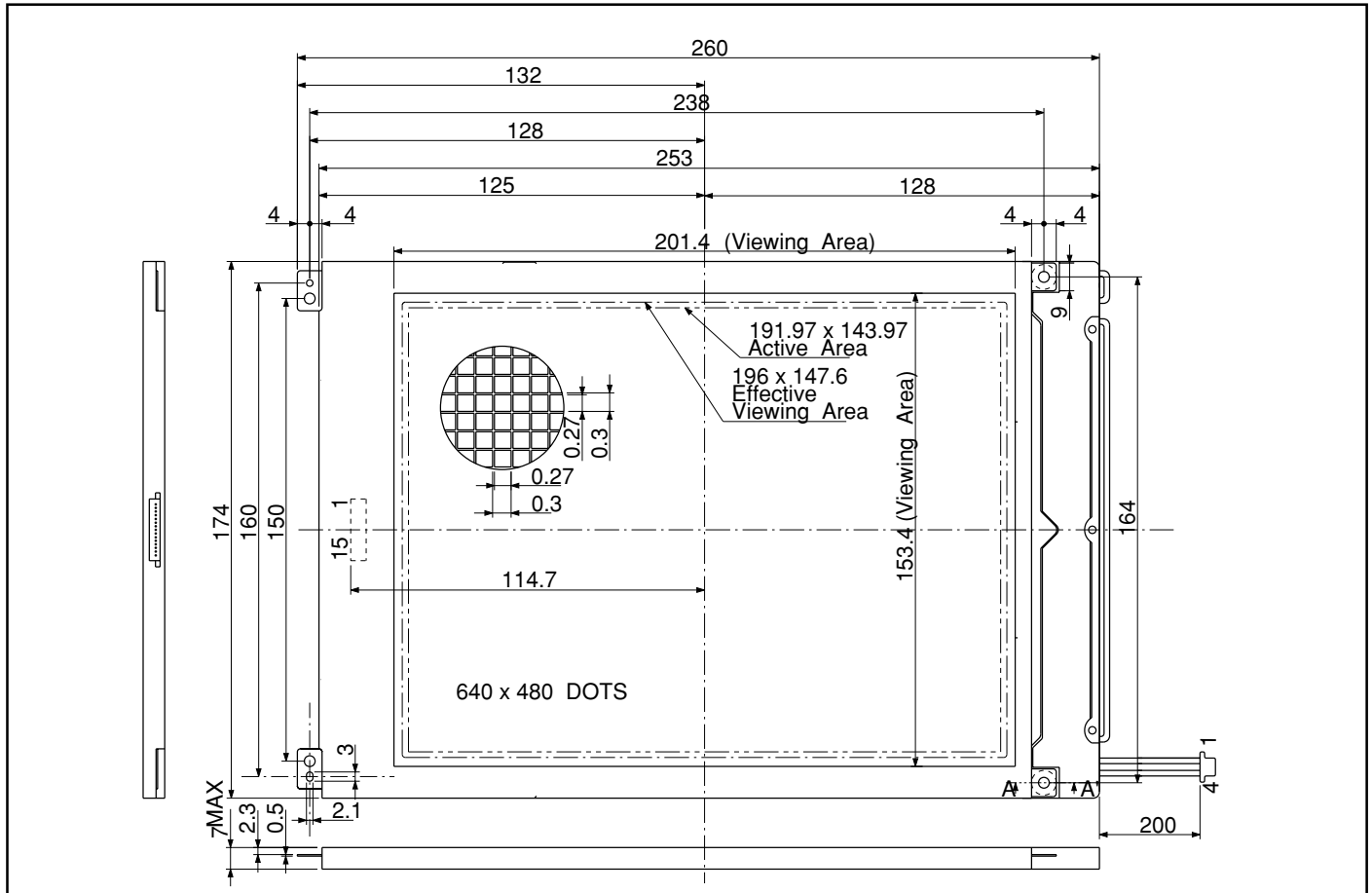
| Parameter | | Unit |
|--------------------------------|------------------------------|-------------------|
| Brightness | 65 | cd/m ² |
| Duty ratio | 1/240 | - |
| Backlight type | 1CCFT(E) | - |
| Power consumption | 2 380 | mW |
| Outline dimensions (W x H x D) | 253.0(260.0)*2 x 174.0 x 7.0 | mm |
| Weight | 340 | g |
| Operating temperature | 0 to +45 | °C |
| Storage temperature | -25 to +60 | °C |

*1...Triple Super Twisted Nematic

*2...() value ... Including mounting tabs.

Outline Dimensions

unit : mm



In the absence of confirmation by device specification sheets, SHARP takes no responsibility for any defects that may occur in using any SHARP devices shown in catalogs, data books, etc. Contact SHARP in order to obtain the latest device specification sheets before using any SHARP device. Specifications are subject to change without notice for improvement.