

LQ181E1DG01

Color TFT-LCD Module for OA/Multimedia use
(Desktop PC/Monitor)

Features

- Display size : 46 cm [18.1"], SXGA format
- High brightness
- Wide viewing angle suitable for Desktop PC/Monitor
- LVDS (Low voltage differential signaling) technology
- Super V*

*...Super View

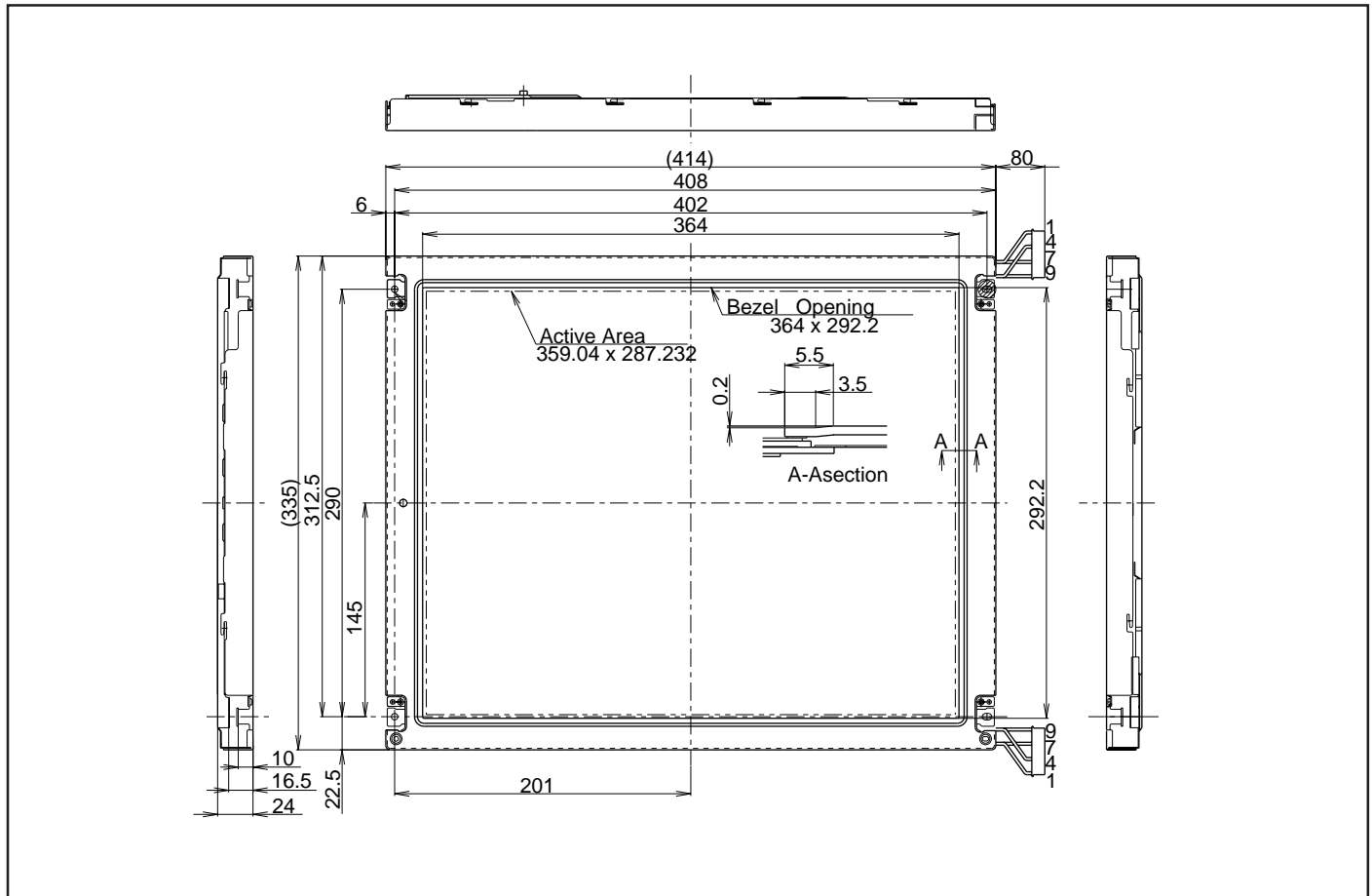
Specifications

Parameter		Unit
Display size	46 [18.1]	cm ["]
Dot format (H x V)	1280 x RGB x 1024	dot
Dot pitch (H x V)	0.0935 x 0.2805	mm
Active area (H x V)	359.0 x 287.2	mm
Color	16 Mil.	color
Input signal	8-bit Digital RGB	-
Viewing direction	6 : 00	-
Backlight type	4CCFT (E)	-

Parameter		Unit
Brightness	200	cd/m ²
Contrast ratio	300 : 1	-
Power consumption panel & backlight	25	W
Outline dimensions (W x H x D)	414.0 x 335.0 x 24.0	mm
Weight	3 520	g
Operating temperature	0 to +50	°C
Storage temperature	-25 to +60	°C

Outline Dimensions

unit : mm



NOTICE

The intended purpose of this product does not include military vehicles or civilian aircraft cockpit applications. Should any product be used in these applications no warranty or representation is made that the product is free from claims of patent infringement and no indemnification against such claims will be provided.