

LH5164AVH

CMOS 64K (8K × 8) Static RAM

FEATURES

- 8,192 × 8 bit organization
- Access time: 200 ns (MAX.)
- Supply current (MAX.):
 - Operating: 90 mW
 - 29 mW (t_{RC} , $t_{WC} = 1 \mu s$)
 - Standby: 3.6 μW (MAX.) @ 70°C
 - 10.8 μW (MAX.) @ 85°C
- Data retention:
 - 0.6 μW ($V_{CC} = 3 V$, $t_A = 25^\circ C$)
- Low voltage operation: 3.3 V $\pm 0.3 V$
- Fully-static operation
- TTL compatible I/O
- Three-state outputs
- Packages:
 - 28-pin, 450-mil SOP
 - 28-pin, 8 × 13 mm² TSOP (Type I)

DESCRIPTION

The LH5164AVH is a static RAM organized as 8,192 × 8 bits. It is fabricated using silicon-gate CMOS process technology.

PIN CONNECTIONS

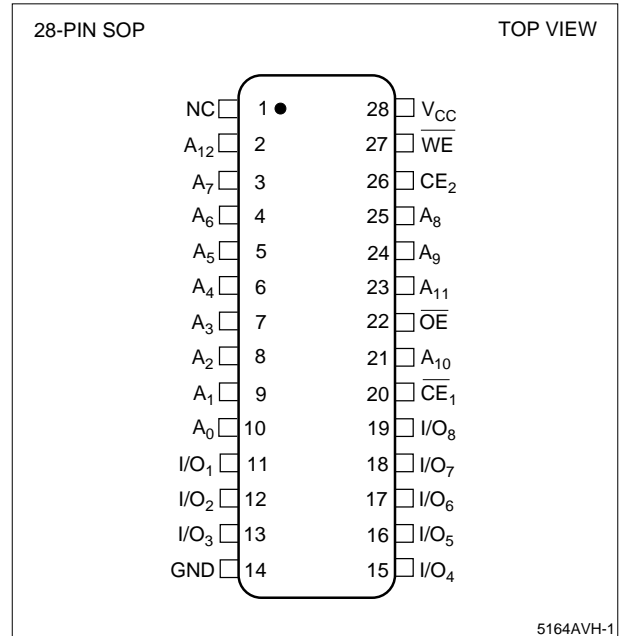


Figure 1. Pin Connections for SOP Package

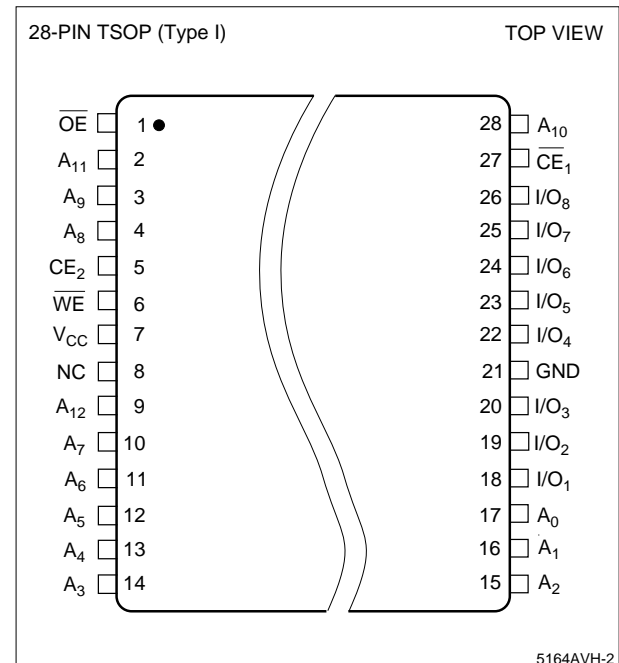


Figure 2. Pin Connections for TSOP Package

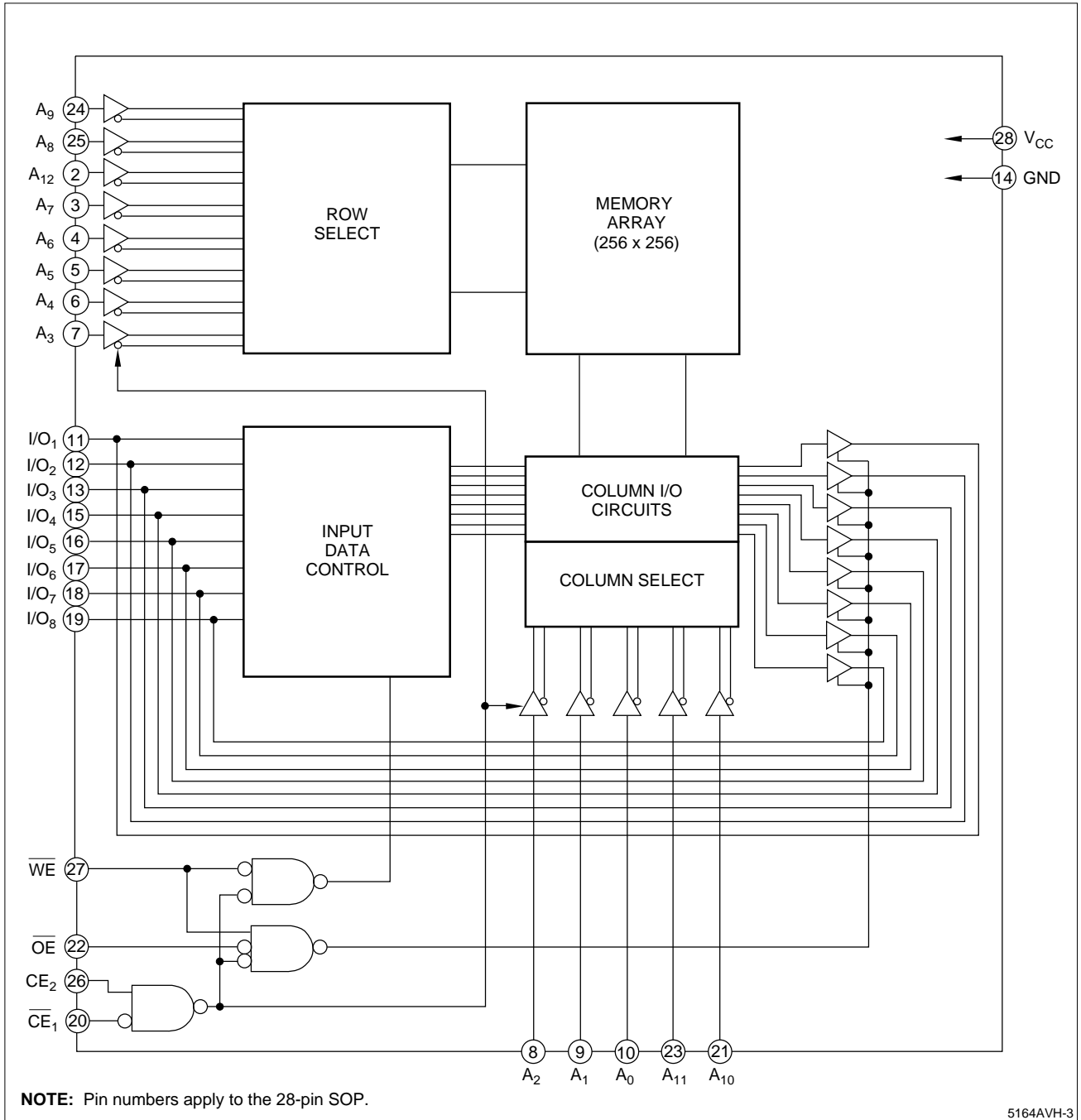


Figure 3. LH5164AVH Block Diagram

PIN DESCRIPTION

SIGNAL	PIN NAME
A ₀ - A ₁₂	Address inputs
CE ₁ /CE ₂	Chip Enable input
WE	Write Enable input
OE	Output Enable input

SIGNAL	PIN NAME
I/O ₁ - I/O ₈	Data inputs and outputs
V _{CC}	Power supply
GND	Ground
NC	No connection

TRUTH TABLE

\overline{CE}_1	CE_2	\overline{WE}	\overline{OE}	MODE	I/O ₁ - I/O ₈	SUPPLY CURRENT	NOTE
H	X	X	X	Standby	High-Z	Standby (I _{SB})	1
X	L	X	X				
L	H	L	X	Write	Data input	Operating (I _{CC})	1
L	H	H	L	Read	Data output	Operating (I _{CC})	
L	H	H	H	Output disable	High-Z	Operating (I _{CC})	

NOTE:

- X = H or L

ABSOLUTE MAXIMUM RATINGS

PARAMETER	SYMBOL	RATING	UNIT	NOTE
Supply voltage	V _{CC}	-0.3 to +7.0	V	1
Input voltage	V _{IN}	-0.3 to V _{CC} + 0.3	V	1, 2
Operating temperature	T _{opr}	-40 to +85	°C	
Storage temperature	T _{stg}	-65 to +150	°C	

NOTES:

- The maximum applicable voltage on any pin with respect to GND.
- V_{IN} (MIN.) = -3.0 V for pulse width ≤ 50 ns.

RECOMMENDED OPERATING CONDITIONS (T_A = -40°C to +85°C)

PARAMETER	SYMBOL	MIN.	TYP.	MAX.	UNIT	NOTE
Supply voltage	V _{CC}	3.0	3.3	3.6	V	
Input voltage	V _{IH}	V _{CC} - 0.5		V _{CC} + 0.3	V	
	V _{IL}	-0.3		0.2	V	1

NOTE:

- V_{IL} (MIN.) = -3.0 V for pulse width ≤ 50 ns.

DC CHARACTERISTICS¹ (T_A = -40°C to +85°C, V_{CC} = 3.3 V ± 0.3 V)

PARAMETER	SYMBOL	CONDITIONS	MIN.	MAX.	UNIT	NOTE
Input leakage current	I _{LI}	V _{IN} = 0 V to V _{CC}	-1.0	1.0	μA	
Output leakage current	I _{LO}	CE ₁ = V _{IH} or CE ₂ = V _{IL} or OE = V _{IH} or WE = V _{IL} V _{IO} = 0 to V _{CC}	-1.0	1.0	μA	
Operating supply current	I _{CC}	CE ₁ = 0.2 V, V _{IN} = 0.2 V, or V _{CC} - 0.2 V CE ₂ = V _{CC} - 0.2 V, Outputs open	t _{CYCLE} = 200 ns	25	mA	
			t _{CYCLE} = 1.0 μs	8		
Standby current	I _{SB}	CE ₂ ≤ 0.2 V or CE ₁ ≥ V _{CC} - 0.2 V		1.0	μA	1
	I _{SB1}	CE ₁ = V _{IH} or CE ₂ = V _{IL}		3.0		
Output voltage	V _{OL}	I _{OL} = 500 μA		0.4	V	
	V _{OH}	I _{OH} = -500 μA	V _{CC} - 0.5		V	

NOTE:

- CE₂ should be ≥ V_{CC} - 0.2 V or ≤ 0.2 V when CE₁ ≥ V_{CC} - 0.2 V.

READ CYCLE ($T_A = -40^\circ\text{C}$ to $+85^\circ\text{C}$, $V_{CC} = 3.3\text{ V} \pm 0.3\text{ V}$)

PARAMETER	SYMBOL	MIN.	MAX.	UNIT
Read cycle time	t_{RC}	200		ns
Address access time	t_{AA}		200	ns
\overline{CE}_1 access time	t_{ACE1}		200	ns
\overline{CE}_2 access time	t_{ACE2}		200	ns
Output enable access time	t_{OE}		150	ns
Output hold time	t_{OH}	10		ns
\overline{CE}_1 Low to output in Low-Z	t_{LZ1}	20		ns
\overline{CE}_2 High to output in Low-Z	t_{LZ2}	20		ns
OE Low to output in Low-Z	t_{OLZ}	10		ns
\overline{CE}_1 High to output in High-Z	t_{HZ1}	0	60	ns
\overline{CE}_2 Low to output in High-Z	t_{HZ2}	0	60	ns
OE High to output in High-Z	t_{OHZ}	0	40	ns

WRITE CYCLE ($T_A = -40^\circ\text{C}$ to $+85^\circ\text{C}$, $V_{CC} = 3.3\text{ V} \pm 0.3\text{ V}$)

PARAMETER	SYMBOL	MIN.	MAX.	UNIT
Write cycle time	t_{WC}	200		ns
\overline{CE} Low to end of write	t_{CW}	180		ns
Address valid to end of write	t_{AW}	180		ns
Address setup time	t_{AS}	0		ns
Write pulse width	t_{WP}	150		ns
Write recovery time	t_{WR}	0		ns
Input data setup time	t_{DW}	100		ns
Input data hold time	t_{DH}	0		ns
\overline{WE} High to output in Low-Z	t_{OW}	20		ns
\overline{WE} Low to output in High-Z	t_{WZ}	0	60	ns
OE High to output in High-Z	t_{OHZ}	0	40	ns

TEST CONDITIONS

PARAMETER	MODE	NOTE
Input pulse level	0.2 V to $V_{CC} - 0.2\text{ V}$	
Input rise/fall time	10 ns	
Input/output timing level	1.5 V	
Output load	C_L (100 pF)	1

NOTE:

1. Includes scope and jig capacitance.

CAPACITANCE ¹ ($T_A = 25^\circ\text{C}$, $f = 1\text{ MHz}$)

PARAMETER	SYMBOL	CONDITIONS	MIN.	TYP.	MAX.	UNIT
Input capacitance	C_{IN}	$V_{IN} = 0\text{ V}$			7	pF
I/O capacitance	$C_{I/O}$	$V_{I/O} = 0\text{ V}$			10	pF

NOTE:

1. This parameter is sampled and not production tested.

DATA RETENTION CHARACTERISTICS (T_A = -40°C to +85°C)

PARAMETER	SYMBOL	CONDITIONS	MIN.	MAX.	UNIT	NOTE	
Data retention supply voltage	V _{CCDR}	CE ₂ ≤ 0.2 V or CE ₁ ≥ V _{CCDR} - 0.2 V	2.0		V	1	
Data retention supply current	I _{CCDR}	V _{CCDR} = 3 V, CE ₂ ≤ 0.2 V or CE ₁ ≥ V _{CCDR} - 0.2 V	T _A = 25°C	0.2	μA	1	
			T _A = 70°C		0.6		μA
					1.5		μA
Chip disable to data retention	t _{CDR}		0		ns		
Recovery time	t _R		t _{RC}		ns	2	

NOTES:

1. CE₂ should be ≥ V_{CCDR} - 0.2 V or ≤ 0.2 V.
2. t_{RC} = Read cycle time.

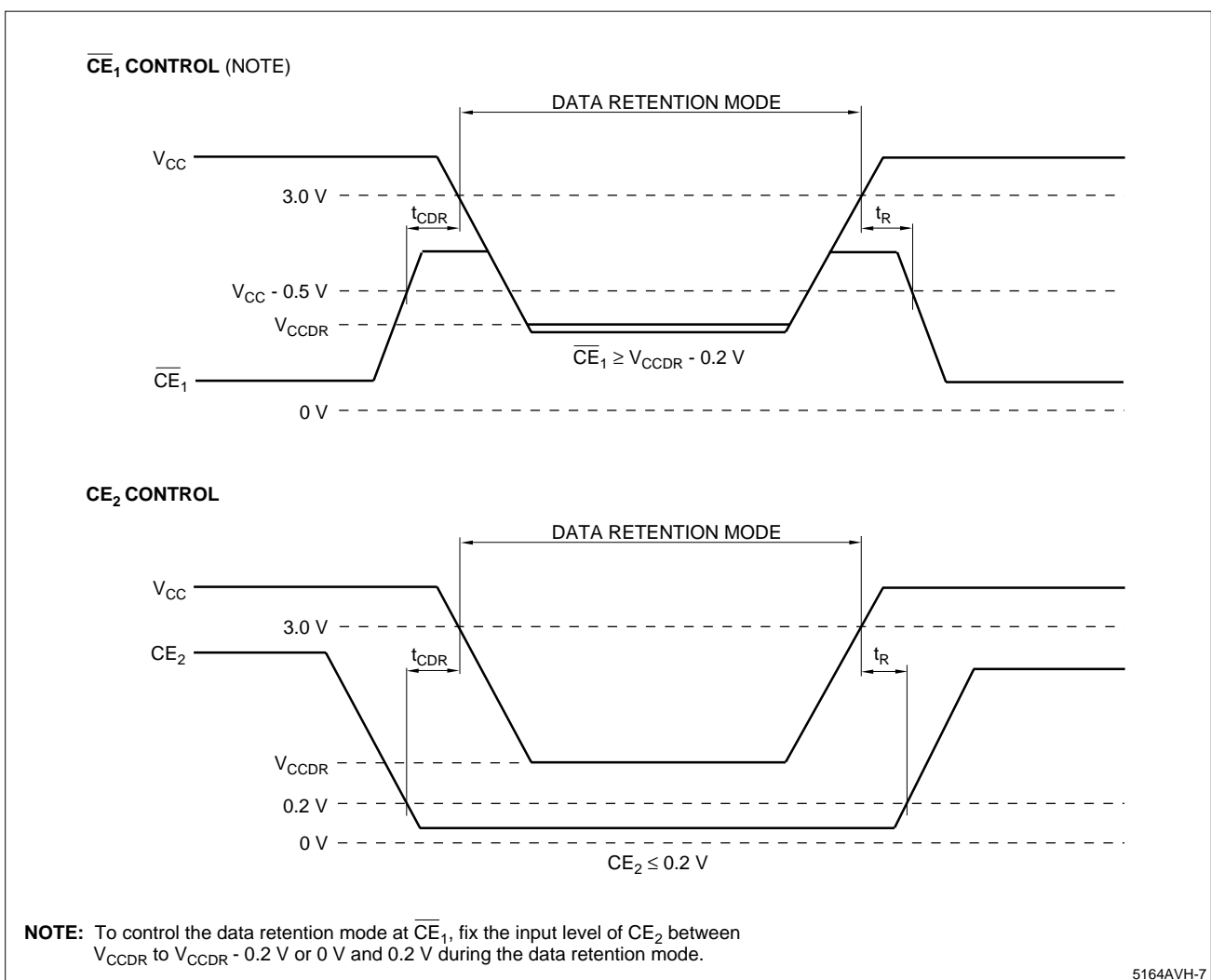


Figure 4. Data Retention Characteristics

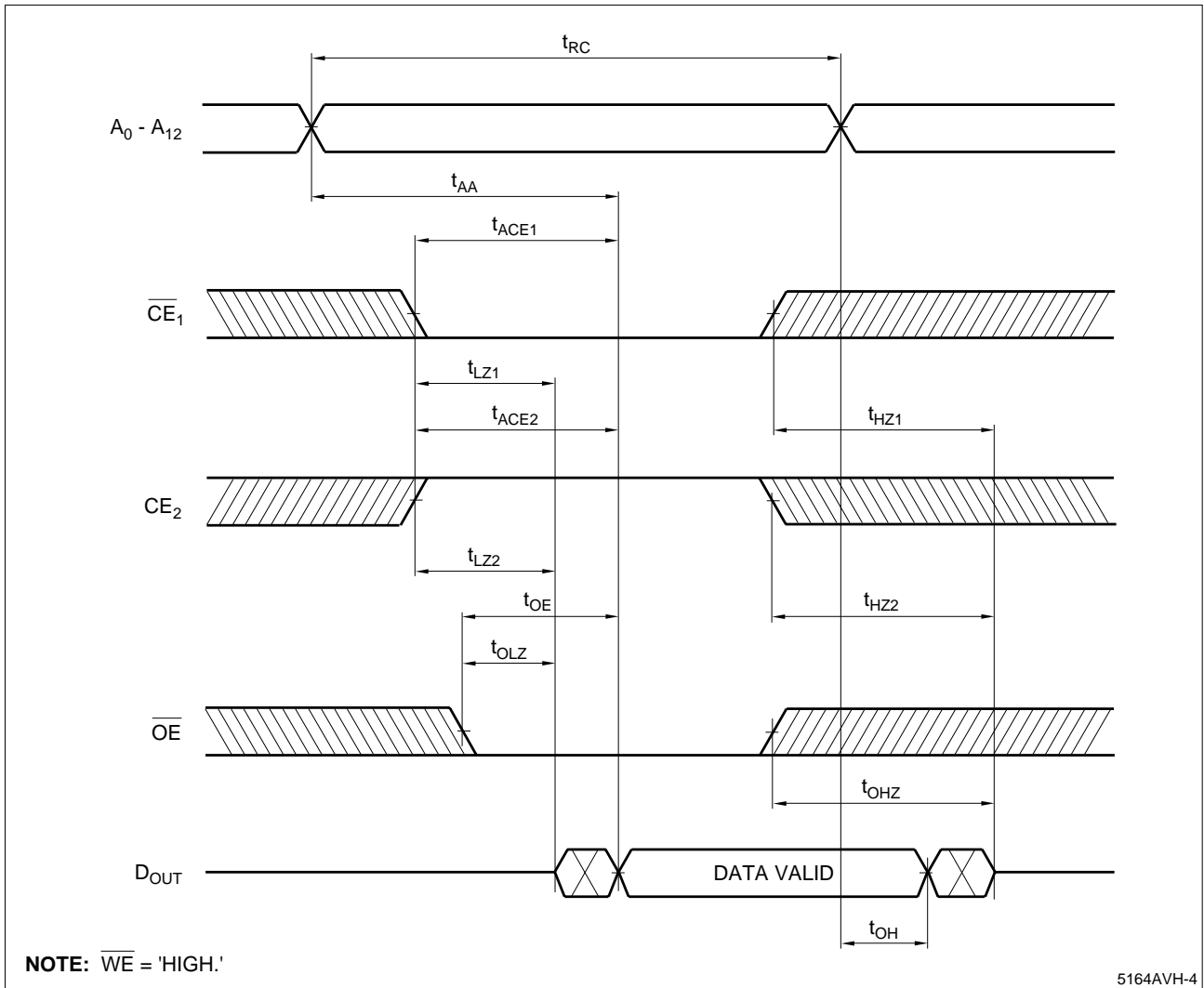
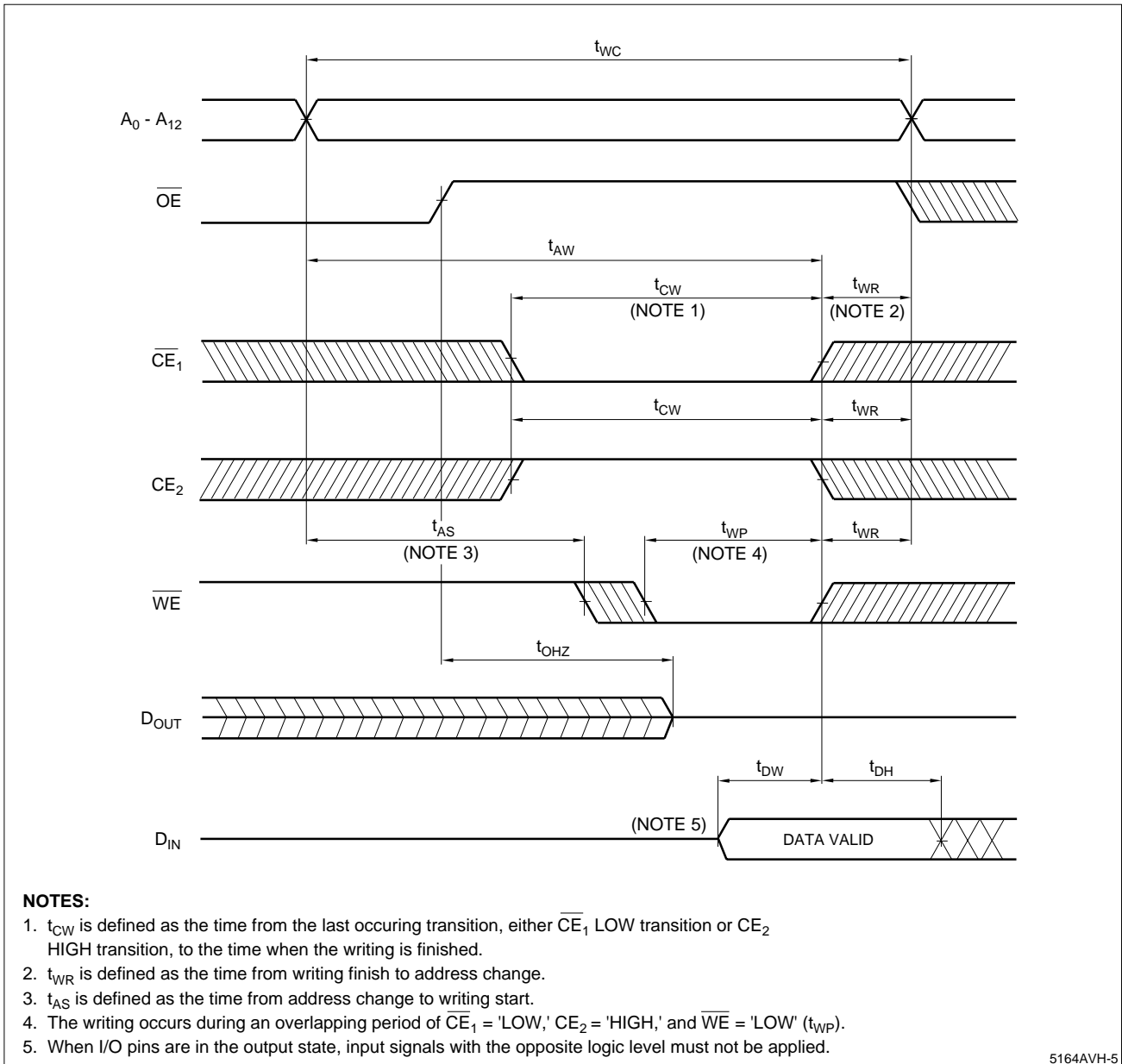


Figure 5. Read Cycle



5164AVH-5

Figure 6. Write Cycle (OE Controlled)

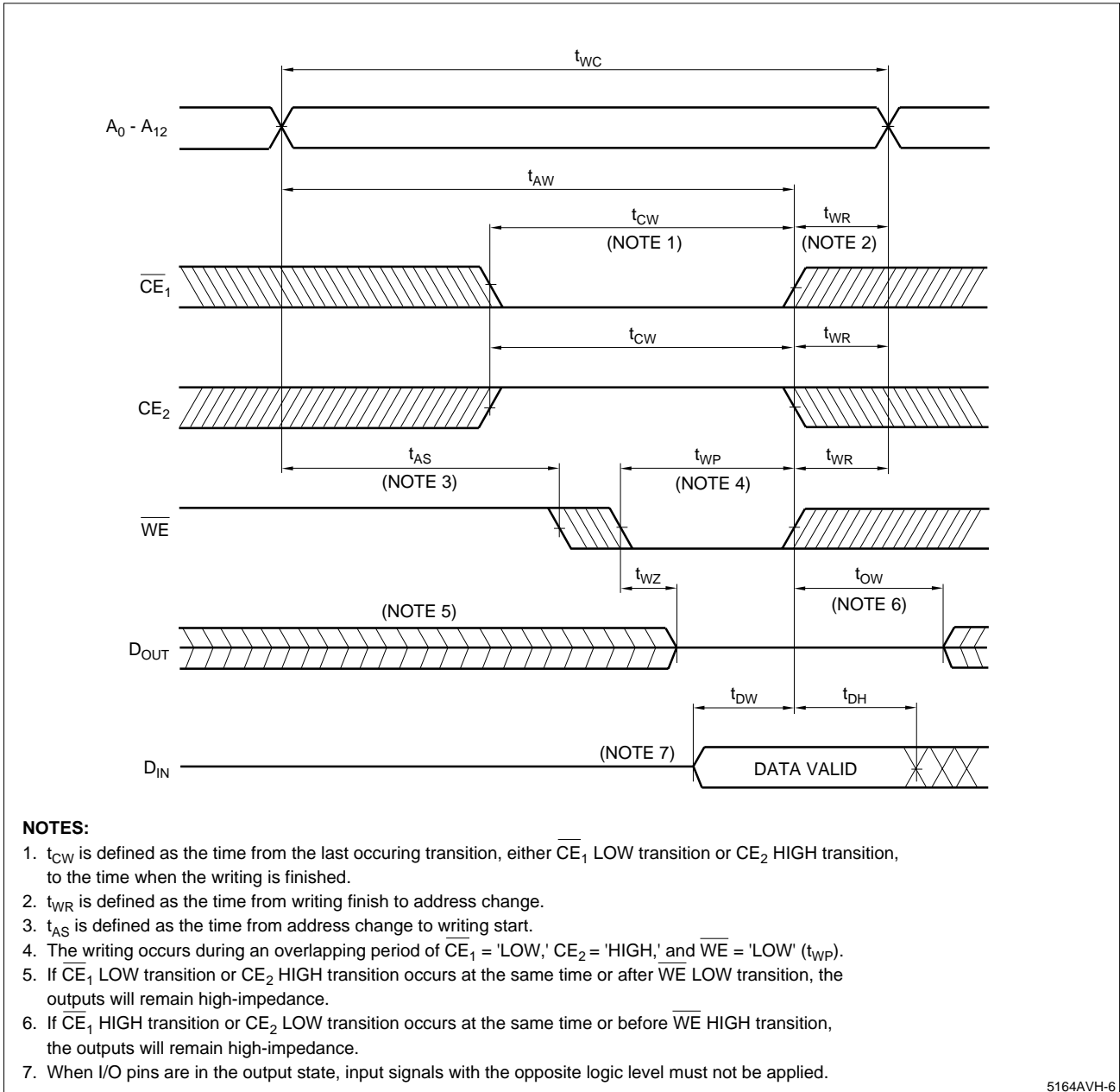
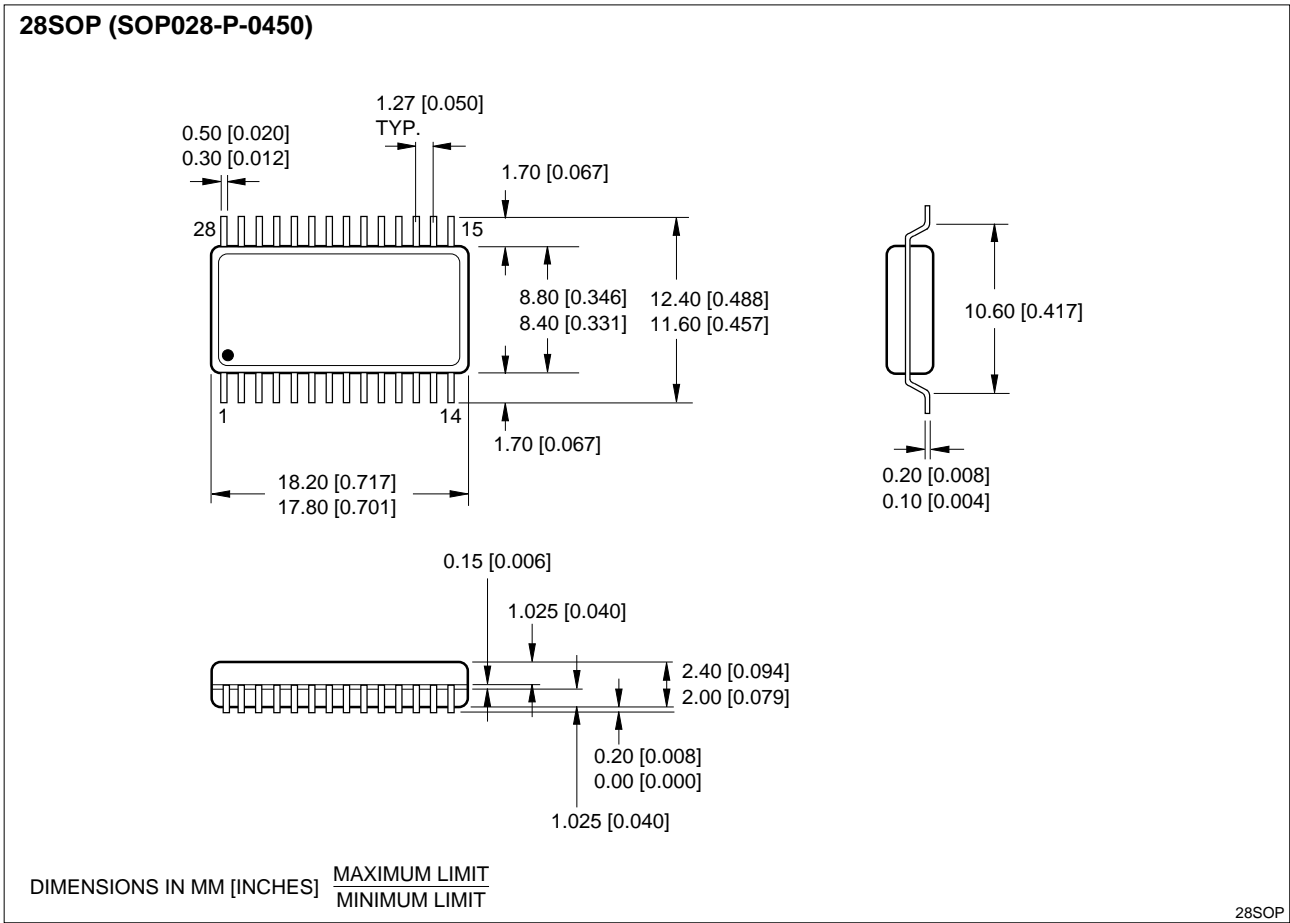
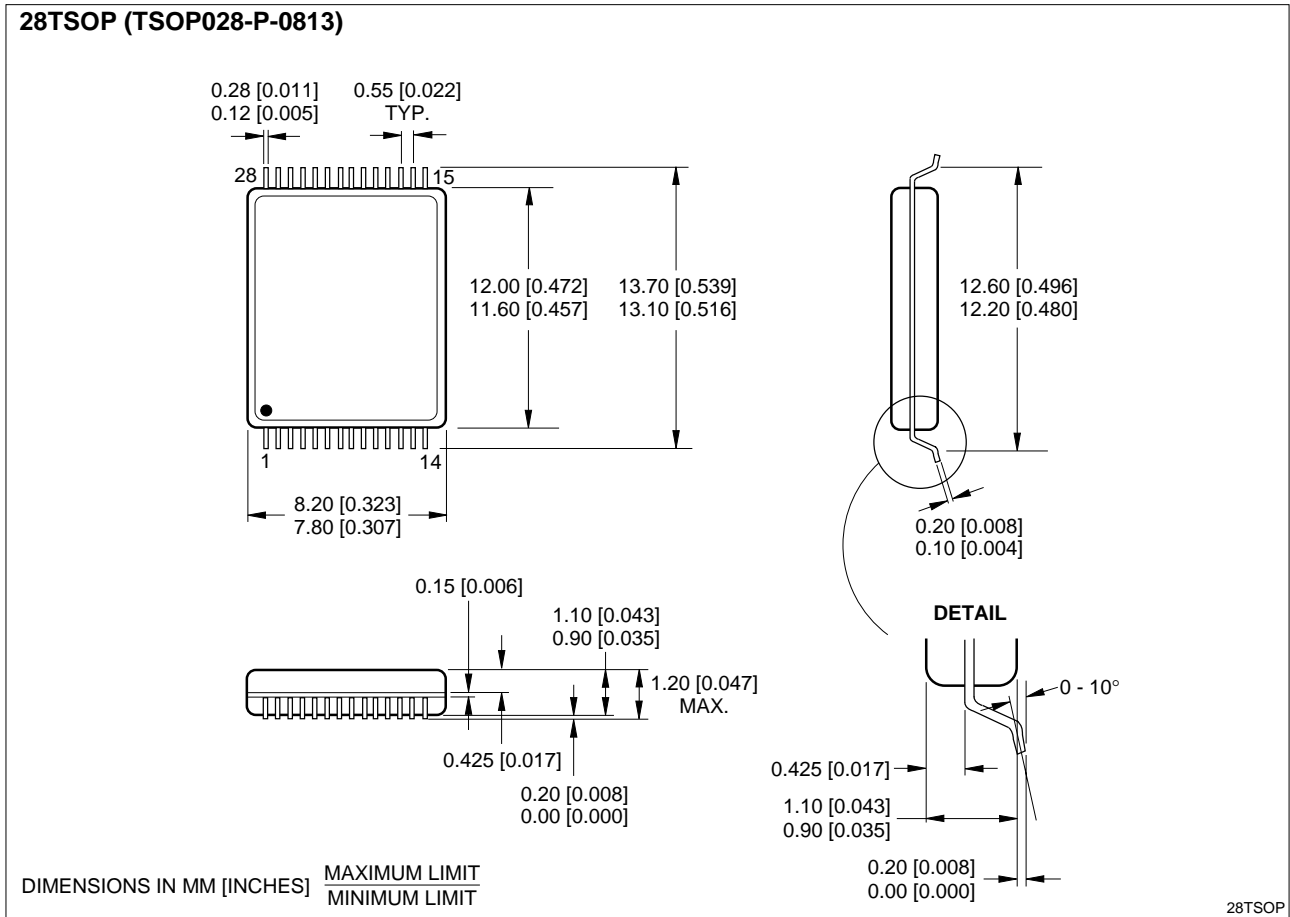


Figure 7. Write Cycle (OE Low Fixed)

PACKAGE DIAGRAMS



28-pin, 450-mil SOP



28-pin, 8 × 13 mm² TSOP (Type I)

ORDERING INFORMATION

