

LH5P1632

CMOS 512K (32K × 16) Pseudo-Static RAM

FEATURES

- 32,768 × 16 bit organization
- Access time: 80/150 ns (MAX.)
- Cycle time: 140/210 ns (MIN.)
- Single +5 V power supply
- Power consumption (MAX.):
Operating: 467.5/327.5 mW
Standby: 16.5 mW
- TTL compatible I/O
- 256 refresh cycles/4 ms (MAX.)
- Available for auto-refresh mode
- Packages:
40-pin, 600-mil DIP
40-pin, 525-mil SOP

DESCRIPTION

The LH5P1632 is a 512K-bit Pseudo-Static RAM organized as 32,768 × 16 bits. It is fabricated using silicon-gate CMOS process technology.

PIN CONNECTIONS

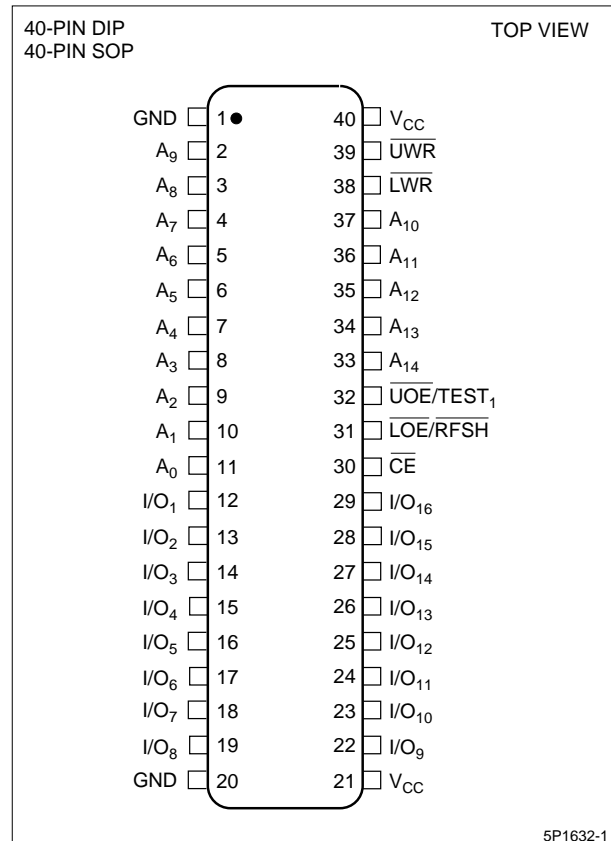


Figure 1. Pin Connections for DIP and SOP Packages

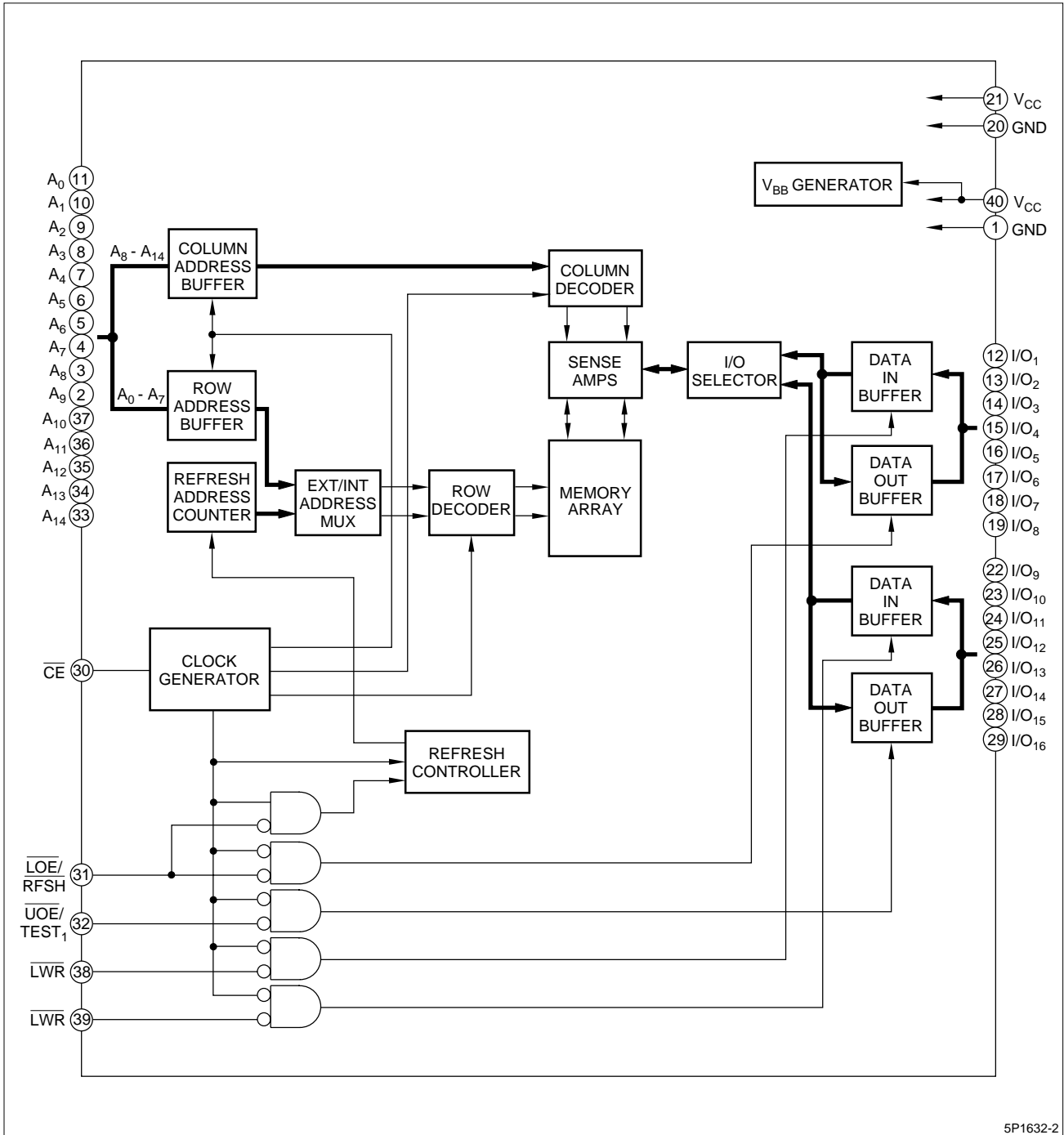


Figure 2. LH5P1632 Block Diagram

PIN DESCRIPTION

SIGNAL	PIN NAME
A ₀ – A ₁₄	Address input
LWR, UWR	Write enable
LOE/RFSH, UOE	Output enable/Refresh input
CE	Chip enable input

SIGNAL	PIN NAME
I/O ₁ – I/O ₁₆	Data input/output
V _{CC}	Power Supply
GND	Ground

ABSOLUTE MAXIMUM RATINGS

PARAMETER	SYMBOL	RATING	UNIT	NOTE
Applied voltage on all pins	V_T	-1.0 to +7.0	V	1
Output short circuit current	I_O	50	mA	
Power dissipation	P_D	600	mW	
Operating temperature	T_{opr}	0 to +70	°C	
Storage temperature	T_{stg}	-65 to +150	°C	

NOTE:

- The maximum applicable voltage on any pin with respect to GND.

RECOMMENDED OPERATING CONDITIONS ($T_A = 0$ to +70°C)

PARAMETER	SYMBOL	MIN.	TYP.	MAX.	UNIT	NOTE
Supply voltage	V_{CC}	4.5	5.0	5.5	V	
	GND	0	0	0	V	
Input voltage	V_{IH}	2.4		$V_{CC} + 0.3$	V	
	V_{IL}	-0.3		0.8	V	1

NOTE:

- V_{IL} (MIN.) = -1.0 V when the pulse width is less than 20 ns.

CAPACITANCE ($T_A = 0$ to +70°C, $f = 1$ MHz, $V_{CC} = 5.0$ V ±10%)

PARAMETER	CONDITIONS	SYMBOL	MIN.	MAX.	UNIT
Input capacitance	$A_0 - A_{14}$	C_{IN1}		8	pF
	LWR, UWR	C_{IN2}		5	pF
	CE	C_{IN3}		5	pF
	LOE/RFSH, UOE	C_{IN4}		5	pF
Input/Output capacitance	I/O ₁ - I/O ₁₆	C_{OUT1}		10	pF

DC CHARACTERISTICS ($T_A = 0$ to +70°C, $V_{CC} = 5.0$ V ±10%)

PARAMETER	SYMBOL	CONDITIONS	MIN.	MAX.	UNIT	NOTE
Average supply current in normal operation $t_{RC} = t_{RC}$ (MIN)	I_{CC1}	LH5P1632-80		85	mA	1, 2
		LH5P1632-15		65		
Supply current in standby mode	I_{CC2}			3.0	mA	1, 3
Average supply current in CPU internal cycle (LWR = UWR = LOE/RFSH = UOE = V_{IH})	I_{CC3}	LH5P1632-80		85	mA	1, 2
		LH5P1632-15				
Input leakage current	I_{LI}	$0\text{ V} \leq V_{IN} \leq 6.5\text{ V}$, 0 V except on test pins	-10	10	μA	
I/O leakage current	I_{LO}	$0\text{ V} \leq V_{OUT} \leq V_{CC} + 0.3\text{ V}$, Outputs in high-impedance state	-10	10	μA	
Output HIGH voltage	V_{OH}	$I_{OUT} = -1.0\text{ mA}$	2.4		V	
Output LOW voltage	V_{OL}	$I_{OUT} = 4.0\text{ mA}$		0.4	V	

NOTES:

- Specified values are with outputs open.
- I_{CC1} and I_{CC3} depend on the cycle time.
- CE = High, LOE/RFSH = High.

AC CHARACTERISTICS^{1, 2, 3} ($T_A = 0$ to $+70^\circ\text{C}$, $V_{CC} = 5.0\text{ V} \pm 10\%$)

PARAMETER	SYMBOL	-80 ns		-150 ns		UNIT	NOTE
		MIN.	MAX.	MIN.	MAX.		
READ OR WRITE CYCLE							
Random read, write cycle time	t_{RC}	140		210		ns	
Read modify write cycle time	t_{RMW}	205		280		ns	
CE pulse width	t_{CE}	80	10,000	150	10,000	ns	
$\overline{\text{CE}}$ precharge time	t_P	50		60		ns	
Address setup time	t_{AS}	0		0		ns	4
Address hold time	t_{AH}	20		30		ns	4
Read command setup time	t_{RCS}	0		0		ns	
Read command hold time	t_{RCH}	0		0		ns	
CE access time	t_{CEA}		80		150	ns	5
OE access time	t_{OEA}		30		70	ns	5
CE to output in Low-Z	t_{CLZ}	10		10		ns	
OE to output in Low-Z	t_{OLZ}	0		0		ns	
OE setup time for WR	t_{OSW}	0		0		ns	
Output disable time from CE	t_{CHZ}	0	25	0	35	ns	
Output disable time from OE	t_{OHZ}	0	25	0	35	ns	
Output disable time from WR	t_{WHZ}	0	25	0	35	ns	
OE setup time	t_{OES}	10		10		ns	
OE hold time	t_{OEH}	0		0		ns	
OE lead time	t_{OEL}	10		10		ns	
Write command pulse width	t_{WCP}	60		85		ns	
Write command setup time	t_{WCS}	60		85		ns	
Write command hold time	t_{WCH}	60		85		ns	
Data setup time from WR	t_{DSW}	30		50		ns	
Data setup time from $\overline{\text{CE}}$	t_{DSC}	30		50		ns	
Data hold time from WR	t_{DHW}	0		0		ns	
Data hold time from CE	t_{DHC}	0		0		ns	
Transition time (rise and fall)	t_T	3	35	3	35	ns	
Refresh time interval	t_{REF}		4		4	ms	
REFRESH CYCLE							
Auto refresh cycle time	t_{FC}	140		190		ns	
Refresh delay time from CE	t_{RFD}	50		60		ns	
Refresh pulse width (Auto Refresh)	t_{FAP}	30	8,000	80	8,000	ns	
Refresh precharge time (Auto Refresh)	t_{FP}	40		30		ns	
$\overline{\text{CE}}$ delay time from Refresh active (Auto Refresh)	t_{FCE}	160		225		ns	

NOTES:

- In order to initialize the circuit, $\overline{\text{CE}}$ and OEL/RFSH should be kept V_{IH} for 200 μs after power on and followed by at least 8 dummy cycles.
- AC characteristics shall be tested with $t_T = 5$ ns.
- AC characteristics are measured at the following condition (see figure at right).
- Address is latched at the negative edge of $\overline{\text{CE}}$.
- Measured with a load equivalent to 2TTL + 100 pF.
- Data for the lower byte (I/O_1 to I/O_8) is latched at the positive edge of LWR or the positive edge of CE. Data for the upper byte (I/O_9 to I/O_{16}) is latched at the positive edge of UWR or the positive edge of CE.

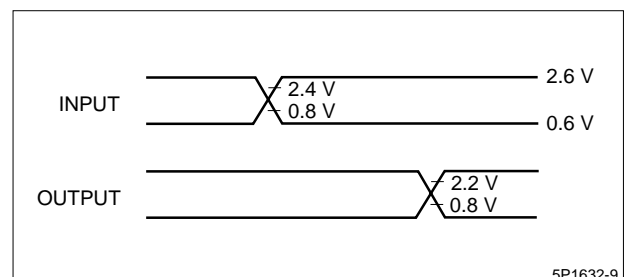



Figure 3. AC Characteristics

5P1632-9

TRUTH TABLE

INPUT					OUTPUT		MODE		NOTE
\overline{CE}	\overline{UOE}	$\overline{LOE/RFSH}$	\overline{UWR}	\overline{LWR}	$I/O_9 - I/O_{16}$	$I/O_1 - I/O_8$	UPPER BYTE	LOWER BYTE	
H	D	D	D	D	High-Z	High-Z	Standby		
L	L	L	H	H	D _{OUT}	D _{OUT}	Read	Read	
L	H	L	H	H	High-Z	D _{OUT}	CE only refresh	Read	
L	L	H	H	H	D _{OUT}	High-Z	Read	\overline{CE} only refresh	
L	H	H	H	H	High-Z	High-Z	CE only refresh	CE only refresh	
L	D	D	L	L	D _{IN}	D _{IN}	Write	Write	
L	D	H	L	H	D _{IN}	High-Z	Write	\overline{CE} only refresh	
L	H	D	H	L	High-Z	D _{IN}	CE only refresh	Write	
L	D	L	L	H	D _{IN}	D _{OUT}	Write	Read	Inhibit
L	L	D	H	L	D _{OUT}	D _{IN}	Read	Write	Inhibit
H	D		D	D	High-Z	High-Z	Auto Refresh		

NOTES:

D = Don't care.

High-Z = High impedance.

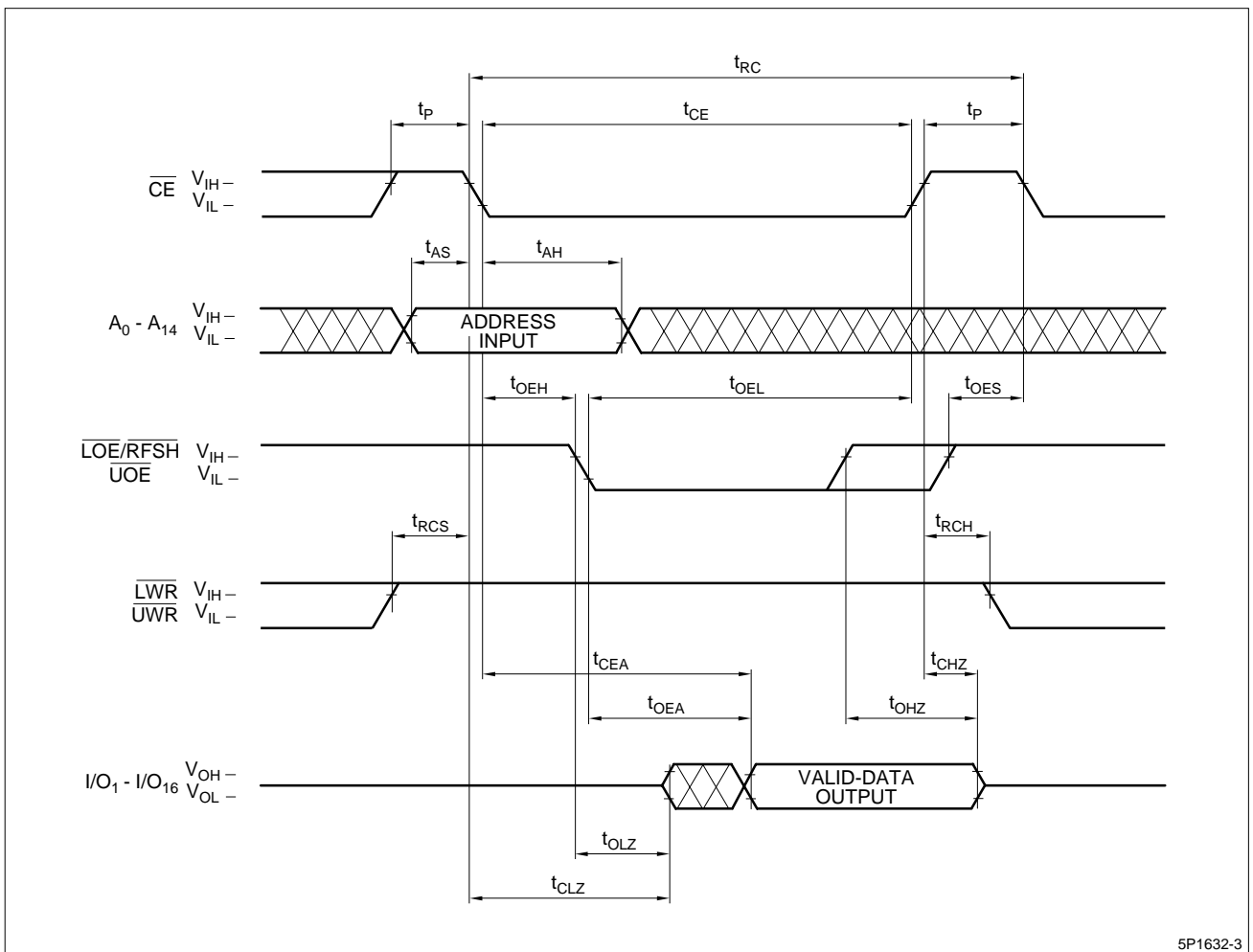
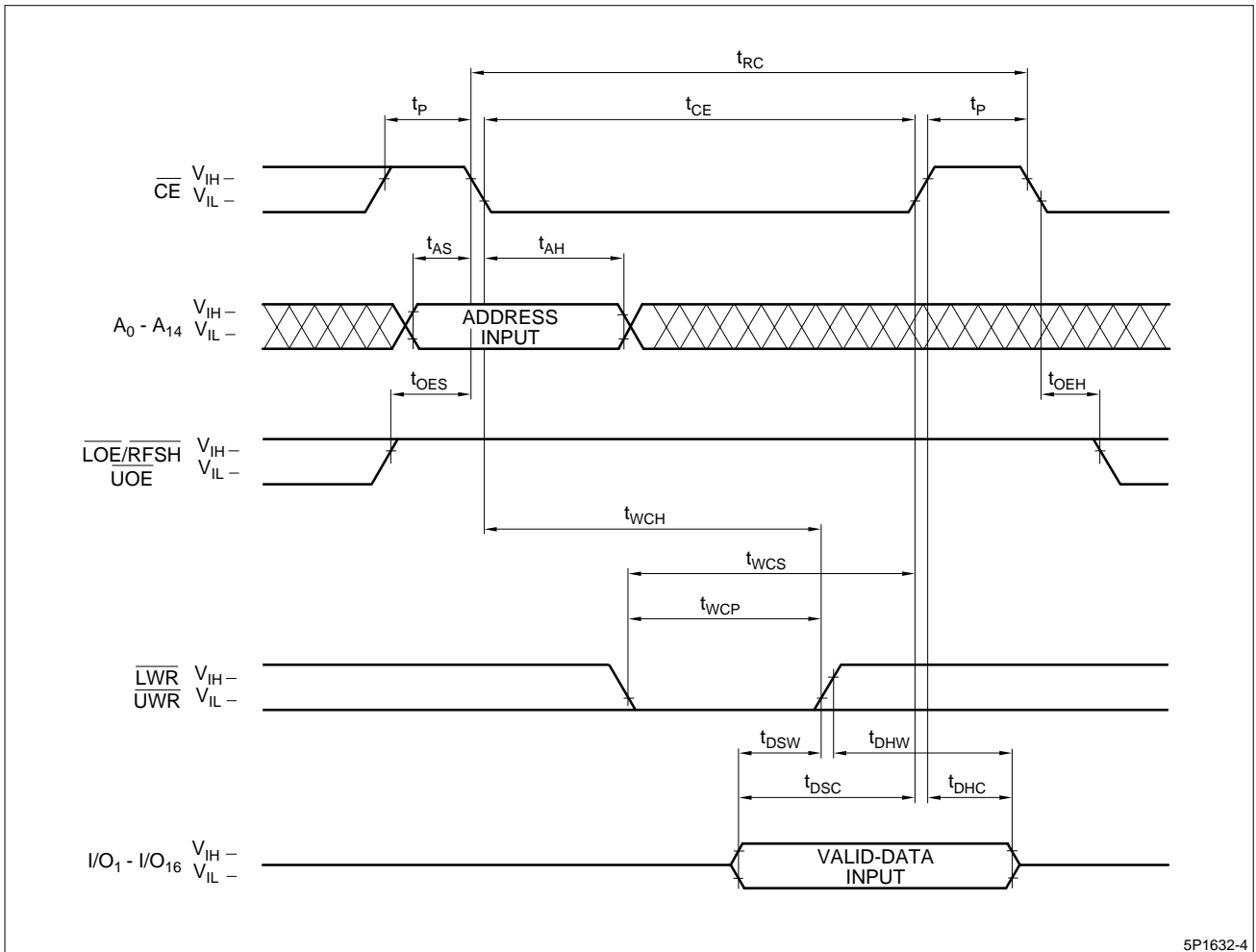
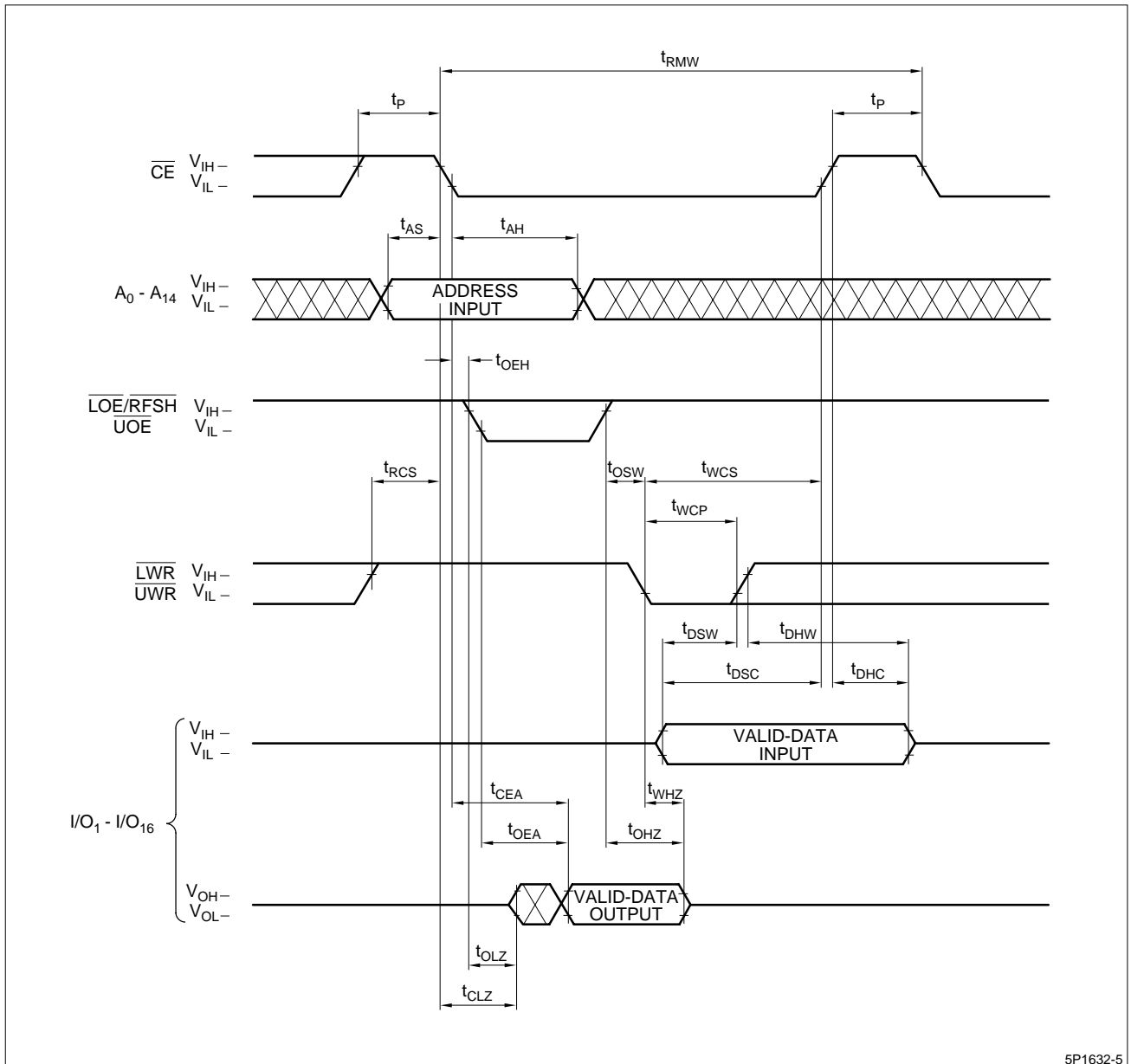


Figure 4. Read Cycle



5P1632-4

Figure 5. Write Cycle



5P1632-5

Figure 6. Read-Write Cycle

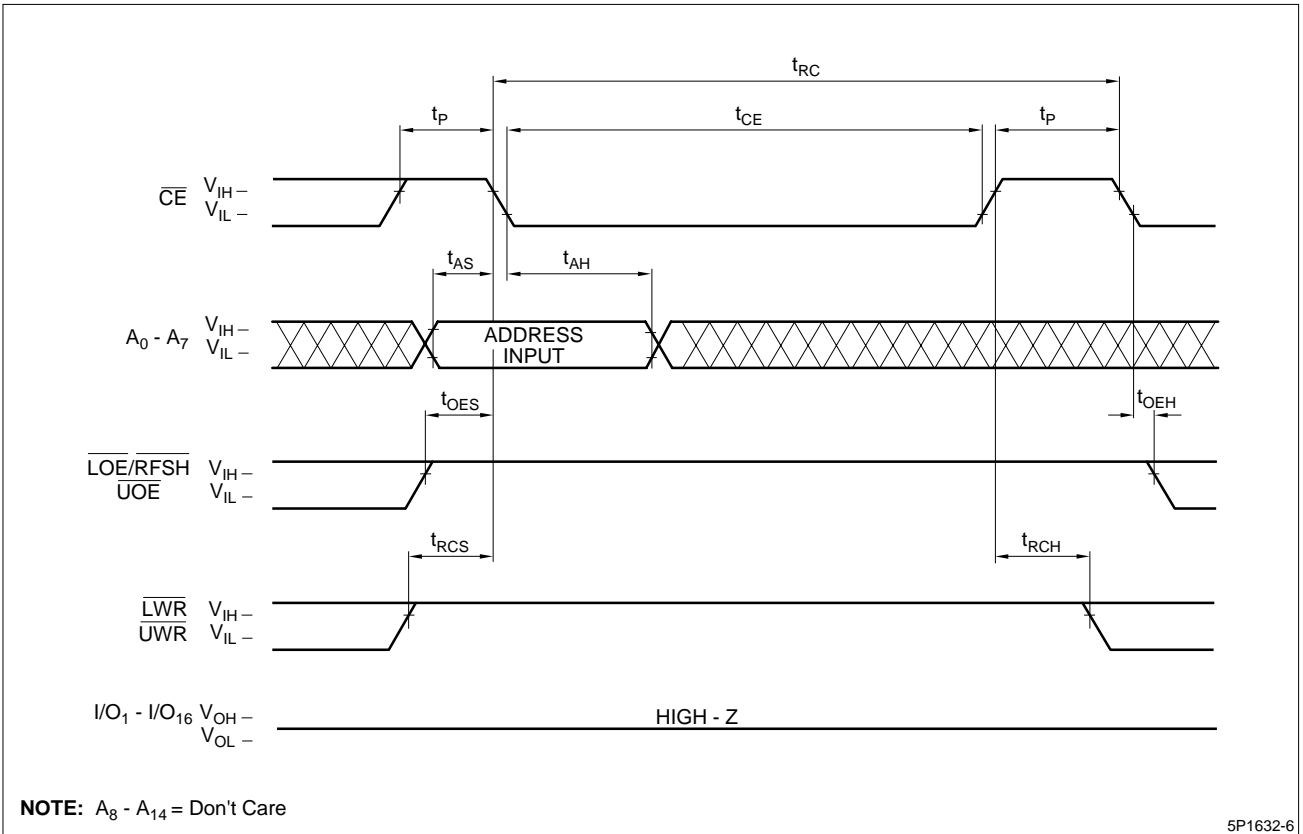


Figure 7. CE Only Refresh Cycle

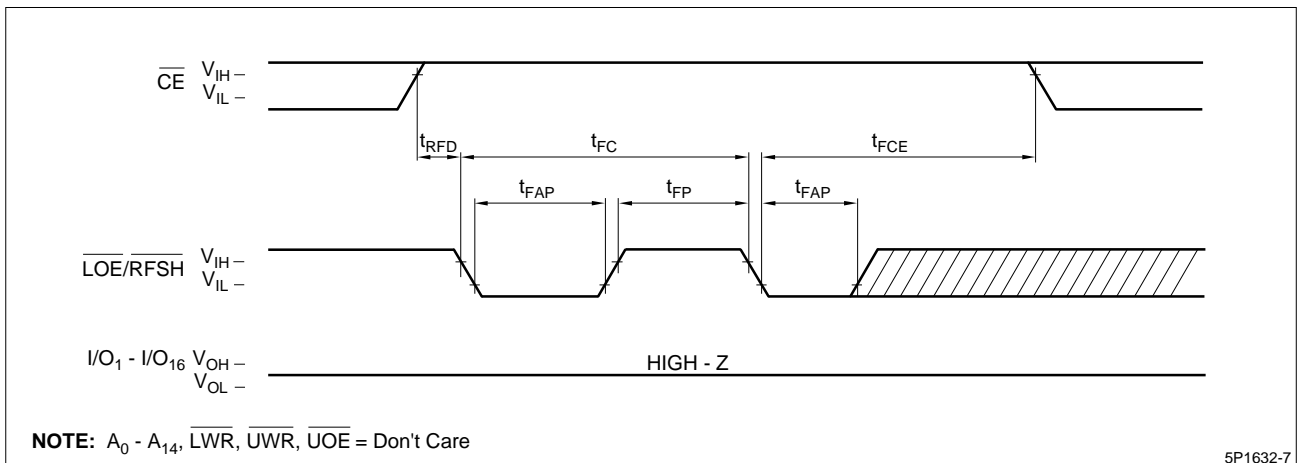
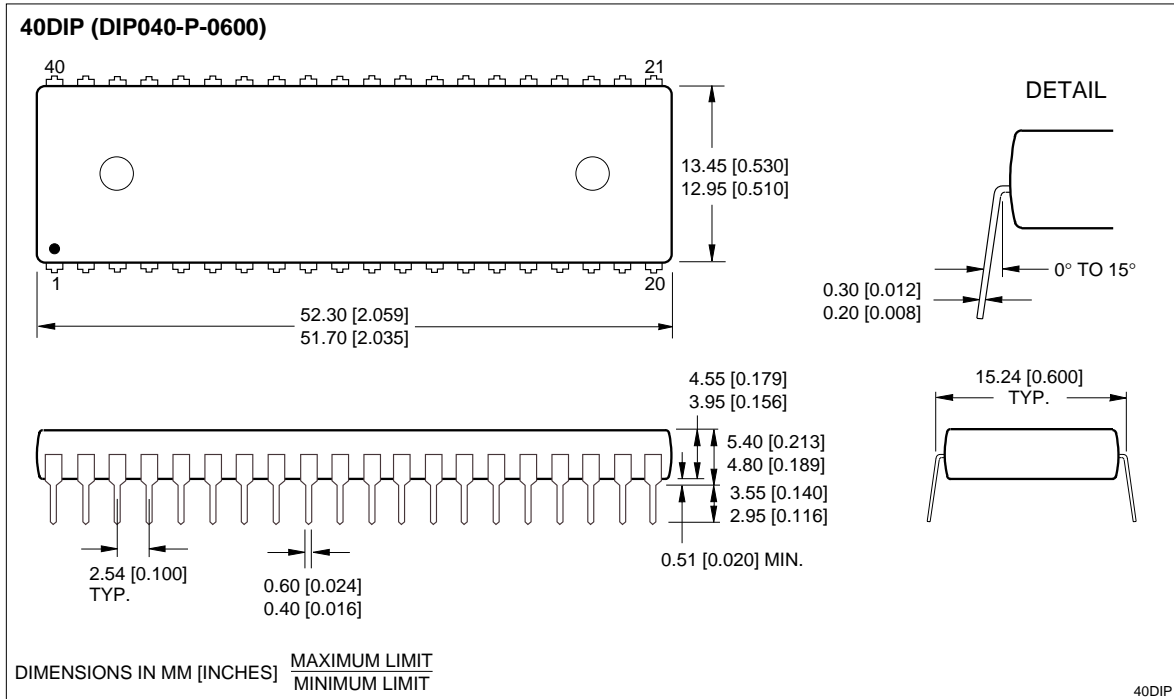
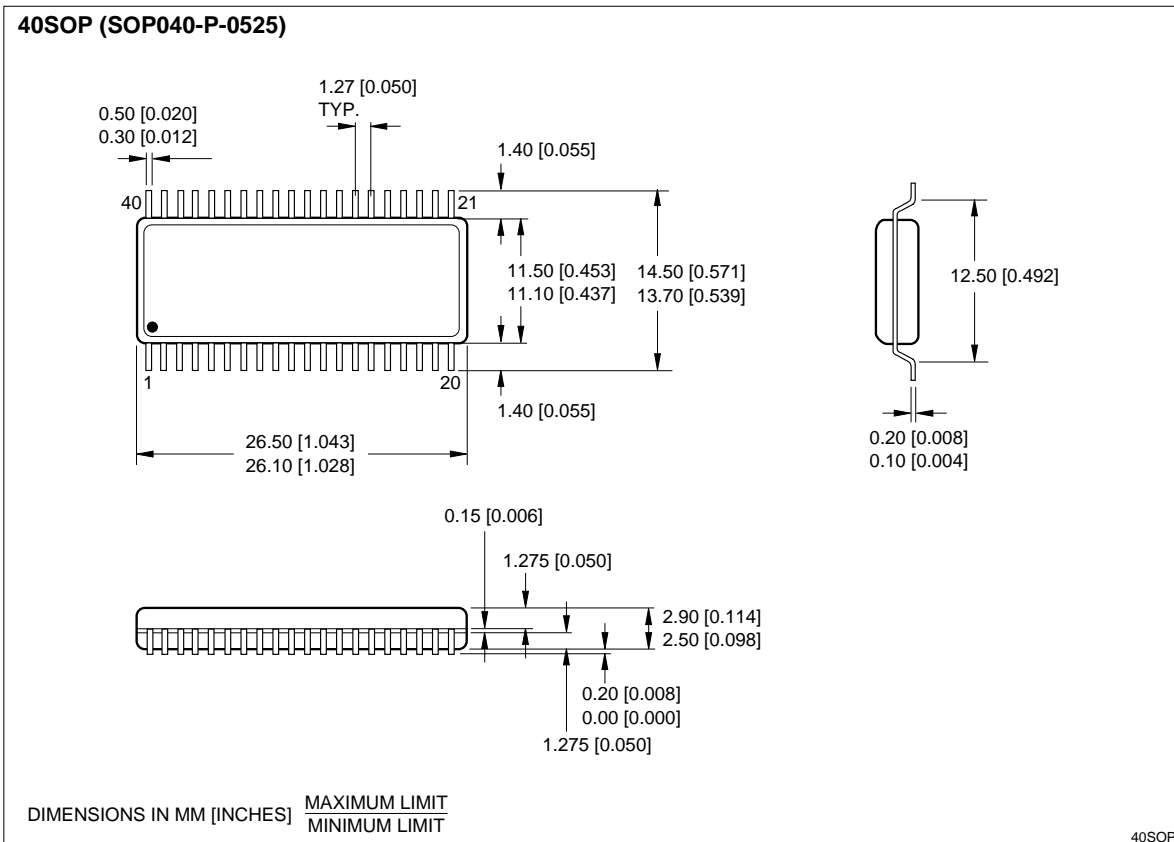


Figure 8. Auto Refresh Cycle

PACKAGE DIAGRAMS



40-pin, 600-mil DIP



40-pin, 525-mil SOP

ORDERING INFORMATION

