

LT205A (under development)

GaAs Hall IC for Fan Motor with Variable Speed by Temperature

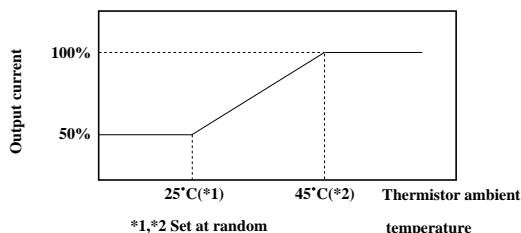
■ Features

- Space saving mounting due to combining a Hall device and a driver IC in a small 12-pin SOP package
- Wind control depending on calorific value
- Low noise
- With automatic reset and alarm output function when a motor is locked
- Surface mount type (Taping: 1,000 pcs/reel)

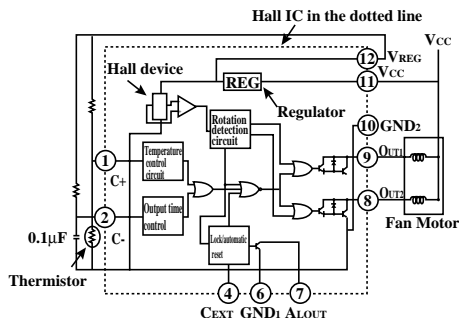
■ Applications

- Brushless fan motor
- Cooling fan motor for personal computers, word processors, etc.
- Directly cooling fan for cooling fin, PCB, etc.

■ Motor drive current vs. temperature (Example)



■ Block diagram



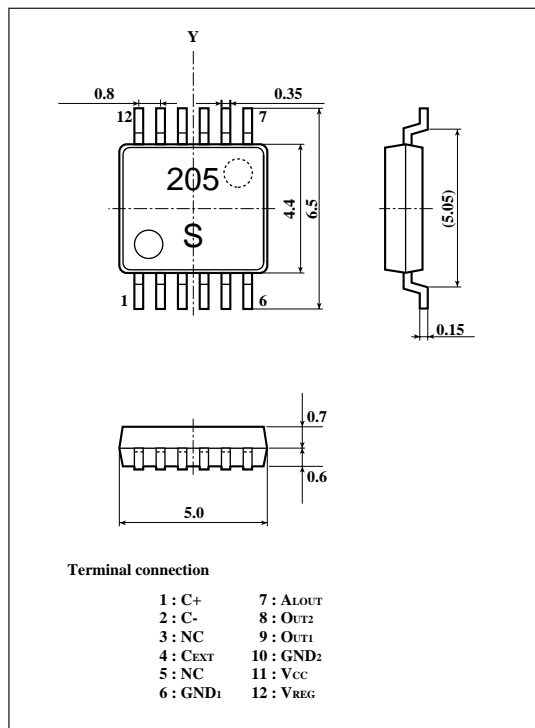
■ Electrical Characteristics

(T_a=25°C)

Parameter	Symbol	Conditions	MIN.	TYP.	MAX.	Unit
Operating supply voltage	V _{CC}		8	-	28	V
Output current	I _{OUT}		-	-	(0.5)	A
Output saturation voltage	V _{OUT}	V _{CC} =12V, I _o =0.5A	-	-	(1.5)	V
Output cut-off current	I _{OC}	V _o =55V	-	-	30	μA
Operating magnetic flux density	B ₁		-10	-	-	mT
	B ₂		-	-	10	mT

■ Outline Dimensions

(Unit : Fmm)



As for dimensions of tape-packaged products, refer to page 44 .