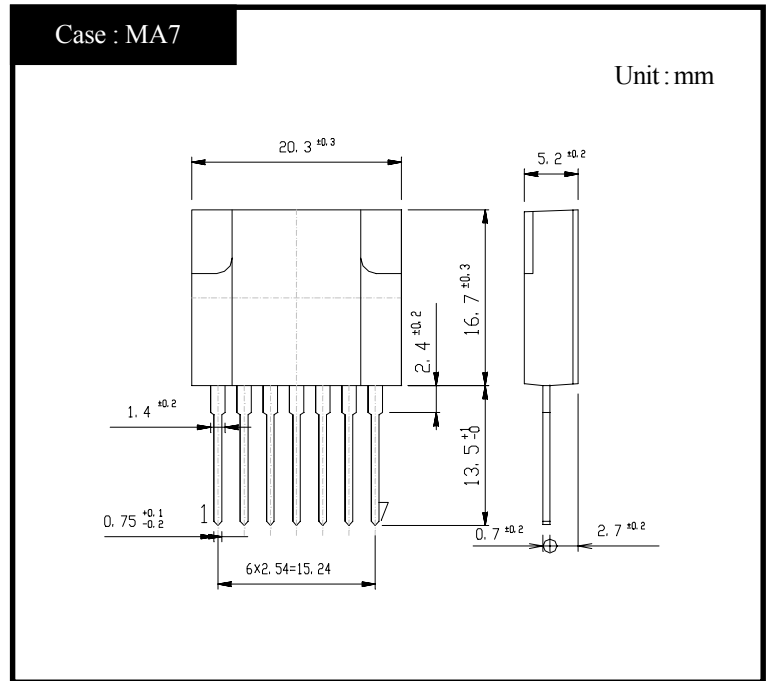


MA2420

OUTLINE DIMENSIONS



RATINGS

●Absolute Maximum Ratings

Item	Symbol	Conditions	Ratings		Unit
			P Class	N Class	
Storage Temperature	Tstg		-30~125	-30~125	°C
Operating Temperature	Top	Case Temperature	-20~125	-20~125	°C
Junction Temperature	Tj		150	150	°C
Peak Input Voltage	Vin	②+,④-,Fig.1 is Measurement Circuit of Peak Input Voltage Vin and Collector Cutoff Current I _{CEX} .	500	500	V
Input Current	Iin	Pulse Pulse Width 150 μs MAX, Duty 1/2, Sawtooth Wave, Peak Value, ②+,④-	6	6	A
Maximum Operating Frequency	f(max)		200	200	kHz
Maximum Power Dissipation	P _D	Ta=25°C	3	3	W
	P _D	Heatsink Tc=100°C	12	12	W
Dielectric Strength	Vdis	Terminals To Case AC 1 min	2	2	kV
Insulation Resistance		Terminals To Case 500VDC	100	100	MΩ
Fold Back Control Voltage	V _{CONT(max)}	Fold Control Resistance=0Ω Duty 1/2, ④,⑦	±8	±8	V
Fold Back Control Current	I _{CONT(max)}	④-,⑥+	100	100	mA

●Electrical Characteristics (Tc=25°C)

Item	Symbol	Conditions	Ratings		Unit
			P Class	N Class	
Q1	Collector Cutoff Current	I _{CEX}	V _{CE} =500V, Fig.1 is Measurement Circuit of Peak Input Voltage Vin and Collector Cutoff Current I _{CEX} . ②+,④-		mA
	DC Current Gain	h _{FE}	V _{CE} = 5V, I _C = 1.5A, ②+,④-,⑤I _B		
	Collector to Emitter Saturation Voltage	V _{CE(sat)}	I _C =1.5A, I _B =0.3A, ②+,④-,⑤I _B		V
D1	Thermal Resistance	θ _{jc}	Junction to Case		°C/W
	Reverse Current	I _R	V _R =450V,①+,②-		μA
	Forward Voltage	V _F	I _F =0.6A,①-,②+		V
Driving Saturation Voltage	V _{D(sat)}	I _C =1.5A, I _B =0.3A, ⑤+,④-	MIN 1.7	MIN 1.7	V
			MAX 2.3	MAX 2.3	

●Standard Operating Condition・Design Standard For Application Circuit

Item	Conditions	Ratings		Unit
		P Class	N Class	
Input Rated Voltage		AC90~132	AC90~132	V
Output Nominal Wattage		24	24	W
Output Nominal Voltage		12	12	V
Output Nominal Current		2	2	A

●Standard Operating Condition・Standard Operating Characteristics (Ta=25°C)

Item	Conditions	Ratings		Unit		
		P Class	N Class			
Minimum Input Full Load Output Voltage	Vin=90V, IO=2A	12.0±0.6	12.0±0.6	V	Fig 2, ① Refer	
Maximum Input Light Load Output Voltage	Vin=132V, IO=0.2A	12.0±0.6	12.0±0.6	V	Fig 2, ② Refer	
AC Input Voltage	IO=2A	MAX 85	MAX 85	V		
Over Current Protection	Foldback Current	Vin=132V, VO=10V	MAX 3.5	MAX 3.5	A	Fig 2, ③ Refer
	Short Circuit	Vin=132V, RO=0.5Ω	Nodamage To Any Device, Automatic Recovery.		-	Fig 2, ④ Refer
Output Ripple Noise	Vin=90~132V, IO=0.2~2A	MAX 150	MAX 150	mV P-P		

Figure in ○=Terminal Sign

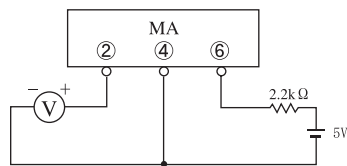


Fig1. Measurement Circuit

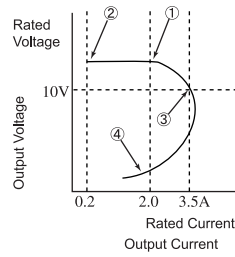
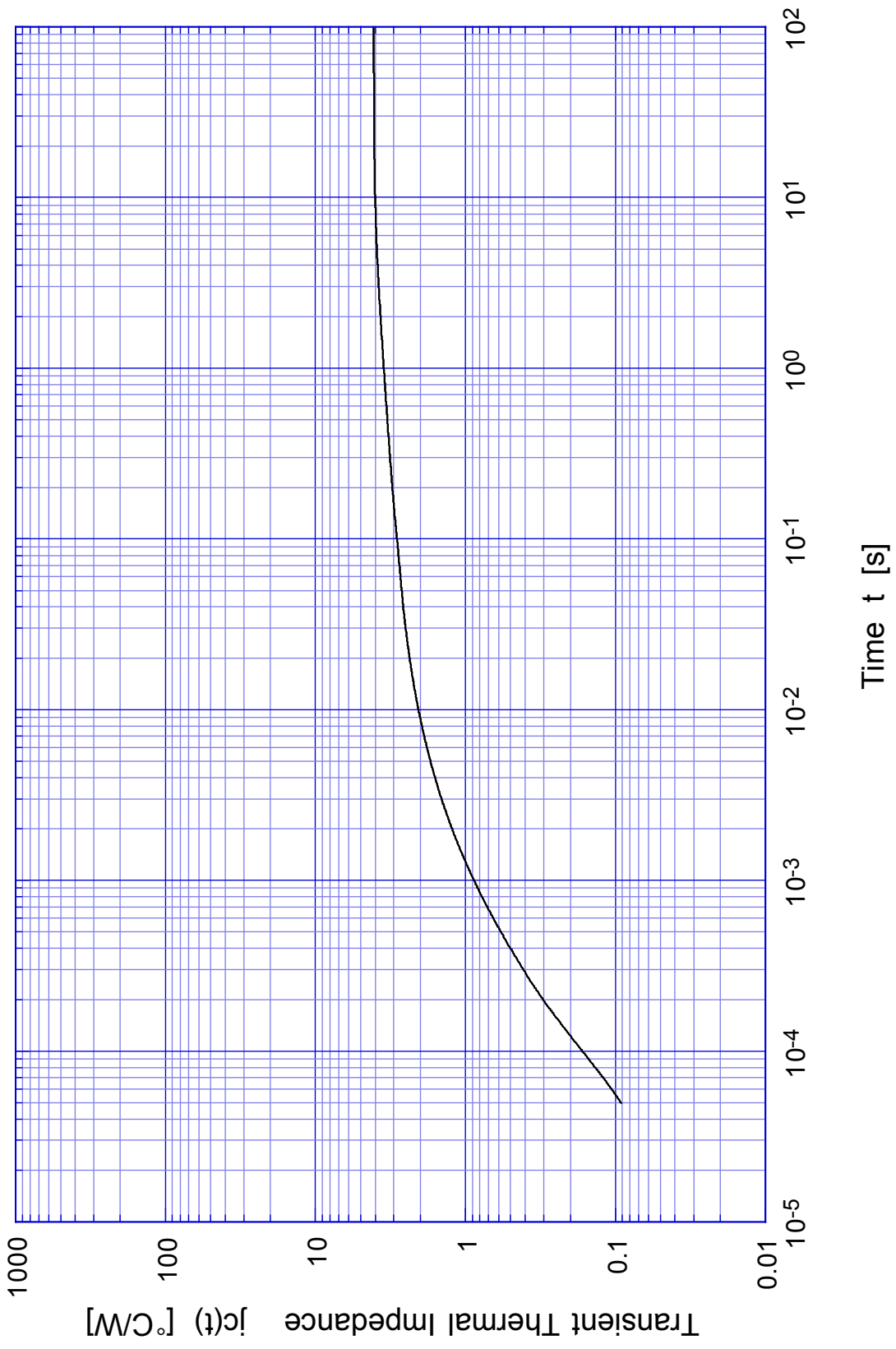


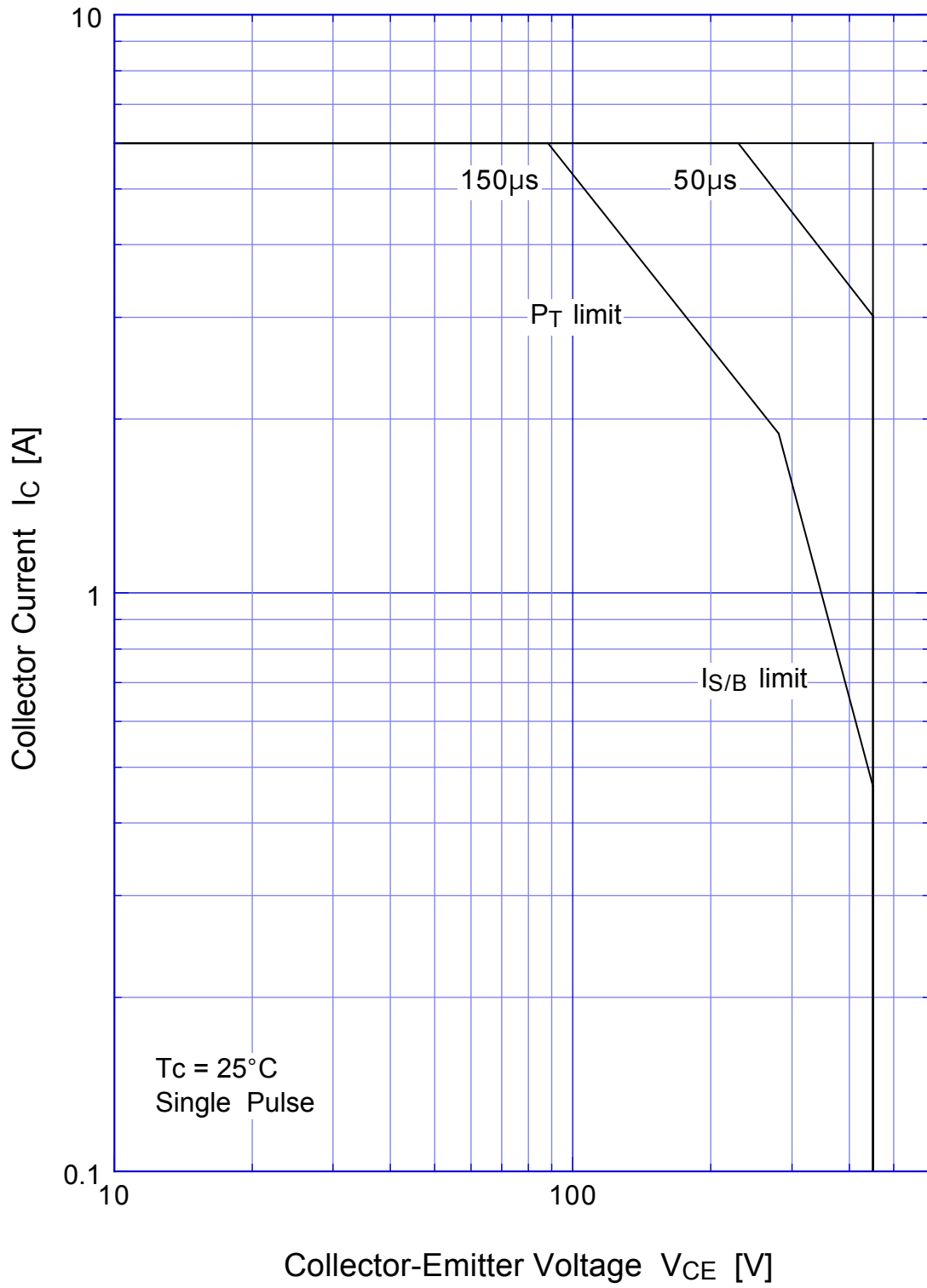
Fig2. Output Voltage/Current

MA2420 Transient Thermal Impedance



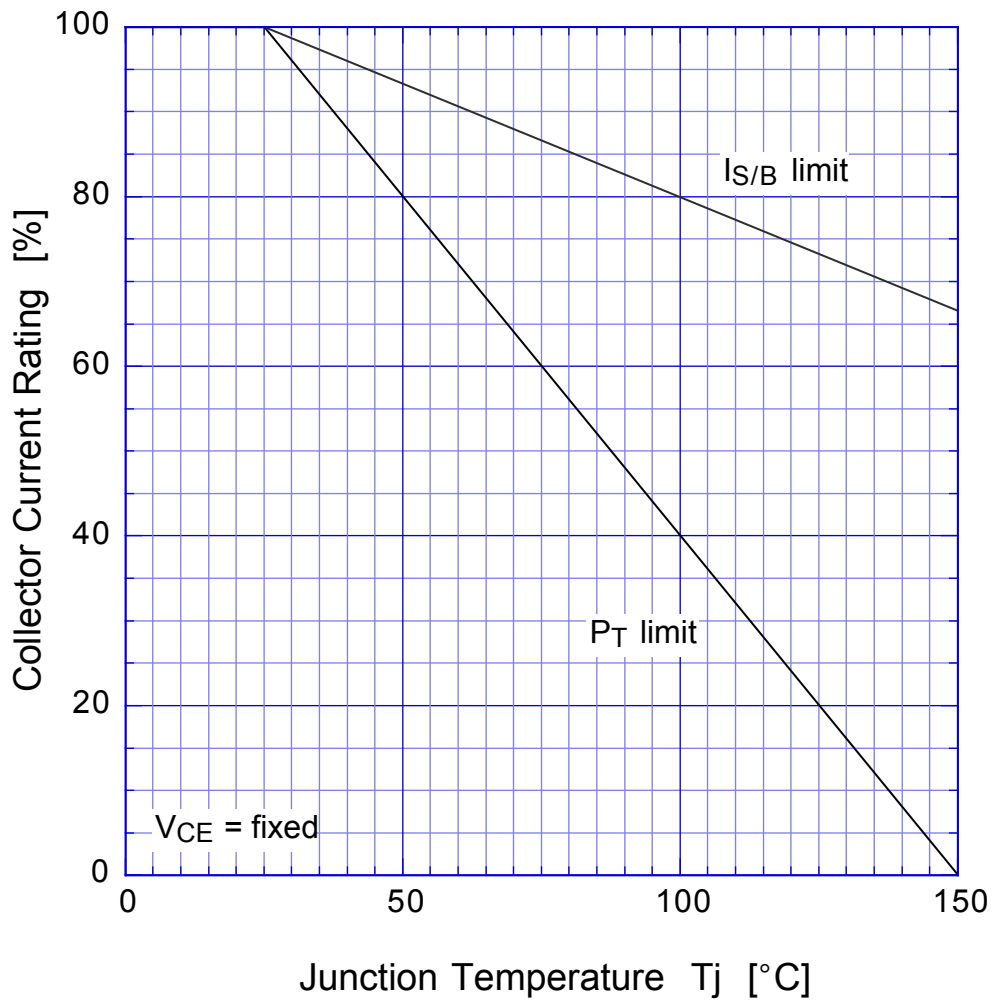
MA2420

Forward Bias SOA



MA2420

Collector Current Derating



MA2420

Reverse Bias SOA



MA2420

$h_{FE} - I_C$

