

SHINDENGEN

Super Fast Recovery Rectifiers

Dual

DE5LC20U

200V 5A

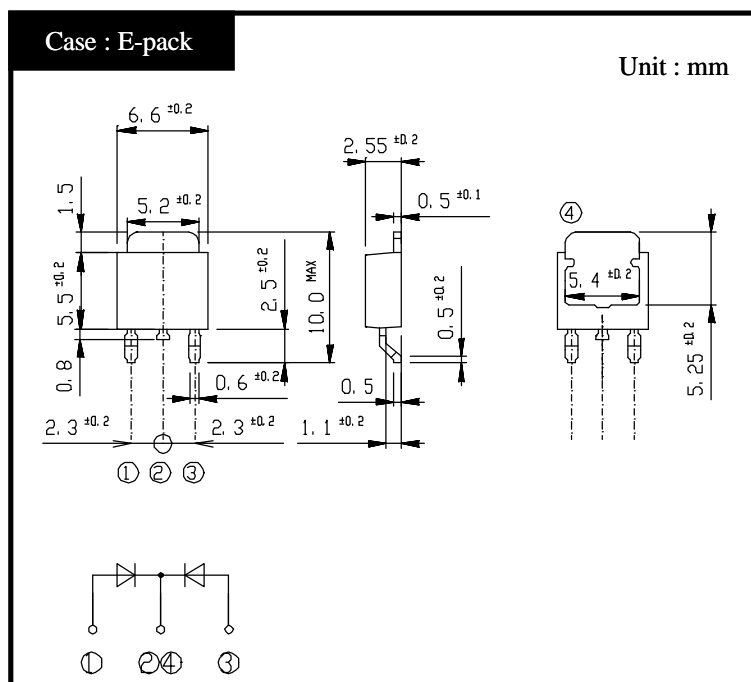
FEATURES

SMT
Low noise
trr35ns

APPLICATION

Switching power supply
DC/DC converter
Free Wheel
Home Appliances, Office Equipment
Telecommunication, Factory Automation

OUTLINE DIMENSIONS



RATINGS

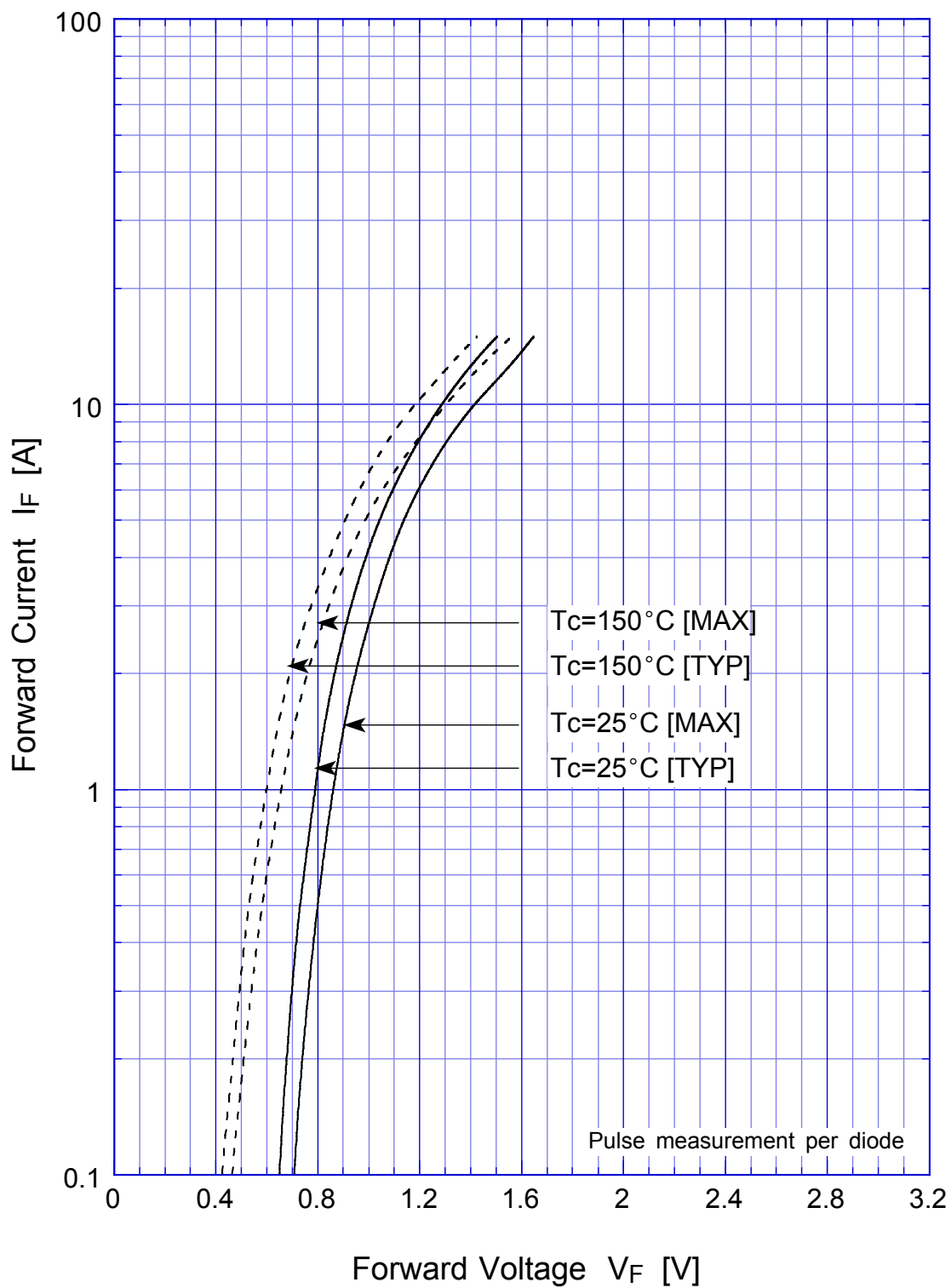
Absolute Maximum Ratings (If not specified Tc=25)

Item	Symbol	Conditions	Ratings	Unit
Storage Temperature	Tstg		-55 ~ 150	
Operating Junction Temperature	Tj		150	
Maximum Reverse Voltage	V _{RM}		200	V
Average Rectified Forward Current	I _o	50Hz sine wave, R-load, Rating for each diode I _o /2, Tc=81	5	A
		50Hz sine wave, R-load, I _o /2, On alumina substrate Ta=25	2.6	
Peak Surge Forward Current	I _{FSM}	50Hz sine wave, Non-repetitive 1 cycle peak value, Tj=25	50	A

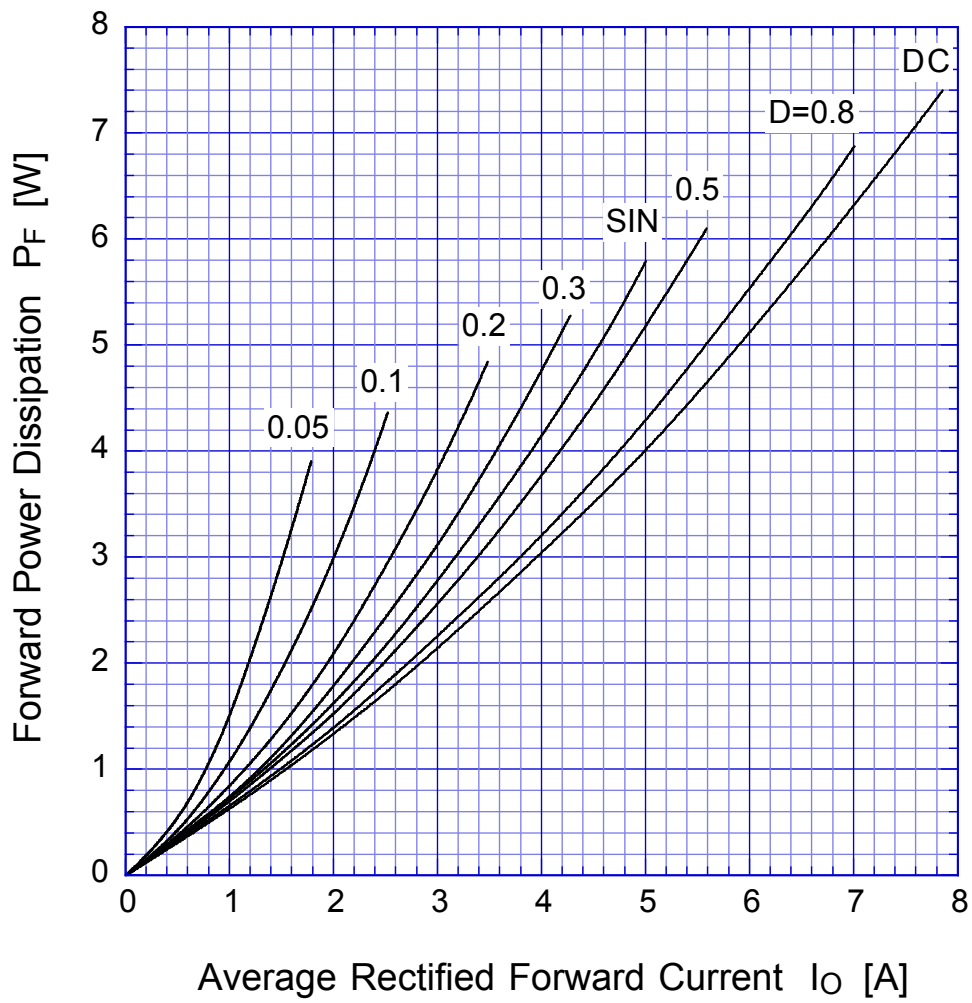
Electrical Characteristics (If not specified Tc=25)

Item	Symbol	Conditions	Ratings	Unit
Forward Voltage	V _F	I _F =2.5A, Pulse measurement, Rating of per diode	Max.0.98	V
Reverse Current	I _R	V _R =V _{RM} , Pulse measurement, Rating of per diode	Max.10	μA
Reverse Recovery Time	trr	I _F =0.5A, I _R =1A, Rating of per diode	Max.35	ns
Thermal Resistance	j _c	junction to case	Max.12	/W
	j _a	junction to ambient	Max.55	

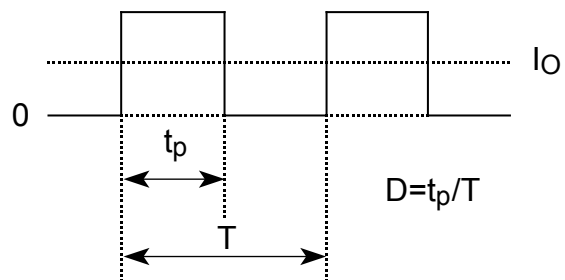
DE5LC20U Forward Voltage



DE5LC20U Forward Power Dissipation

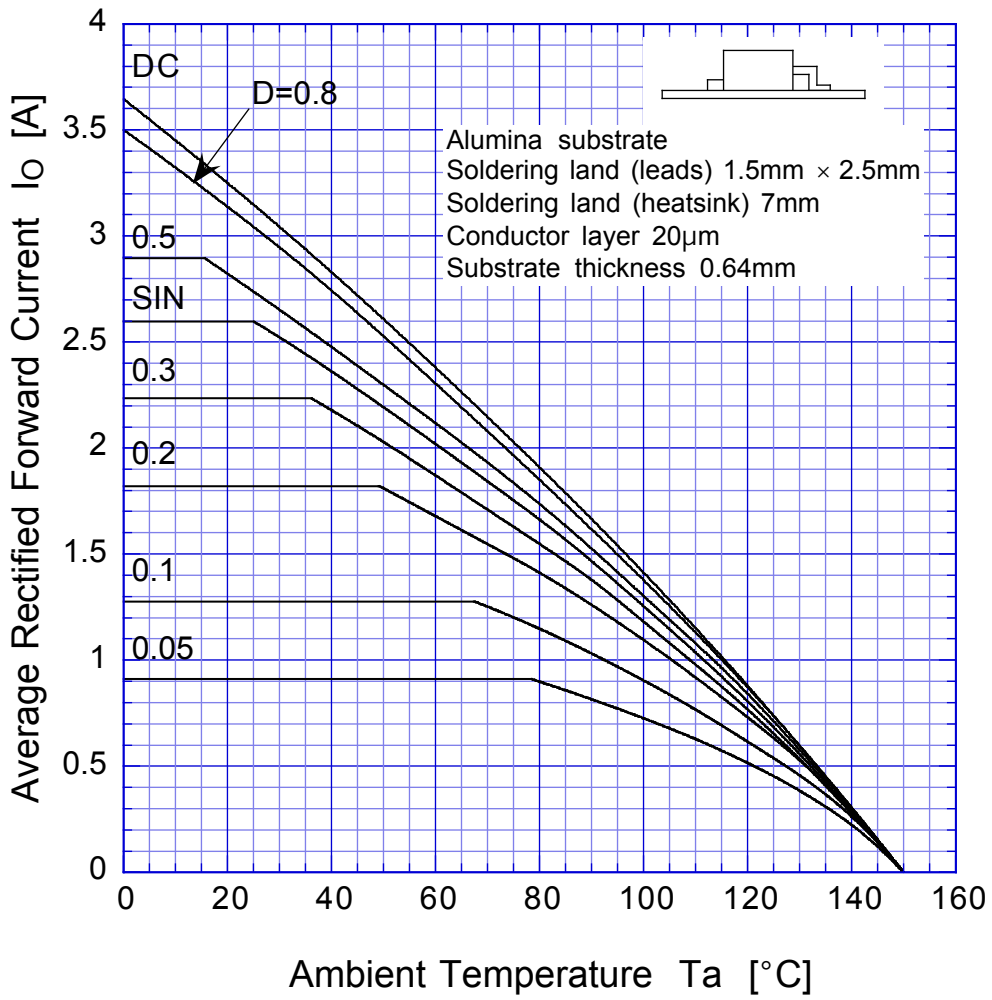


$T_j = T_{jmax}$

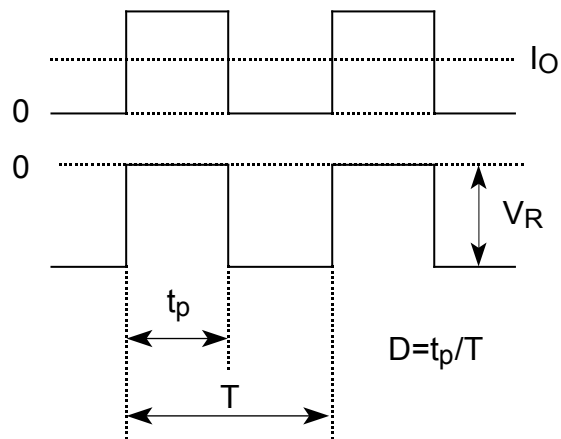


DE5LC20U

Derating Curve

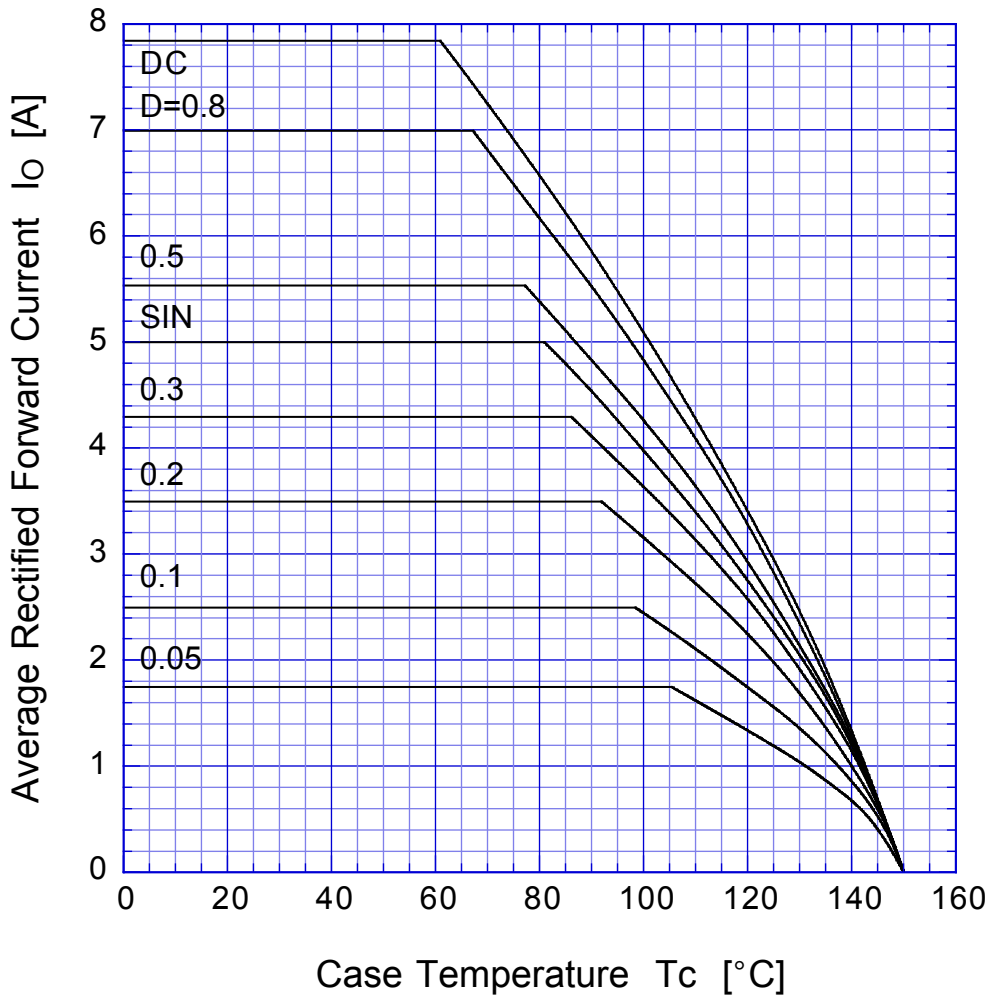


$$V_R = V_{RM}$$

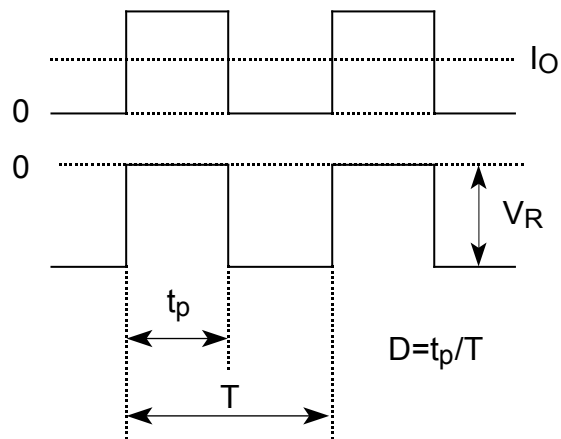


DE5LC20U

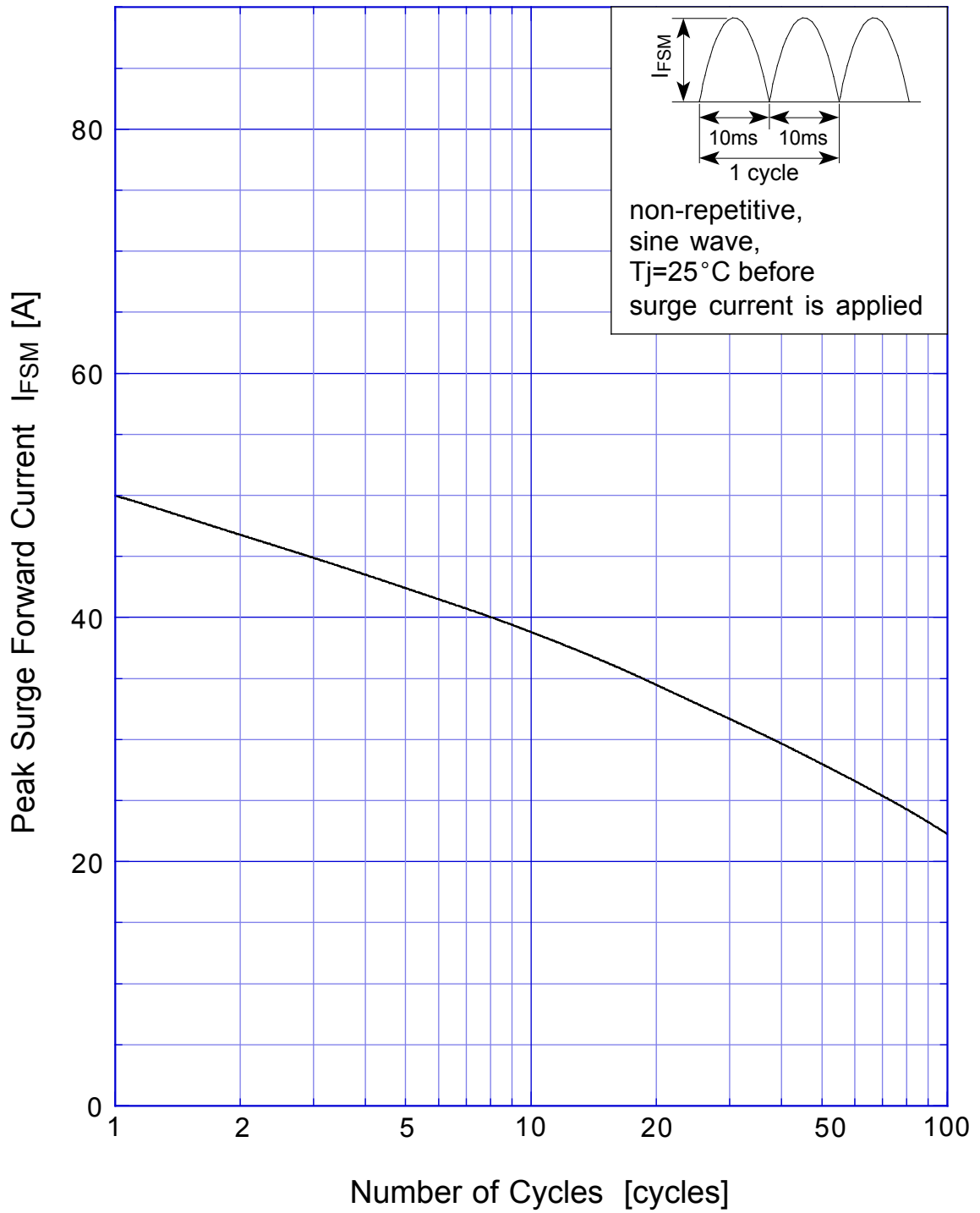
Derating Curve



$$V_R = V_{RM}$$



DE5LC20U Peak Surge Forward Capability



DE5LC20U Junction Capacitance

