

SHINDENGEN

Super Fast Recovery Rectifiers

Dual

DE5LC40

400V 5A

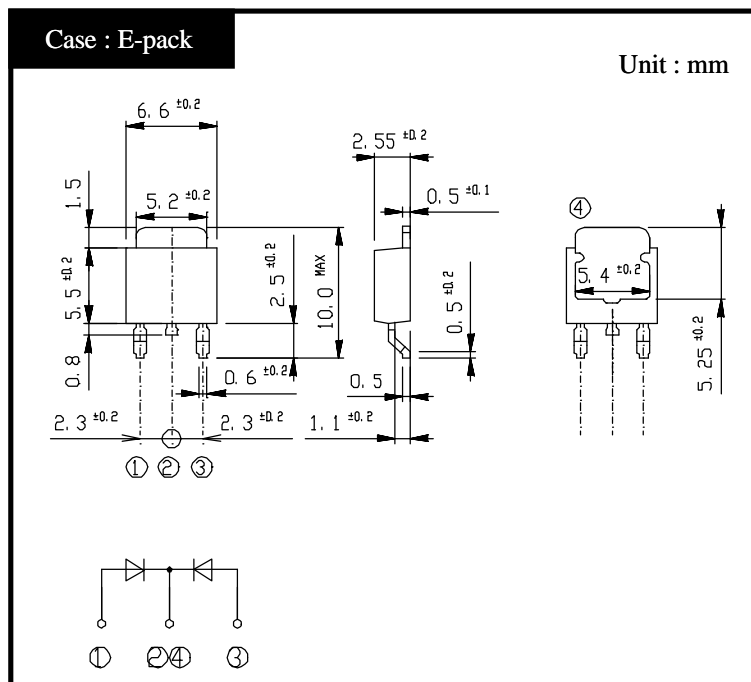
FEATURES

SMT
Low noise
trr50ns

APPLICATION

Switching power supply
DC/DC converter
Free Wheel
Home Appliances, Office Equipment
Telecommunication, Factory Automation

OUTLINE DIMENSIONS



RATINGS

Absolute Maximum Ratings (If not specified $T_c=25$)

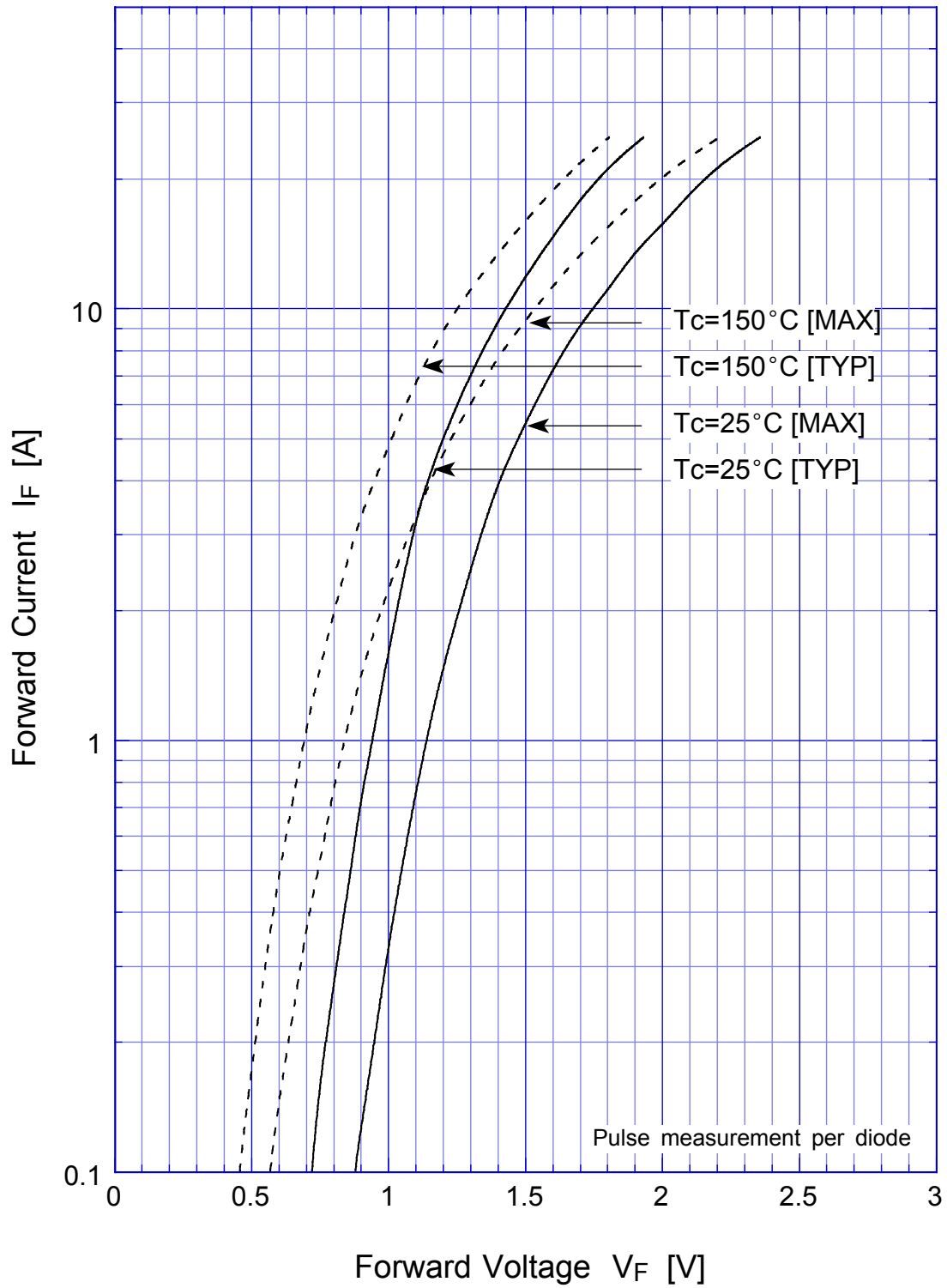
Item	Symbol	Conditions	Ratings	Unit
Storage Temperature	T_{stg}		-55 ~ 150	
Operating Junction Temperature	T_j		150	
Maximum Reverse Voltage	V_{RM}		400	V
Average Rectified Forward Current	I_o	50Hz sine wave, R-load, Rating for each diode $I_o/2$, $T_c=61$	5	A
Peak Surge Forward Current	I_{FSM}	50Hz sine wave, Non-repetitive 1 cycle peak value, $T_j=25$	50	A

Electrical Characteristics (If not specified $T_c=25$)

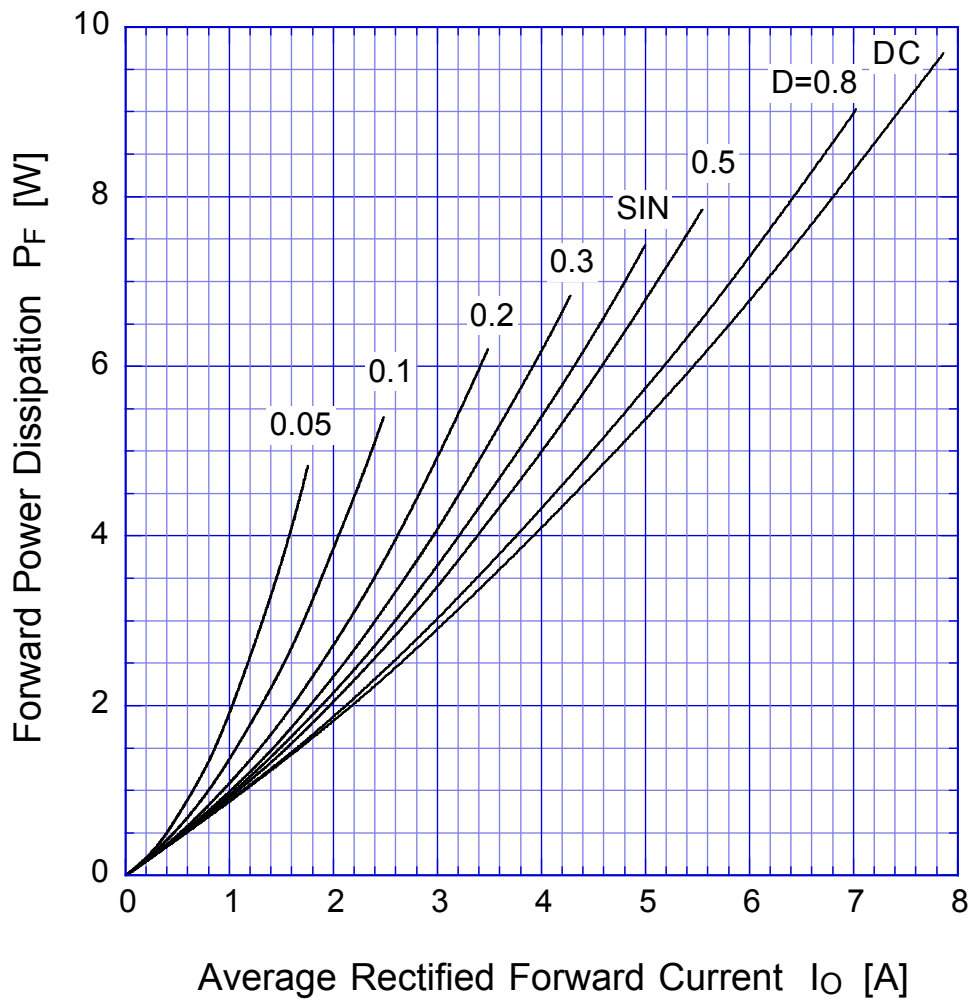
Item	Symbol	Conditions	Ratings	Unit
Forward Voltage	V_F	$I_F=2.5A$, Pulse measurement, Rating of per diode	Max.1.3	V
Reverse Current	I_R	$V_R=V_{RM}$, Pulse measurement, Rating of per diode	Max.10	μA
Reverse Recovery Time	trr	$I_F=0.5A$, $I_R=1A$, Rating of per diode	Max.50	ns
Thermal Resistance	j-c	junction to case	Max.12	/W
	j-a	junction to ambient	Max.55	/W

DE5LC40

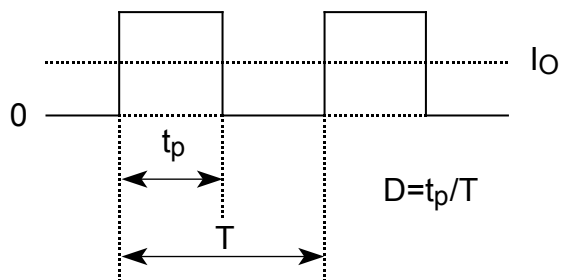
Forward Voltage



DE5LC40 Forward Power Dissipation

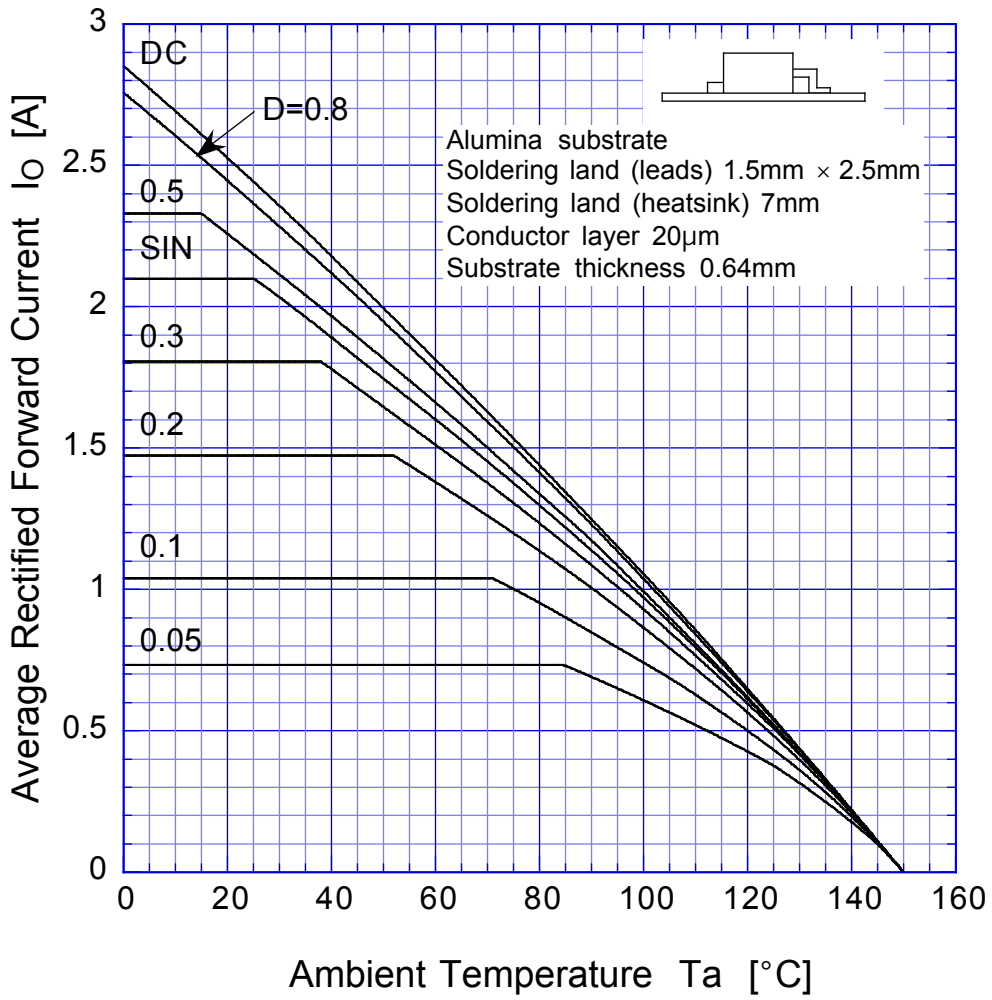


$T_j = 150^\circ\text{C}$



DE5LC40

Derating Curve

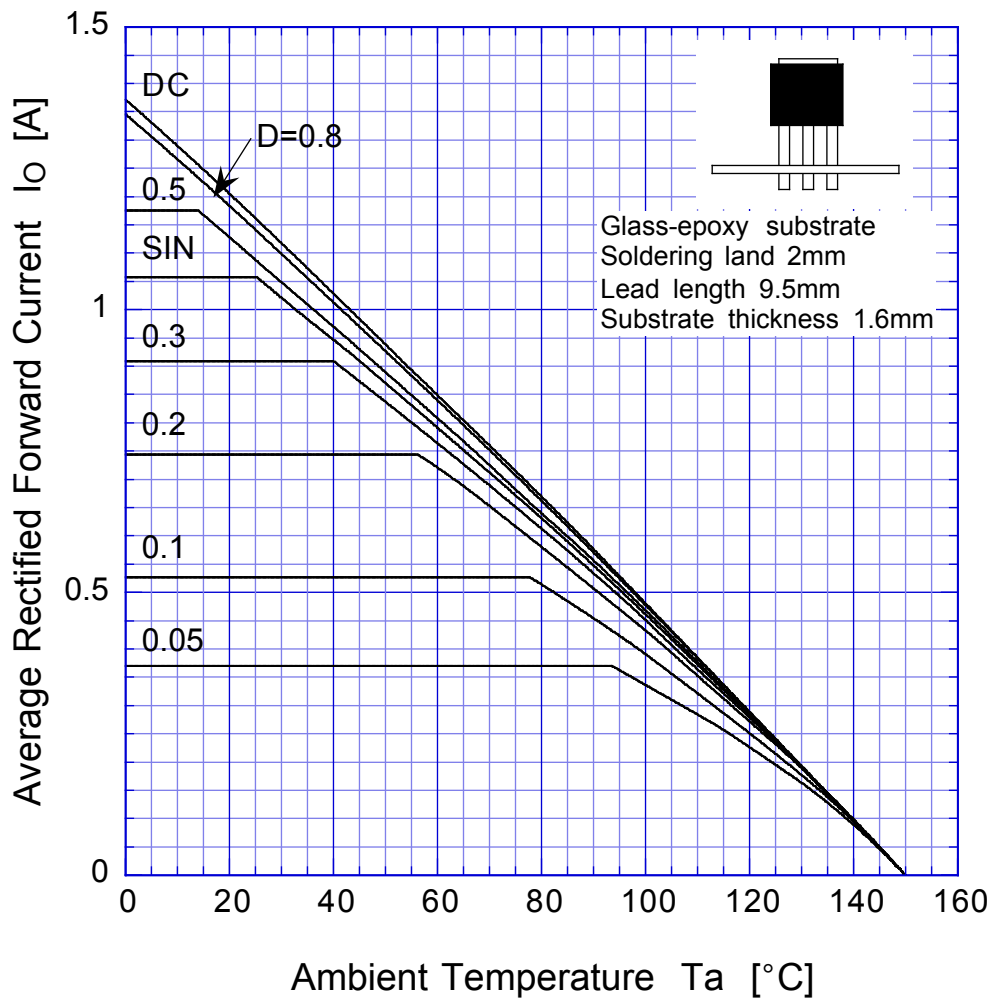


$$V_R = V_{RM}$$

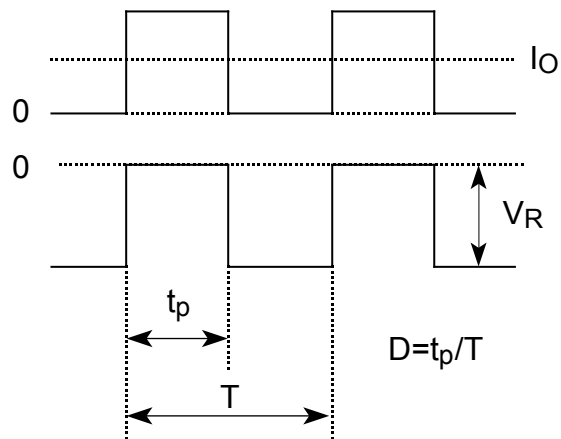


DE5LC40

Derating Curve

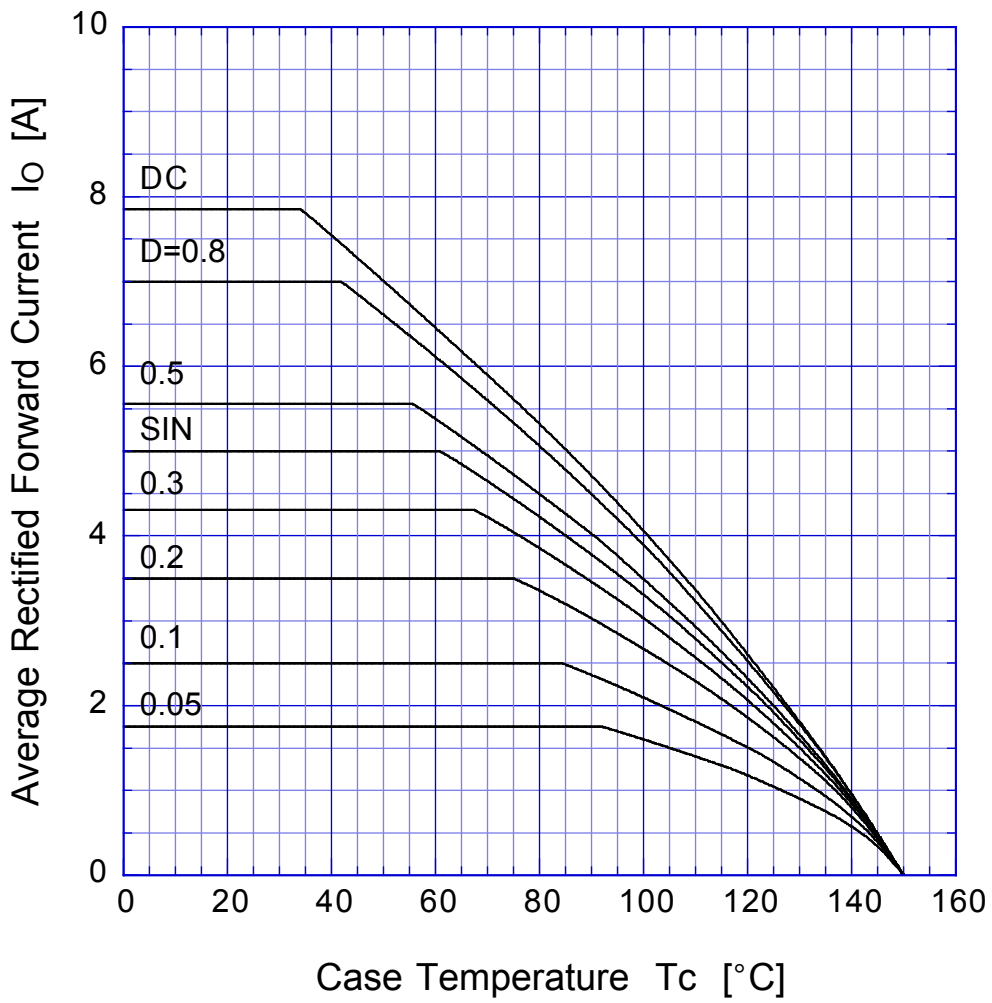


$$V_R = V_{RM}$$

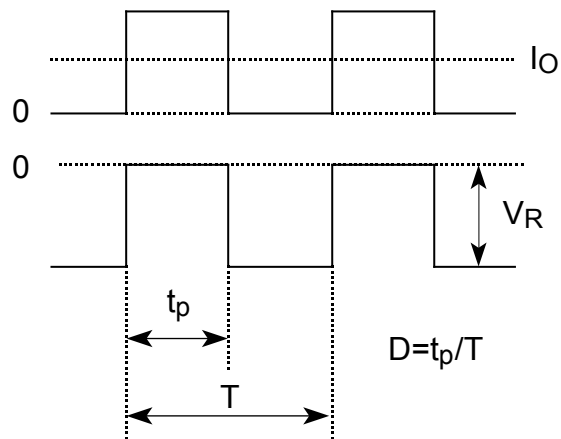


DE5LC40

Derating Curve

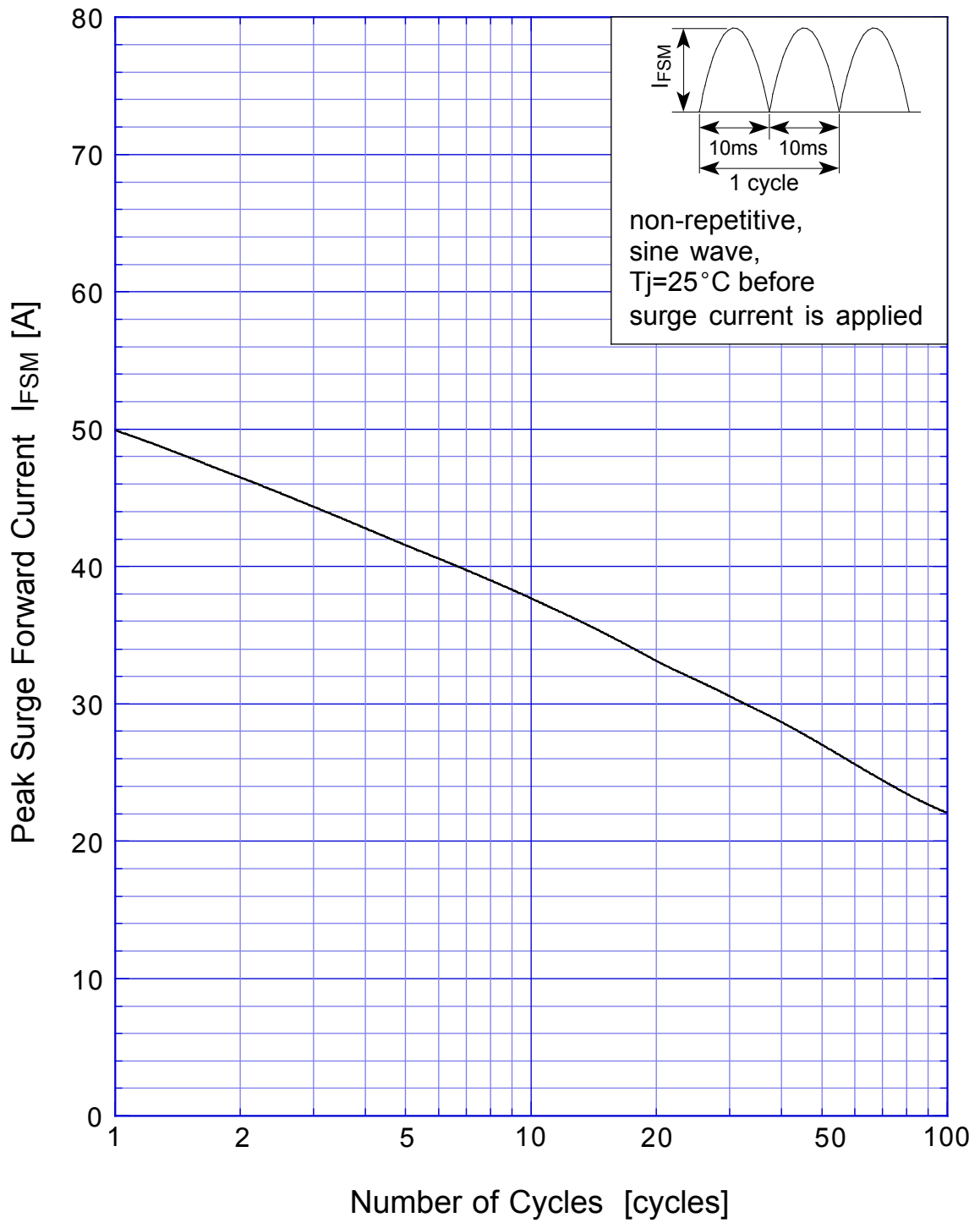


$$V_R = V_{RM}$$



DE5LC40

Peak Surge Forward Capability



DE5LC40 Junction Capacitance

