

SHINDENGEN

Super Fast Recovery Rectifiers

Dual

D10LC20UR

200V 10A

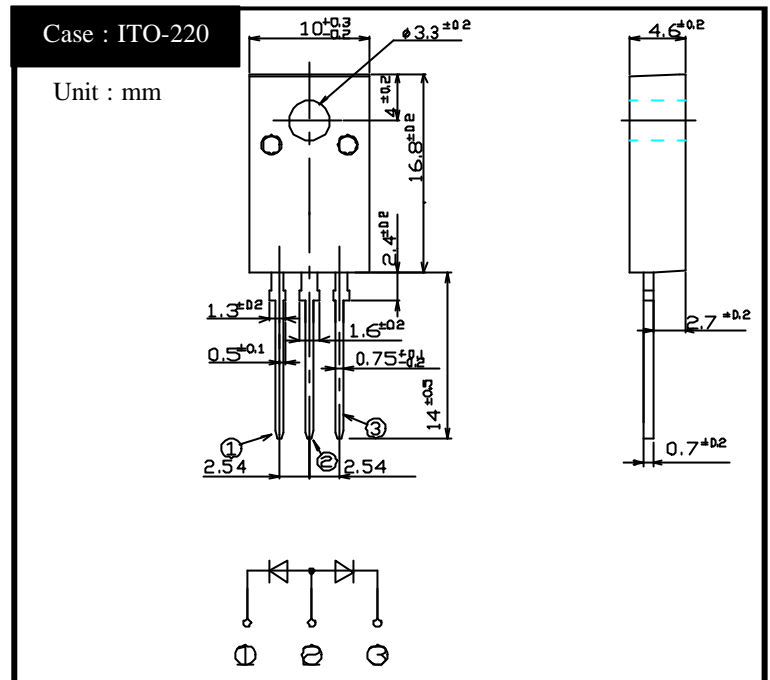
FEATURES

Low noise
trr35ns
Fully Isolated Molding

APPLICATION

Switching power supply
Free Wheel
Home Appliances, Office Equipment
Telecommunication, Factory Automation

OUTLINE DIMENSIONS



RATINGS

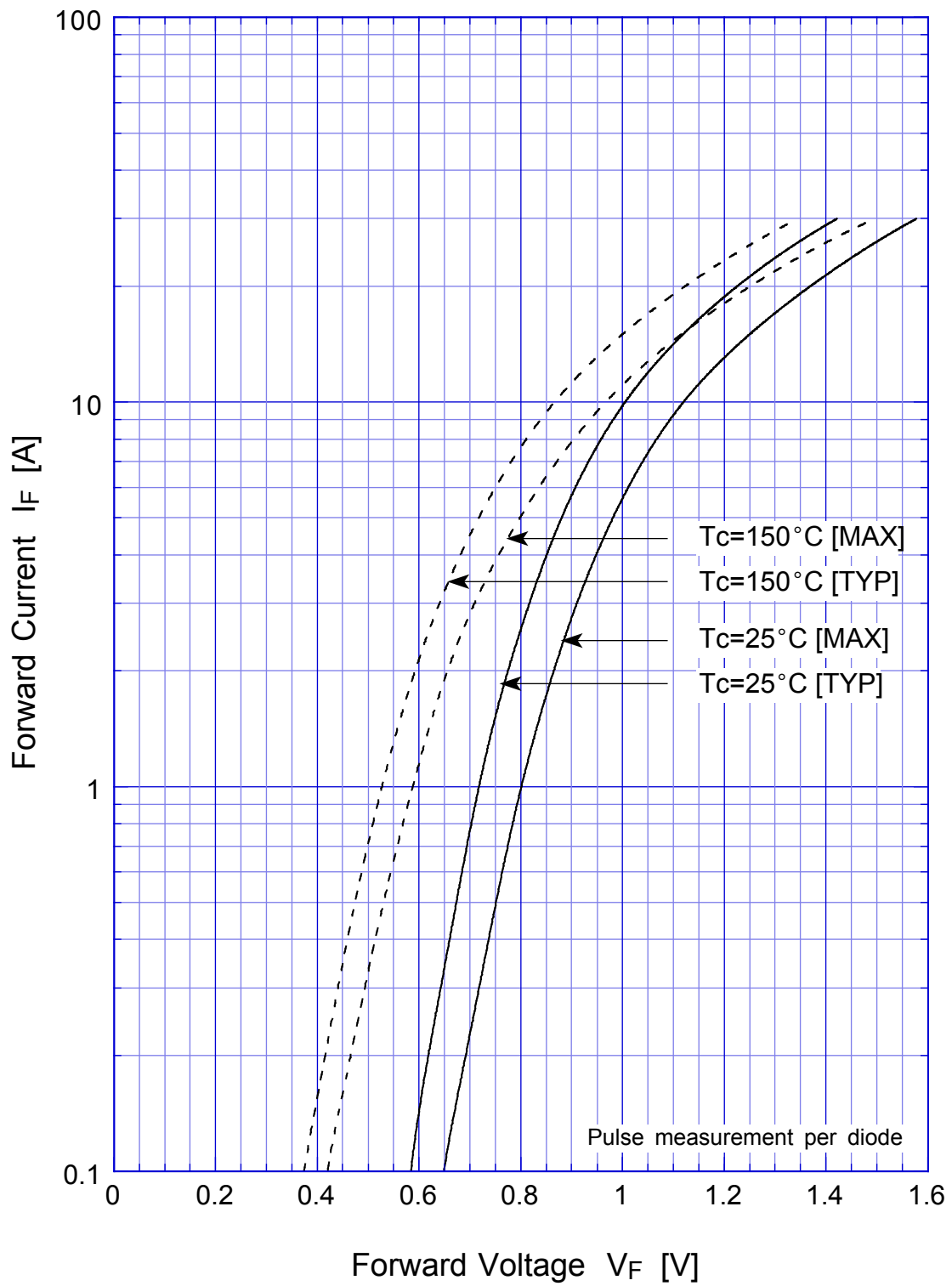
Absolute Maximum Ratings (If not specified Tc=25)

Item	Symbol	Conditions	Ratings	Unit
Storage Temperature	Tstg		-40 ~ 150	
Operating Junction Temperature	Tj		150	
Maximum Reverse Voltage	V _{RM}		200	V
Average Rectified Forward Current	I _O	50Hz sine wave, R-load, Rating for each diode I _O /2, Tc=114	10	A
Peak Surge Forward Current	I _{FSM}	50Hz sine wave, Non-repetitive 1 cycle peak value, Tj=25	80	A
Dielectric Strength	V _{dis}	Terminals to case, AC 1 minute	1.5	kV
Mounting Torque	TOR	(Recommended torque 0.3N·m)	0.5	N·m

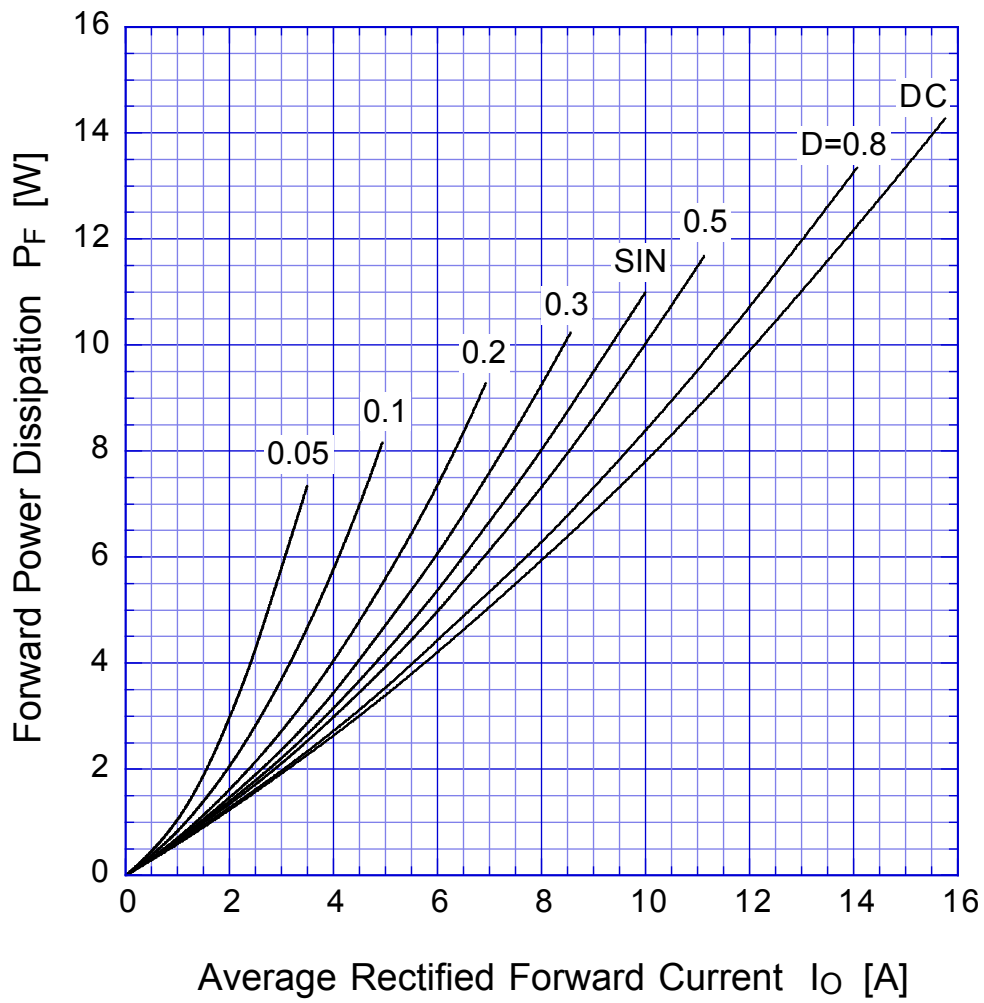
Electrical Characteristics (If not specified Tc=25)

Item	Symbol	Conditions	Ratings	Unit
Forward Voltage	V _F	I _F =5A, Pulse measurement, Rating of per diode	Max.0.98	V
Reverse Current	I _R	V _R =V _{RM} , Pulse measurement, Rating of per diode	Max.10	μA
Reverse Recovery Time	trr	I _F =0.5A, I _R =1A, Rating of per diode	Max.35	ns
Thermal Resistance	θ _{JC}	junction to case	Max.3.3	/W

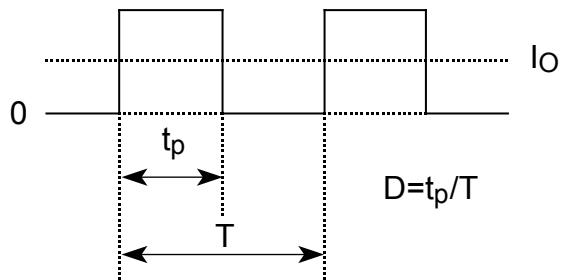
D10LC20UR Forward Voltage



D10LC20UR Forward Power Dissipation

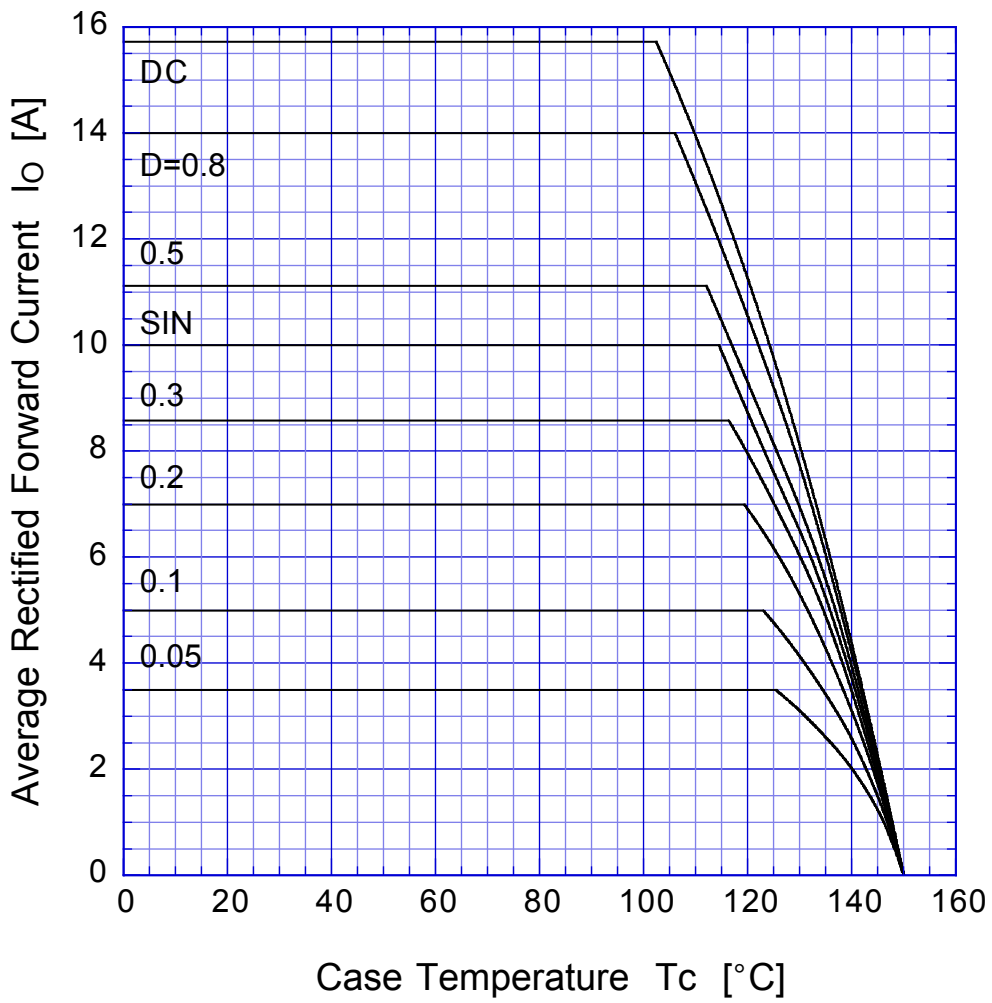


$T_j = T_{jmax}$

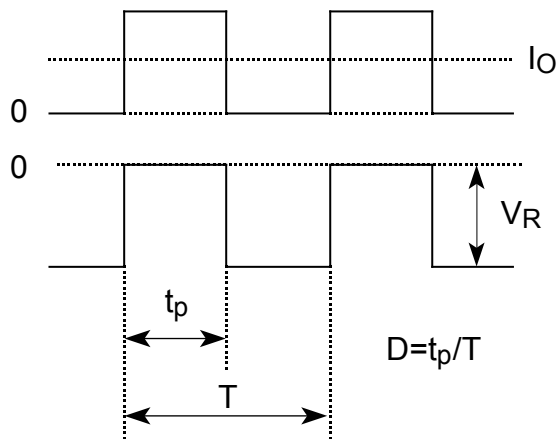


D10LC20UR

Derating Curve

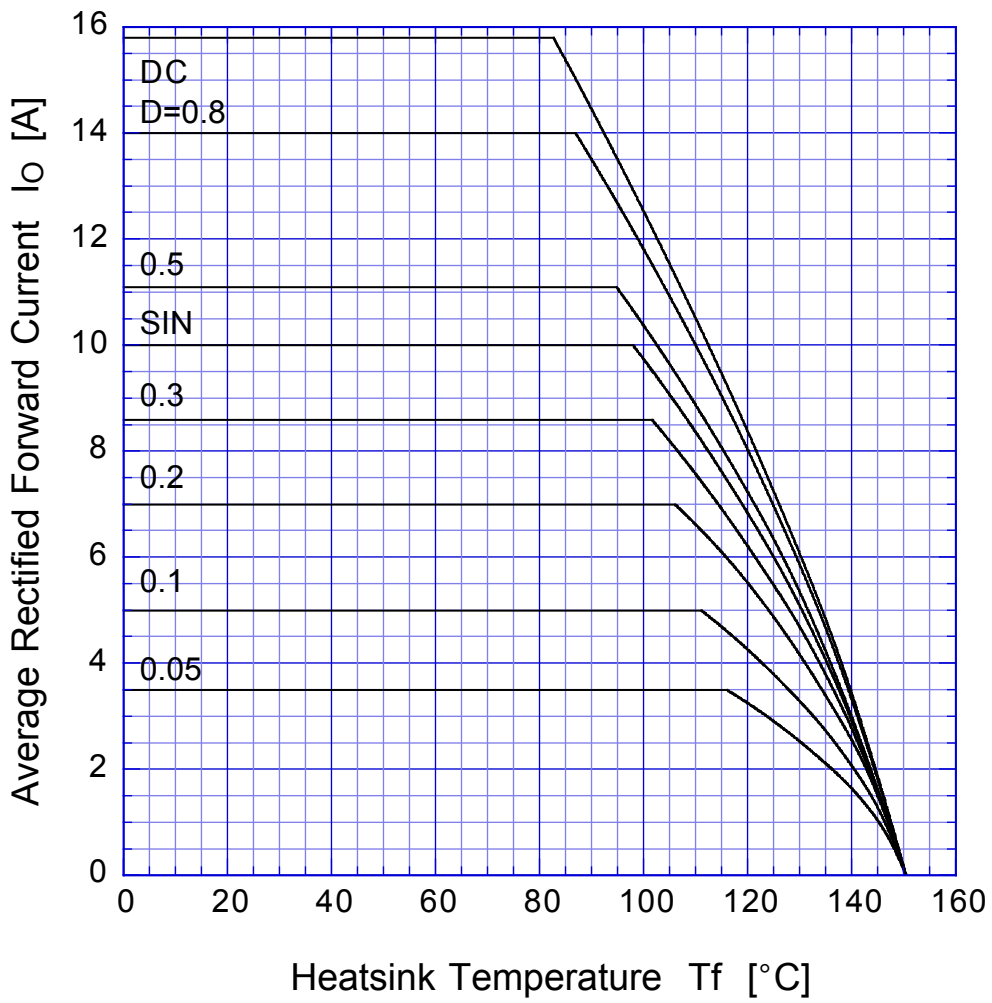


$$V_R = V_{RM}$$

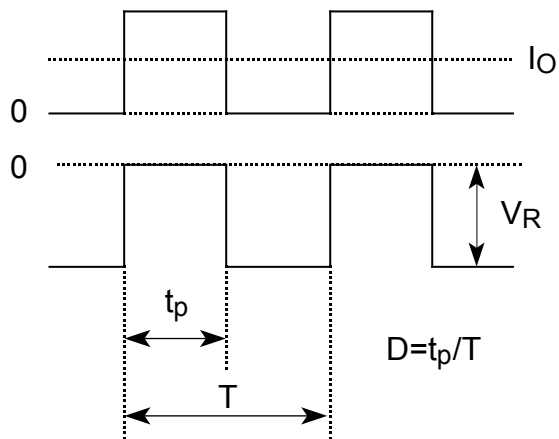


D10LC20UR

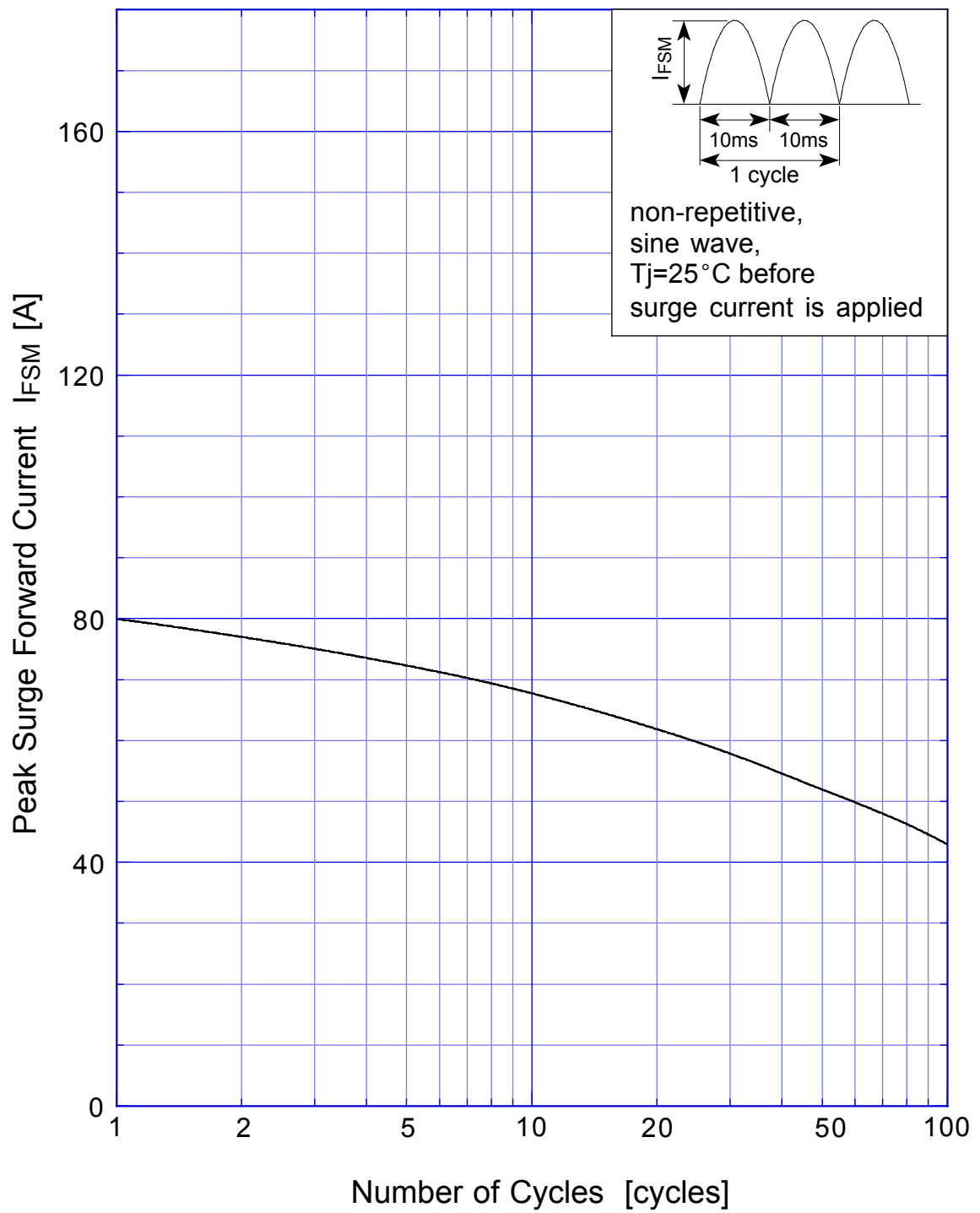
Derating Curve



$$V_R = V_{RM}$$



D10LC20UR Peak Surge Forward Capability



D10LC20UR Junction Capacitance

