

SHINDENGEN

Super Fast Recovery Rectifiers

Dual

S20LC40

400V 20A

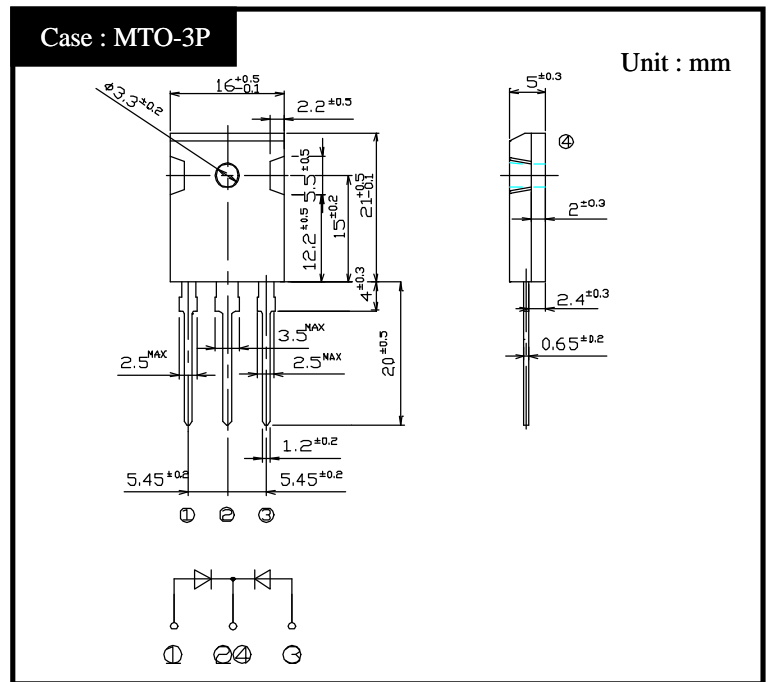
FEATURES

Low noise
trr50ns
Small jc

APPLICATION

Switching power supply
Free Wheel
Home Appliances, Office Equipment,
Factory Automation

OUTLINE DIMENSIONS



RATINGS

Absolute Maximum Ratings (If not specified $T_c=25$)

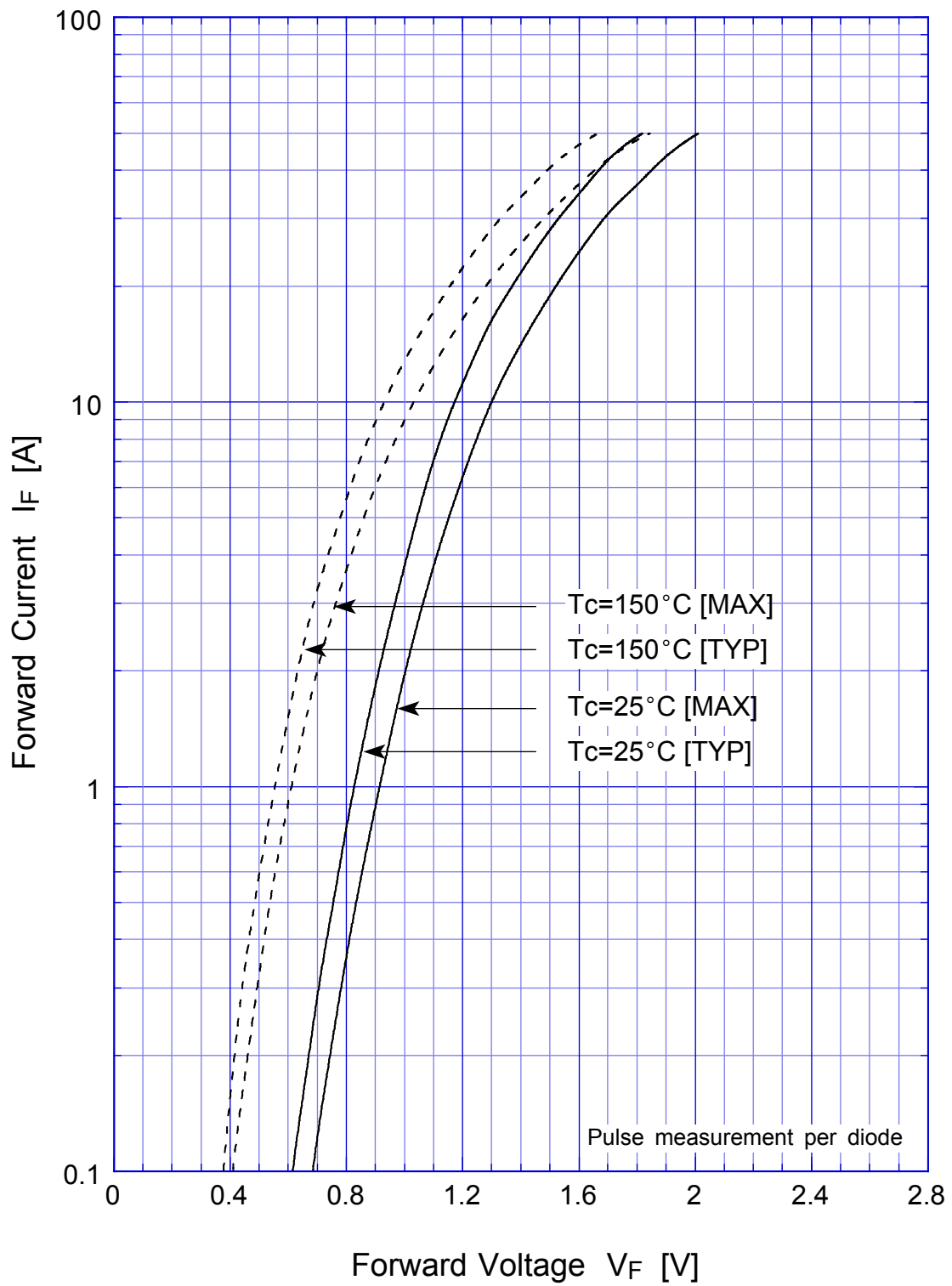
Item	Symbol	Conditions	Ratings	Unit
Storage Temperature	T_{stg}		-40 ~ 150	
Operating Junction Temperature	T_j		150	
Maximum Reverse Voltage	V_{RM}		400	V
Average Rectified Forward Current	I_o	50Hz sine wave, R-load, Rating for each diode $I_o/2$, $T_c=116$	20	A
Peak Surge Forward Current	I_{FSM}	50Hz sine wave, Non-repetitive 1 cycle peak value, $T_j=25$	120	A
Mounting Torque	TOR	(Recommended torque 0.5N·m)	0.8	N·m

Electrical Characteristics (If not specified $T_c=25$)

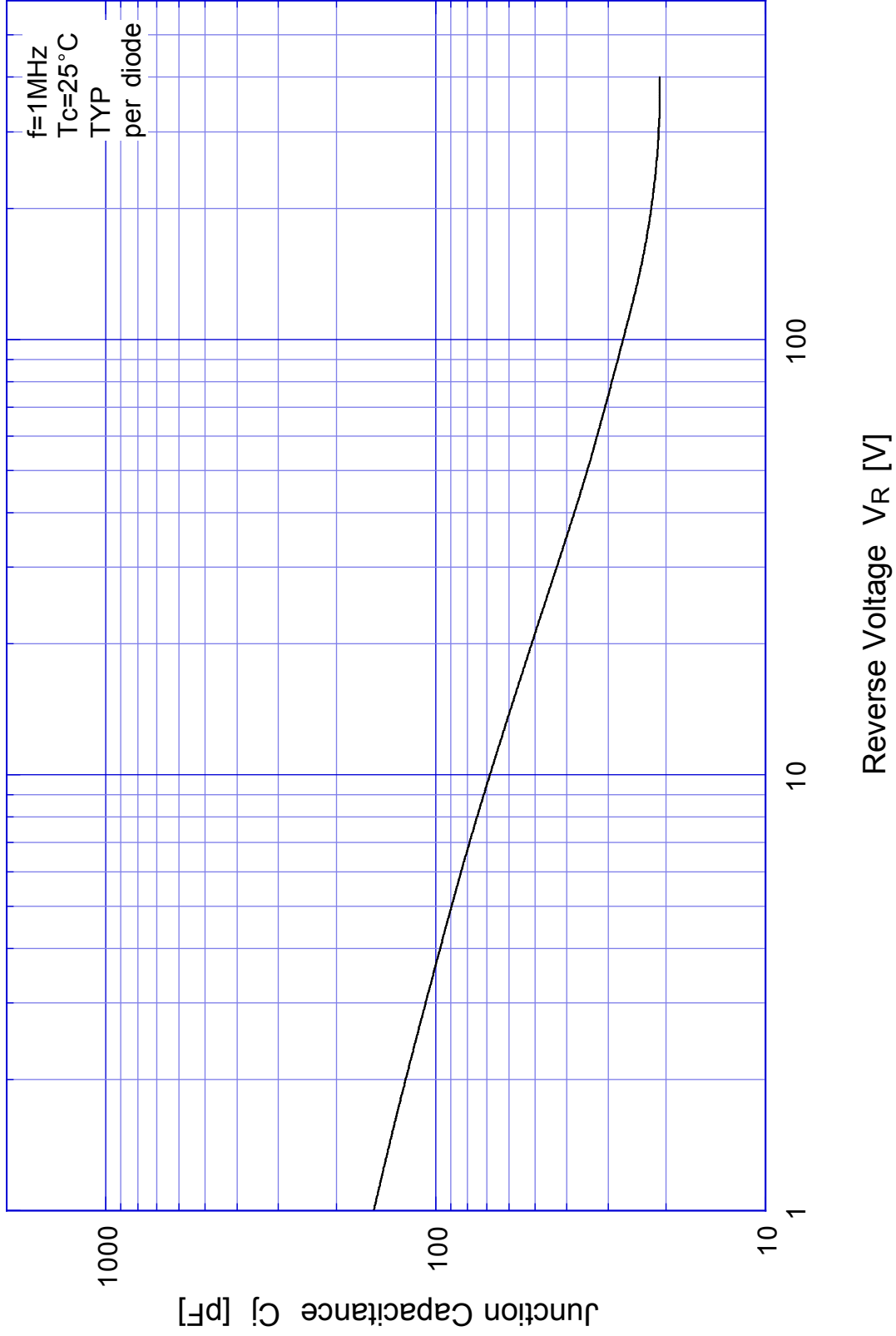
Item	Symbol	Conditions	Ratings	Unit
Forward Voltage	V_F	$I_F=10A$, Pulse measurement, Rating of per diode	Max.1.3	V
Reverse Current	I_R	$V_R=V_{RM}$, Pulse measurement, Rating of per diode	Max.10	μA
Reverse Recovery Time	trr	$I_F=0.5A$, $I_R=1A$, Rating of per diode	Max.50	ns
Thermal Resistance	jc	junction to case	Max.1.2	/W

S20LC40

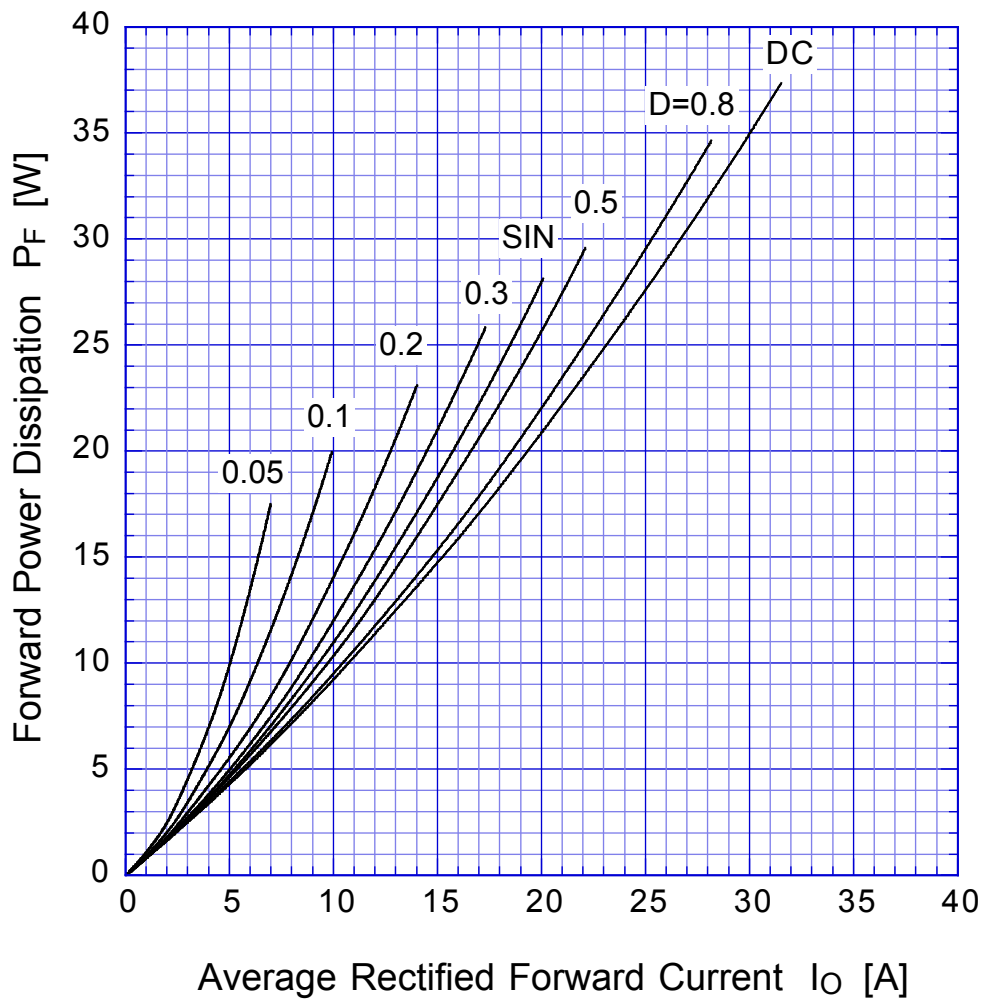
Forward Voltage



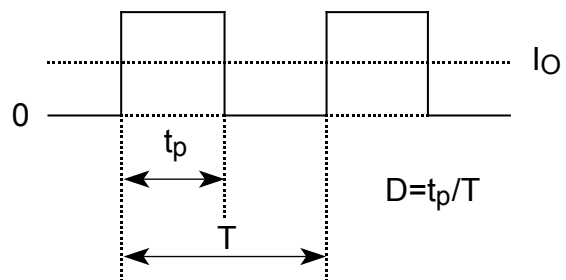
S20LC40 Junction Capacitance



S20LC40 Forward Power Dissipation

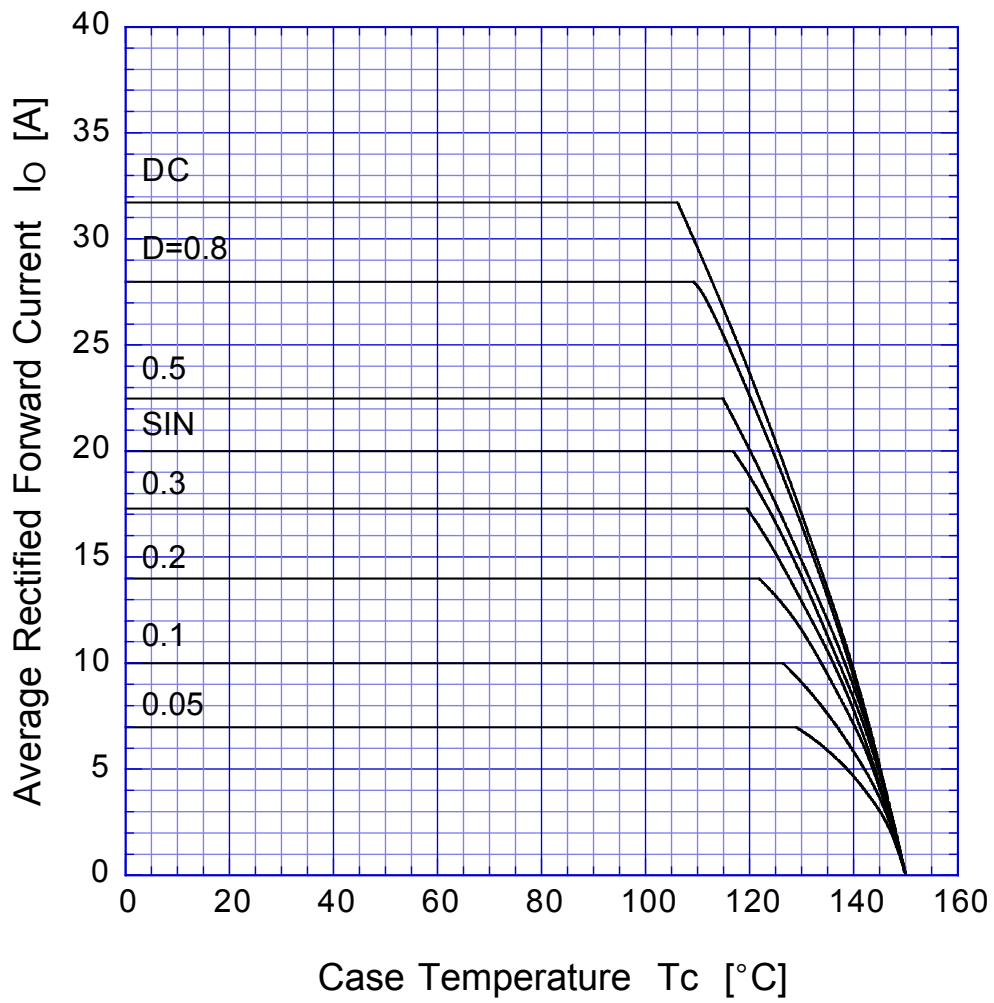


$T_j = T_{jmax}$



S20LC40

Derating Curve



$$V_R = V_{RM}$$



S20LC40

Peak Surge Forward Capability

