

SHINDENGEN

Super Fast Recovery Rectifiers

Single

S2L20U

200V 1.5A

FEATURES

- Low noise
- trr35ns
- Applicable to Automatic Insertion

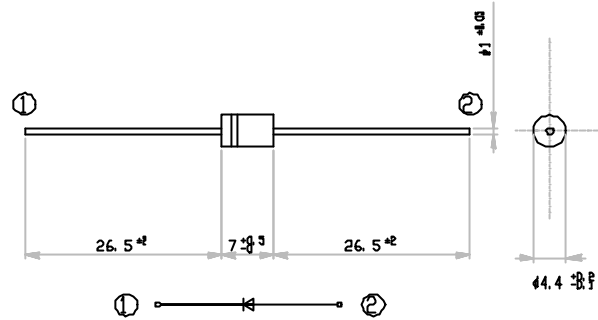
APPLICATION

- Switching power supply
- Free Wheel
- Home Appliances, Office Equipment
- Telecommunication, Factory Automation

OUTLINE DIMENSIONS

Case : AX10

(Unit : mm)



RATINGS

Absolute Maximum Ratings (If not specified Tl=25)

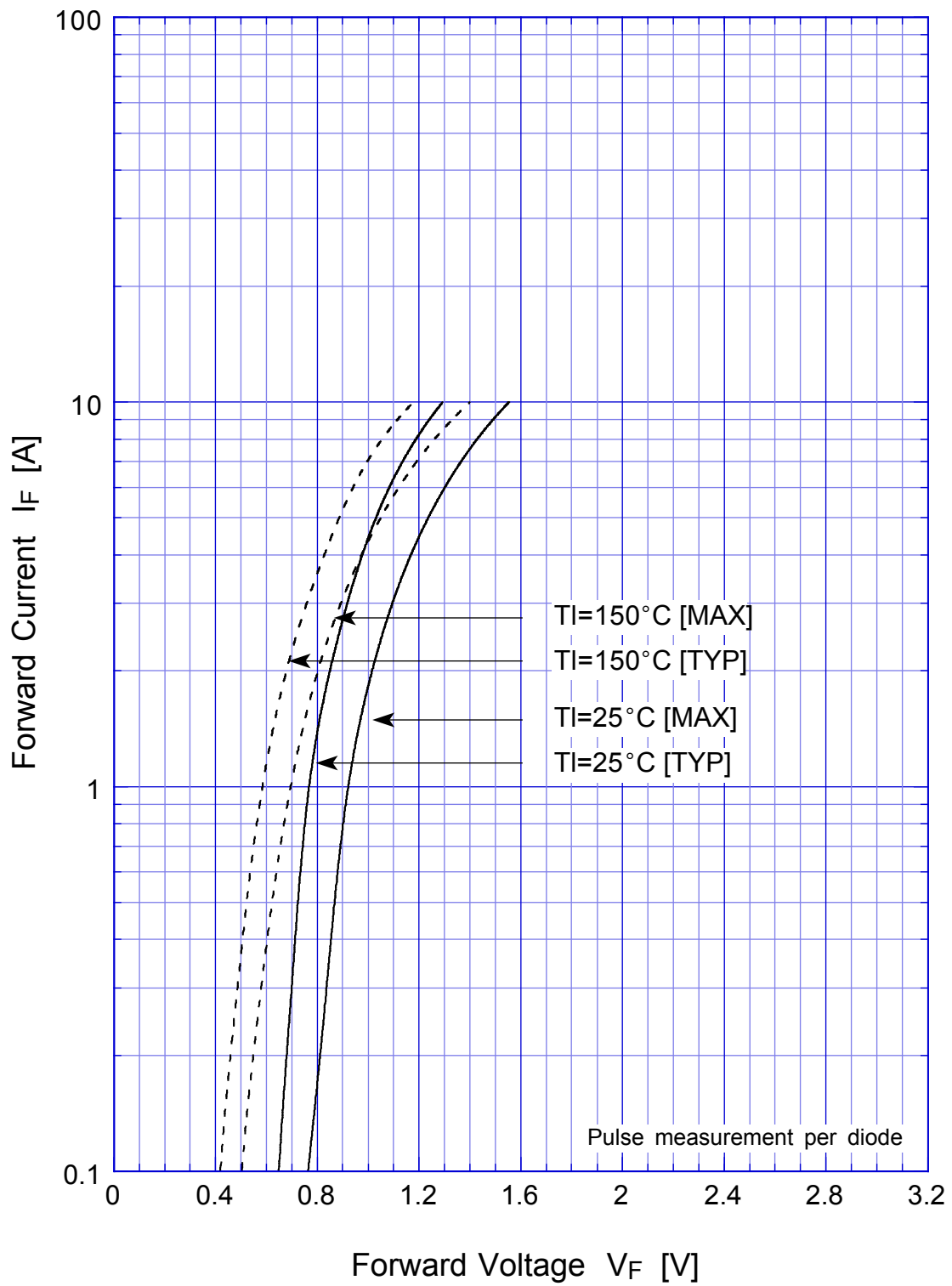
Item	Symbol	Conditions	Ratings	Unit
Storage Temperature	Tstg		-40 ~ 150	
Operating Junction Temperature	Tj		150	
Maximum Reverse Voltage	V _{RM}		200	V
Average Rectified Forward Current	I _O	50Hz sine wave, R-load, Ta=25	1.5	A
Peak Surge Forward Current	I _{FSM}	50Hz sine wave, Non-repetitive 1 cycle peak value, Tj=25	50	A

Electrical Characteristics (If not specified Tl=25)

Item	Symbol	Conditions	Ratings	Unit
Forward Voltage	V _F	I _F =1.5A, Pulse measurement	Max.0.98	V
Reverse Current	I _R	V _R =V _{RM} , Pulse measurement	Max.10	μA
Reverse Recovery Time	trr	I _F =0.5A, I _R =1A	Max.35	ns
Thermal Resistance	θ _j	junction to lead	Max.12	/W
	θ _a	junction to ambient	Max.83	

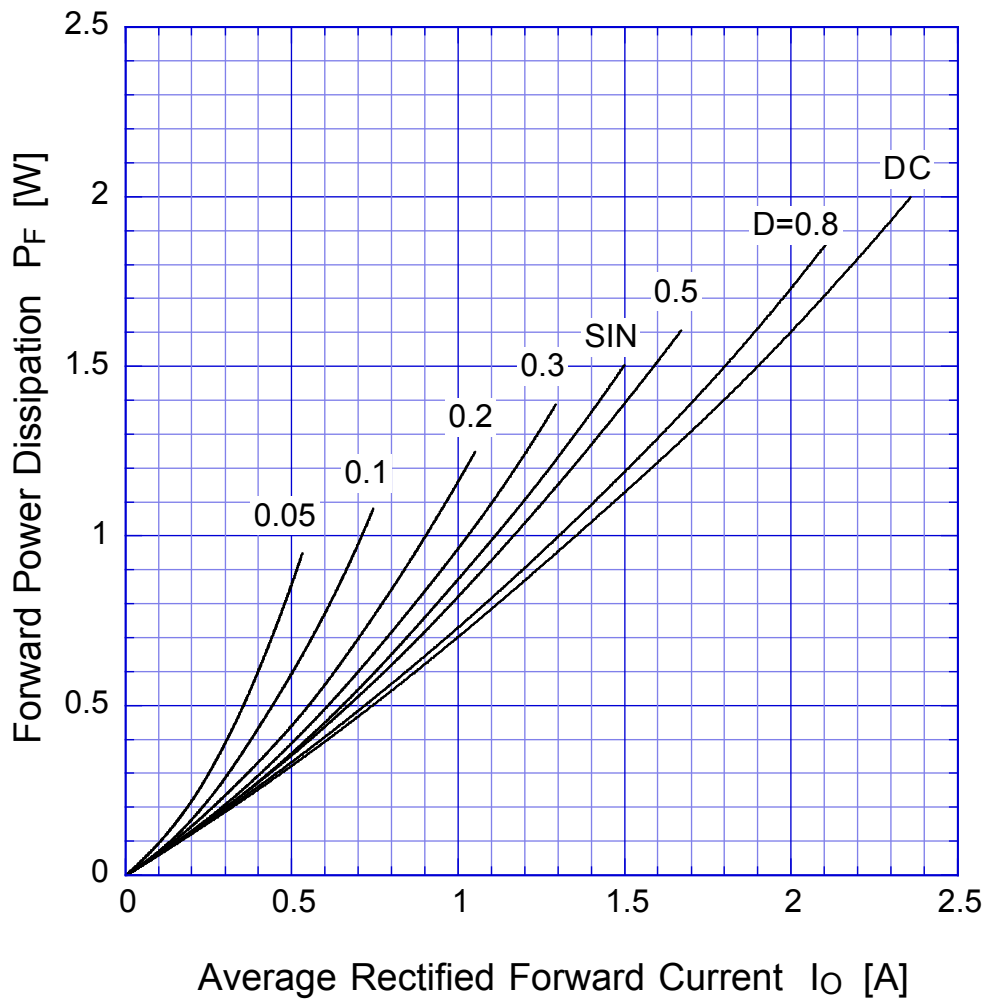
S2L20U

Forward Voltage

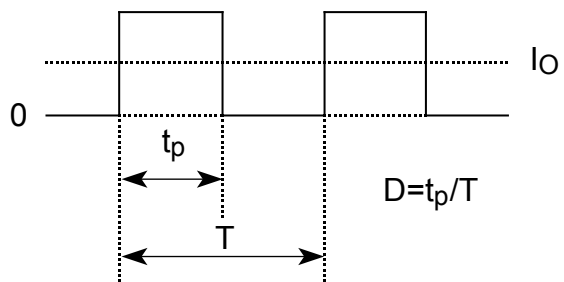


S2L20U

Forward Power Dissipation

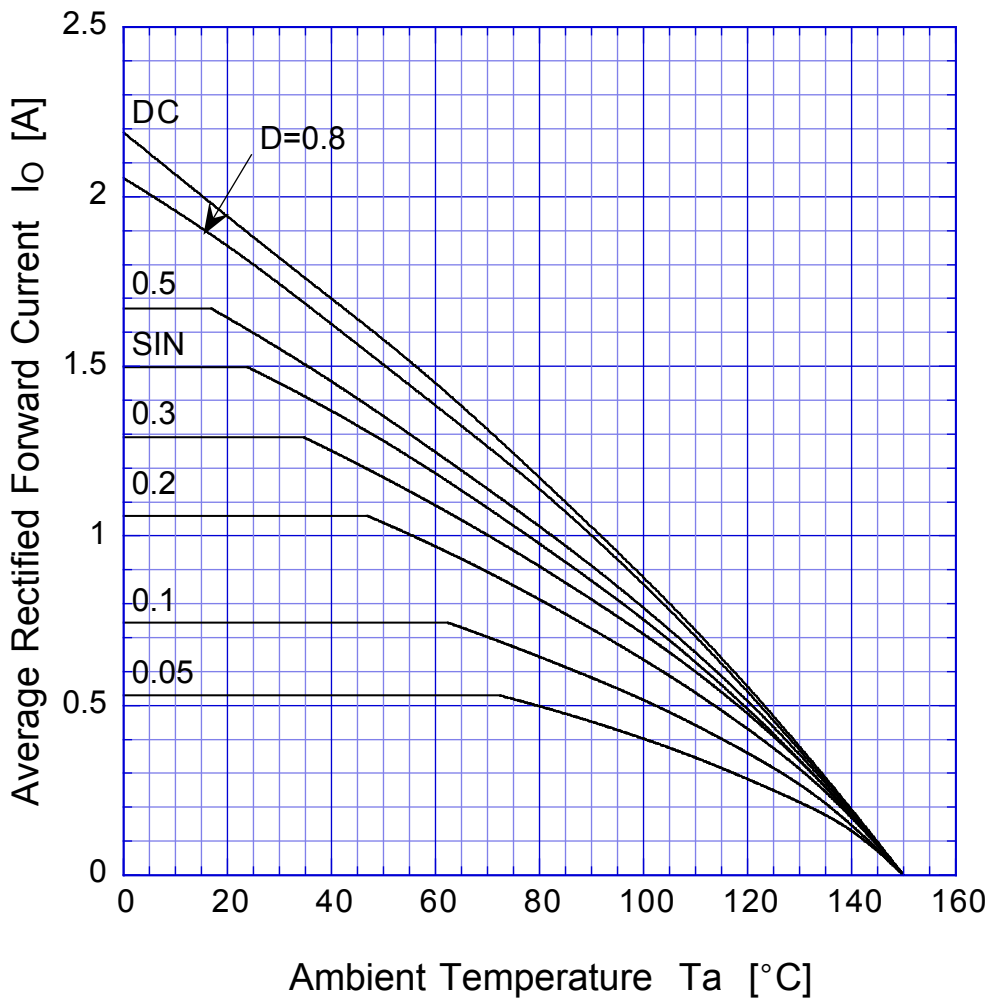


$T_j = T_{jmax}$



S2L20U

Derating Curve

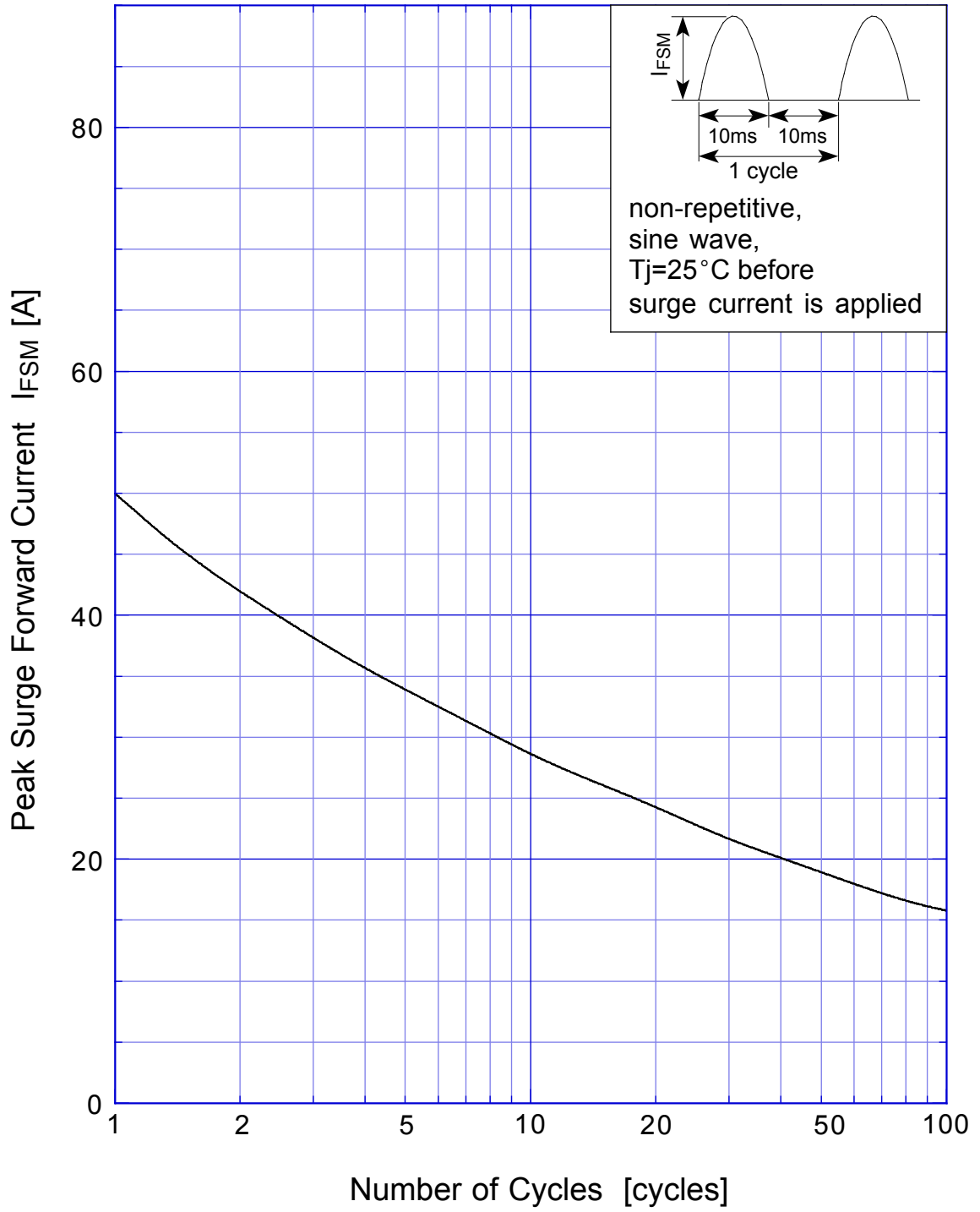


$$V_R = V_{RM}$$



S2L20U

Peak Surge Forward Capability



S2L20U Junction Capacitance

