

SHINDENGEN

General Purpose Rectifiers

DIL Bridges

S1YB60

600V 0.4A

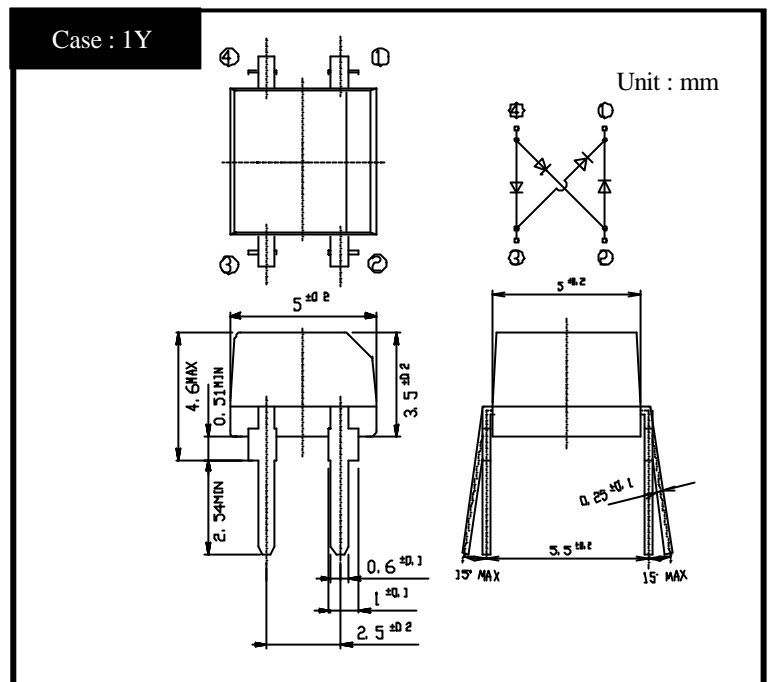
FEATURES

Small Dual In-Line(:DIL) Package
 High reliability with superior
 moisture resistance
 Applicable to Automatic Insertion

APPLICATION

Switching power supply
 Home Appliances, Office Equipment
 Telecommunication, Factory Automation

OUTLINE DIMENSIONS



RATINGS

Absolute Maximum Ratings (If not specified $T_I=25$)

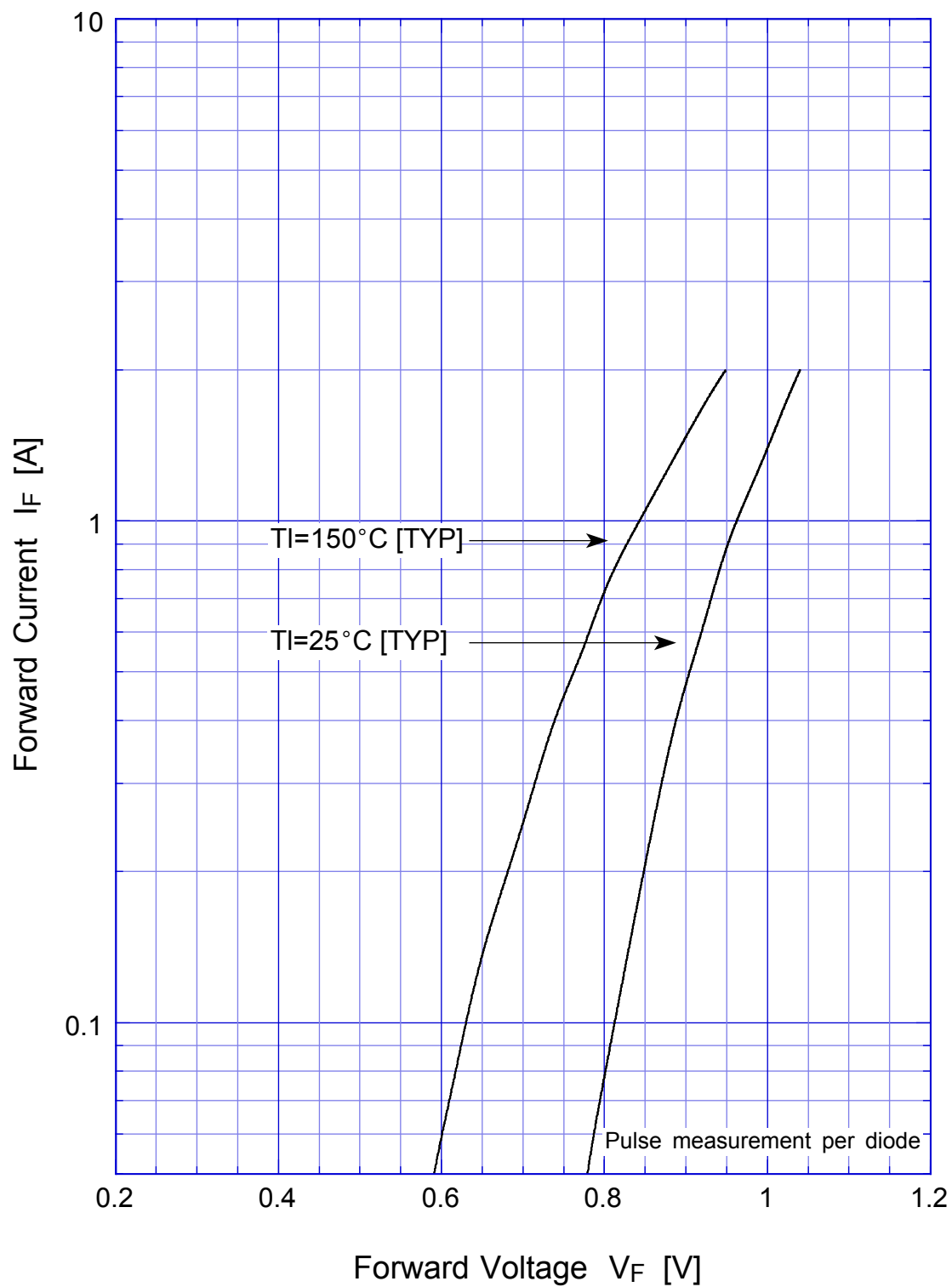
Item	Symbol	Conditions	Ratings	Unit
Storage Temperature	T_{stg}		-40 ~ 150	
Operating Junction Temperature	T_j		150	
Maximum Reverse Voltage	V_{RM}		600	V
Average Rectified Forward Current	I_O	50Hz sine wave, R-load $T_a=40$	0.4	A
Peak Surge Forward Current	I_{FSM}	50Hz sine wave, Non-repetitive 1 cycle peak value, $T_j=25$	30	A
Current Squared Time	I^2t	1ms $t < 10ms$ $T_j=25$	4.5	A^2s

Electrical Characteristics (If not specified $T_I=25$)

Item	Symbol	Conditions	Ratings	Unit
Forward Voltage	V_F	$I_F=0.2A$, Pulse measurement, Rating of per diode	Max.1.05	V
Reverse Current	I_R	$V_R=V_{RM}$, Pulse measurement, Rating of per diode	Max.10	μA
Thermal Resistance	θ_{jl}	junction to lead	Max.20	/W
	θ_{ja}	junction to ambient	Max.150	

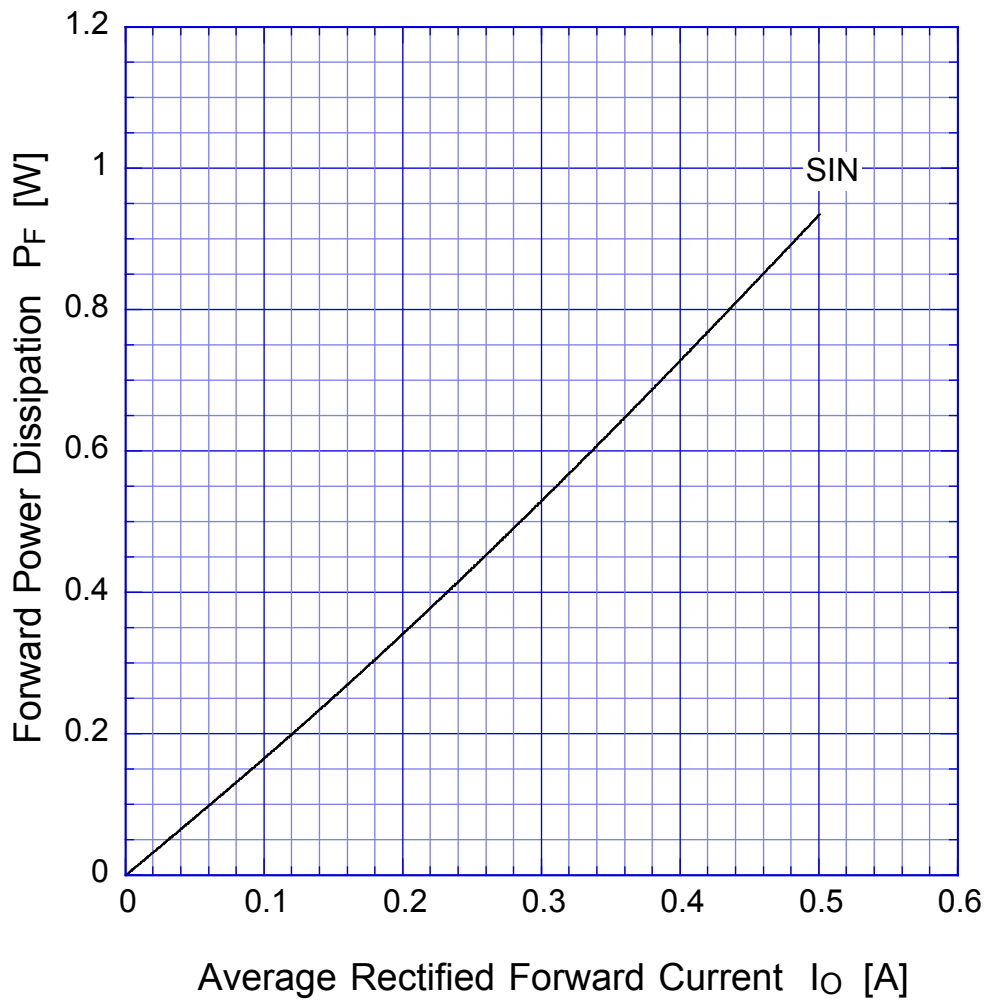
S1YBx

Forward Voltage



S1YBx

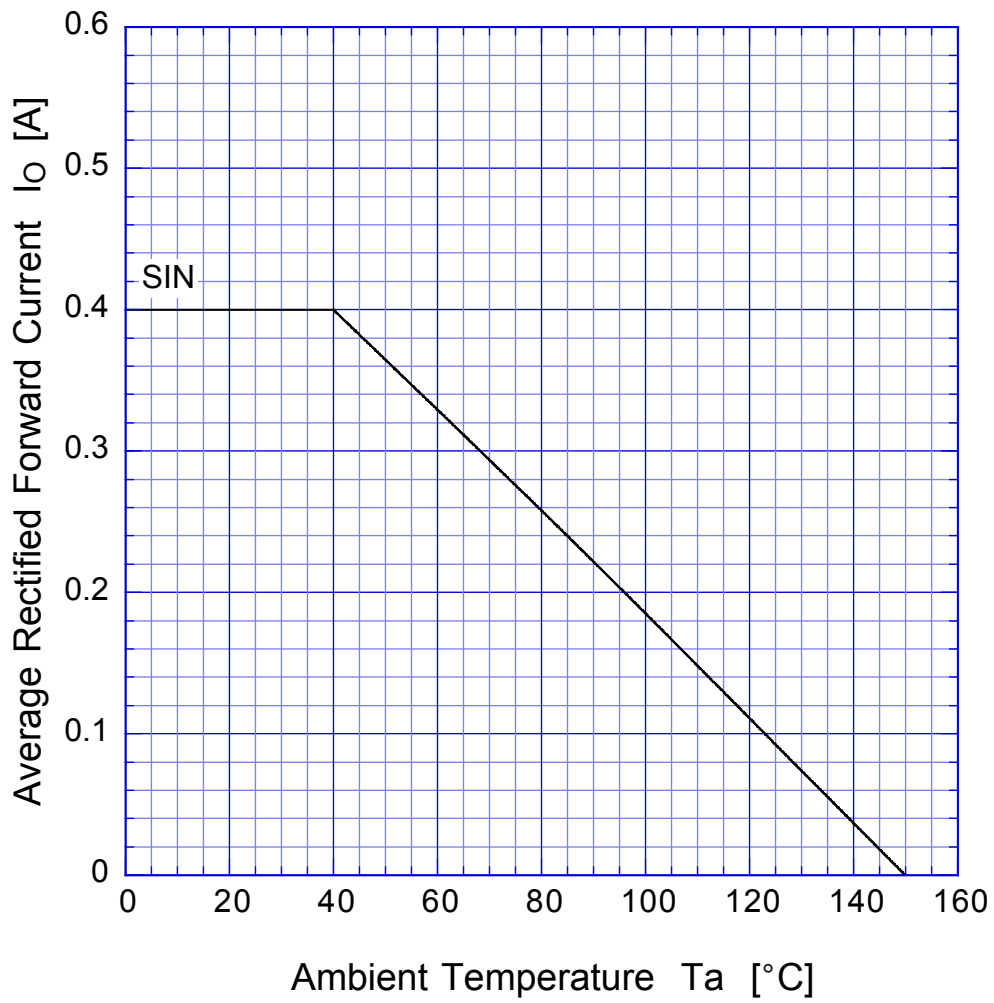
Forward Power Dissipation



$T_j = 150^\circ\text{C}$
Sine wave

S1YBx

Derating Curve



Sine wave
R-load
Free in air

S1YBx

Peak Surge Forward Capability

