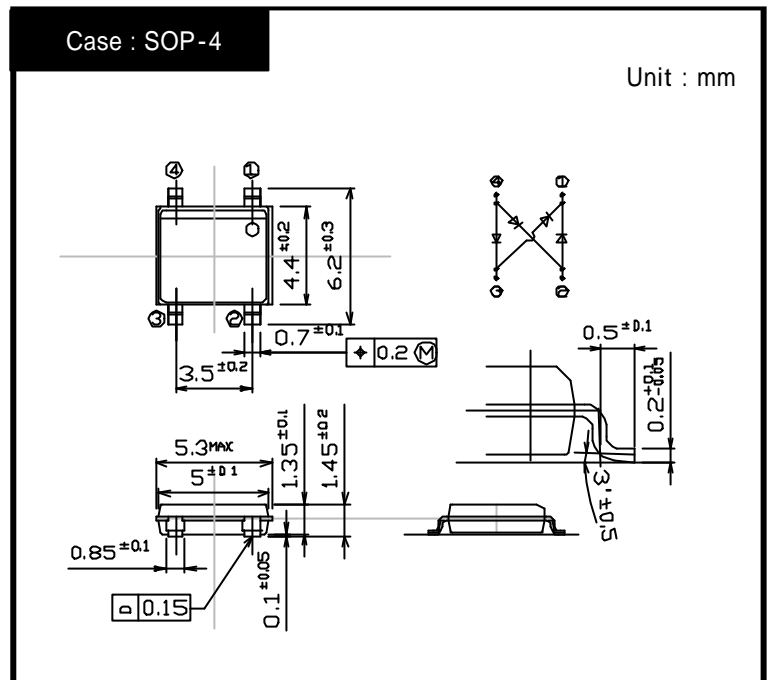


# D1UB80

## 800V 1A

### OUTLINE DIMENSIONS



### RATINGS

Absolute Maximum Ratings (If not specified Tc=25 )

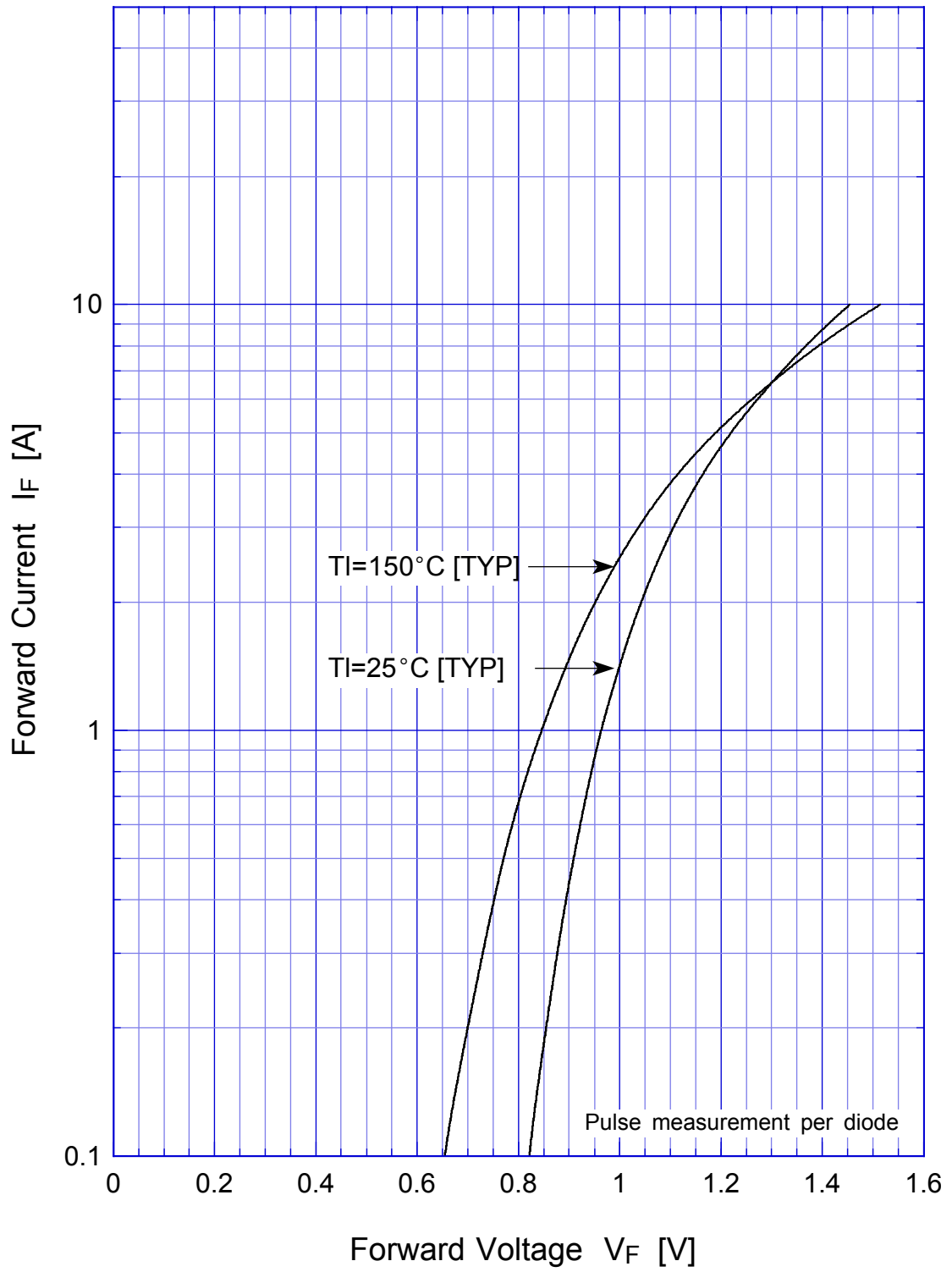
Item	Symbol	Conditions	Ratings	Unit
Storage Temperature	Tstg		-55 ~ 150	
Operating Junction Temperature	Tj		150	
Maximum Reverse Voltage	V <sub>RM</sub>		800	V
Average Rectified Forward Current	I <sub>O</sub>	50Hz sine wave, R-load, Ta=25	1	A
Peak Surge Forward Current	I <sub>FSM</sub>	50Hz sine wave, Non-repetitive 1 cycle peak value, Tj=25	30	A
Current Squared Time	I <sup>2</sup> <sub>t</sub>	1ms < t < 10ms Tj=25	3	A <sup>2</sup> s

Electrical Characteristics (If not specified Tc=25 )

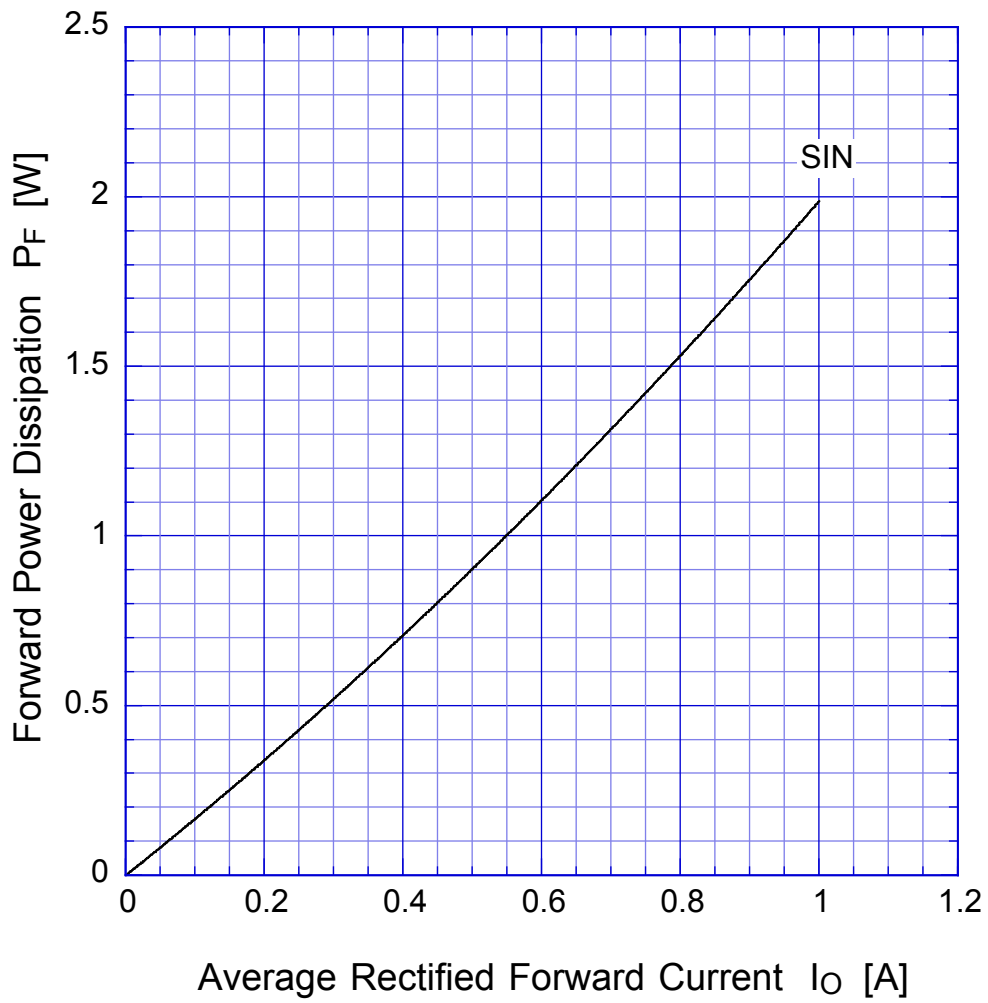
Item	Symbol	Conditions	Ratings	Unit
Forward Voltage	V <sub>F</sub>	I <sub>F</sub> =0.4A, Pulse measurement, Rating of per diode	Max.0.95	V
Reverse Current	I <sub>R</sub>	V <sub>R</sub> =800v, Pulse measurement, Rating of per diode	Max.10	μA
Thermal Resistance	j-l	junction to lead Without heatsink	Max.25	/W
	j-a	junction to ambient Without heatsink	Max.62.5	

# D1UB80

## Forward Voltage



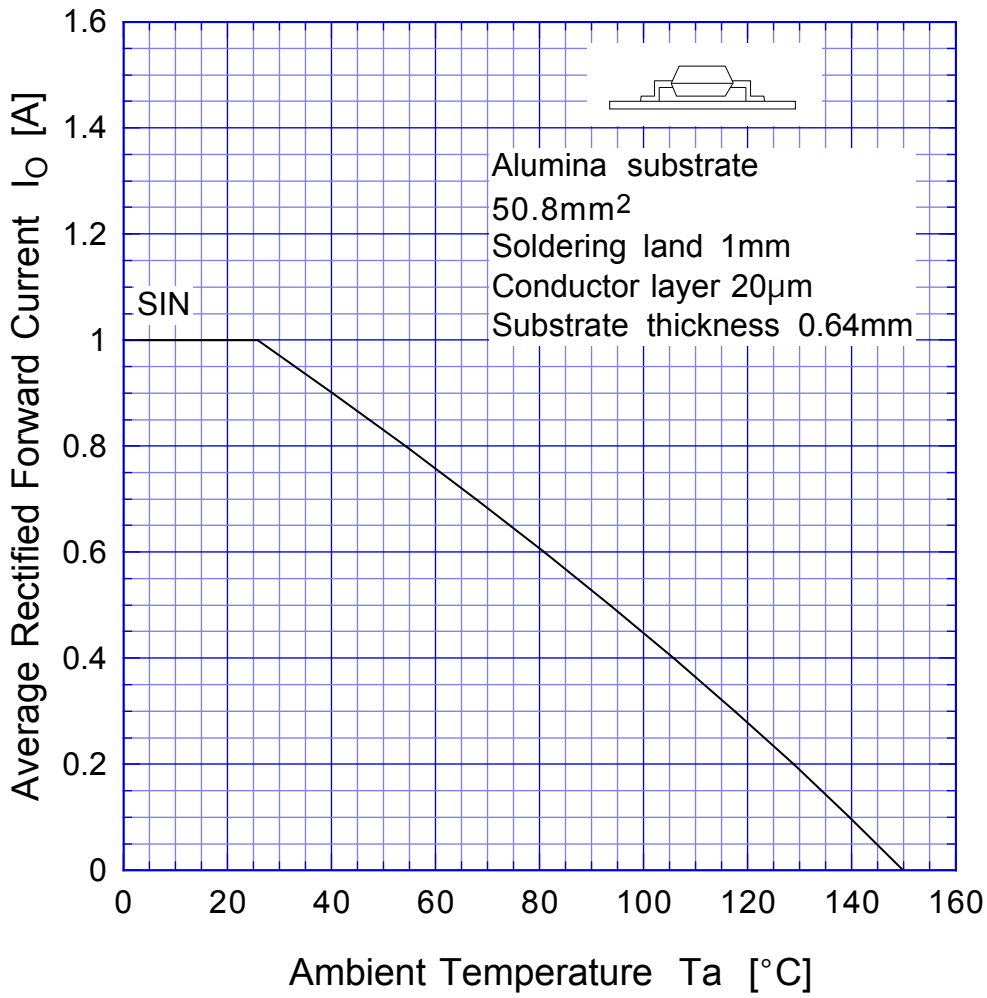
# D1UB80 Forward Power Dissipation



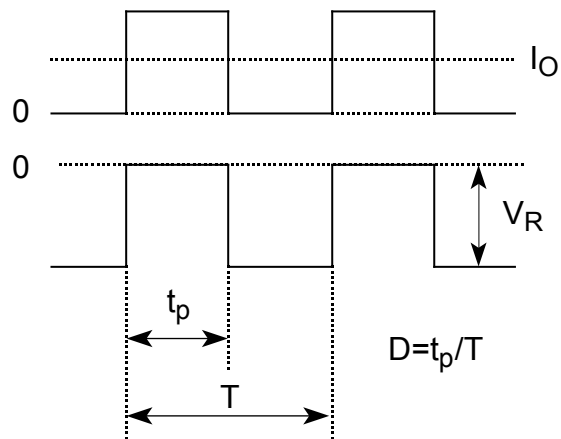
$T_j = 150^\circ\text{C}$   
Sine wave

# D1UB80

# Derating Curve

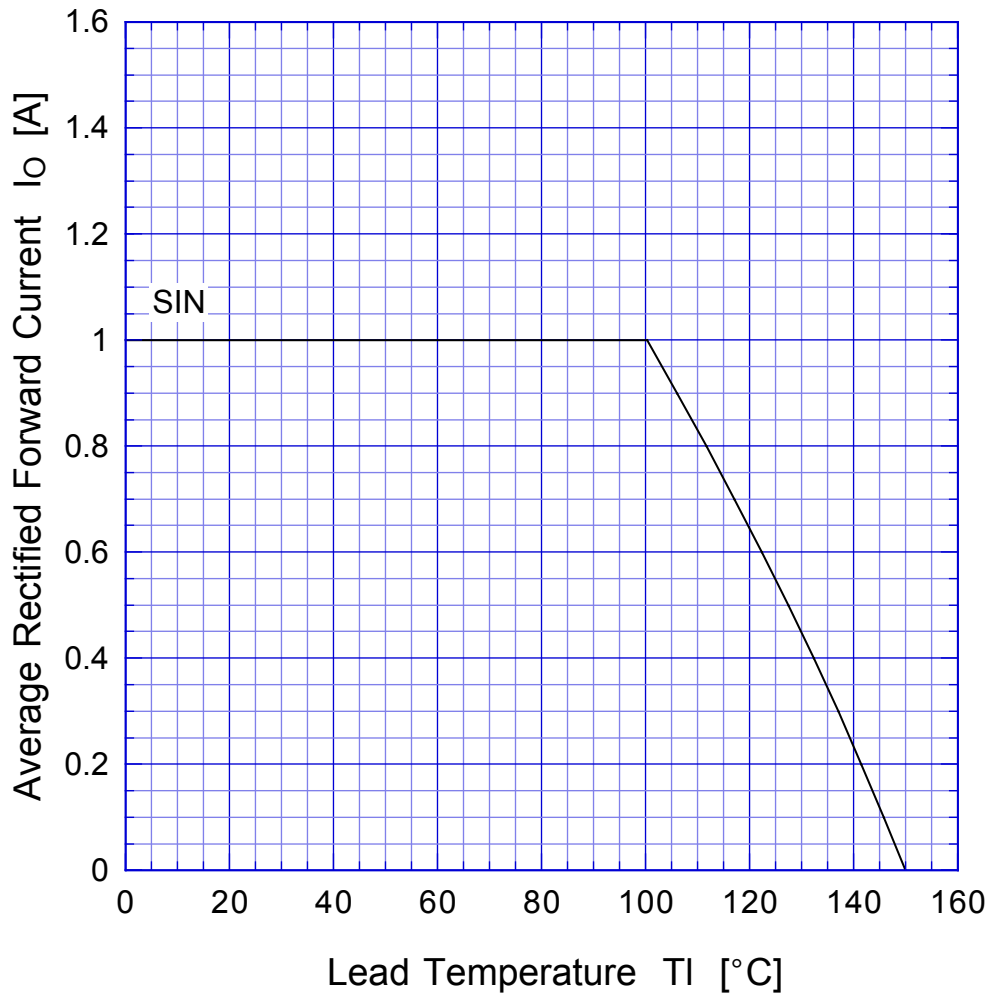


$$V_R = V_{RM}$$



# D1UB80

# Derating Curve



$$V_R = V_{RM}$$



# D1UB80

## Peak Surge Forward Capability

