

# SHINDENGEN

## General Purpose Rectifiers

Single

# D1F60

## 600V 1A

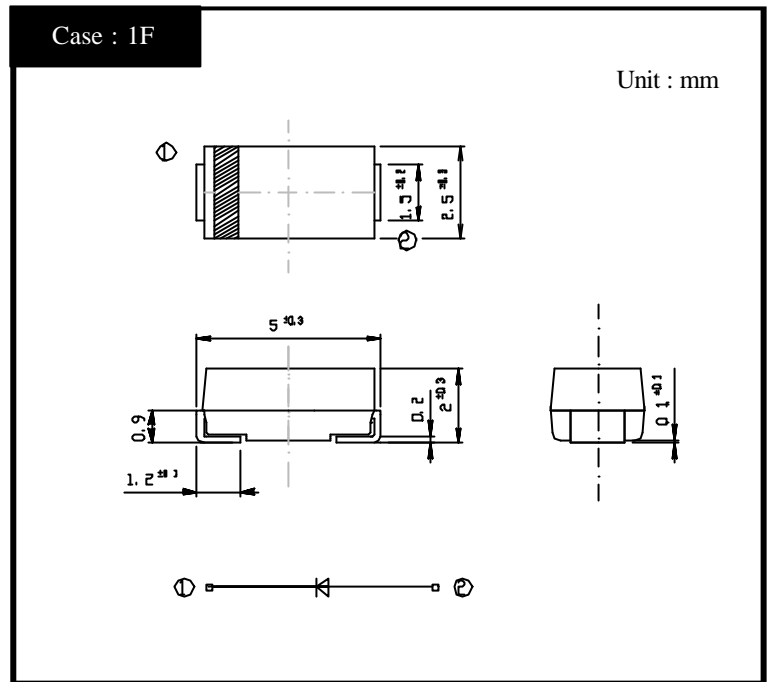
### FEATURES

High reliability with superior moisture resistance  
Applicable to Automatic Insertion

### APPLICATION

Conventional Rectification  
Power source(Power Supply)  
Home Appliances, Office Equipment  
Telecommunication, Factory Automation

### OUTLINE DIMENSIONS



### RATINGS

Absolute Maximum Ratings (If not specified  $T_I=25$  )

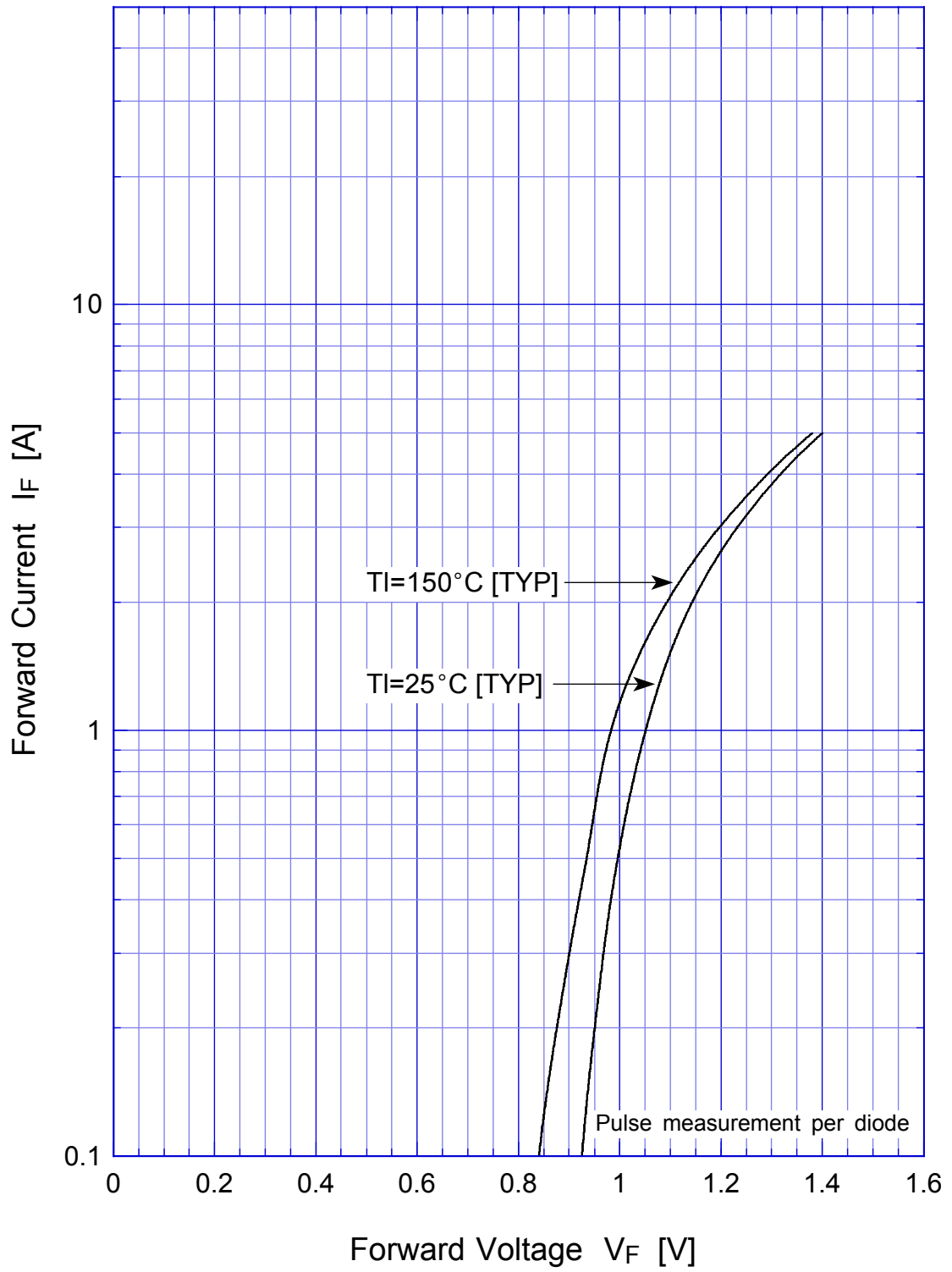
Item	Symbol	Conditions	Ratings	Unit
Storage Temperature	$T_{stg}$		-55 ~ 150	
Operating Junction Temperature	$T_j$		150	
Maximum Reverse Voltage	$V_{RM}$		600	V
Average Rectified Forward Current	$I_o$	50Hz sine wave, R-load, On alumina substrate $T_a=25$	1	A
		50Hz sine wave, R-load, On glass-epoxy substrate $T_a=25$	0.75	
Peak Surge Forward Current	$I_{FSM}$	50Hz sine wave, Non-repetitive 1 cycle peak value, $T_j=25$	25	A

Electrical Characteristics (If not specified  $T_I=25$  )

Item	Symbol	Conditions	Ratings	Unit
Forward Voltage	$V_F$	$I_F=1A$ , Pulse measurement	Max.1.1	V
Reverse Current	$I_R$	$V_R=V_{RM}$ , Pulse measurement	Max.10	$\mu A$
Thermal Resistance	$\theta$	jl junction to lead	Max.23	/W
		ja junction to ambient, On alumina substrate	Max.108	
		ja junction to ambient, On glass-epoxy substrate	Max.157	

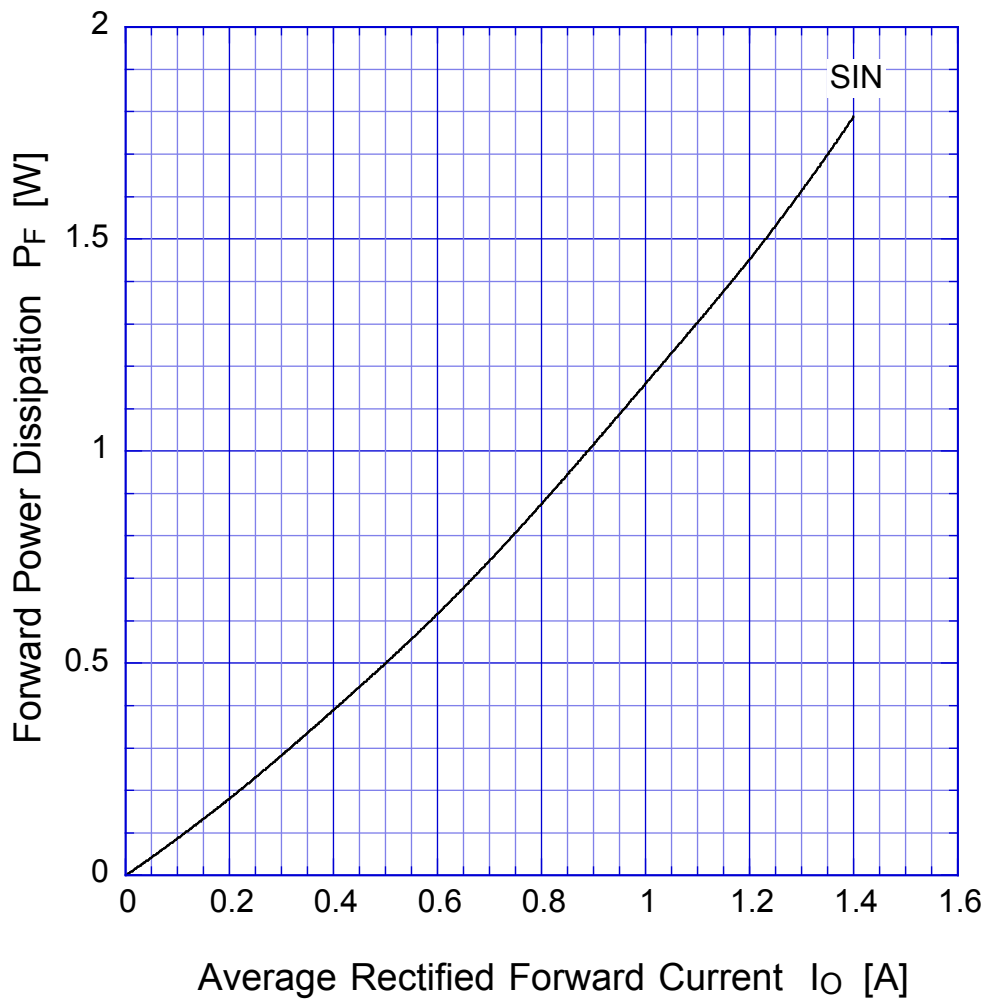
D1Fx

Forward Voltage



D1Fx

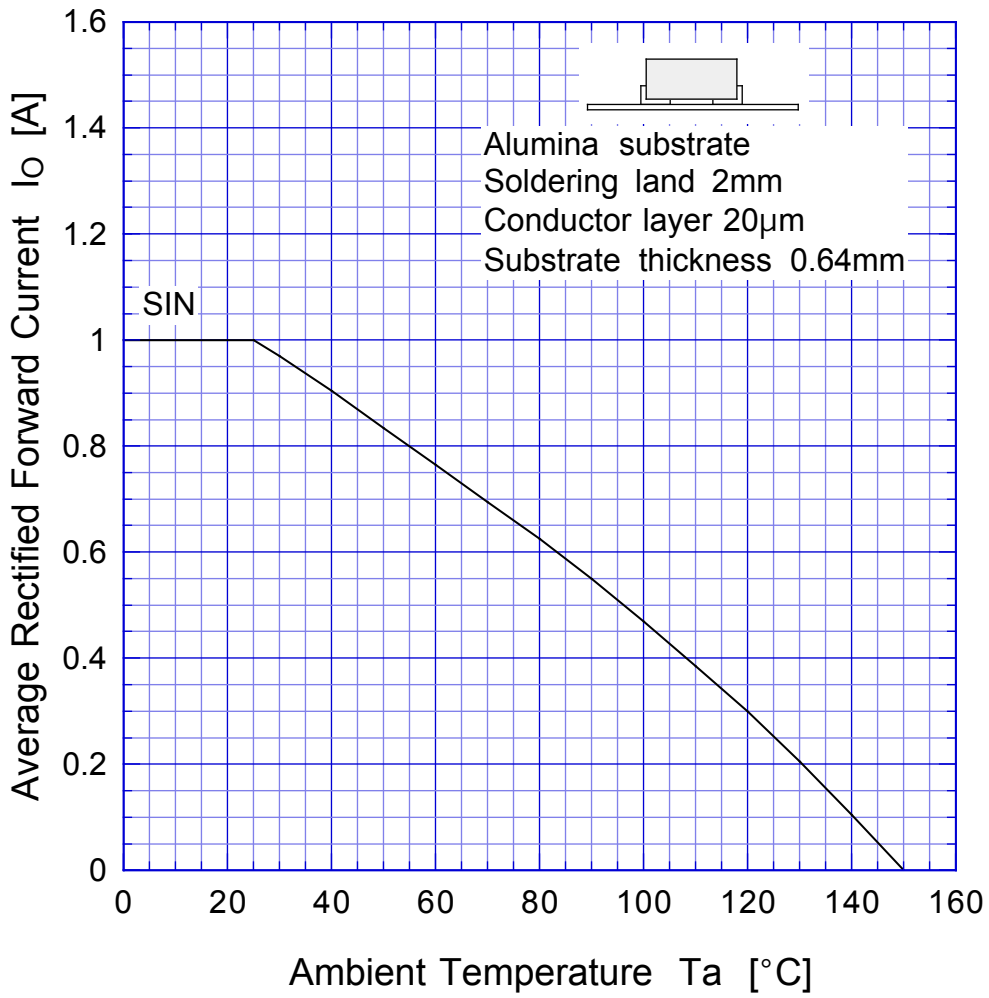
Forward Power Dissipation



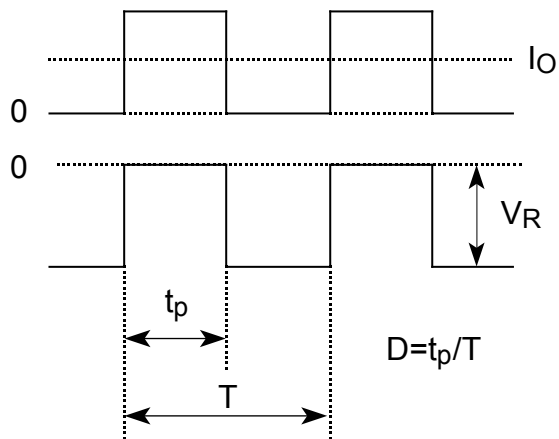
$T_j = 150^\circ\text{C}$   
Sine wave

# D1Fx

# Derating Curve

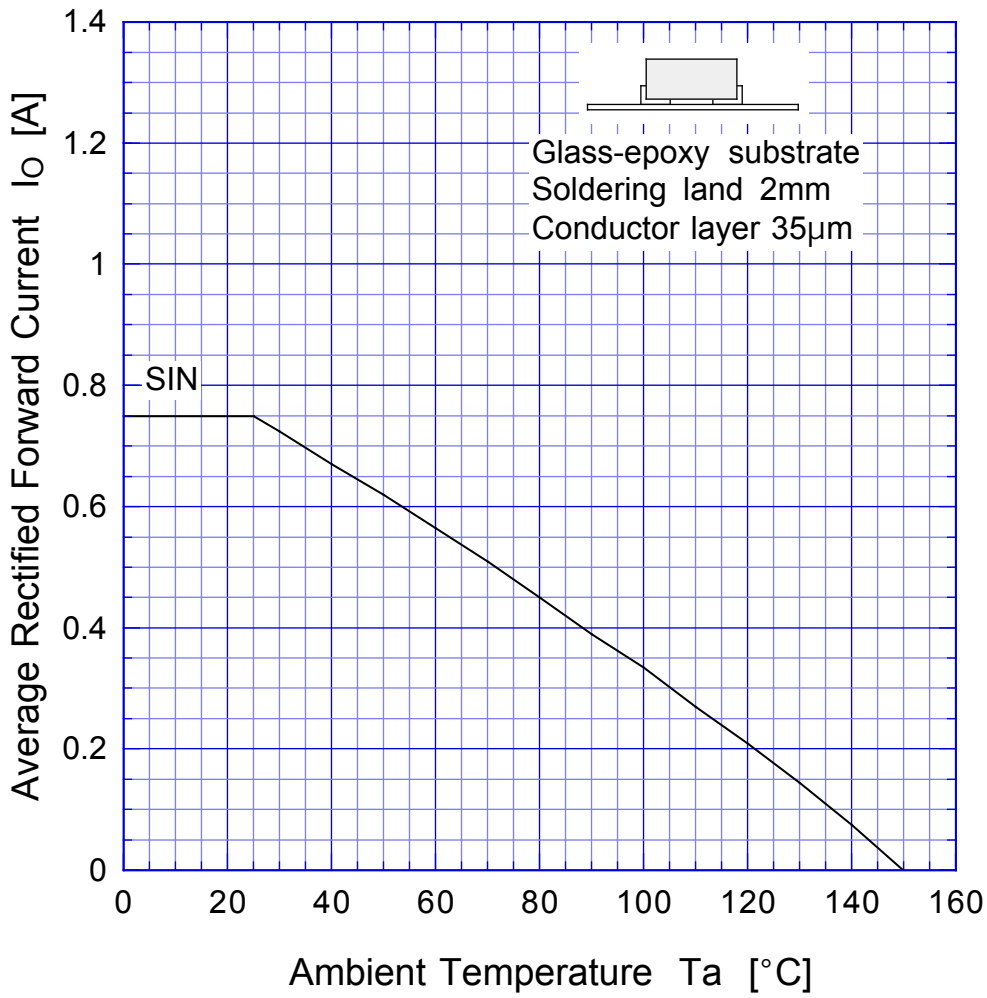


$$V_R = V_{RM}$$

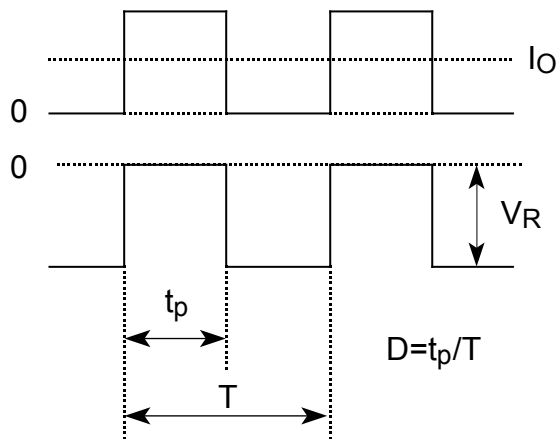


# D1Fx

# Derating Curve



$V_R = V_{RM}$   
Sine wave  
R-load  
Free in air



# D1Fx

## Peak Surge Forward Capability

