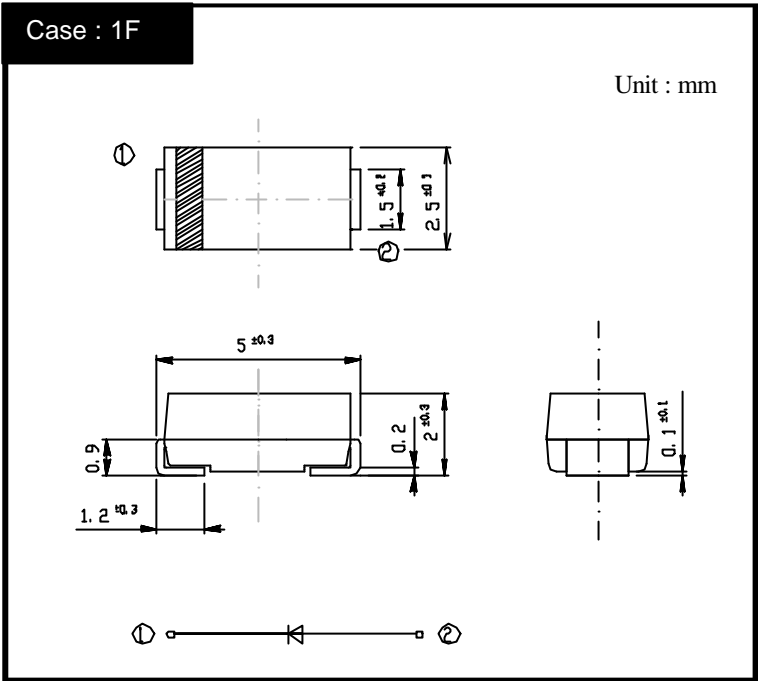


D1F60A

600V 1.2A

OUTLINE DIMENSIONS



RATINGS

Absolute Maximum Ratings (If not specified  $T_I=25$  )

Item	Symbol	Conditions	Ratings	Unit
Storage Temperature	$T_{stg}$		-55 ~ 150	
Operating Junction Temperature	$T_j$		150	
Maximum Reverse Voltage	$V_{RM}$		600	V
Average Rectified Forward Current	$I_o$	50Hz sine wave, R-load, $T_a=25$ On alumina substrate	1.2	A
		50Hz sine wave, R-load, $T_a=25$ On glass-epoxy substrate	0.88	
Peak Surge Forward Current	$I_{FSM}$	50Hz sine wave, Non-repetitive 1 cycle peak value, $T_j=25$	45	A
Current squared time	$I^2t$	1ms $t < 10m s$	8	A <sup>2</sup> s

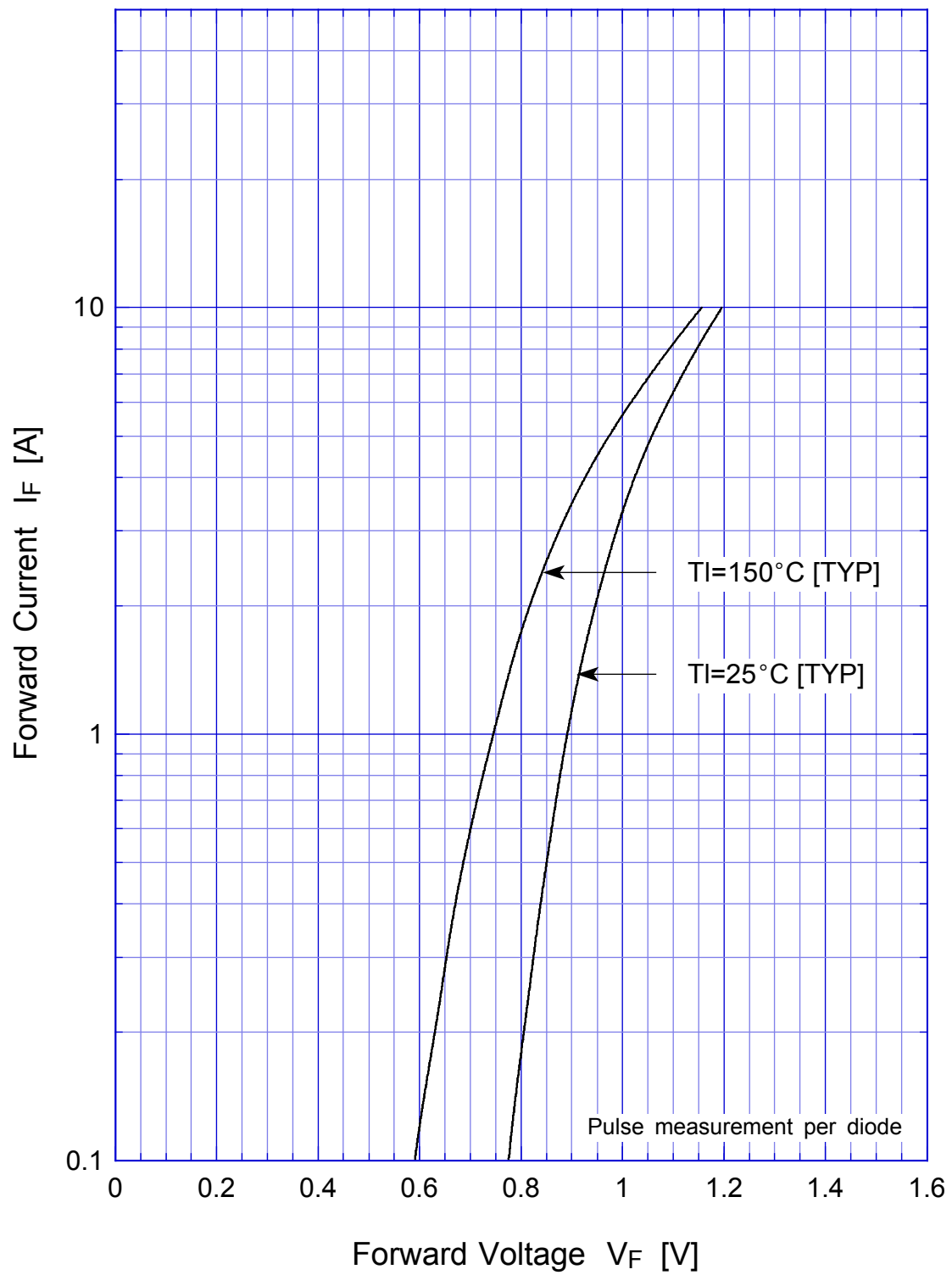
Electrical Characteristics (If not specified  $T_I=25$  )

Item	Symbol	Conditions	Ratings	Unit
Forward Voltage	$V_F$	$I_F=1.2A$ , Pulse measurement	Max.0.97	V
Reverse Current	$I_R$	$V_R=V_{RM}$ , Pulse measurement	Max.10	$\mu A$
Thermal Resistance	$\theta_{jl}$	junction to lead	Max.23	/W
	$\theta_{ja}$	junction to ambient On alumina substrate	Max.108	
		junction to ambient On glass-epoxy substrate	Max.157	



D1F60A

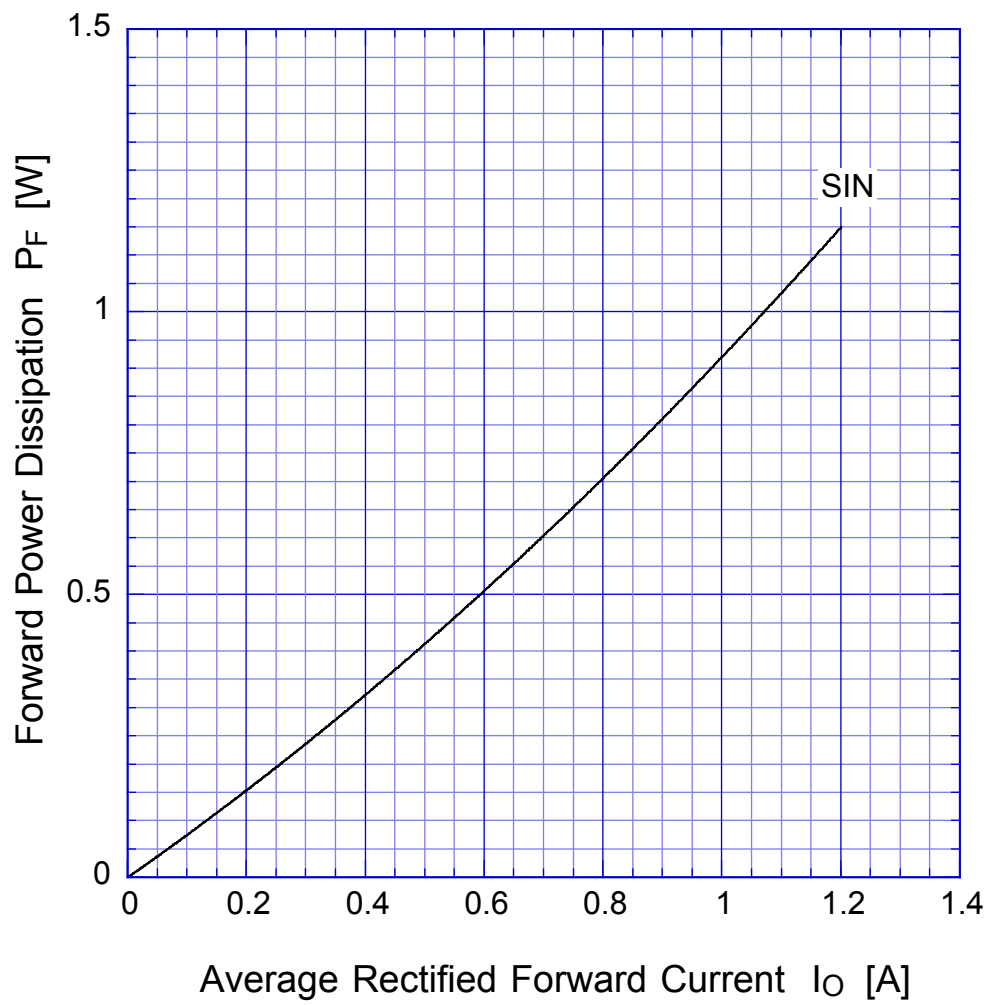
Forward Voltage





D1F60A

Forward Power Dissipation



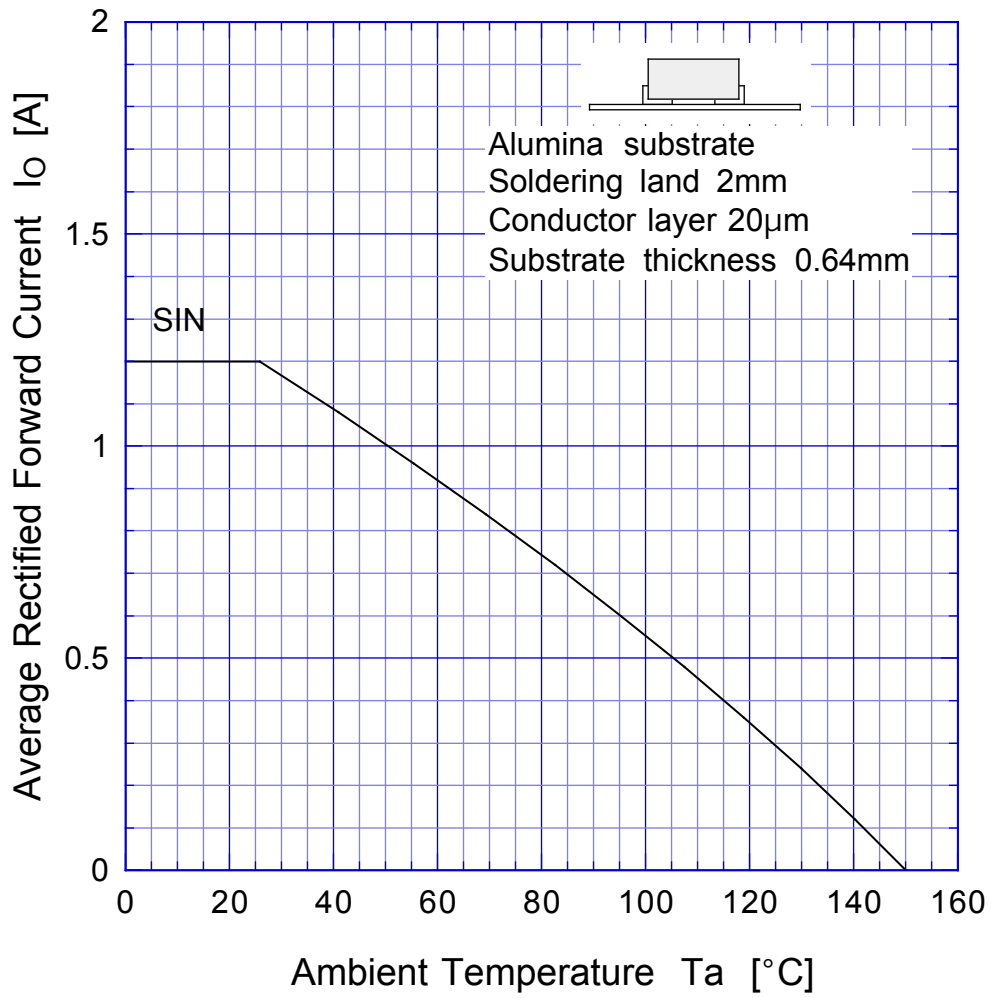
$T_j = 150^\circ\text{C}$

Sine wave

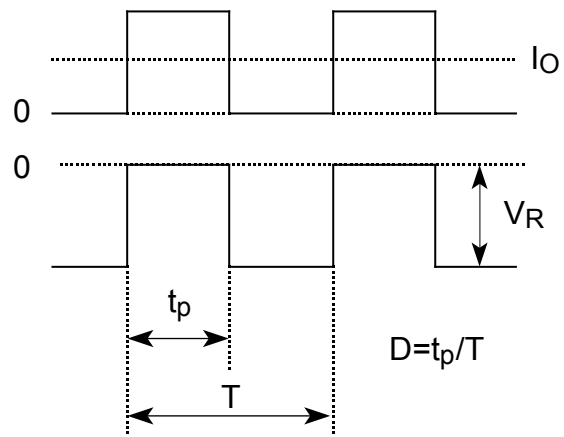


# D1F60A

## Derating Curve



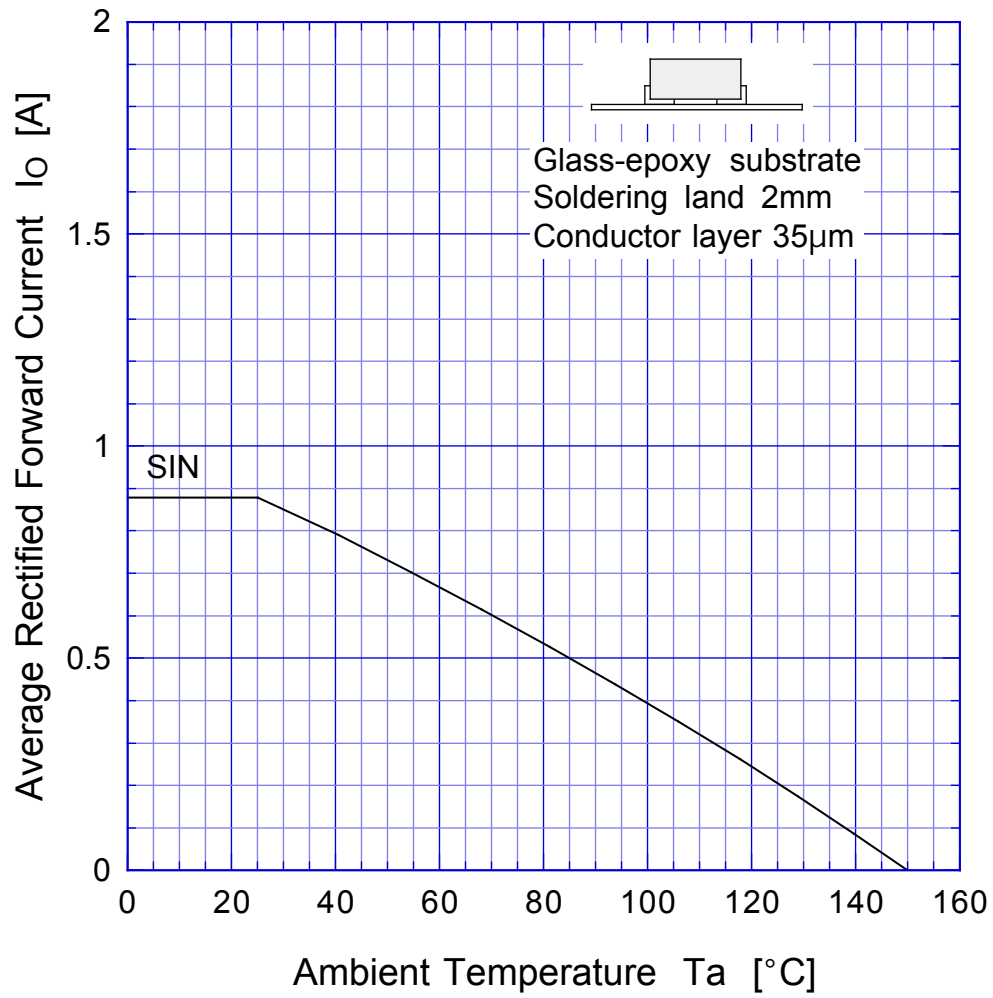
$$V_R = V_{RM}$$



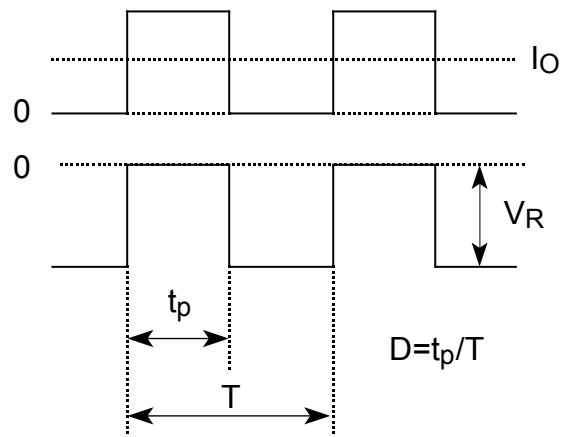


# D1F60A

## Derating Curve



$$V_R = V_{RM}$$





# D1F60A

## Peak Surge Forward Capability

