

SHINDENGEN

General Purpose Rectifiers

Single

D1N60

600V 1A

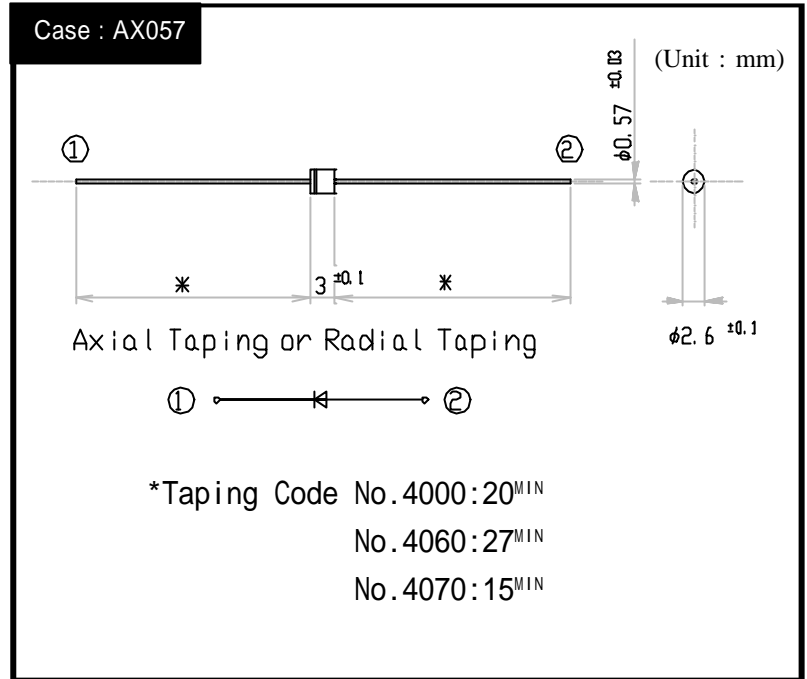
FEATURES

- High voltage
- High reliability with superior moisture resistance
- 5 mm pitch mounting applicable

APPLICATION

- Conventional Rectification
- Power source(Power Supply)
- Home Appliances, Office Equipment
- Telecommunication, Factory Automation

OUTLINE DIMENSIONS



RATINGS

Absolute Maximum Ratings (If not specified Tl=25)

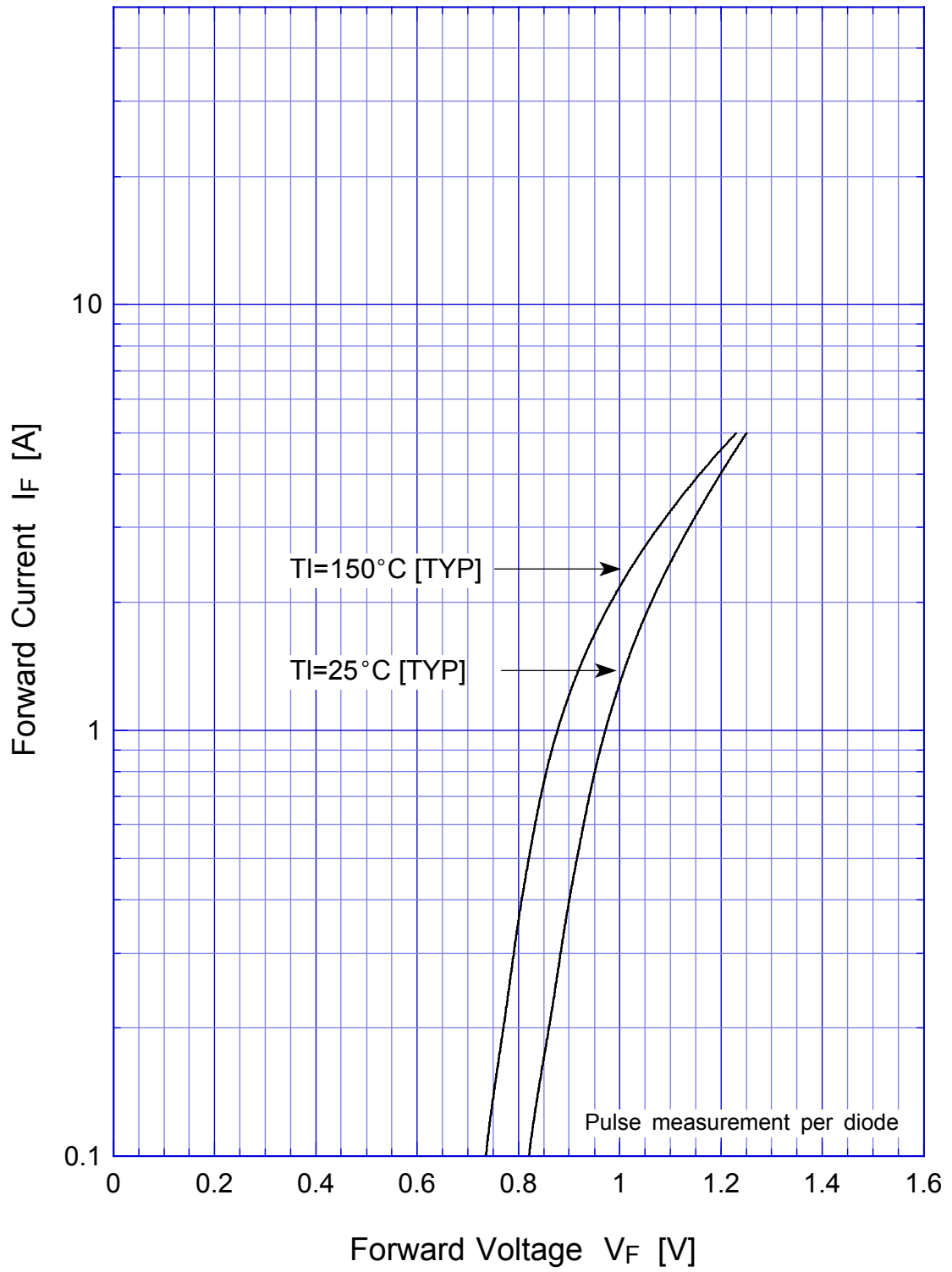
Item	Symbol	Conditions	Ratings	Unit
Storage Temperature	Tstg		-55 ~ 150	
Operating Junction Temperature	Tj		150	
Maximum Reverse Voltage	V _{RM}		600	V
Average Rectified Forward Current	I _O	50Hz sine wave, R-load, On glass-epoxy substrate Ta=25	1	A
Peak Surge Forward Current	I _{FSM}	50Hz sine wave, Non-repetitive 1cycle peak value, Tj=25	30	A
Current Squared Time	I ² t	1ms t < 10ms Tj=25	4.5	A ² s

Electrical Characteristics (If not specified Tl=25)

Item	Symbol	Conditions	Ratings	Unit
Forward Voltage	V _F	I _F =1A, Pulse measurement	Max.1.05	V
Reverse Current	I _R	V _R =V _{RM} , Pulse measurement	Max.10	μA
Thermal Resistance	j-l	junction to lead	Max.10	/W
	j-a	junction to ambient. On glass-epoxy substrate	Max.113	

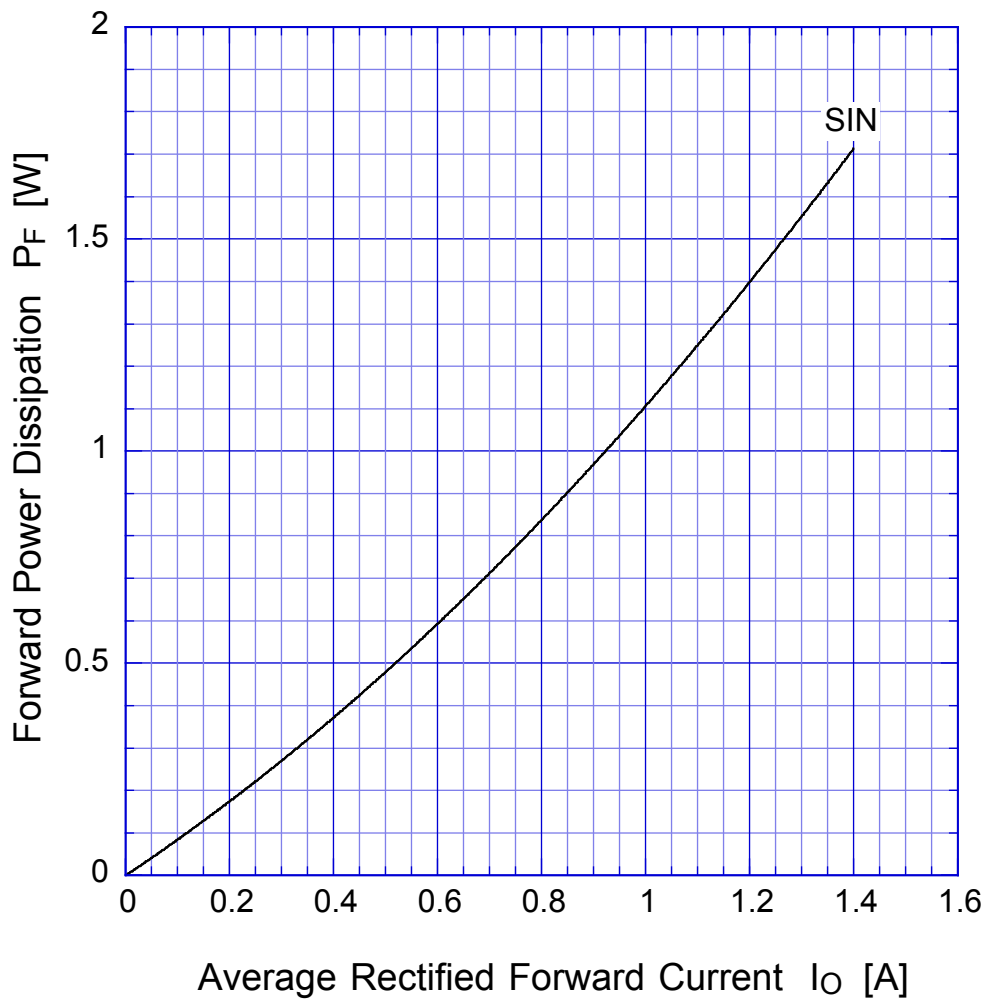
D1Nx

Forward Voltage



D1Nx

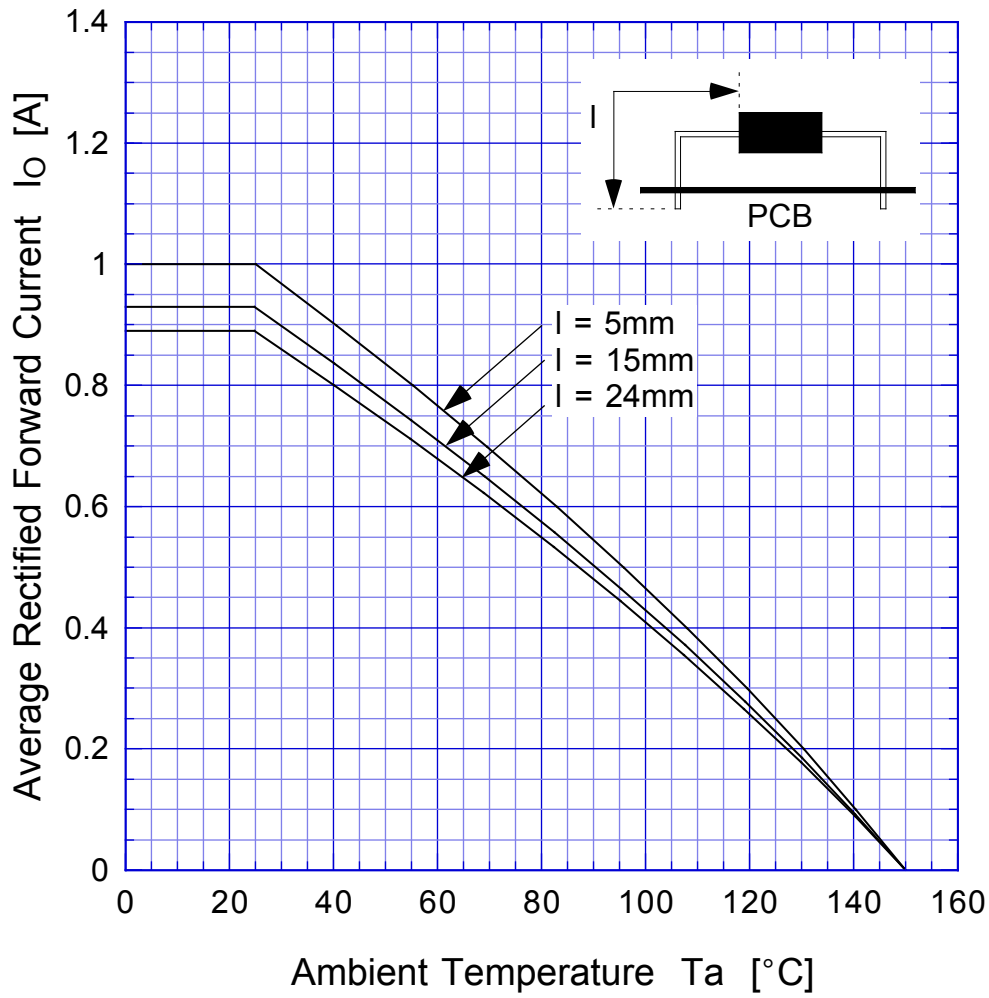
Forward Power Dissipation



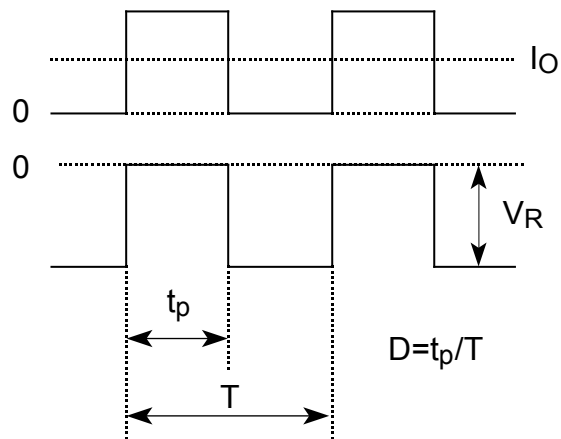
$T_j = 150^\circ\text{C}$
Sine wave

D1Nx

Derating Curve



$V_R = V_{RM}$
Sine wave
R-load
Free in air



D1Nx

Peak Surge Forward Capability

