

# SHINDENGEN

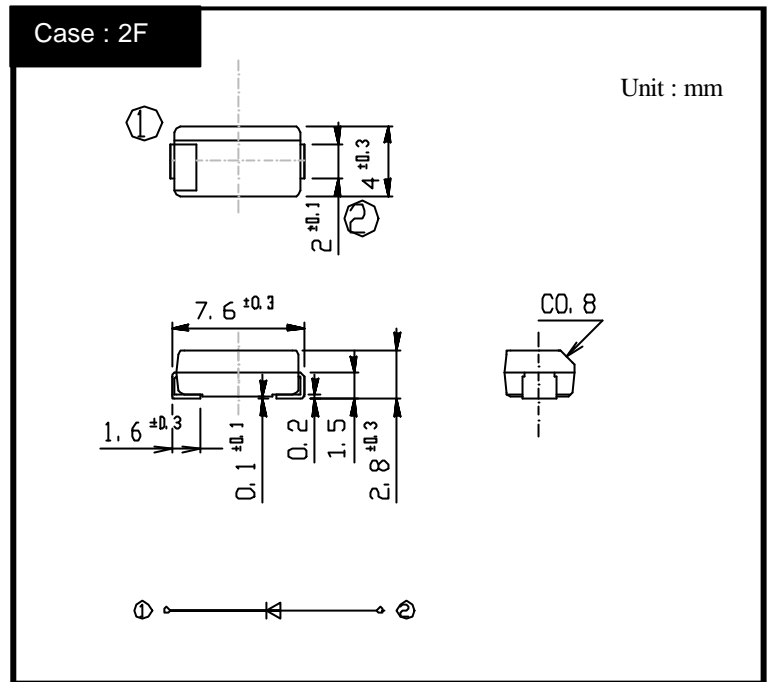
## General Purpose Rectifiers

Single

# D4F60

## 600V 4A

### OUTLINE DIMENSIONS



### RATINGS

Absolute Maximum Ratings (If not specified  $T_I=25$  )

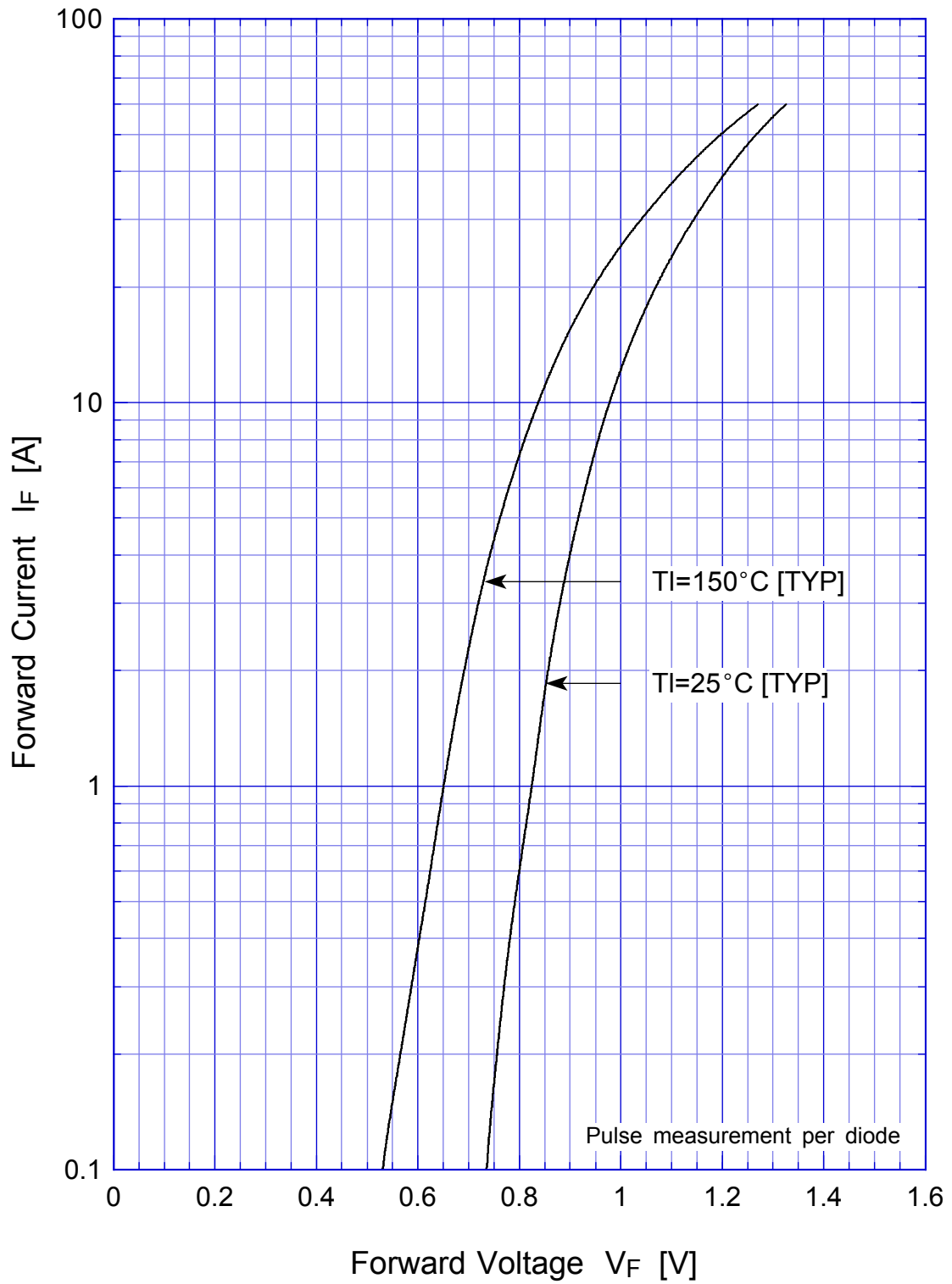
Item	Symbol	Conditions	Ratings	Unit
Storage Temperature	$T_{stg}$		-55 ~ 150	
Operating Junction Temperature	$T_j$		150	
Maximum Reverse Voltage	$V_{RM}$		600	V
Average Rectified Forward Current	$I_o$	50Hz sine wave, R-load $T_I=68$	4	A
		50Hz sine wave, R-load $T_a=25$ On alumina substrate	1.85	
		50Hz sine wave, R-load $T_a=25$ On glass-epoxy substrate	1.3	
Peak Surge Forward Current	$I_{FSM}$	50Hz sine wave, Non-repetitive 1 cycle peak value, $T_I=25$	200	A
Current squared time	$I^2t$	1ms $t < 10$ ms	150	A <sup>2</sup> s

Electrical Characteristics (If not specified  $T_I=25$  )

Item	Symbol	Conditions	Ratings	Unit
Forward Voltage	$V_F$	$I_F=4A$ Pulse measurement	Max.0.95	V
Reverse Current	$I_R$	$V_R=600V$ Pulse measurement	Max.10	$\mu A$
		junction to lead	Max.23	
Thermal Resistance	$\theta_{ja}$	junction to ambient, On alumina substrate	Max.80	/W
		junction to ambient, On glass-epoxy substrate	Max.115	

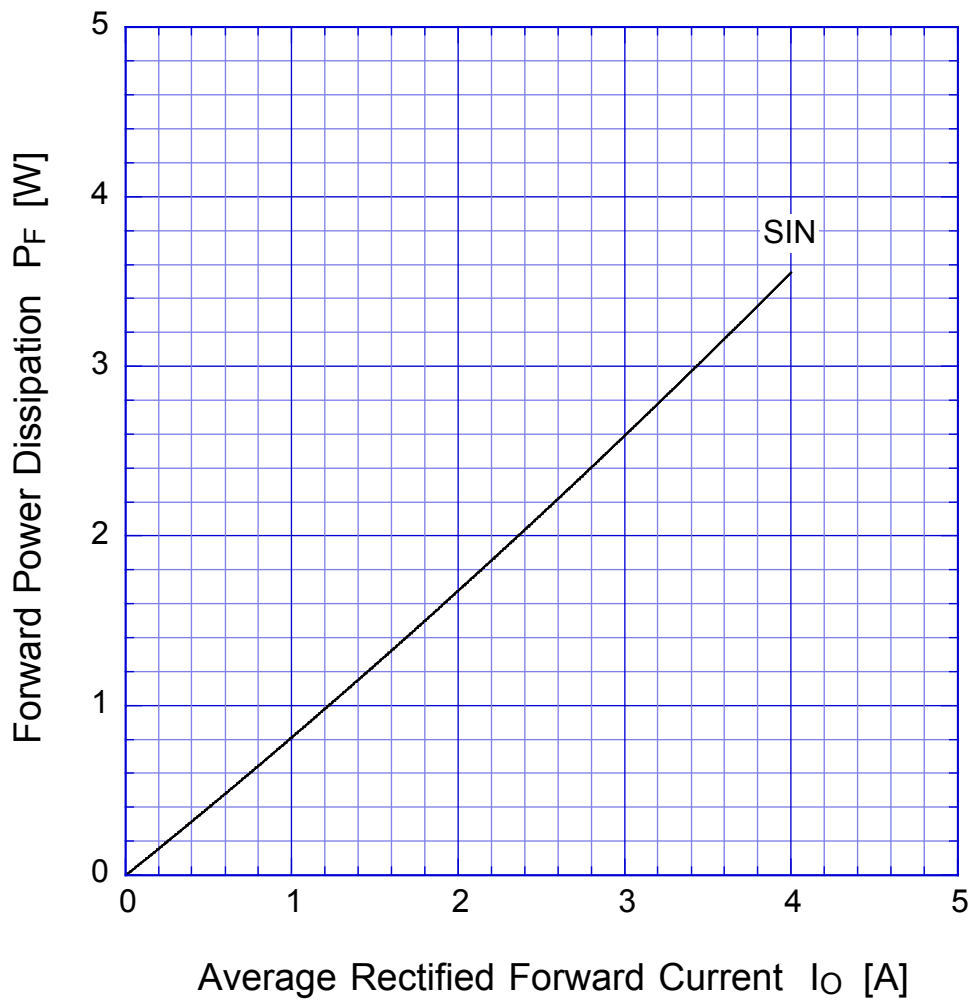
D4F60

Forward Voltage



D4F60

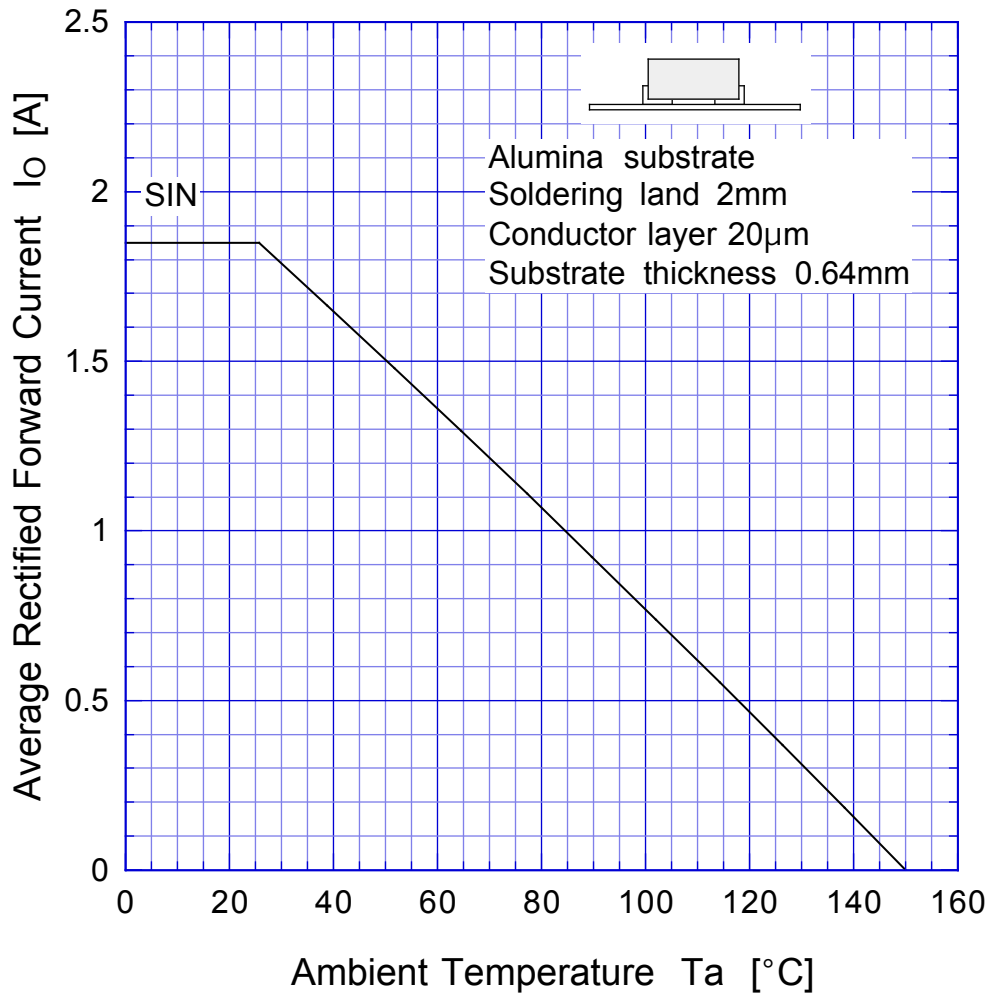
Forward Power Dissipation



$T_j = 150^\circ\text{C}$   
Sine wave

# D4F60

# Derating Curve

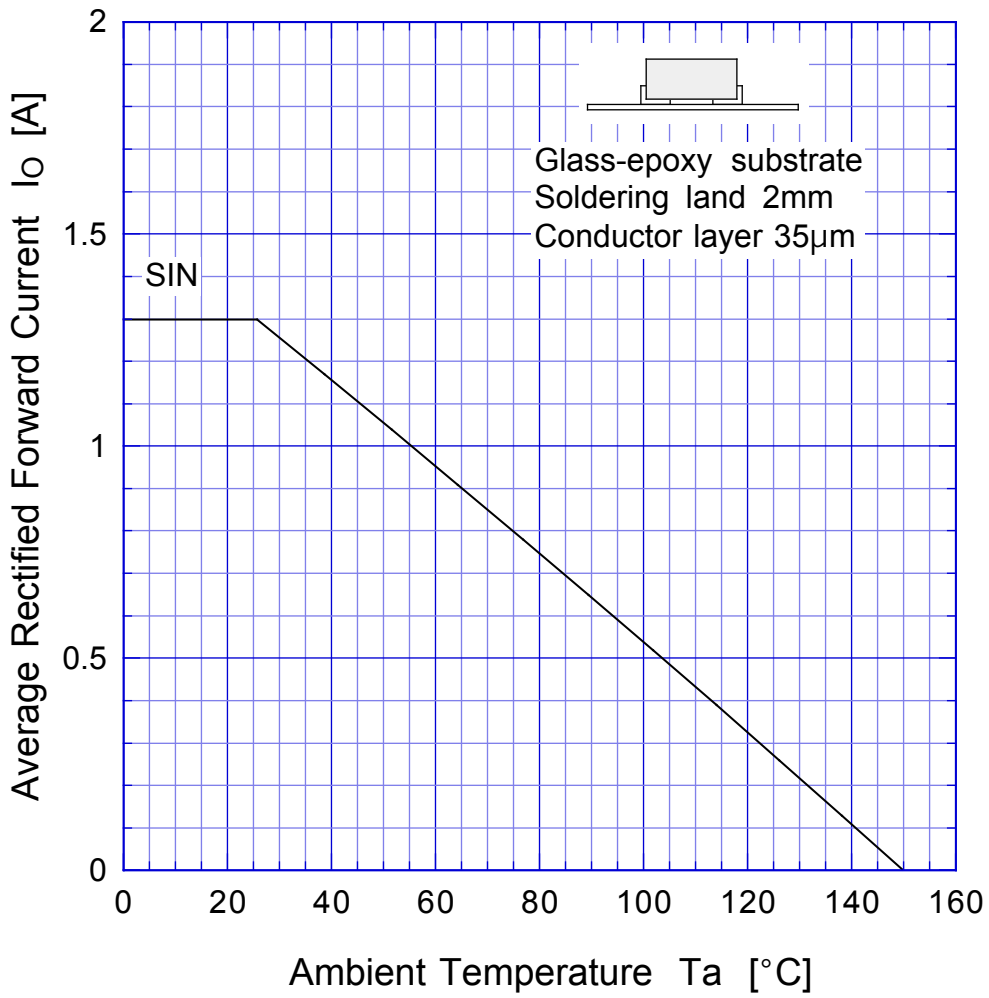


$$V_R = V_{RM}$$

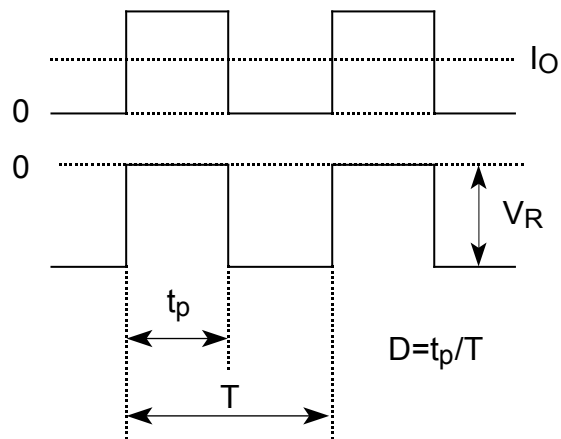


# D4F60

# Derating Curve

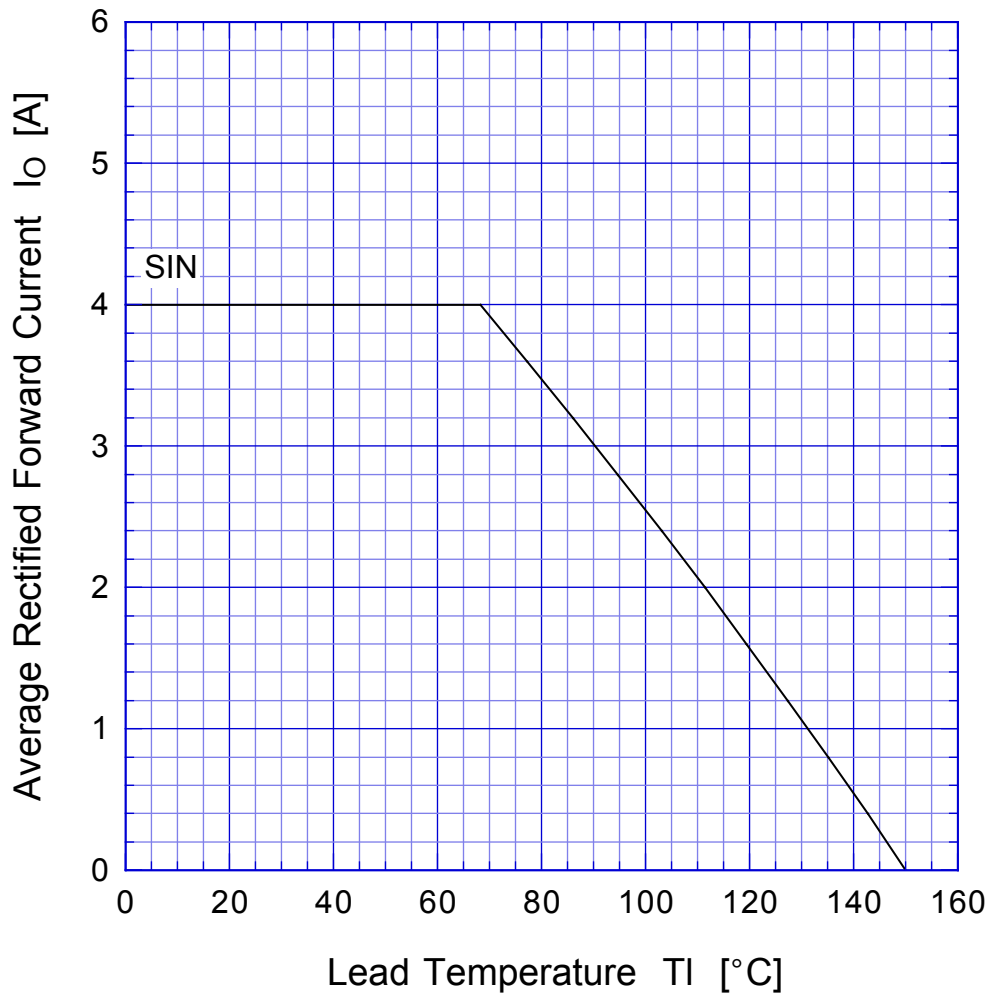


$$V_R = V_{RM}$$

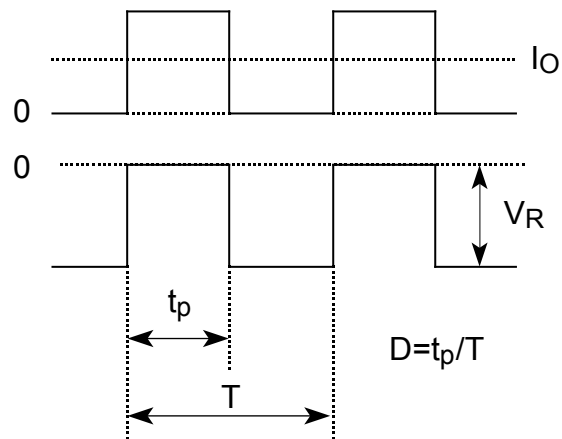


# D4F60

# Derating Curve



$$V_R = V_{RM}$$



# D4F60

## Peak Surge Forward Capability

