

# SHINDENGEN

## General Purpose Rectifiers

Single

# S3V20

## 200V 3.5A

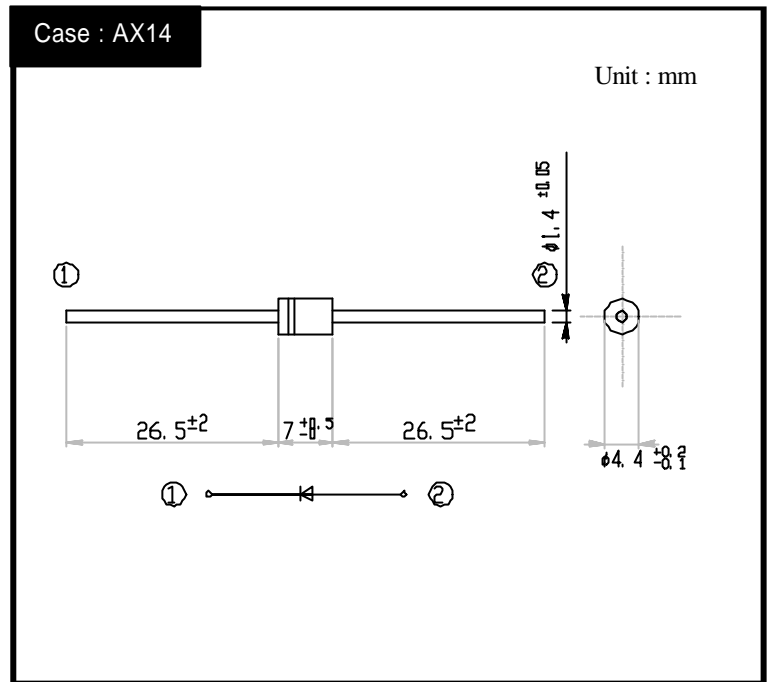
### FEATURES

- High voltage
- High reliability with superior moisture resistance
- Applicable to Automatic Insertion

### APPLICATION

- Conventional Rectification
- Power source(Power Supply)
- Home Appliances, Office Equipment
- Telecommunication, Factory Automation

### OUTLINE DIMENSIONS



### RATINGS

Absolute Maximum Ratings (If not specified  $T_I=25$  )

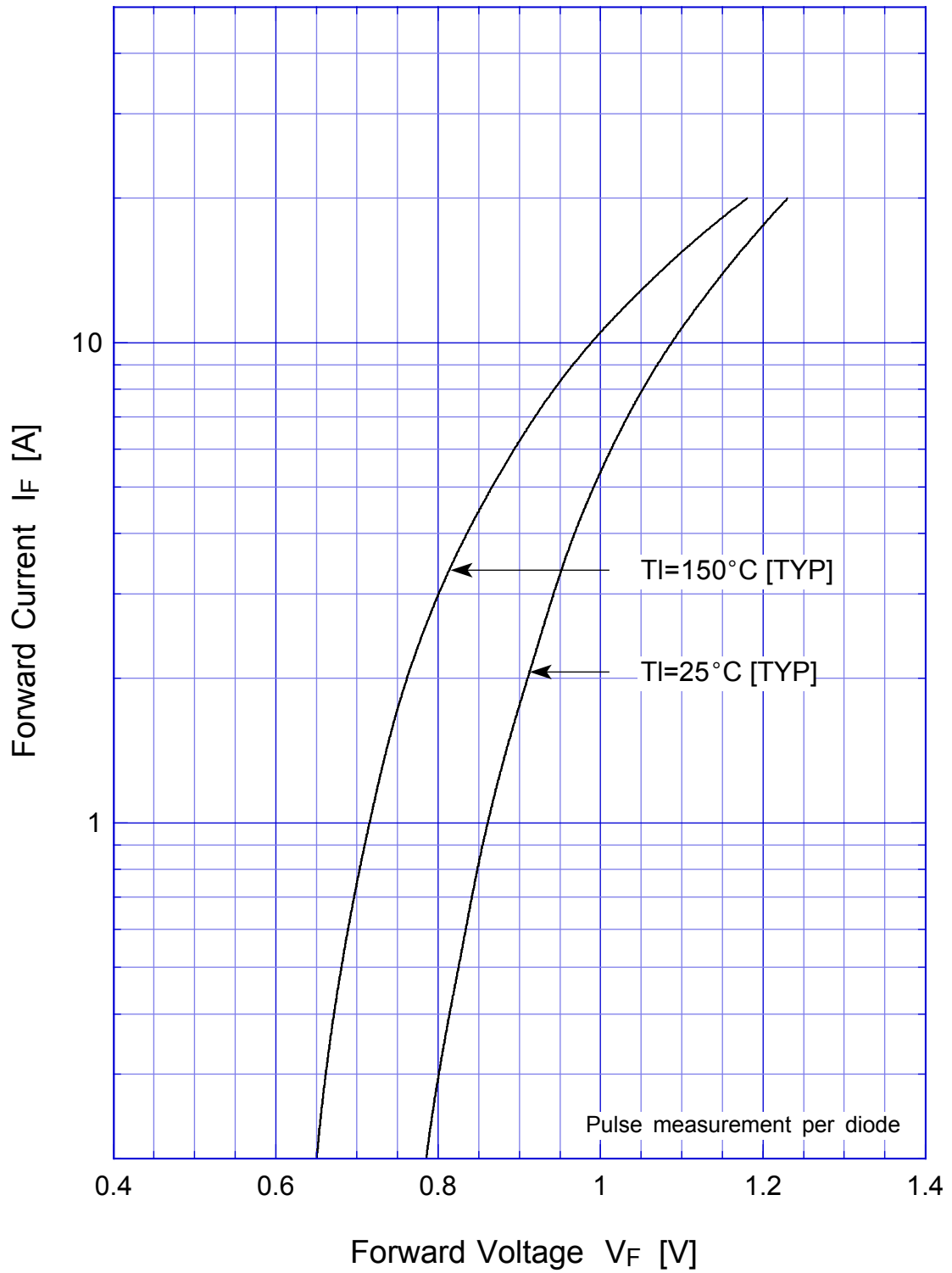
Item	Symbol	Conditions	Ratings	Unit
Storage Temperature	$T_{stg}$		-55 ~ 150	
Operating Junction Temperature	$T_j$		150	
Maximum Reverse Voltage	$V_{RM}$		200	V
Average Rectified Forward Current	$I_o$	50Hz sine wave, R-load, $T_c=40$ With $20 \times 20 \times 1$ mm copper plate	3.5	A
		50Hz sine wave, R-load, $T_a=40$ Without heatsink	2.6	
Peak Surge Forward Current	$I_{FSM}$	50Hz sine wave, Non-repetitive 1cycle peak value, $T_j=25$	120	A
Current Squared Time	$I^2t$	1ms $t < 10$ ms $T_i=25$	60	$A^2s$

Electrical Characteristics (If not specified  $T_I=25$  )

Item	Symbol	Conditions	Ratings	Unit
Forward Voltage	$V_F$	$I_F=2.6A$ , Pulse measurement	Max. 1.05	V
Reverse Current	$I_R$	$V_R=V_{RM}$ , Pulse measurement	Max. 10	$\mu A$
Thermal Resistance	$\theta_l$	junction to lead	Max 6.5	/W

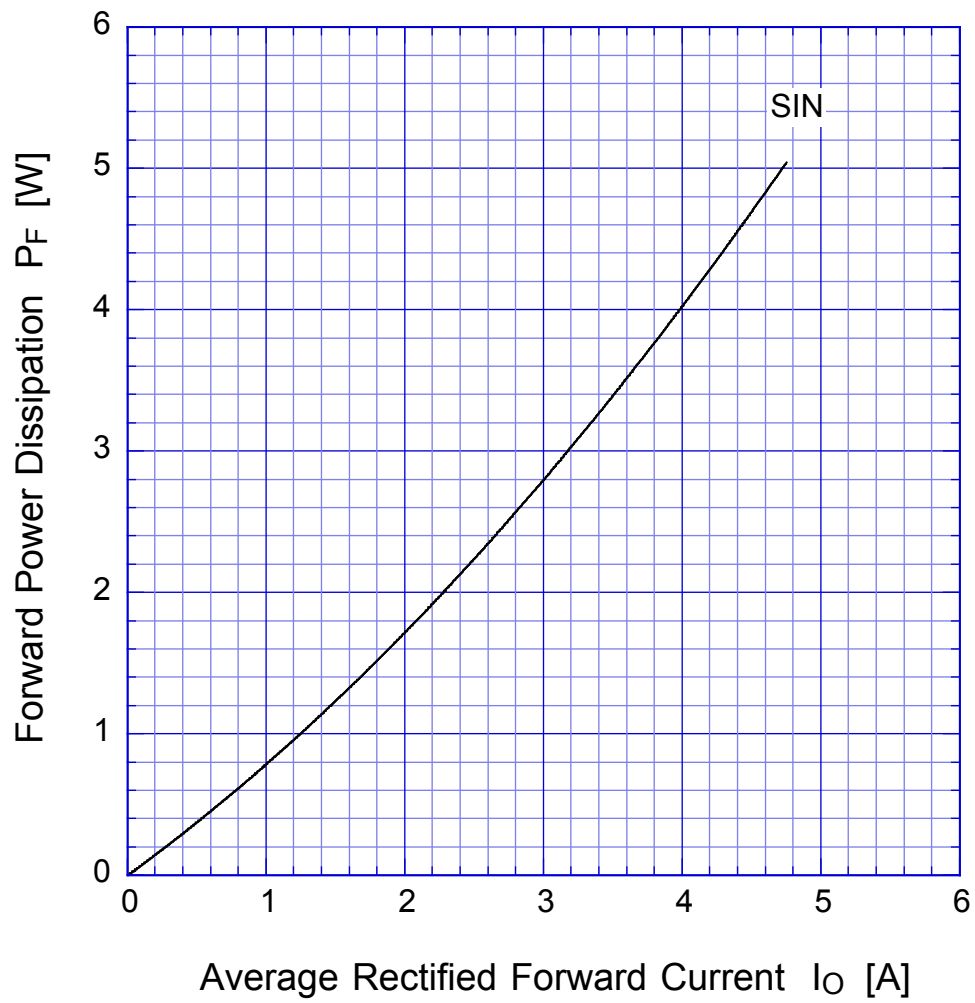
S3Vx

Forward Voltage



S3Vx

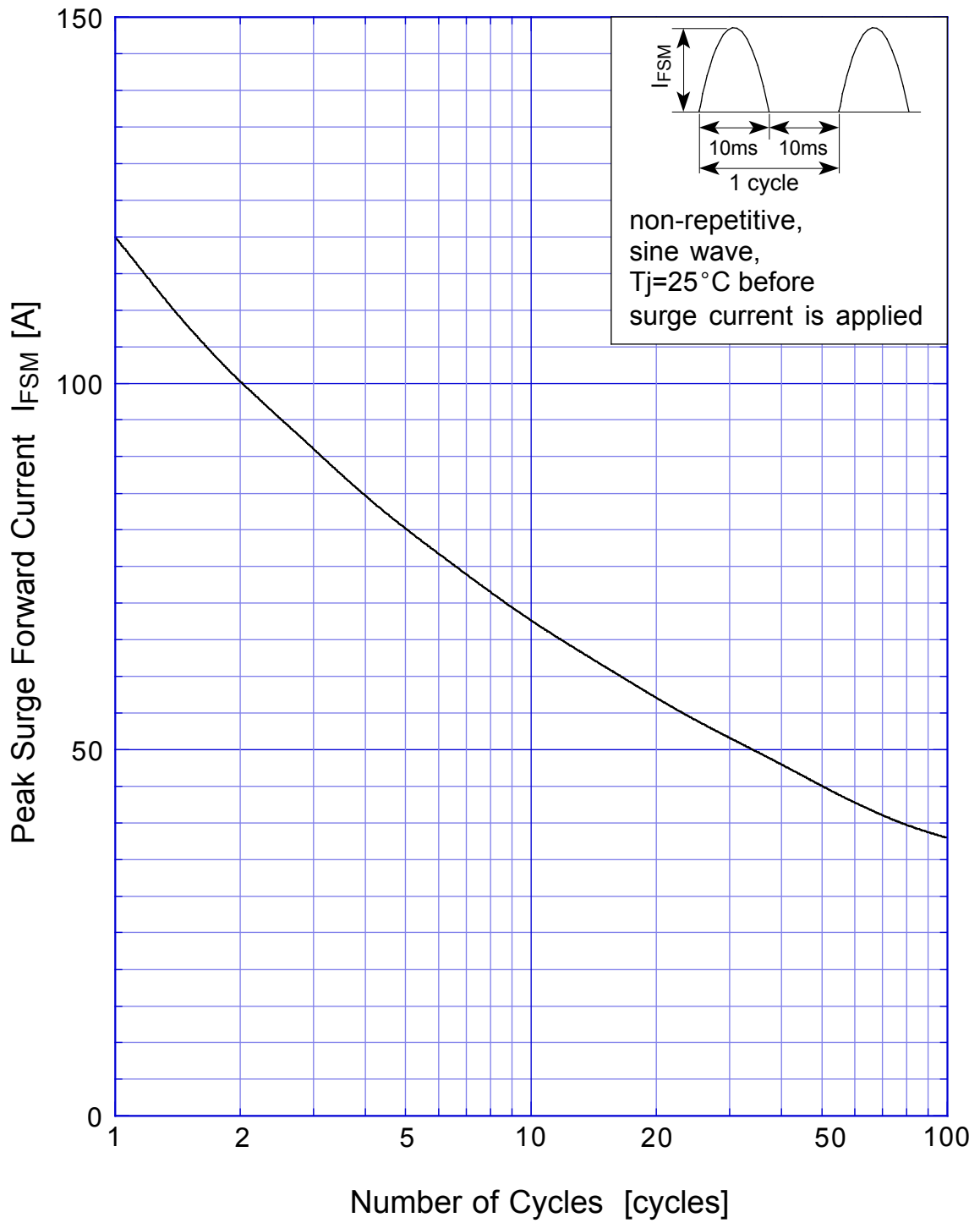
Forward Power Dissipation



$T_j = 150^\circ\text{C}$   
Sine wave

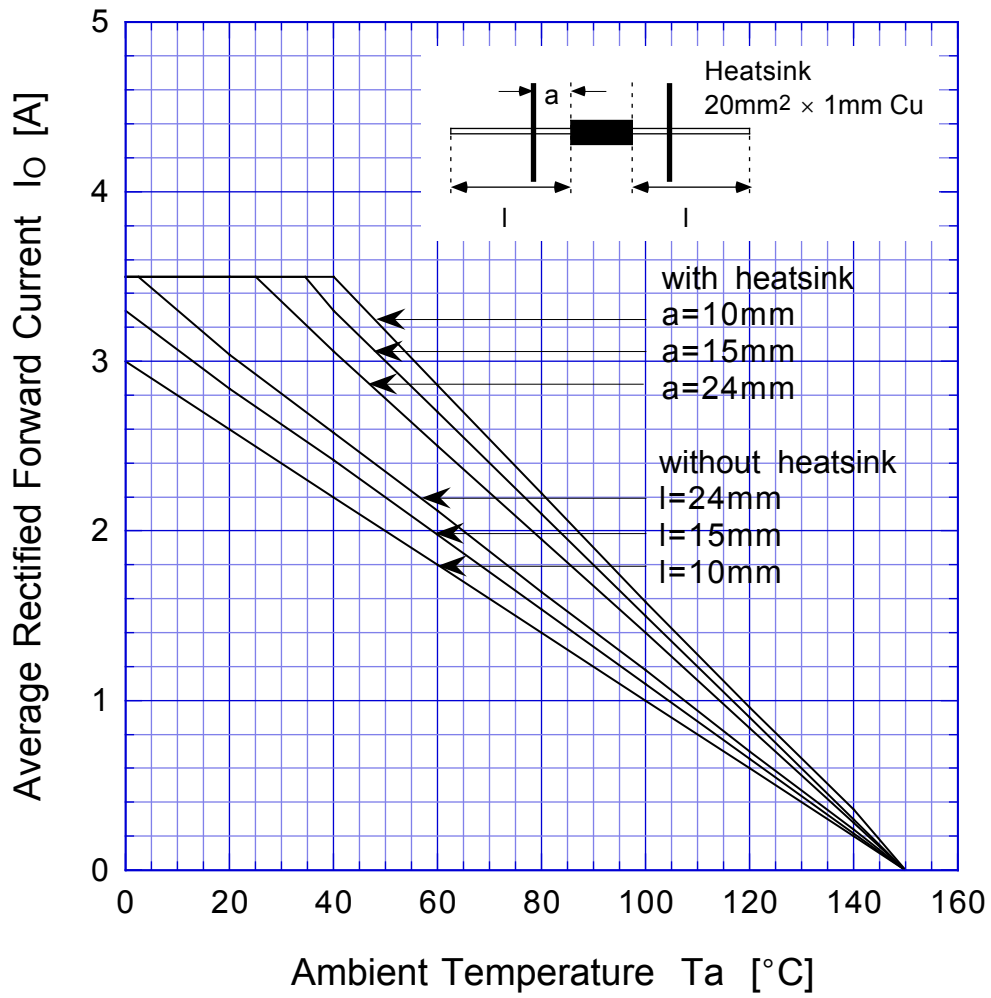
S3Vx

Peak Surge Forward Capability



# S3Vx

# Derating Curve



Sine wave  
R-load  
Free in air