

SHINDENGEN

Schottky Rectifiers (SBD)

SBD Bridges

D4SBS4

40V 4A

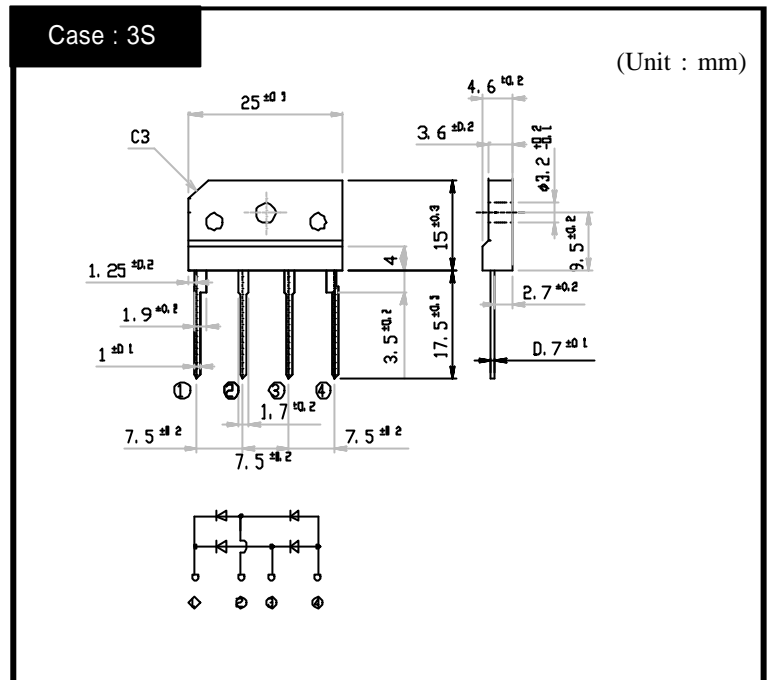
FEATURES

- Thin Single In-Line Package
- SBD Bridge
- Low Vf

APPLICATION

- Switching power supply
- Home Appliances, Office Equipment
- Telecommunication, Factory Automation

OUTLINE DIMENSIONS



RATINGS

Absolute Maximum Ratings (If not specified Tc=25)

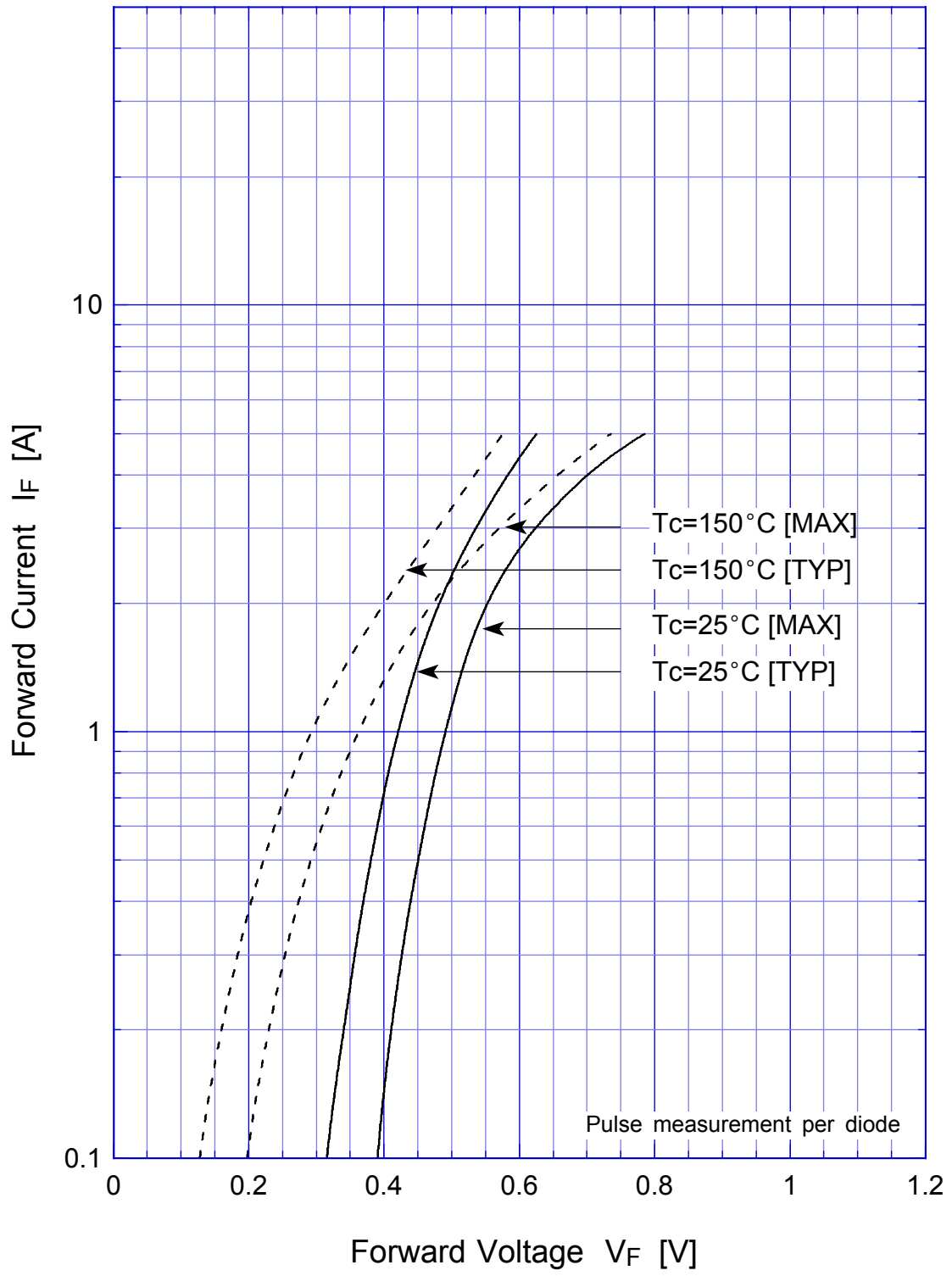
Item	Symbol	Conditions	Ratings	Unit
Storage Temperature	Tstg		-55 ~ 150	
Operating Junction Temperature	Tj		150	
Maximum Reverse Voltage	V _{RM}		40	V
Repetitive Peak Surge Reverse Voltage	V _{RRSM}	Pulse width 0.5ms, duty 1/40	45	V
Average Rectified Forward Current	I _O	50Hz sine wave, R-load With heatsink Tc=116	4	A
		50Hz sine wave, R-load Without heatsink Ta=33	2.3	
Peak Surge Forward Current	I _{FSM}	50Hz sine wave, Non-repetitive 1cycle peak value, Tj=25	60	A
Repetitive Peak Surge Reverse Power	P _{RRSM}	Pulse width 10 μs, Rating of per diode, Tj=25	160	W
Dielectric Strength	Vdis	Terminals to case, AC 1 minute	2	kV
Mounting Torque	TOR	(Recommended torque 0.5N·m)	0.8	N·m

Electrical Characteristics (If not specified Tc=25)

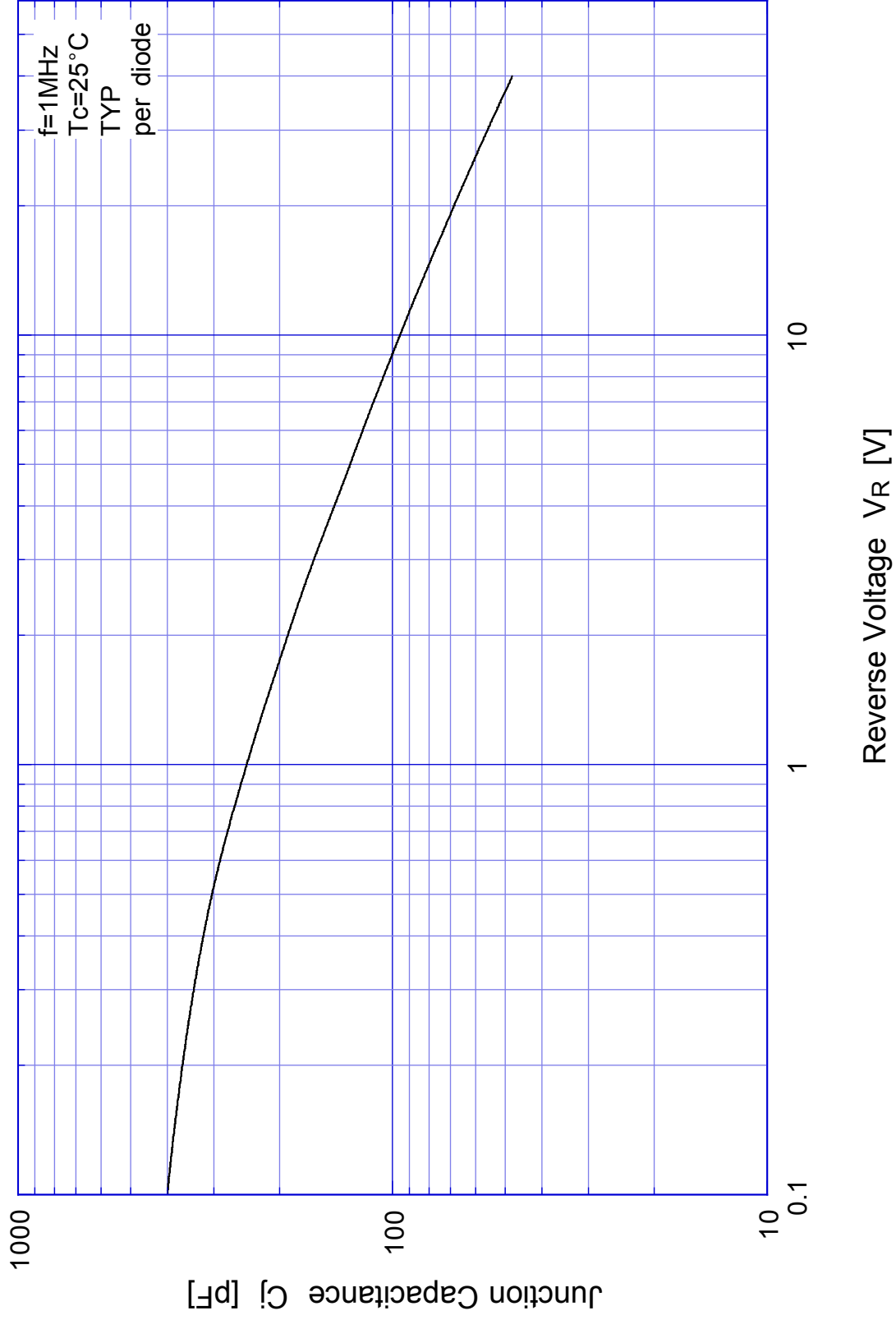
Item	Symbol	Conditions	Ratings	Unit
Forward Voltage	V _F	I _F =2A, Pulse measurement, Rating of per diode	Max.0.55	V
Reverse Current	I _R	V _R =V _{RM} , Pulse measurement, Rating of per diode	Max.2	mA
Junction Capacitance	Cj	f=1MHz, VR=10V, Rating of per diode	TYP 95	pF
Thermal Resistance	jc	junction to case With heatsink	Max.5.5	/W
	jl	junction to lead Without heatsink	Max.6	
	ja	junction to ambient Without heatsink	Max.40	

D4SBS4

Forward Voltage

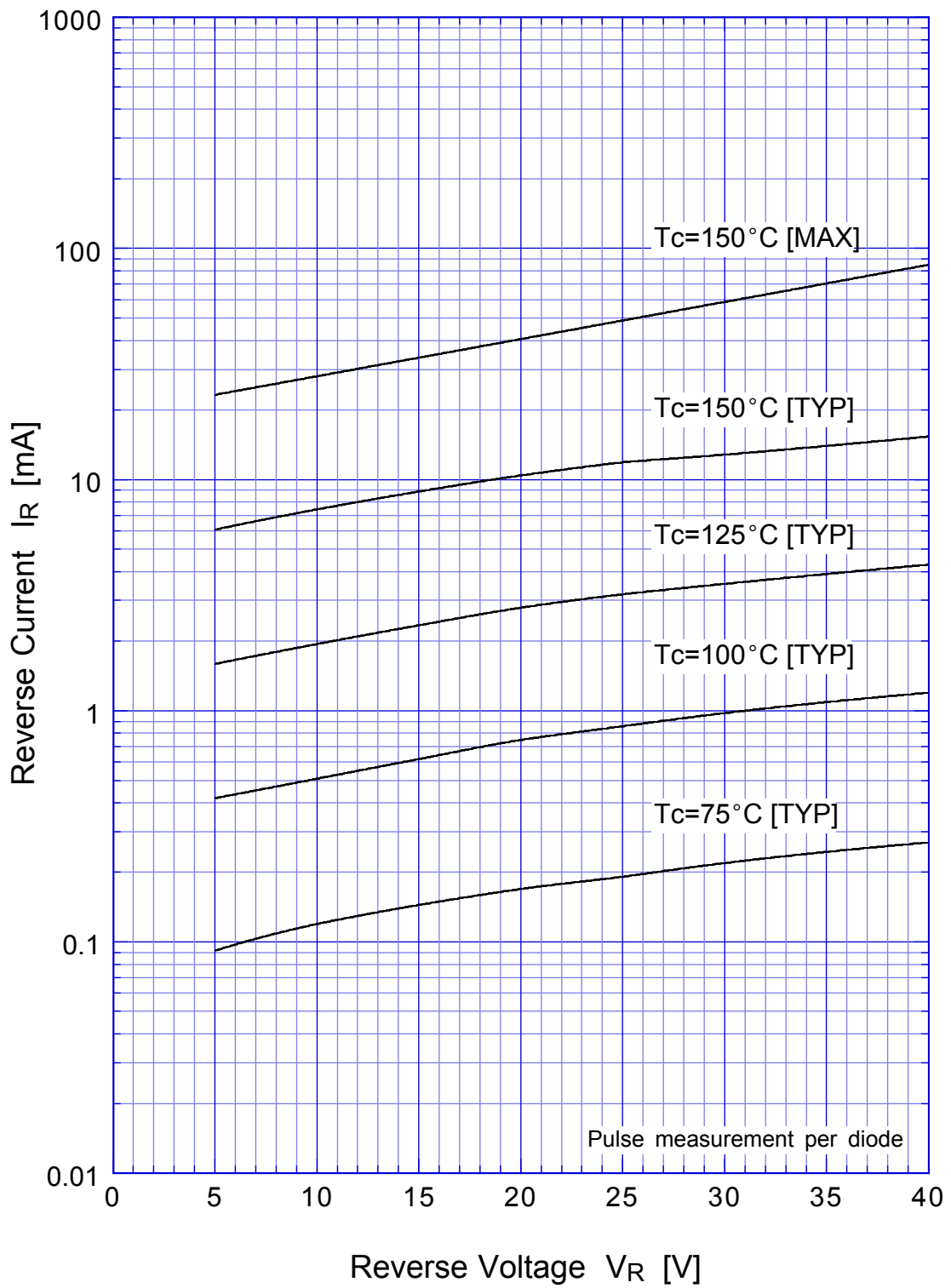


D4SBS4 Junction Capacitance

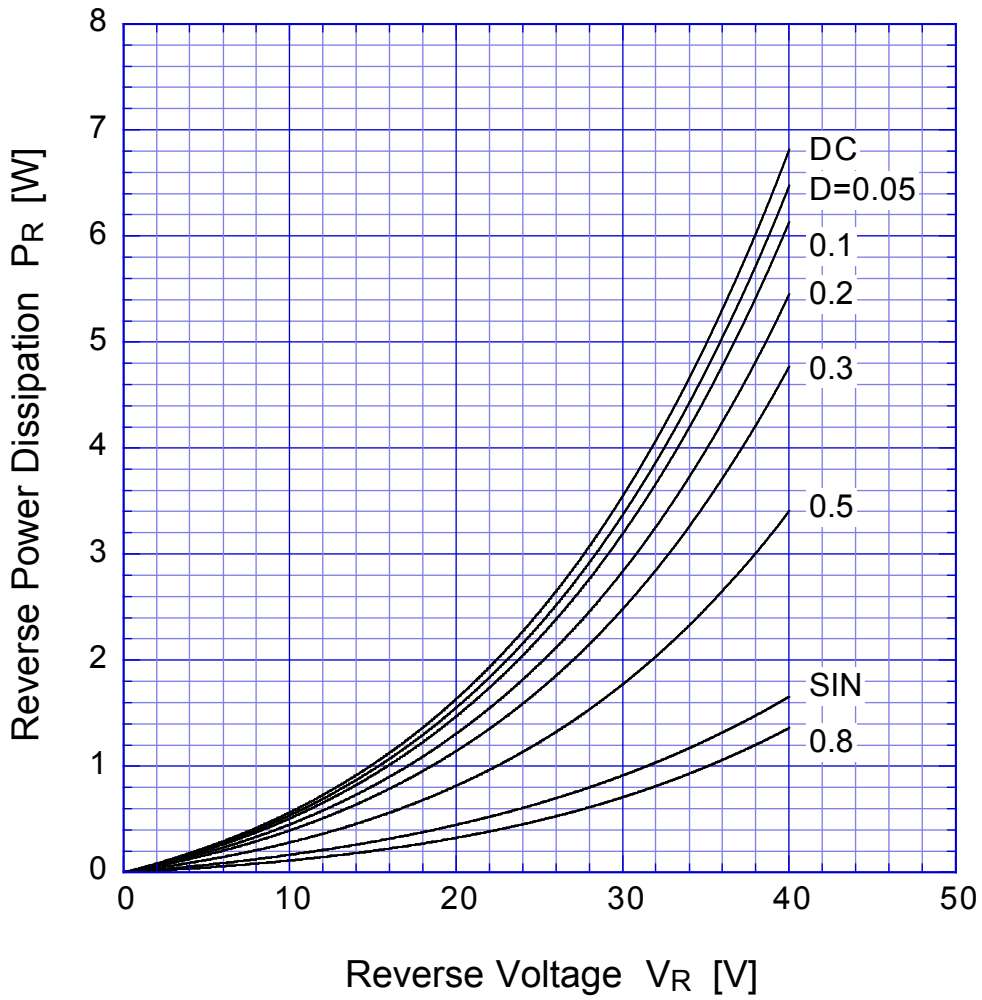


D4SBS4

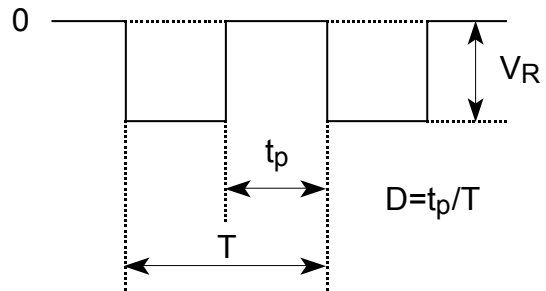
Reverse Current



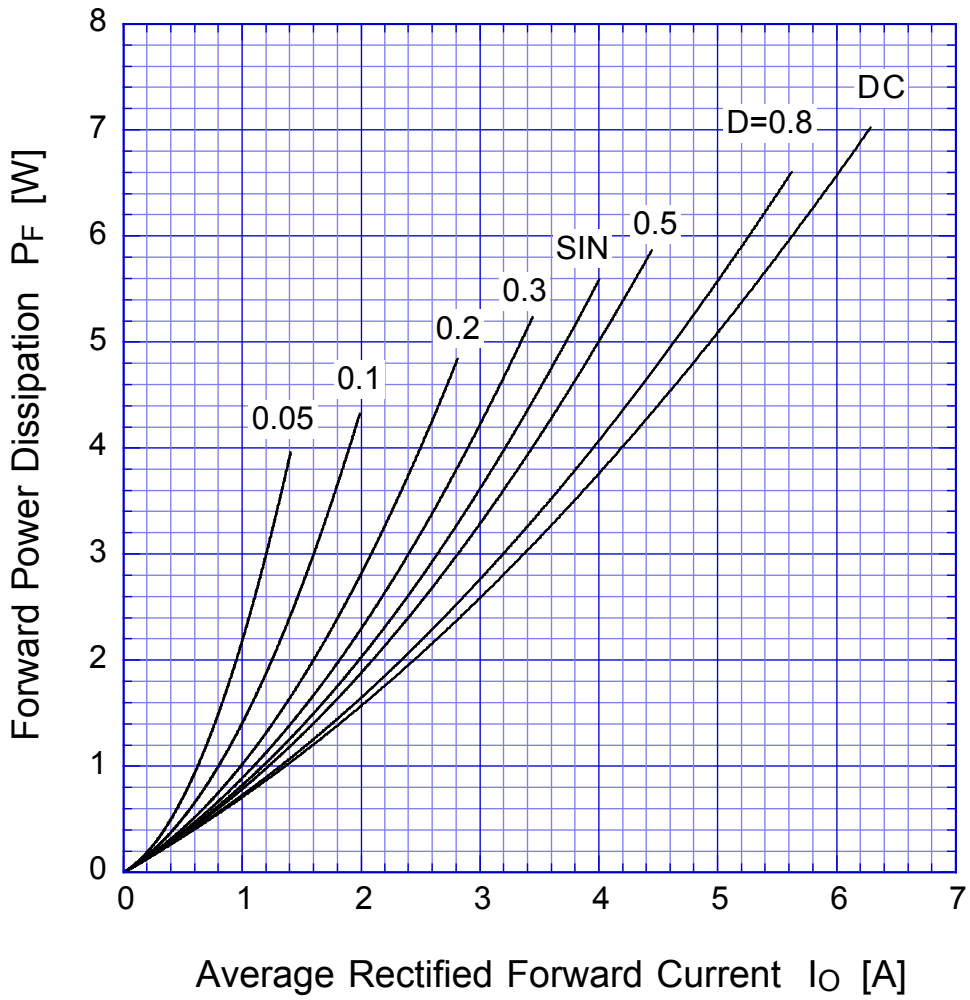
D4SBS4 Reverse Power Dissipation



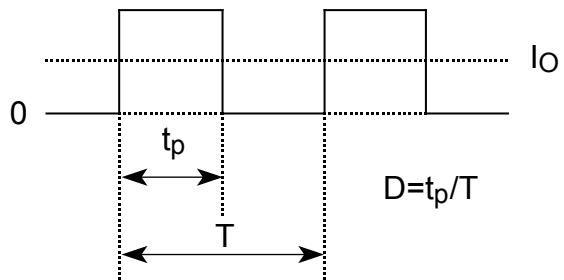
$T_j = 150^\circ\text{C}$



D4SBS4 Forward Power Dissipation

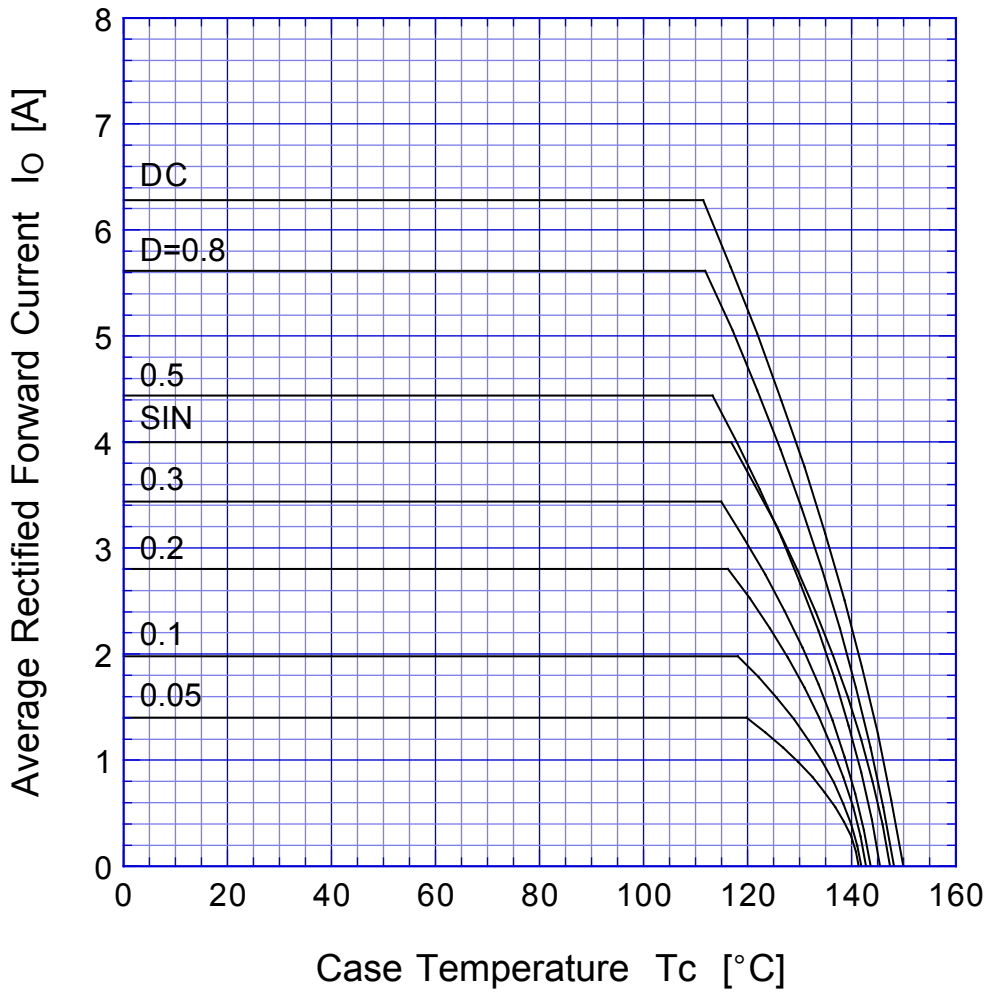


$T_j = 150^\circ\text{C}$

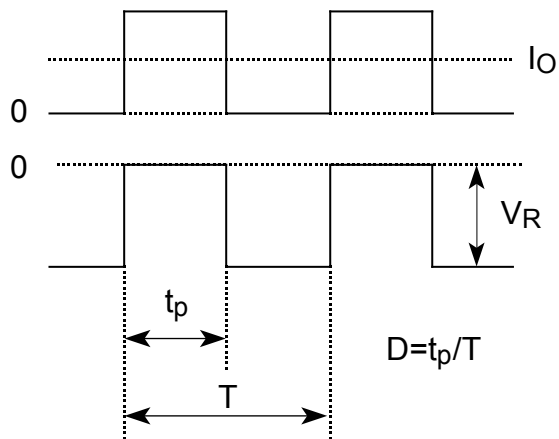


D4SBS4

Derating Curve

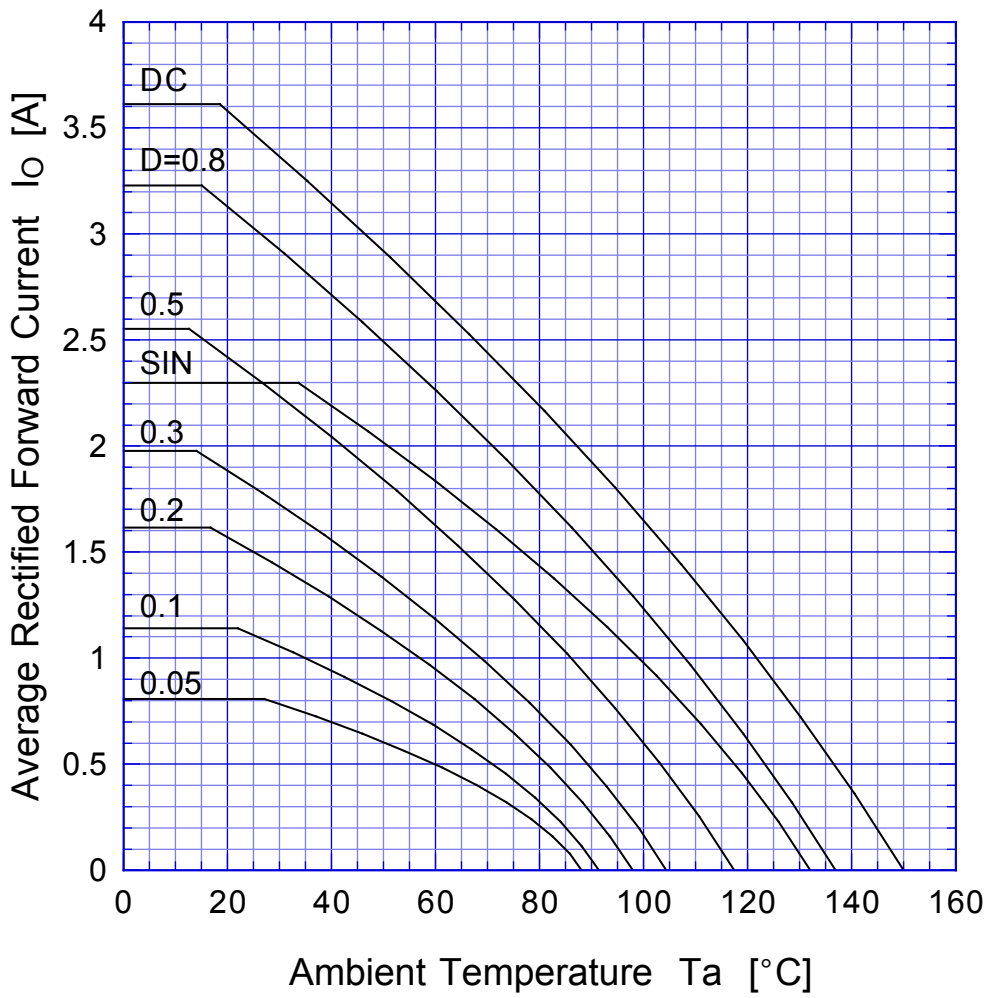


$V_R = 20V$

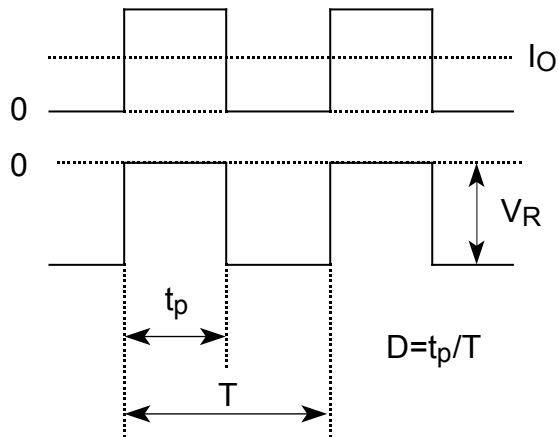


D4SBS4

Derating Curve

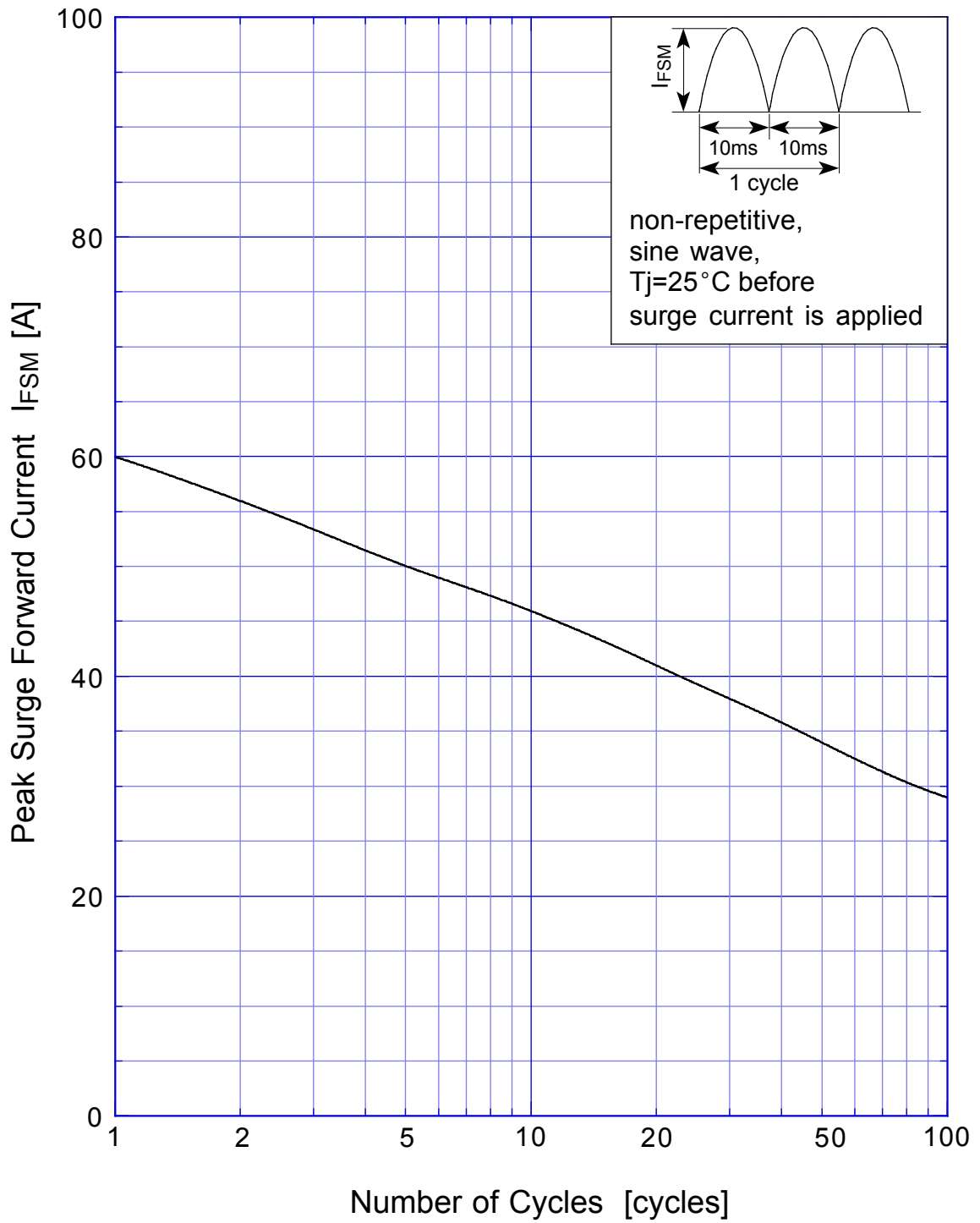


$V_R = 20V$



D4SBS4

Peak Surge Forward Capability



SBD Repetitive Surge Reverse Power Derating Curve



SBD

Repetitive Surge Reverse Power Capability

