

SHINDENGEN

Schottky Rectifiers (SBD)

Single

D1FP3

30V 2A

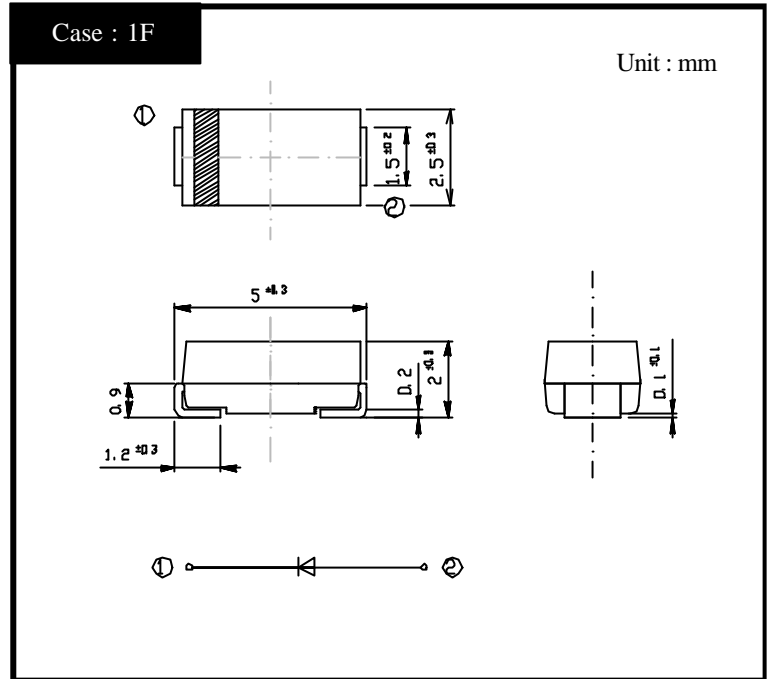
FEATURES

Small SMT
Super low $V_F=0.4V$

APPLICATION

Reversed Battery Connection Protection
DC OR output
DC/DC converter
Mobile telephone, personal computer

OUTLINE DIMENSIONS



RATINGS

Absolute Maximum Ratings (If not specified $T_I=25$)

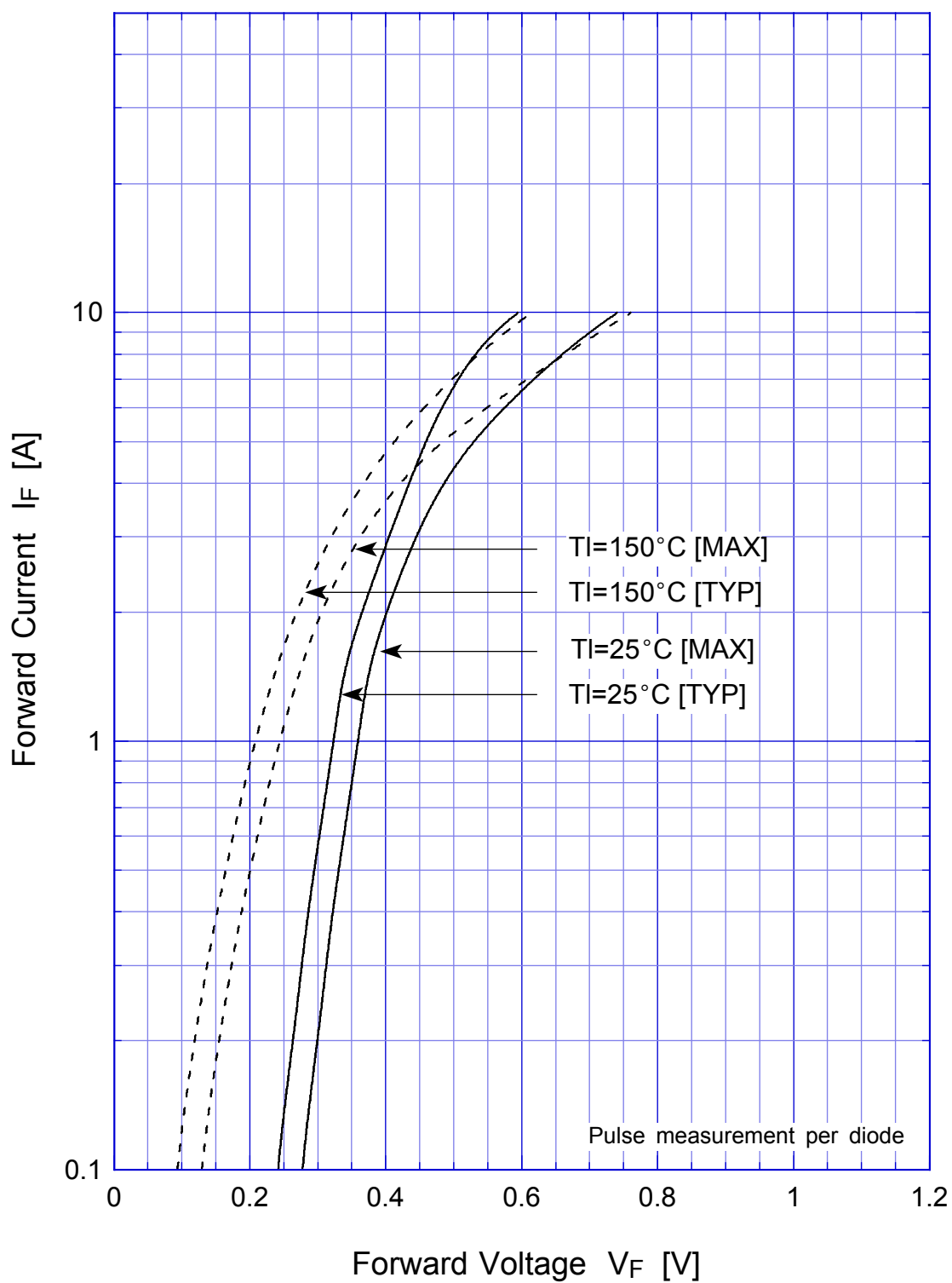
Item	Symbol	Conditions	Ratings	Unit
Storage Temperature	T_{stg}		-55 ~ 125	
Operating Junction Temperature	T_j		125	
Maximum Reverse Voltage	V_{RM}		30	V
Repetitive Peak Surge Reverse Voltage	V_{RRSM}	Pulse width 0.5ms, duty 1/40	35	V
Average Rectified Forward Current	I_O	50Hz sine wave, R-load, $T_I=98$	2.0	A
Peak Surge Forward Current	I_{FSM}	50Hz sine wave, Non-repetitive 1 cycle peak value, $T_j=25$	60	A

Electrical Characteristics (If not specified $T_I=25$)

Item	Symbol	Conditions	Ratings	Unit
Forward Voltage	V_F	$I_F=0.8A$, Pulse measurement	Max.0.35	V
		$I_F=2A$, Pulse measurement	Max.0.40	V
Reverse Current	I_R	$V_R=V_{RM}$, Pulse measurement	Max.4.5	mA
Junction Capacitance	C_j	$f=1MHz$, $V_R=10V$	Typ.130	pF
Thermal Resistance	j_l	junction to lead	Max.23	
		junction to ambient On alumina substrate	Max.108	/W
		junction to ambient On glass-epoxy substrate	Max.157	

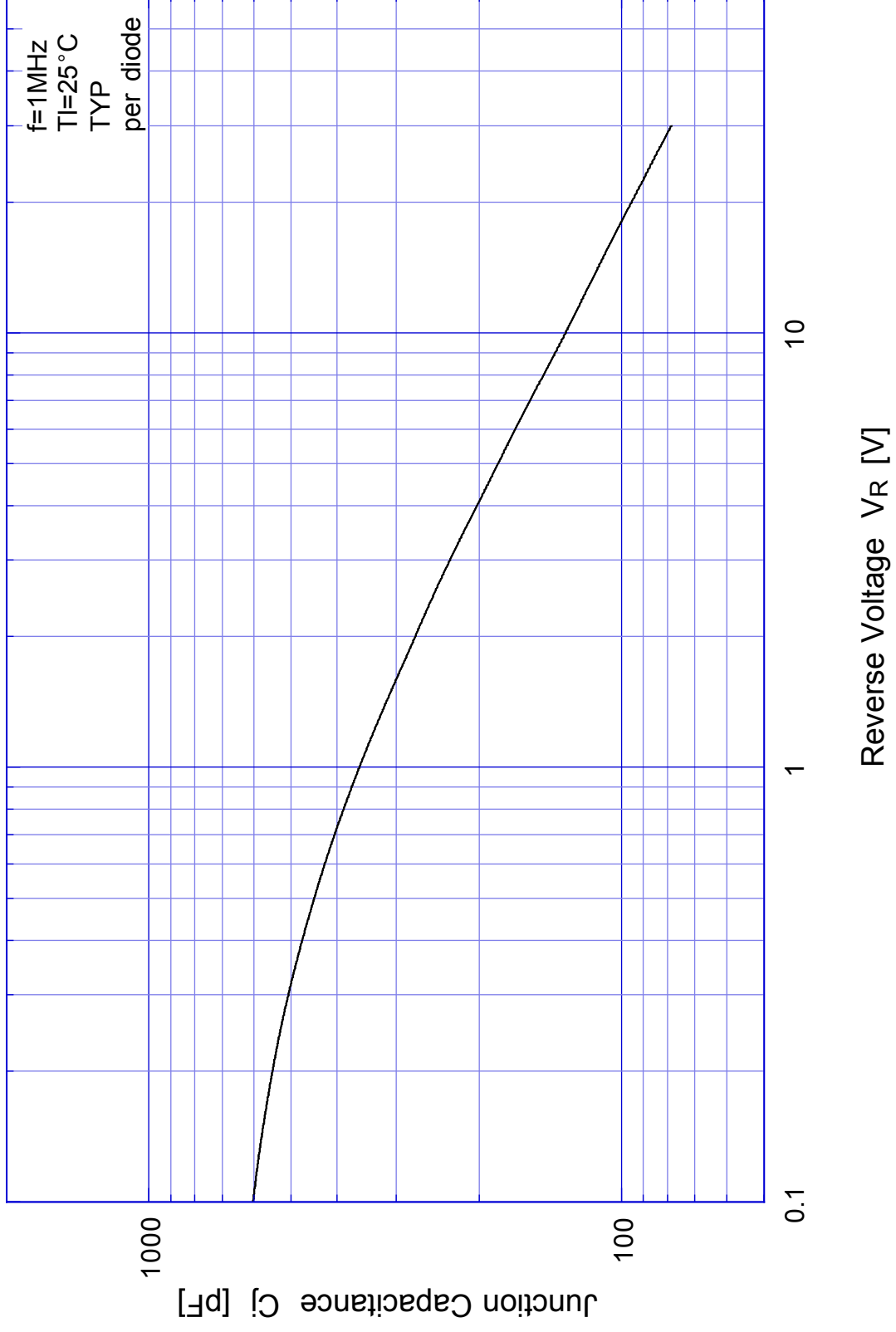
D1FP3

Forward Voltage



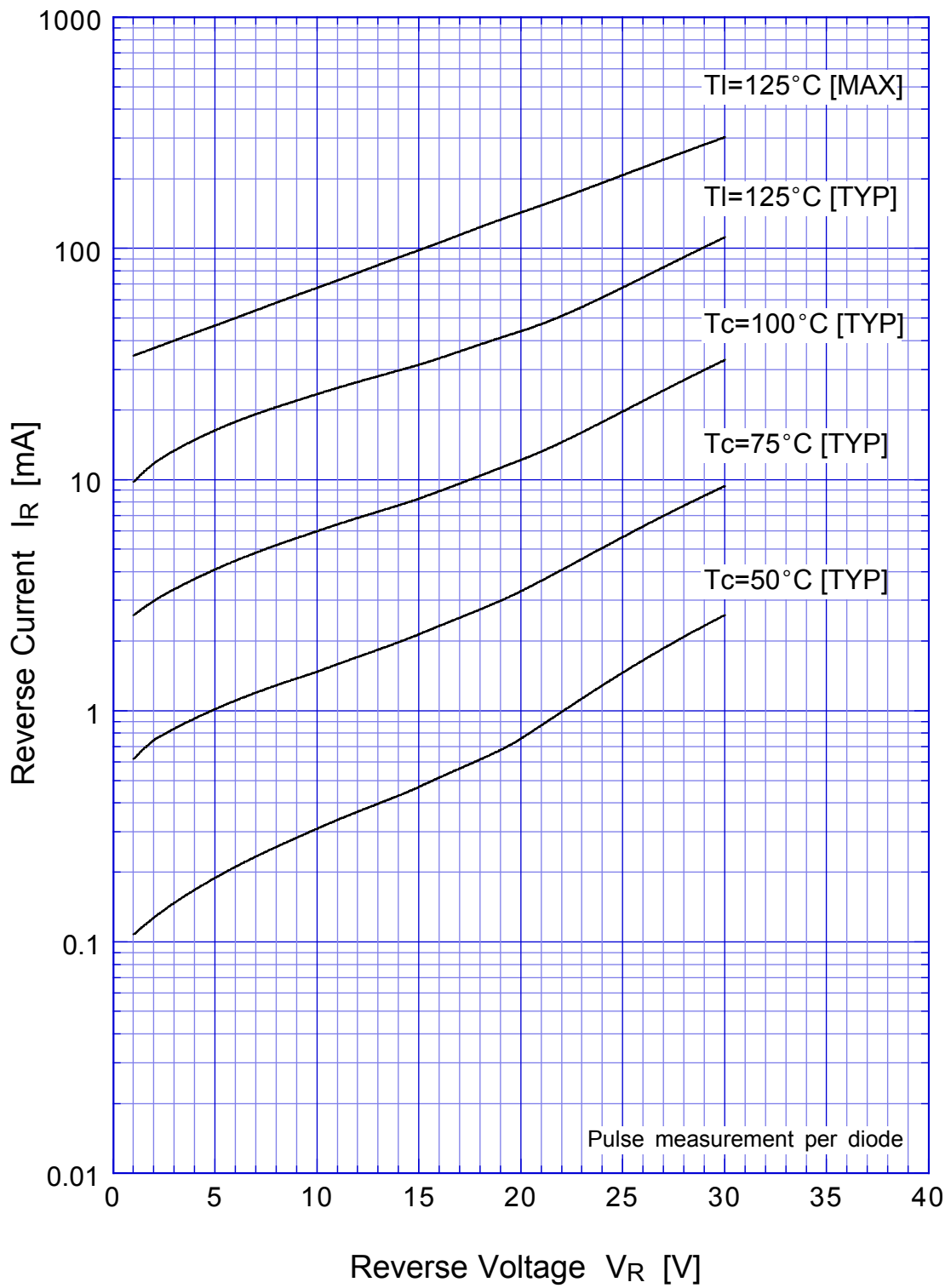
D1FP3

Junction Capacitance



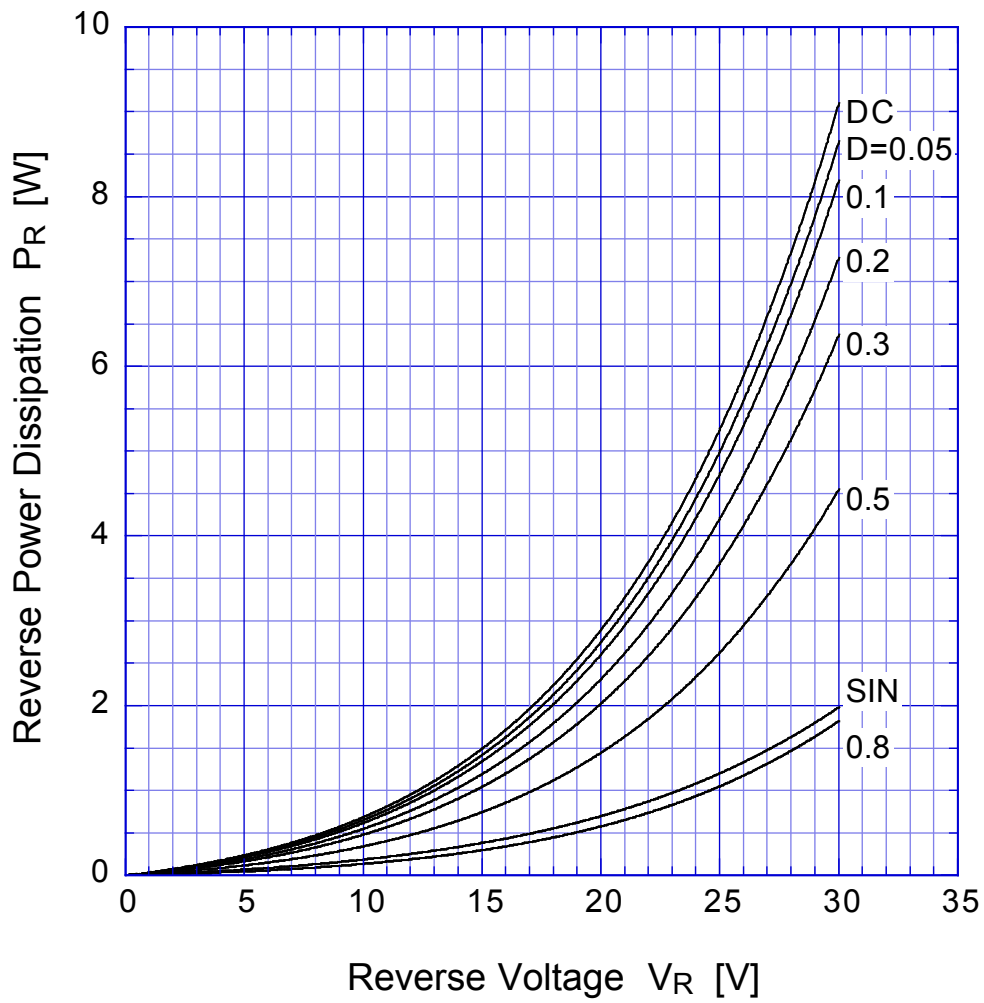
D1FP3

Reverse Current

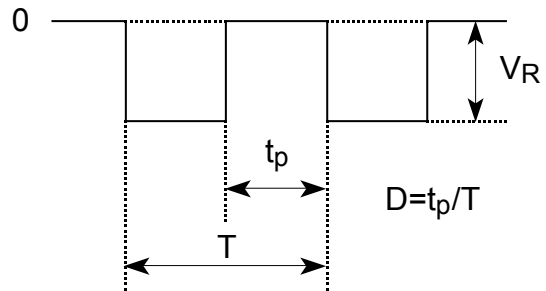


D1FP3

Reverse Power Dissipation

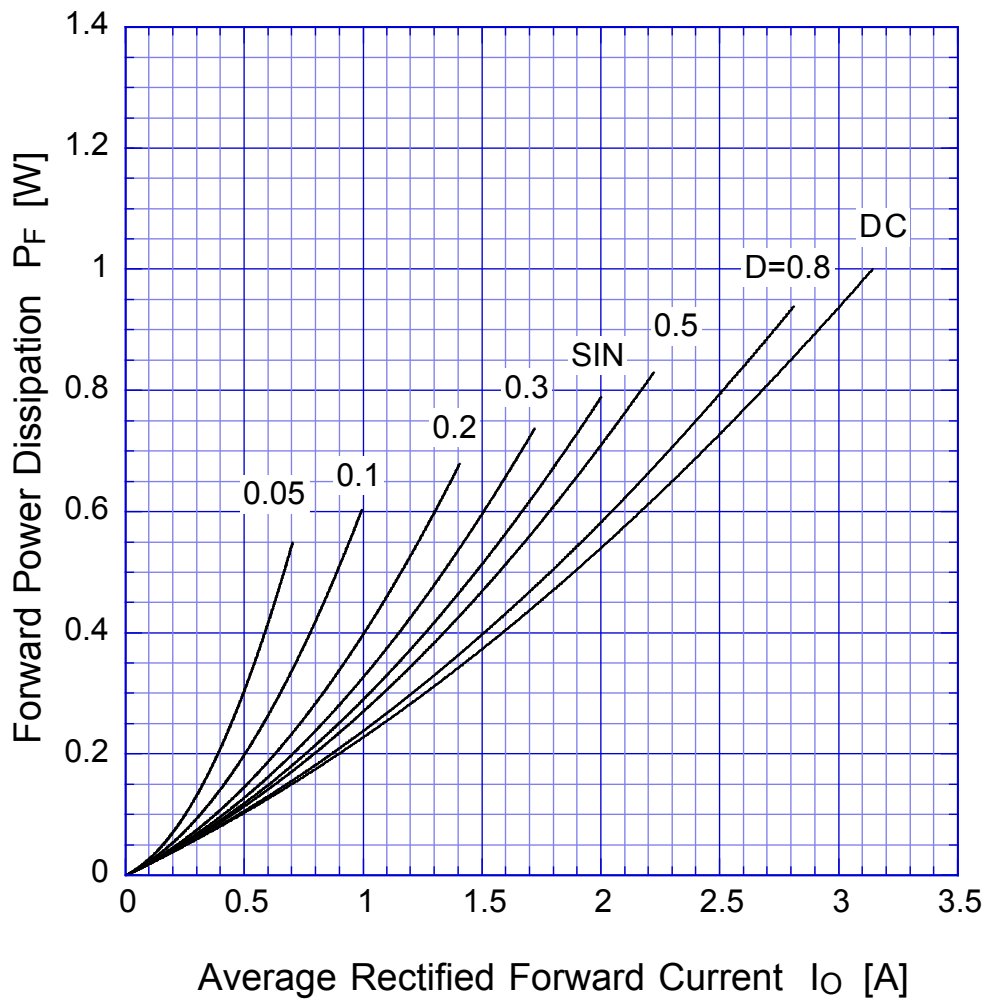


$T_j = 125^\circ\text{C}$

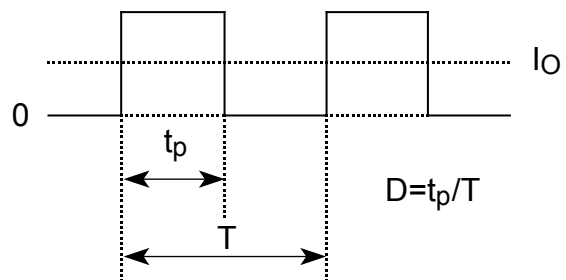


D1FP3

Forward Power Dissipation

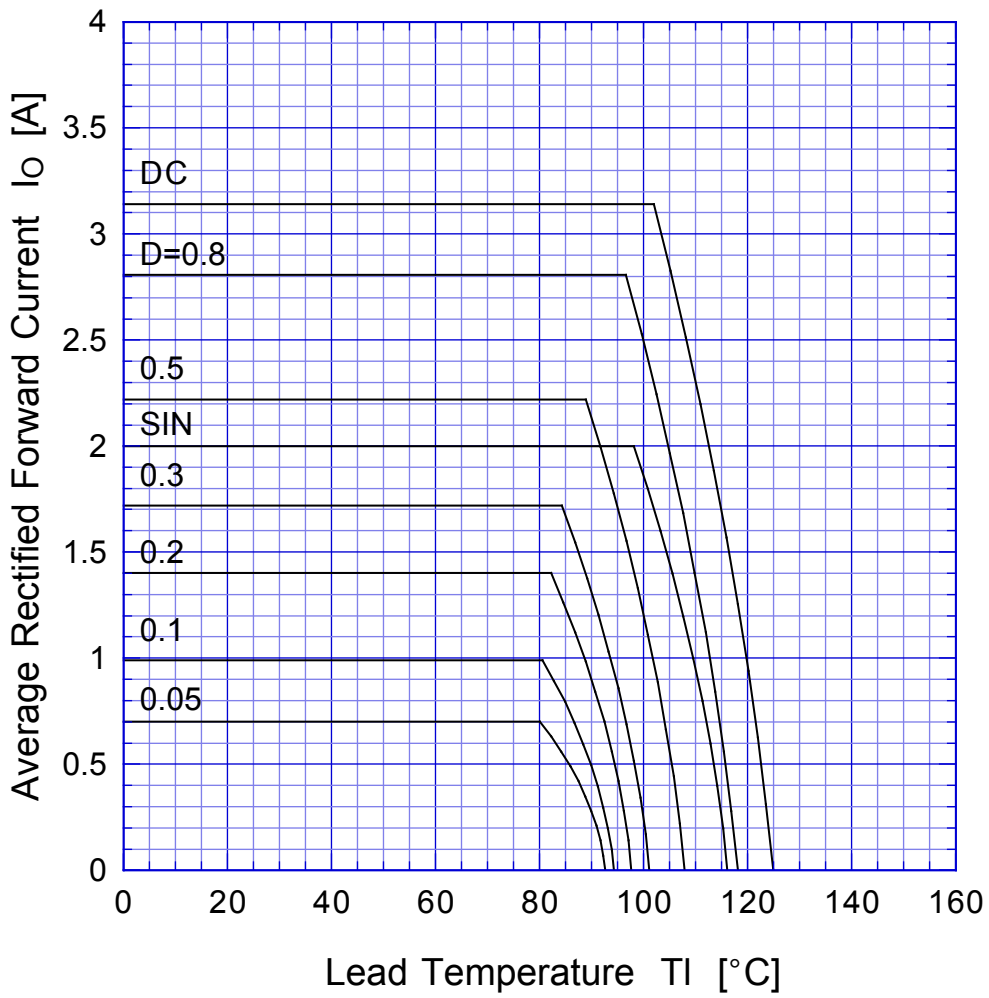


$T_j = 125^\circ\text{C}$

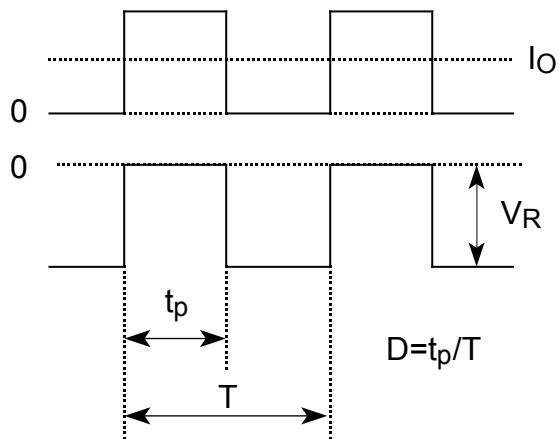


D1FP3

Derating Curve



$V_R = 15V$



D1FP3

Peak Surge Forward Capability

