

SHINDENGEN

Schottky Rectifiers (SBD)

Single

S2S6M

60V 1.3A

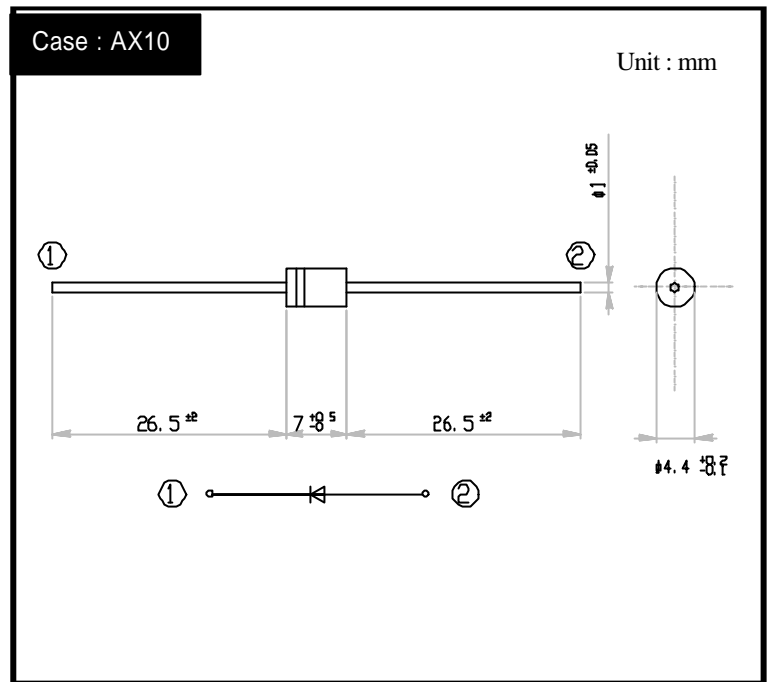
FEATURES

Tj150
 P_{RRSM} avalanche guaranteed
 1.0 lead

APPLICATION

Switching power supply
 DC/DC converter
 Home Appliances, Office Equipment
 Telecommunication

OUTLINE DIMENSIONS



RATINGS

Absolute Maximum Ratings (If not specified Tl=25)

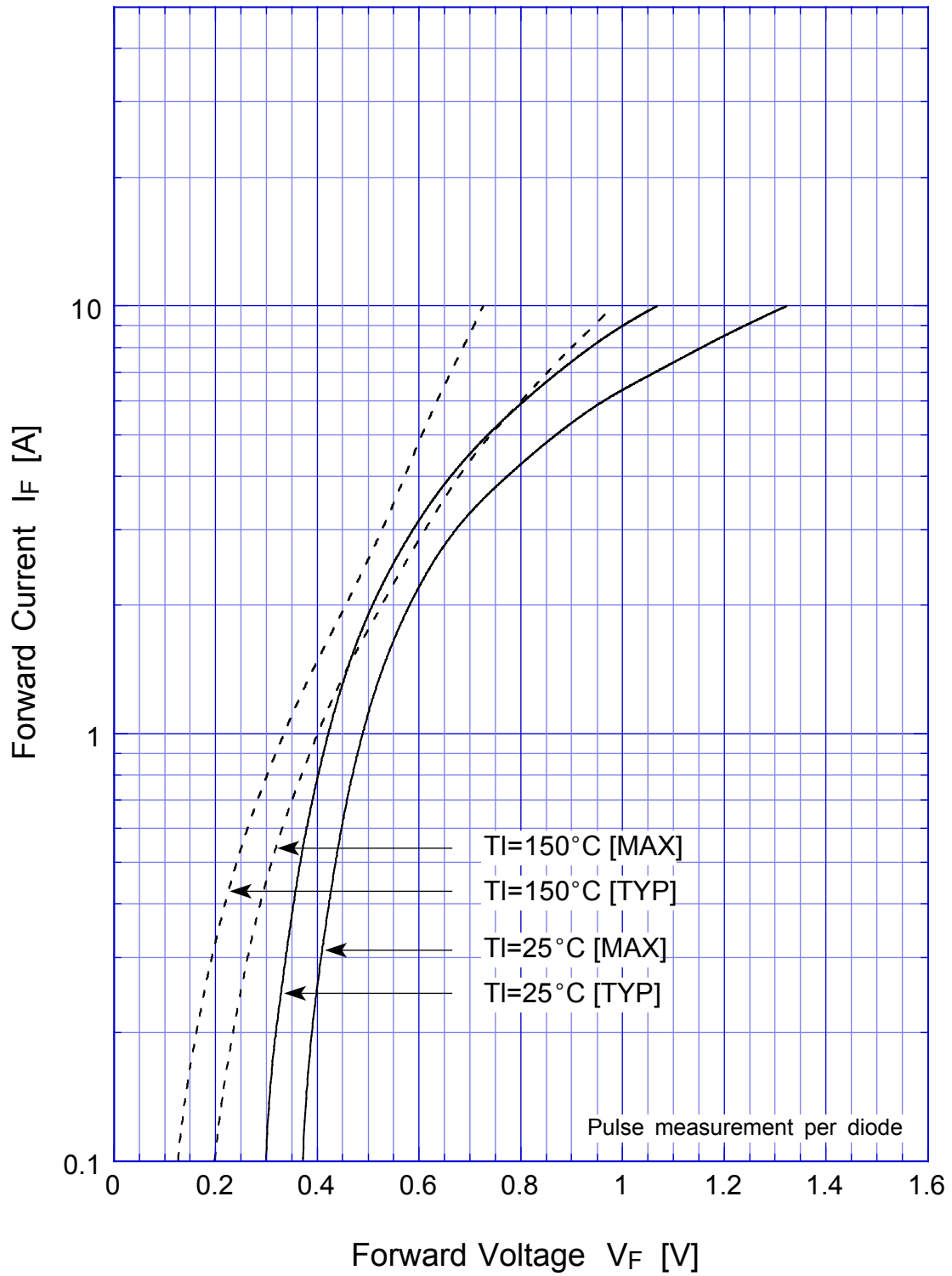
Item	Symbol	Conditions	Ratings	Unit
Storage Temperature	Tstg		-40 ~ 150	
Operating Junction Temperature	Tj		150	
Maximum Reverse Voltage	V _{RM}		60	V
Repetitive Peak Surge Reverse Voltage	V _{RRSM}	Pulse width 0.5ms, duty 1/40	65	V
Average Rectified Forward Current	I _O	50Hz sine wave, R-load, Ta=52	1.3	A
Peak Surge Forward Current	I _{FSM}	50Hz sine wave, Non-repetitive 1 cycle peak value, Tj=25	60	A
Repetitive Peak Surge Reverse Power	P _{RRSM}	Pulse width 10 μs, Tj=25	160	W

Electrical Characteristics (If not specified Tl=25)

Item	Symbol	Conditions	Ratings	Unit
Forward Voltage	V _F	I _F =2A, Pulse measurement	Max.0.58	V
Reverse Current	I _R	V _R =V _{RM} , Pulse measurement	Max.2	mA
Junction Capacitance	C _j	f=1MHz, V _R =10V	Typ.120	pF
Thermal Resistance	j _l	junction to lead	Max.8	/W
	j _a	junction to ambient	Max.86	

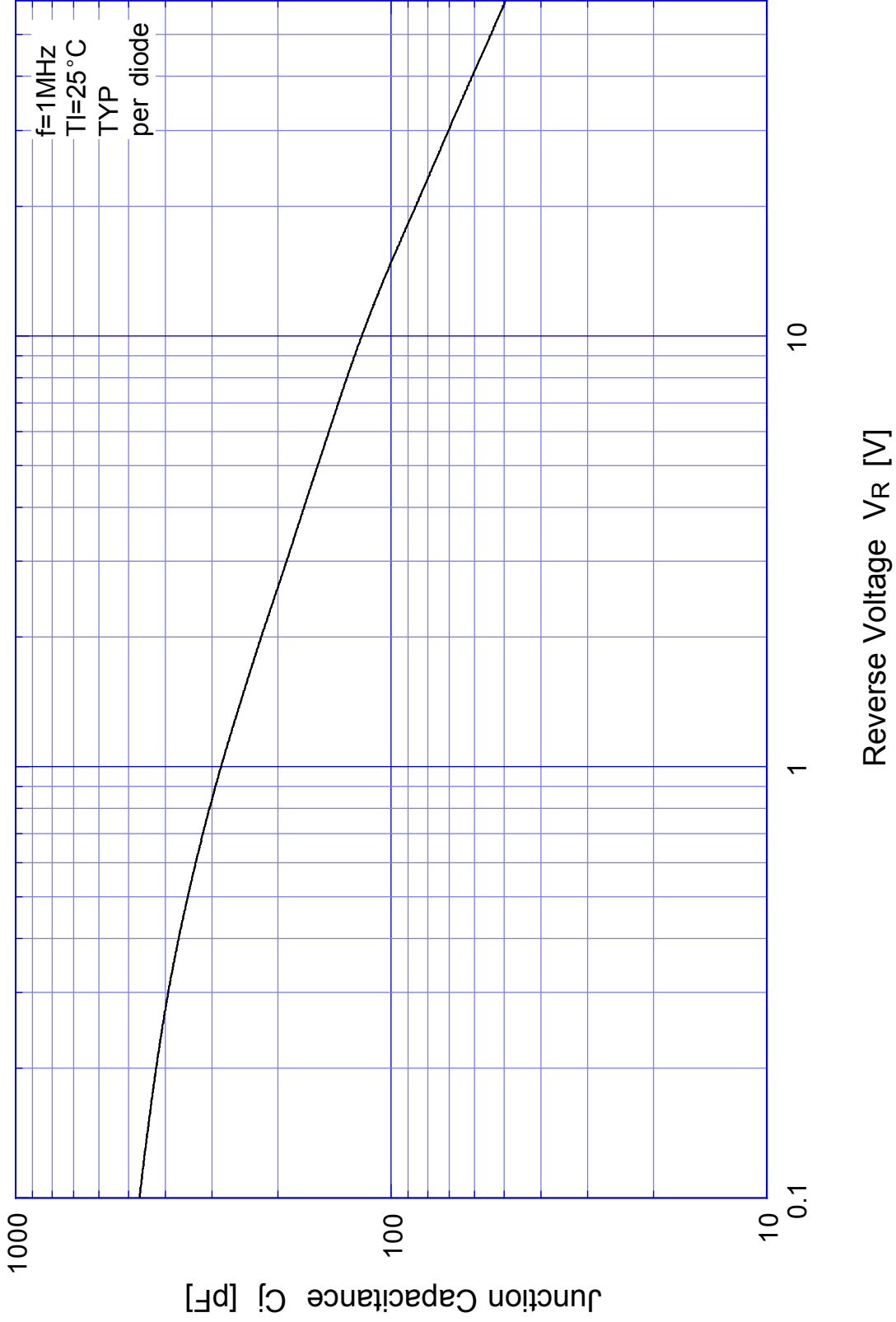
S2S6M

Forward Voltage



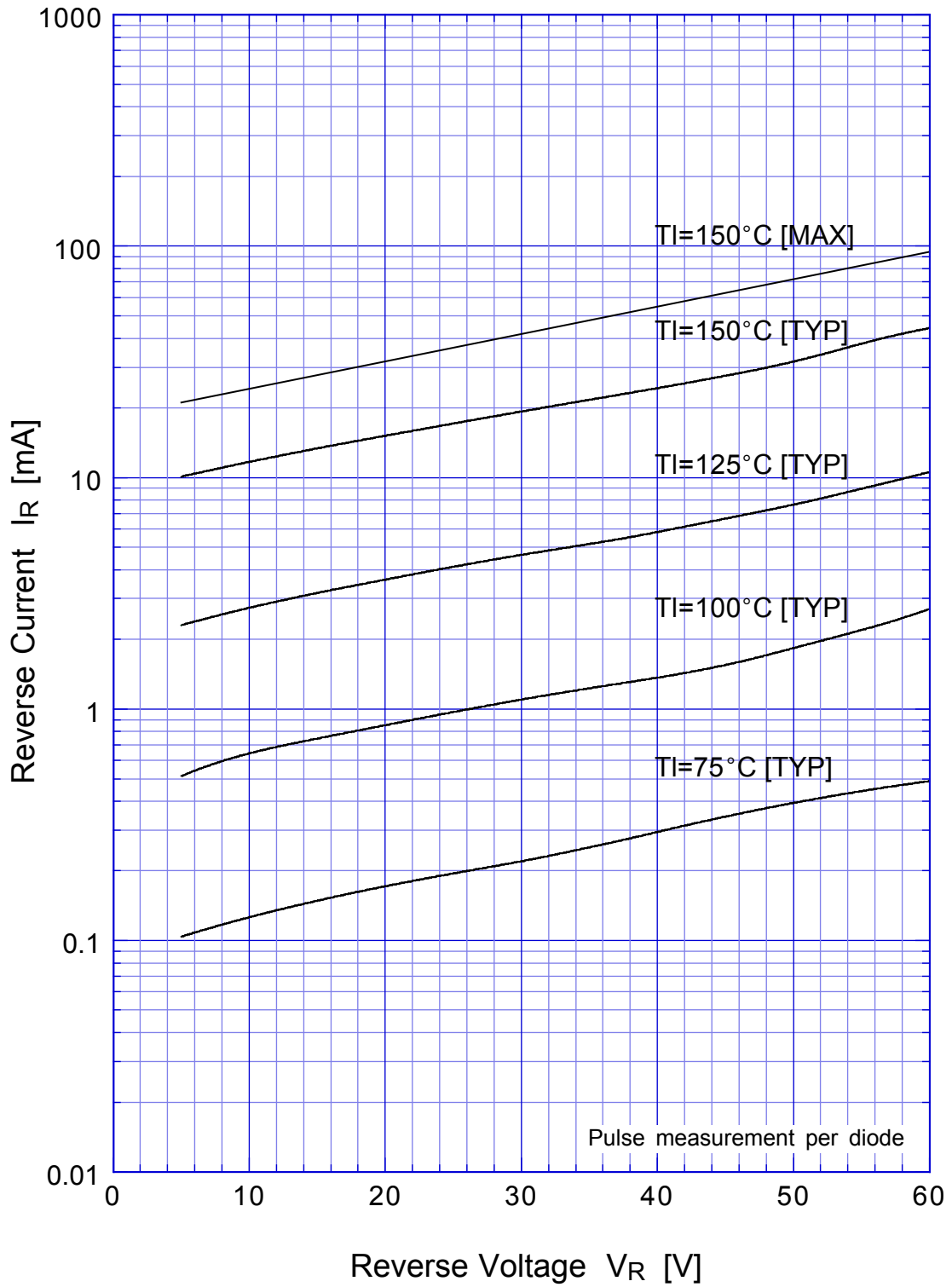
S2S6M

Junction Capacitance



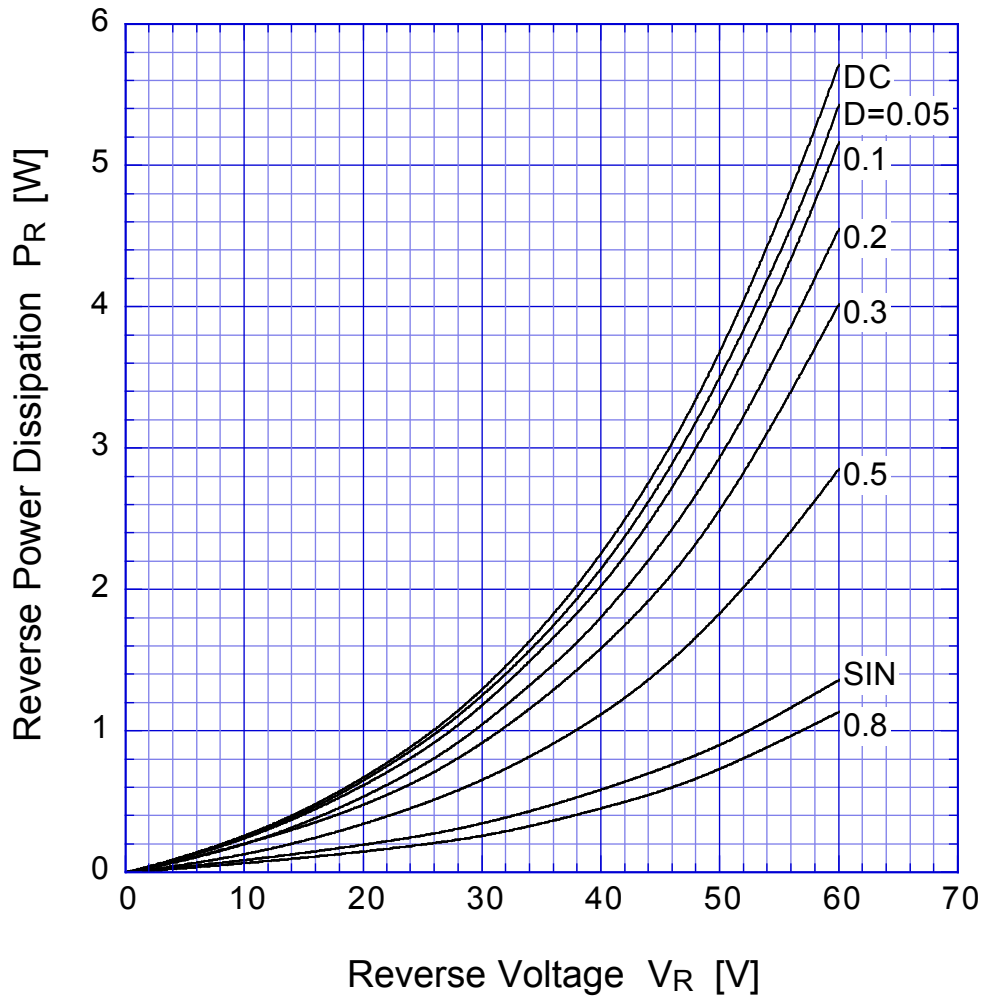
S2S6M

Reverse Current

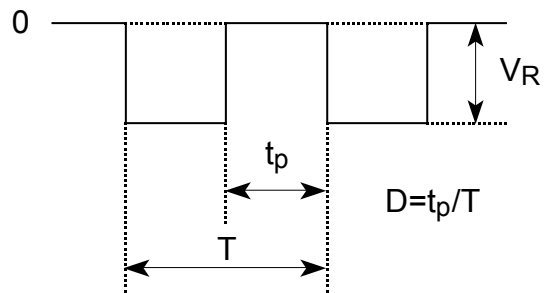


S2S6M

Reverse Power Dissipation

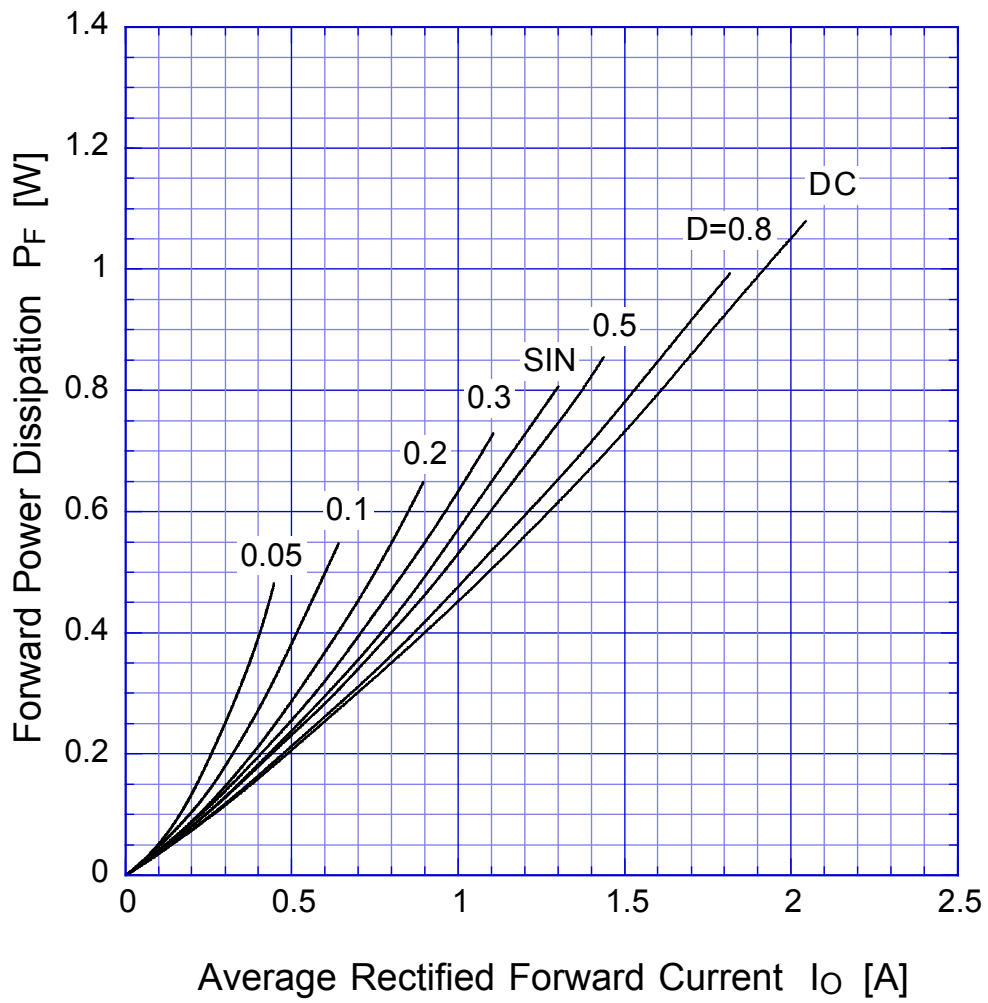


$T_j = 150^\circ\text{C}$

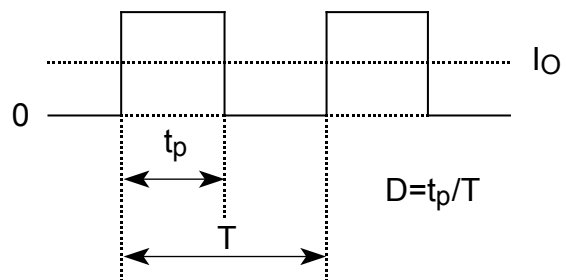


S2S6M

Forward Power Dissipation

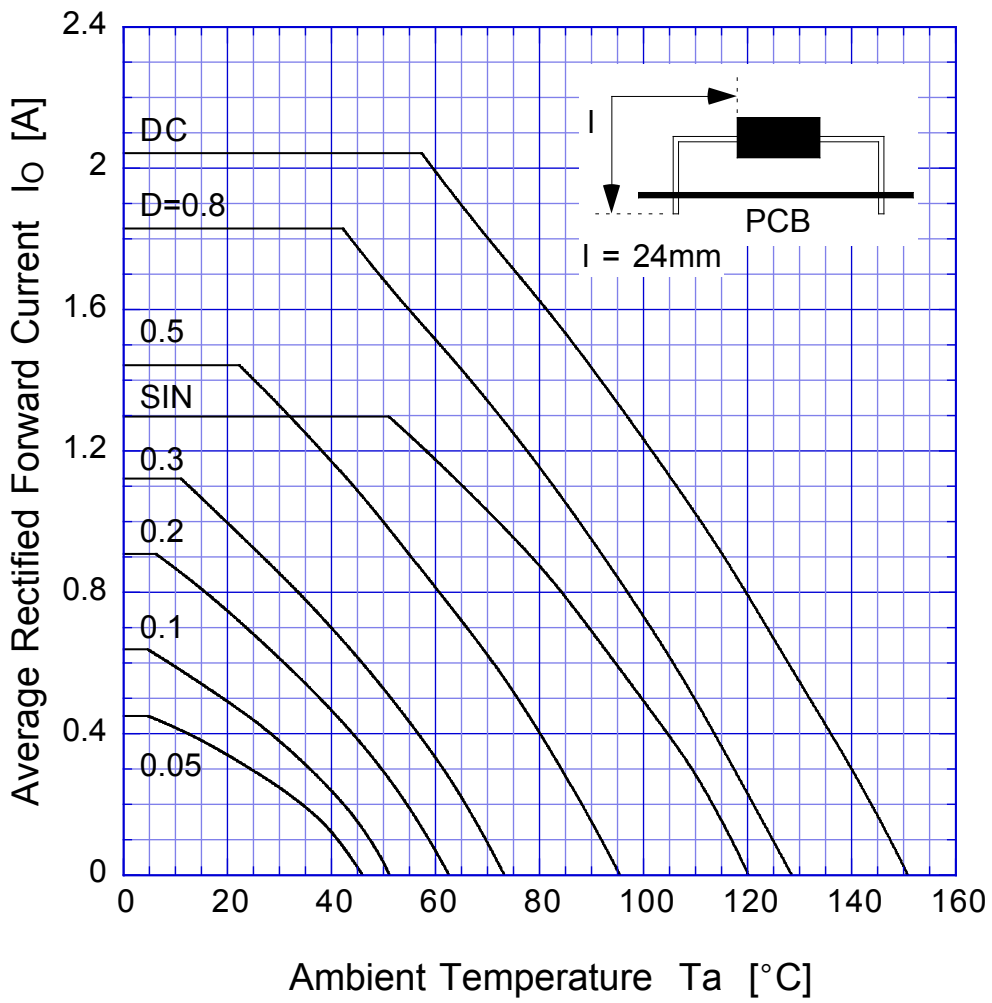


$T_j = 150^\circ\text{C}$

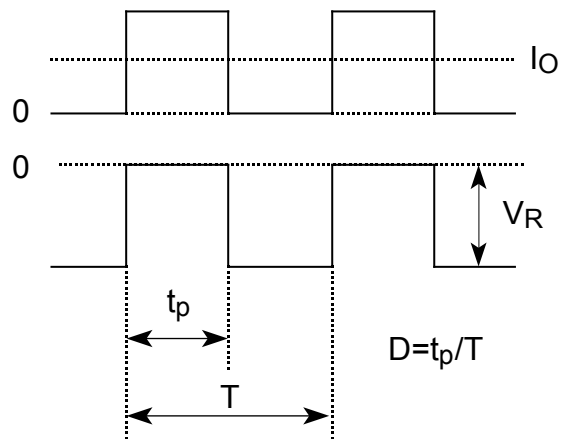


S2S6M

Derating Curve

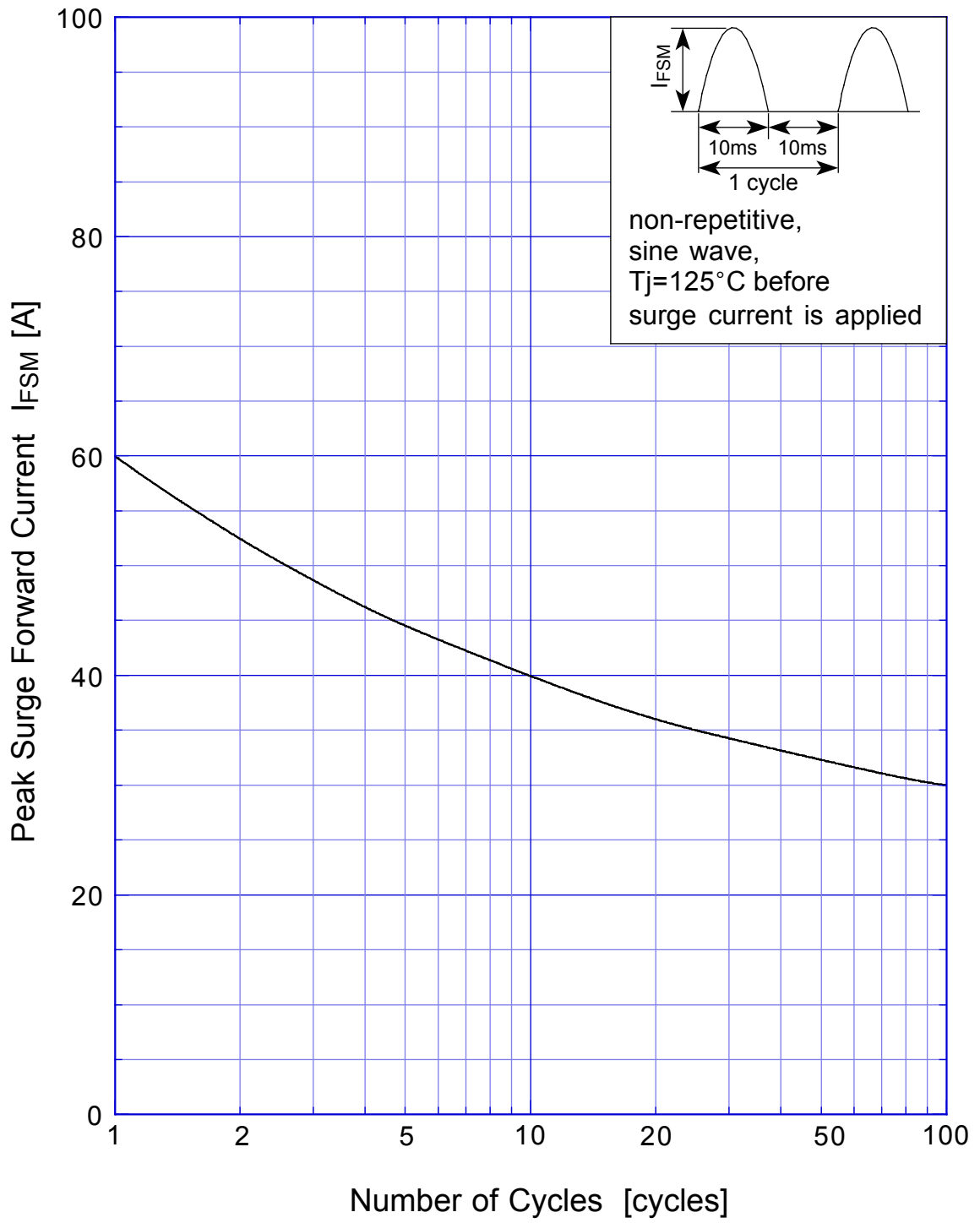


$V_R = 30\text{V}$



S2S6M

Peak Surge Forward Capability



SBD Repetitive Surge Reverse Power Derating Curve



SBD

Repetitive Surge Reverse Power Capability

