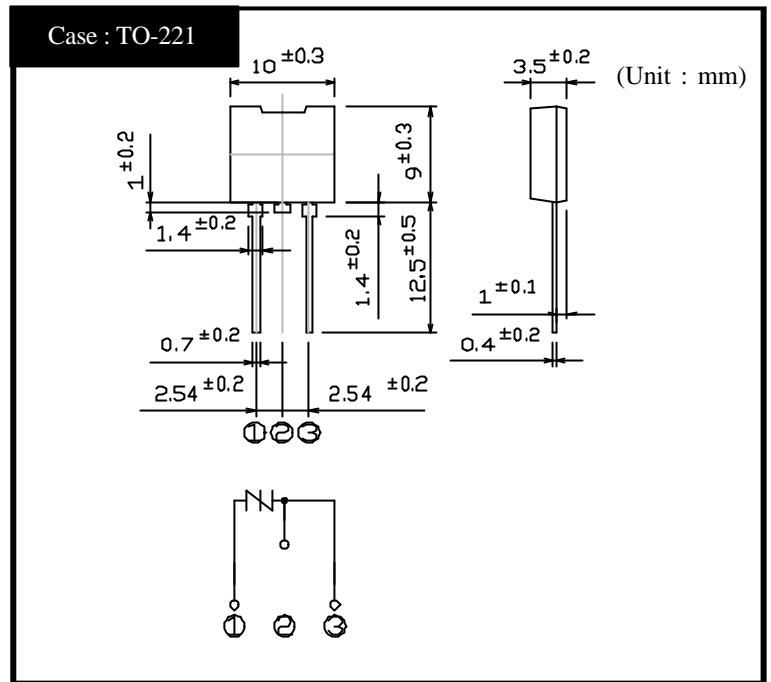


SHINDENGEN

TSS KT Series

KT40N14

OUTLINE DIMENSIONS



RATINGS

Absolute Maximum Ratings

Item	Symbol	Conditions	Ratings	Unit
Storage Temperature	T _{stg}		-40 ~ 125	
Junction Temperature	T _j		125	
Maximum Off-State Voltage	V _{DRM}		120	V
Surge On-State Current	I _{TSM}	10/1000 μ s, Non-repetitive	400	A
		15/100 μ s, Non-repetitive	1000	

Electrical Characteristics (Tl=25 °C)

Item	Symbol	Conditions	Ratings	Unit
Breakover Voltage	V _{BO}	Pulse measurement (Peak hold)	Min 130	V
Off-State Current	I _{DRM}	V _D = V _{DRM}	Max 10	μ A
Holding Current	I _H	Pulse measurement	Min 200	mA
On-State Voltage	V _T	I _T = 2A	TYP 1.8	V
Junction Capacitance	C _j	f = 1kHz OSC = 1V, V _D = 50V	Max 300	pF
Clamping Voltage	V _{CL}	dv/dt = 100V/ μ s	Max 195	V