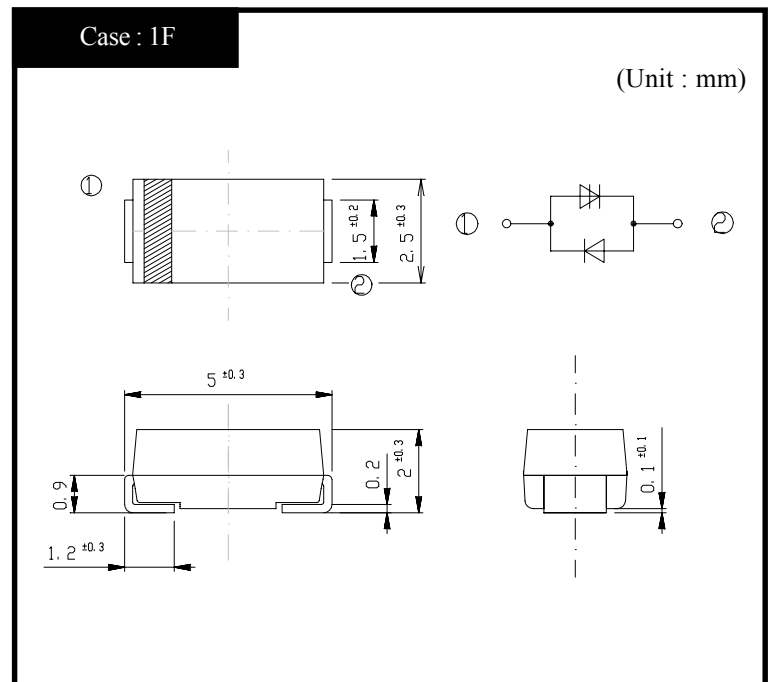


# ST04-16F1

### OUTLINE DIMENSIONS



### RATINGS

#### ● Absolute Maximum Ratings

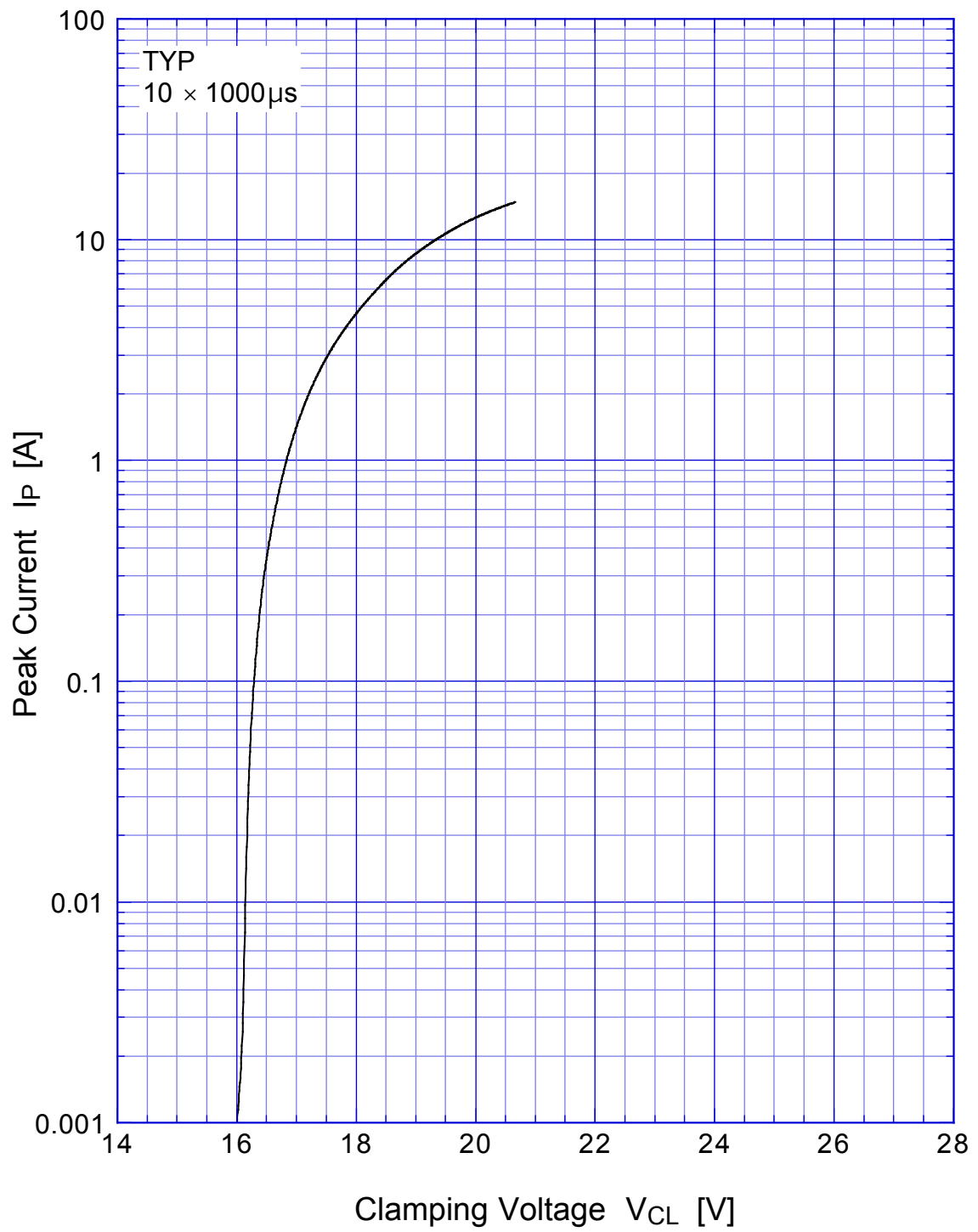
Item	Symbol	Conditions	Ratings	Unit
Storage Temperature	$T_{stg}$		-55~175	°C
Junction Temperature	$T_j$		150	°C
Peak Surge Reverse Current	$I_{RSM}$	10/1000 $\mu$ s, Non-repetitive	15	A
		10/200 $\mu$ s, Non-repetitive	28	
Maximum Reverse Voltage	$V_{RM}$		13.6	V

#### ● Electrical Characteristics (Tl=25°C)

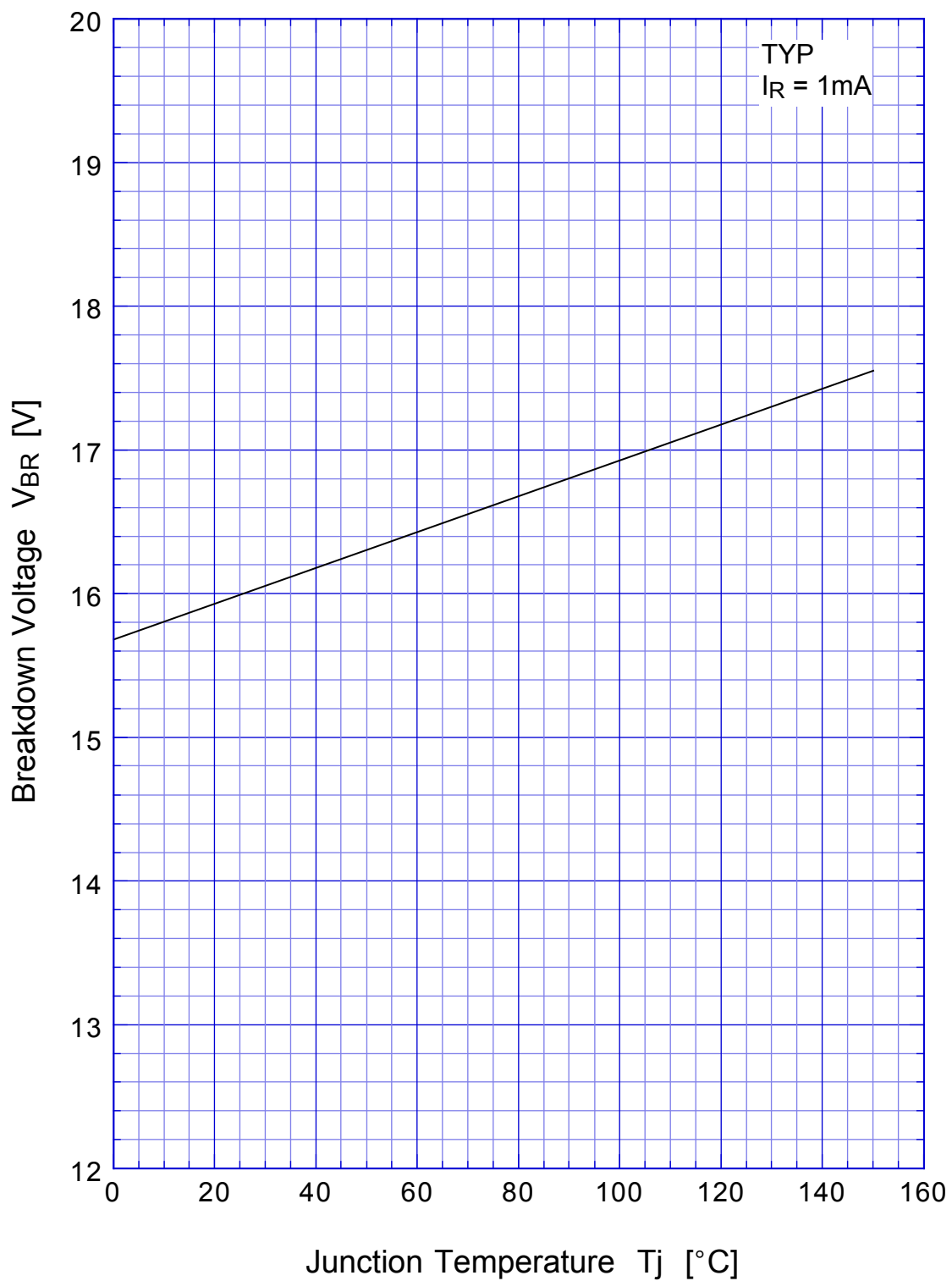
Item	Symbol	Conditions	Ratings	Unit
Breakdown Voltage	$V_{BR}$	$I_R = 1mA$	14.4~17.6	V
Clamping Voltage	$V_{CL}$	$I_{PP} = 15A$	MAX 23	V
Reverse Current	$I_R$	$V_R = 13.6V$	MAX 5	$\mu$ A

ST04-16F1

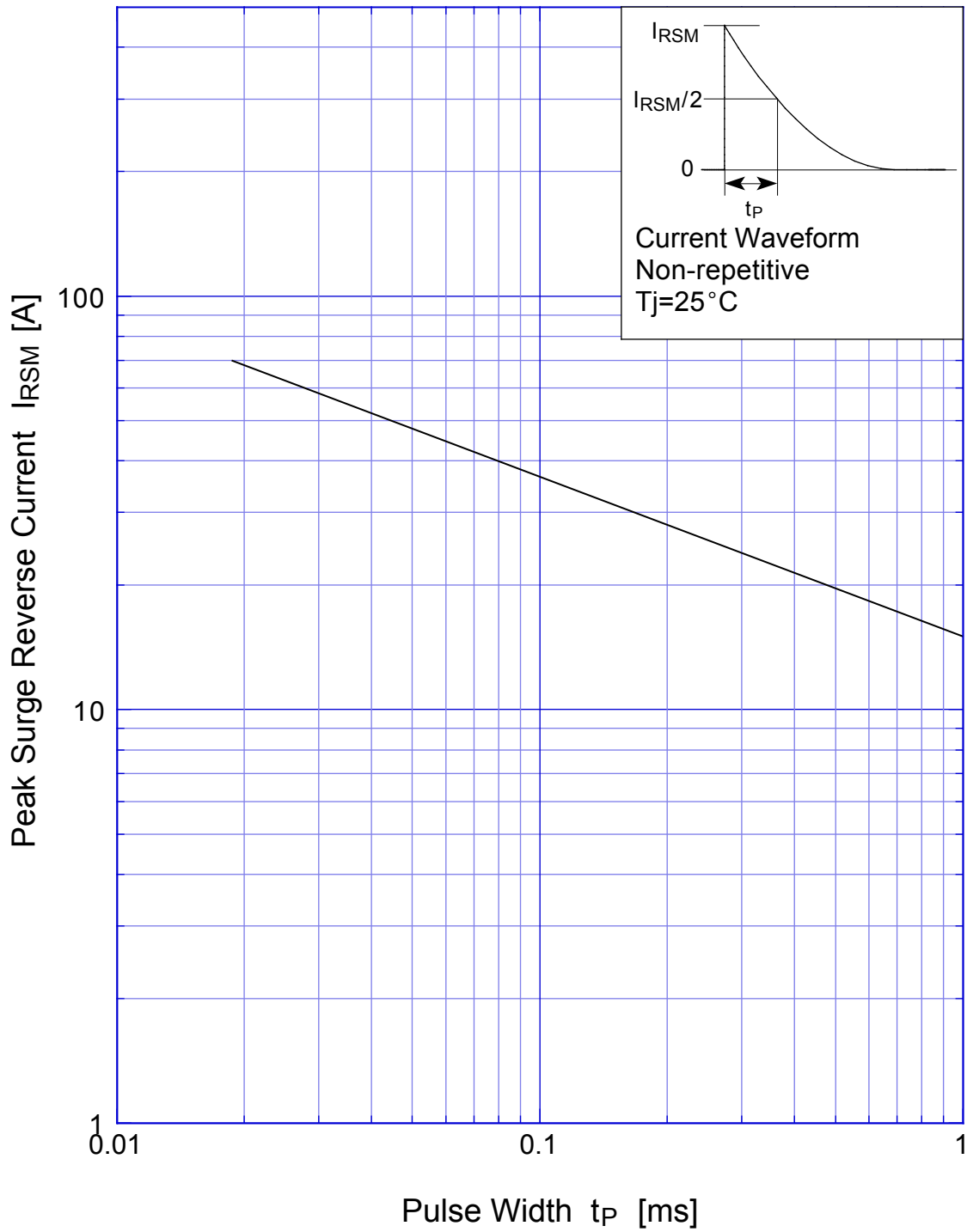
Clamping Voltage



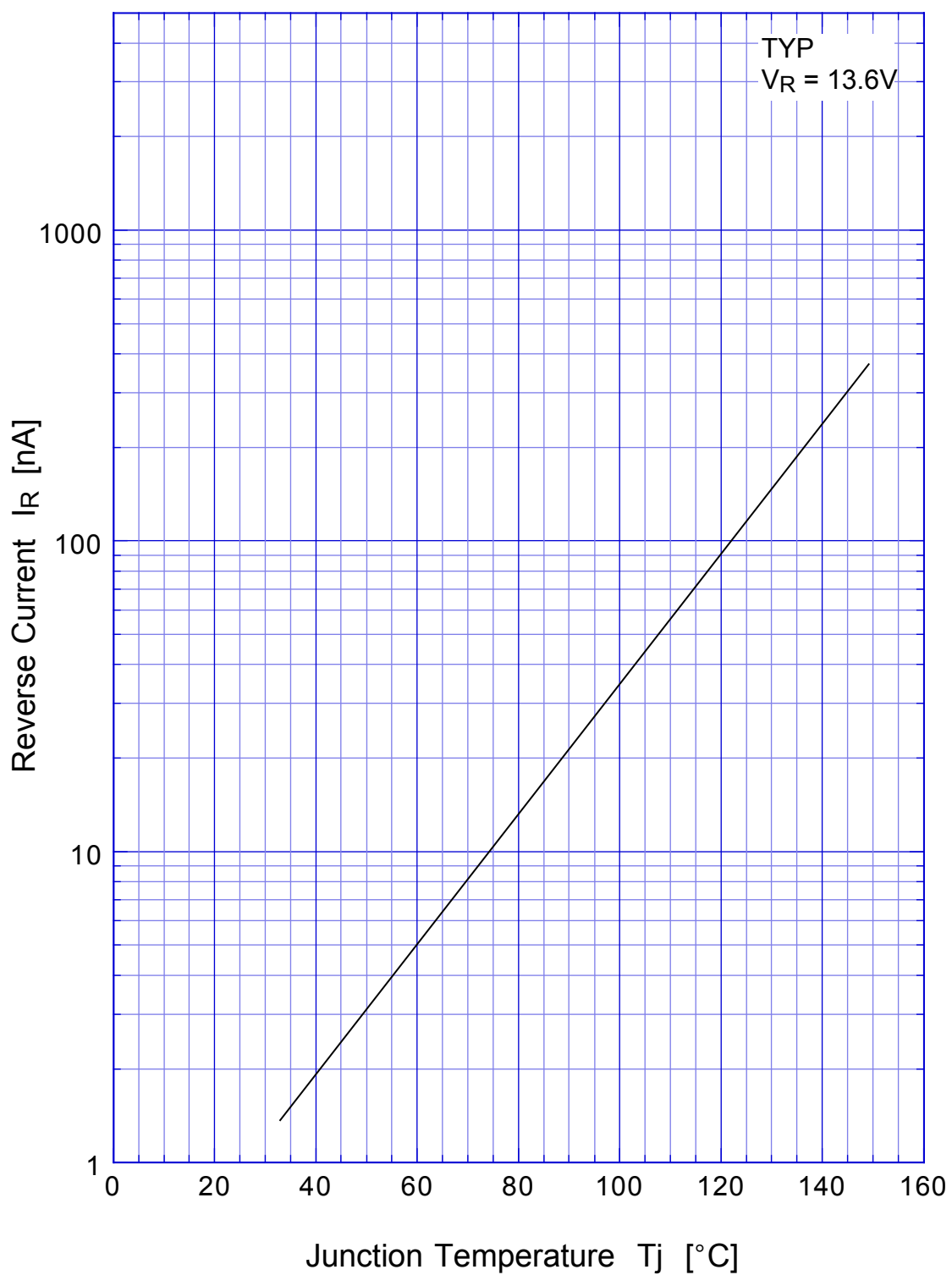
# ST04-16F1 Breakdown Voltage



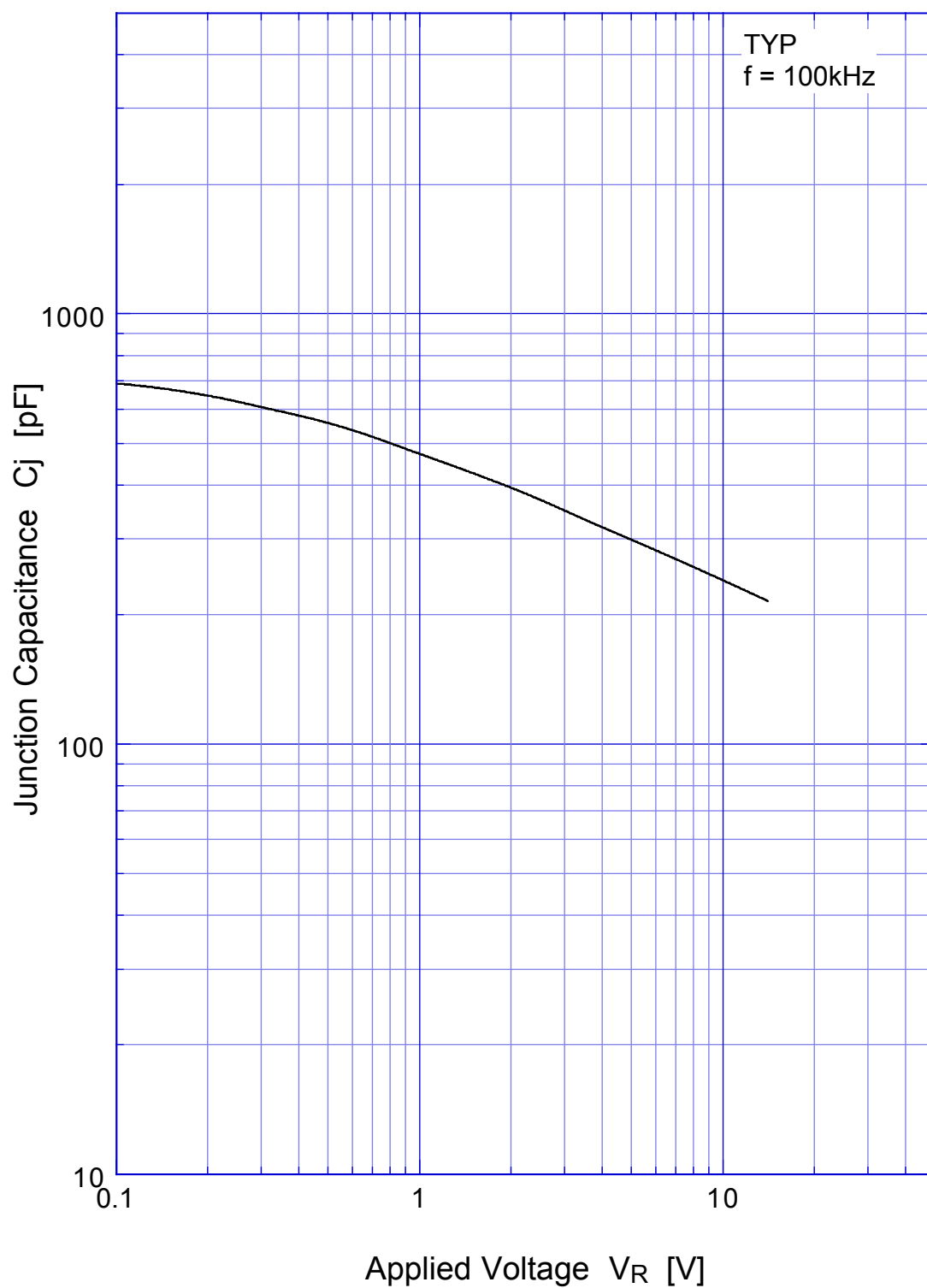
# ST04-16F1 Peak Surge Reverse Current



# ST04-16F1 Reverse Current



# ST04-16F1 Junction Capacitance



# ST04-16F1 Junction Capacitance

