

SAA-1 Series

Single-Mode FC ADAPTOR

TECHNICAL SPECIFICATIONS

Seiko Instruments Inc.

Components Sales Dept.

8, Nakase 1-Chome

Mihama-ku, Chiba-shi, Chiba-ken

261 JAPAN

Telephone : 043-211-1214

-1215

Facsimile : 043-211-8035

SAA-1 Series Single-Mode FC ADAPTOR
TECHNICAL SPECIFICATIONS

Document Number NCD-5DC2-01

NAE63D01 " SAA-1 Part " May 1986
NAE63D02 " SAA-1 Part " September 1986
SSA930305 March 1993
39055-2016-01 September 1993
NCD-5DC2-01 December 1995

Copyright 1986, 1993, 1995 by **Seiko Instruments Inc.**
All right reserved.

The information contained herein shall not reproduced or disclosed to any third party without the express written consent of **SII**.

The Specifications contained herein are subject to change without notice.

SII is a trademark of **Seiko Instruments Inc.**

Please address any questions, comments, and suggestions to:

Seiko Instruments USA Inc.

Electronics Components Division
2990 West Lomita Boulevard
Torrance, CA 90505, U.S.A.
Phone: 310-517-7780
Fax: 310-517-7792

Seiko Instruments GmbH

OFC Division
Siemensstraße 9b
D-63263 Neu-Isenburg, Germany
Phone: 06102-297-0
Fax: 06102-297-211

Seiko Instruments (H.K.) Ltd.

Sales Department
4th & 5th Floor, Wyler Center 2
200 Tai Lin Pai Road, Kwai Chung
N.T., Kowloon, Hong Kong
Phone: 852-2421-8611
Fax: 852-2480-5479

Seiko Instruments Taiwan Inc.

Sales Department
5F-1, No.99, Sec. 2, Chung Shan
Rd.
Taipei 104, Taiwan, R.O.C.
Phone: 02-563-5001, 523-5111
Fax: 02-521-9519

Seiko Instruments Singapore pte. Ltd.

2, Marsiling Lane,
Woodlands New Town,
Singapore, 2573, Singapore
Phone: 65-2691370
Fax: 65-2699729

TABLE OF CONTENTS

Section	Page
1. PROVISION	1
1.1 Application Limit	1
2. PARTS NUMBER	1
3. GENERAL SPECIFICATIONS	2
3.1 Parts and Materials	2
3.2 Physical Dimensions	2
3.3 General Tolerances	2
3.4 Insertion Loss	3
4. PACKING	3
5. SHIPPING INSPECTION	3

Table

Table 1	Parts Number	1
Table 2	Parts and Materials	2
Table 3	General Tolerance	2
Table 4	Insertion Loss and the Measurement Conditions	3

Figure

Figure 1	Insertion Loss Measurement System	3
Figure 2	SAA-1 Adaptor	4
Figure 3 to 4	Part Dimensions	5

1. PROVISION

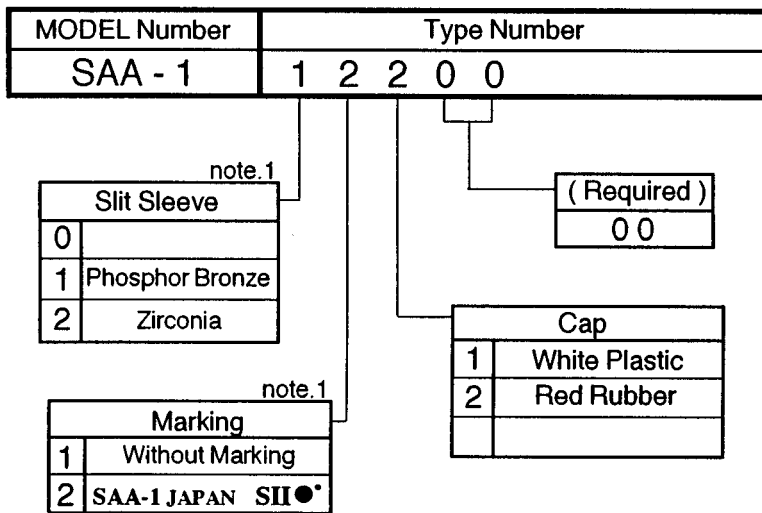
1.1 Application Limit

These specifications apply to the SAA-1 Single-Mode FC ADAPTOR supplied by SII.

2. PARTS NUMBER

Parts Number of the Adaptor is Shown in Table 1.

Table 1 Parts Number



note.1 : Marking and Slite Sleeve type

Slit Sleeve type	Marking (Standard)
Phosphor Bronze	Both type (with / without)
Zirconia	With Marking type

3. GENERAL SPECIFICATIONS

3.1 Parts and Materials

Parts and the materials are shown in Table 2.

Table 2 Parts and materials

No.	Part Name	Q'ty	Material	Notes
①	Housing A	1	Brass	Nickel Plating
②	Fitting Sleeve	2	Brass	Nickel Plating
③-1	Slit Sleeve	1	Phosphor Bronze	--
③-2			Zirconia Ceramics	
④	Spacer	1	Brass	Nickel Plating
⑤	Housing B	1	Brass	Nickel Plating
⑥	Screw	2	Brass	Nickel Plating
⑦-1	Cap	2	Plastic	White
⑦-2			Synthetic Rubber	Red

3.2 Physical Dimensions

Figure 2 shows the SAA-1.

Figure 3 to 4 show the part dimension.

- In accordance with JIS C5970 F01 type connectors

3.3 General Tolerances

Permissible deviation in dimensions without tolerance indication is in accordance with JIS B 0405 class m, as shown in Table 3.

Table 3 General tolerance (JIS B 0405 class m)

Basic size step (mm)		Permissible deviation (mm)
Over	Under	
0.5	3	± 0.1
3	6	± 0.1
6	30	± 0.2
30	120	± 0.3

3.4 Insertion Loss

Insertion Loss of the adaptor and the measurement conditions shown in Table 4. Figure 1 shows the measurement system.

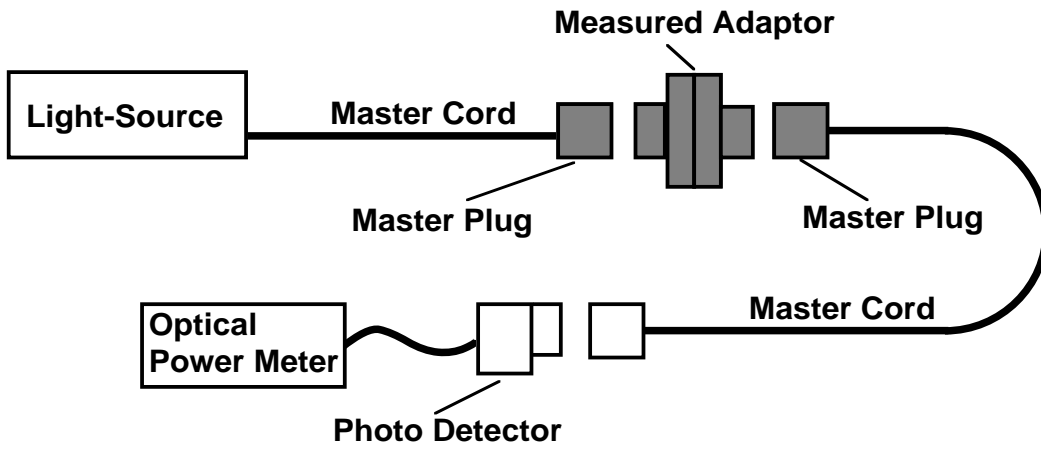


Figure 1 Insertion loss measurement system

Table 4 Insertion loss and the measurement conditions

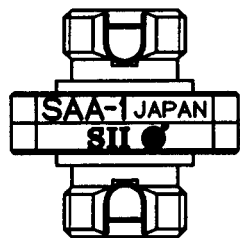
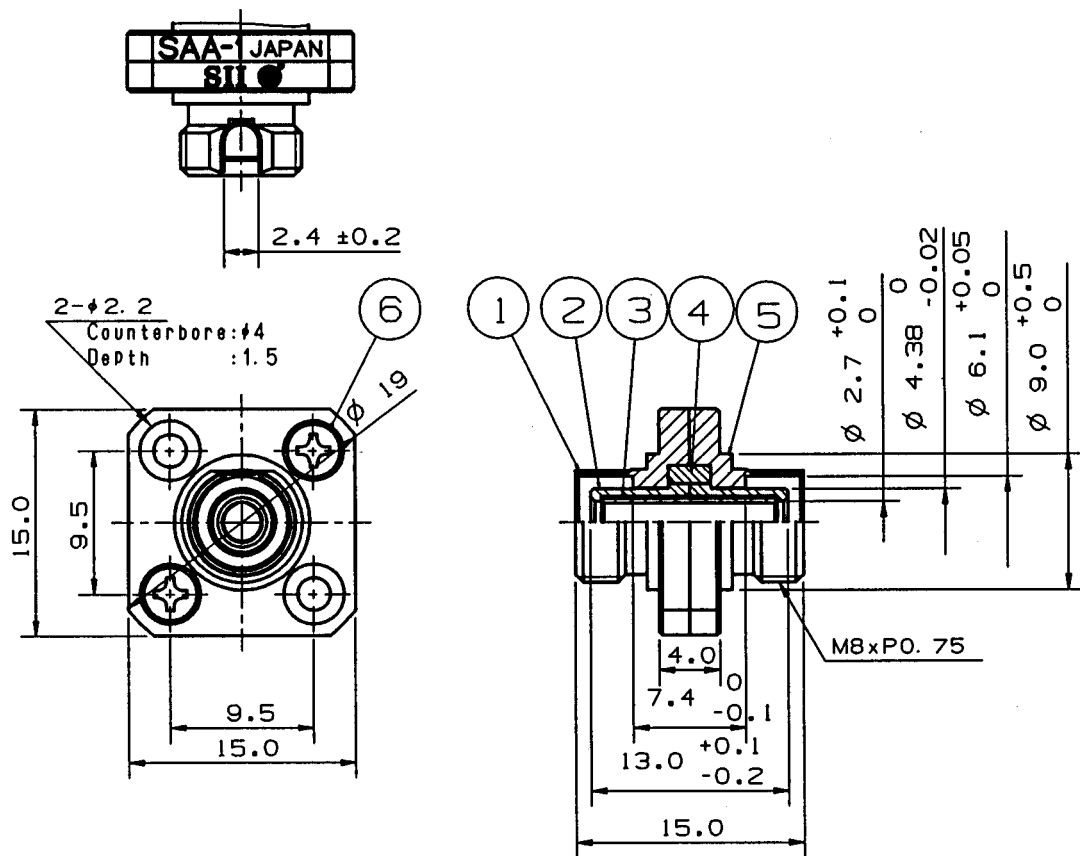
Parts Number		SAA-1 1□□00 (Slit Sleeve : Phosphor Bronze)	SAA-1 2□□00 (Slit Sleeve : Zirconia Ceramics)
Insertion Loss		0.7dB or Less	0.4dB or Less
Conditions	Light-Source	LD or LED	LD
	Wavelength	1.3 μm	1.3 μm
	Master Cord Terminated	Flat Polishing with Buffing	PC Polishing

4. PACKING

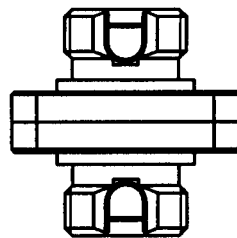
The product is packed to prevent damage during shipment.

5. SHIPPING INSPECTION

The insertion loss inspected before shipping.



with Marking (ROGO) Type



without Marking (ROGO) Type

Unit : mm

Figure 2 SAA-1

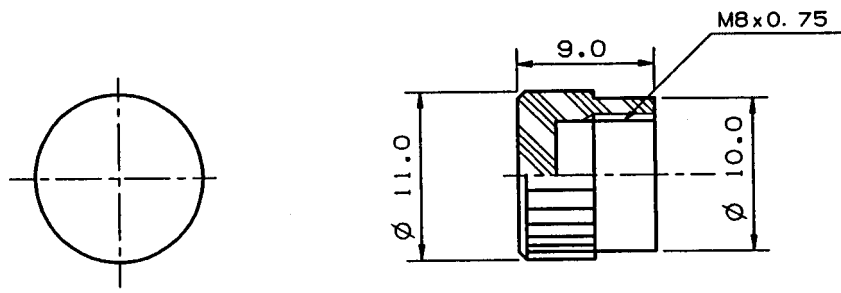


Figure 3 ⑦-1 Cap

Unit : mm

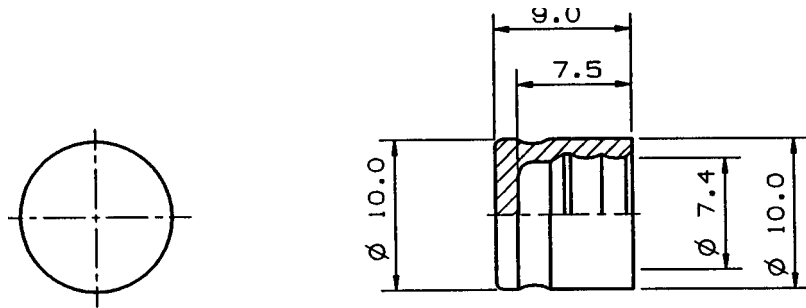


Figure 4 ⑦-2 Cap

Unit : mm