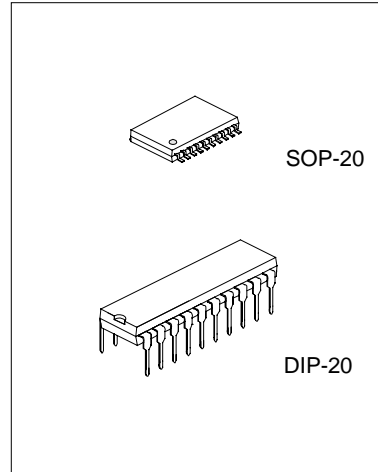


INFRARED REMOTE CONTROL TRANSMITTER

DESCRIPTION

The SC50560 is a remote control transmitter utilizing CMOS technology housed in a 20-pin DIP or SO package. A 4x8 key matrix and extension bit inputs allow the transmission of up to 256 instructions. The transmission code consists of 16 bits code (8 bits custom code and 8 bits data code) and a leader code.

Pin assignments and application circuit of SC50560 are optimized for easy PCB layout and cost saving advantage for remote control applications.



FEATURES

- * CMOS technology
- * Low power consumption
- * Least external components
- * LED power dissipation is less during the transmission of instructions

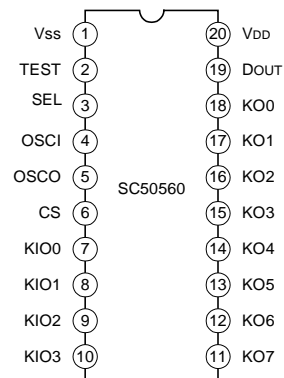
ORDERING INFORMATION

SC50560	DIP-20 Package
SC50560S	SOP-20 Package

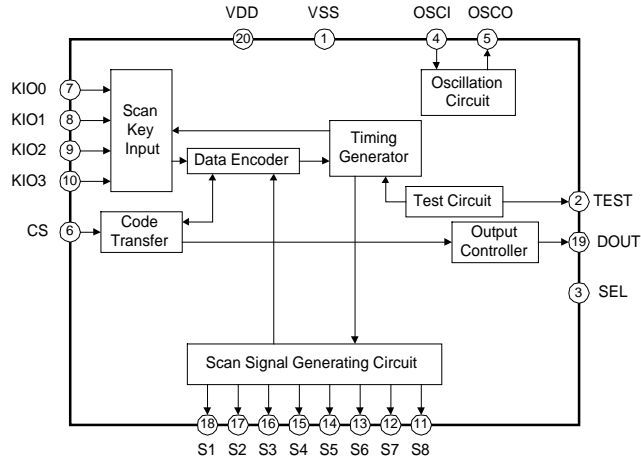
APPLICATIONS

- * Audio Equipment
- * Television
- * Video Cassette Recorder
- * Air Condition

PIN CONFIGURATION



BLOCK DIAGRAM



ABSOLUTE MAXIMUM RATINGS (Tamb=25°C)

Characteristic	Symbol	Value	Unit
Supply Voltage	VCC	-0.3 ~ 5.5	V
Input Voltage	VIN	Vss-0.3V ~ VDD+0.3V	V
Output Voltage	VOUT	Vss ≤ Vo ≤ VDD	V
Operating Temperature	Topr	-20 ~ 70	°C
Storage Temperature	Tstg	-40 ~ +125	°C

ELECTRICAL CHARACTERISTICS (Tamb=25°C, VDD =3.0V, Vss=0, Unless otherwise specified)

Parameter	Symbol	Test Conditions	Min	Typ	Max	Unit
Supply Voltage	VDD	Fosc =455KHz	2.0	3.0	4.0	V
Operating Current	IOP	Fosc =455KHz		0.12	0.3	mA
Stand-by Current	ISB	OSCO =VDD KIO0~KIO3= VDD TEST = Vss SEL = Vss		0.1	1	μA
High level Output Current (Dout)	IOH	VOH=2V	-1.0	-13		mA
Low Level Output Current (Dout, KO0~KO7)	IOL	VOL=0.9V	0.5	1.2		mA
	IKO0~KO7		4.5	5.3		
High Level Input Voltage (CS) (KIO0~KIO3)	VIH	VDD=3.0V	0.7 VDD		VDD	V
Low Level Input Voltage (CS) (KIO0~KIO3)	VIL	VDD=3.0V	0		0.3VDD	V
Input Pull-High Resistance (KIO0~KIO3)	RIN	VDD=3.0V	55	70	85	kΩ

— HANGZHOU SILAN MICROELECTRONICS JOINT-STOCK CO.,LTD —

Rev: 2.3 2002-03-21

PIN DESCRIPTION

Pin No.	Pin Name	Input/output	Description
1	V _{SS}	--	Negative Power Supply
2	TEST	I	Test Pin. This pin is normally connected to V _{SS} .
3	SEL	I	Select Pin for SC50560-001/003.
4	OSCI	I	Oscillation Input Pin
5	OSCO	O	Oscillation Output Pin
6	CS	I	Code Select Pin
7~10	KIO0~KIO3	I/O	Input/Output Pins
18~11	KO0~KO7	O	Scan Output Pins
19	Dout	O	Output Pin
20	V _{DD}	--	Positive Power Supply

FUNCTIONAL DESCRIPTION

SC50560 is capable of transmitting up to 256 different instructions and 8 bits custom codes using a 16-bit PCM Code with a leader code. Furthermore, oscillation is normally stopped when there is no operating, thereby, lower power dissipation.

1. TRANSMISSION CODE

SC50560 transmission code consists of a leader code, 8 bits custom code (C0 to C7) followed by a sync. bit and 8 bits data code (D0 to D7) followed another sync. bit. The custom and the data codes are separated by a separator. Please refer to the diagram below:

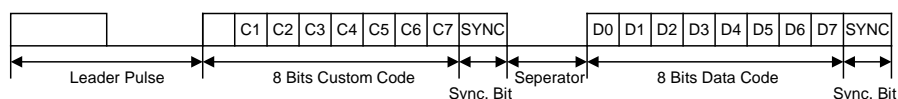


Figure 1. SC50560 Transmission Code Format

One transmission Code Word consists of a 19-bit pulse (that is the leader pulse plus the 16 bits code) and the separator. It is transferred in a 63.4ms for as long as the key is depressed. Please refer to the diagram below:

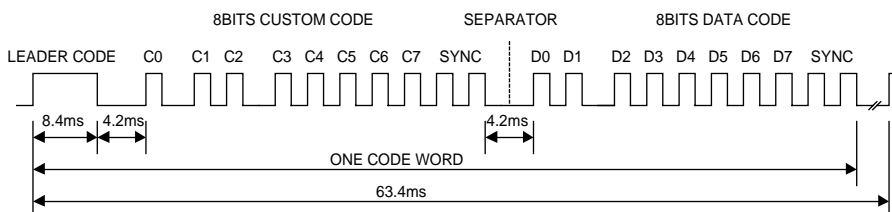


Figure 2. SC50560 Detailed Code Word Format

LEADER CODE

The leader code is located at the beginning of the transmission code and is made up of 8.4ms HIGH & 4.2ms LOW pulse and is modulated in 38KHz providing easy identification of the reception code head bit at the receiver.

CUSTOM CODE

Custom Code may be selected by connection CS Input with Scan Output (KO0 to KO4). An example of a custom code selection is shown in the diagram below.

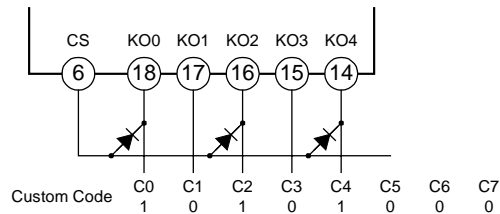


Figure 3. custom Code Selection Example

DATA CODE

D0 to D7 of the transmission code are the data code bits. When CS Input and the Scan Output (KO5 to KO7) are connected, data bits—D5 to D7 becomes the system extended code bits. An example of the Extended code Bits Selection is given in the diagram below:

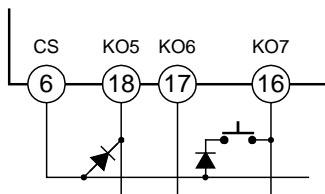


Figure 4. Extended Code Selection

Data Code	D5	D6	D7
SW = OFF	1	0	0
SW = ON	1	0	1

2. SEPARATOR

The separator demarcates the custom code and the data code. It consists of a 4.2ms LOW pulse interval and can be determined at the receiver so that any interference with other remote control system may be avoided. Please refer to Figure 2.

3. CARRIER

The carrier of the transmission signal is 38KHz and one pulse width is 0.52ms. Therefore, with the exception of the leader code, there are twenty 38KHz clock in one pulse width. Please refer to the diagram below.

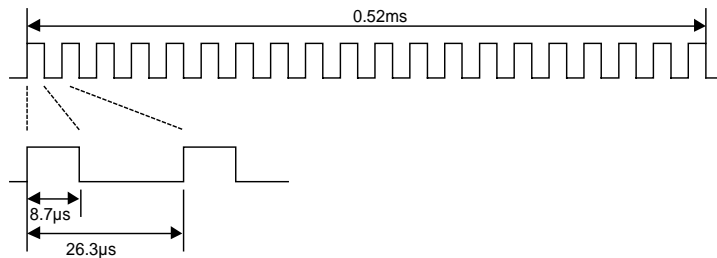


Figure 5. Transmission Signal Carrier Diagram

4. KEY INPUT

By connecting the input pins – K10 to K13 and scan output pins –KO0 to KO7 (also known as the Standard Keys), a 4x8 key matrix may be formed. Likewise, a maximum of 256 instructions may be provided by connecting the input CS with the scan output –KO0 to KO7 (also known as the Extended Keys). When two or more standard keys are pressed, the transmission output Dout is kept at LOW and no transmission code is outputted. Please refer to the tables below.

Data	D0	D1
Key Input		
K10	0	0
K11	1	0
K12	0	1
K13	1	1

Data	D2	D3	D4
Scan Output			
KO0	0	0	0
KO1	1	0	0
KO2	0	1	0
KO3	1	1	0
KO4	0	0	1
KO5	1	0	1
KO6	0	1	1
KO7	1	1	1

Data	D5	D6	D7
CS Input			
KO5	1	--	--
KO6	--	1	--
KO7	--	--	1

5. Oscillation Circuit

The oscillation circuit may be constructed by connected a ceramic resonator between the OSCI and OSCO. Please refer to the diagram right. When the references signal is set to 455KHz the carrier can be set at 38KHz. When no key input is pressed, the oscillation circuit is normally stopped, thereby, lower power dissipation.

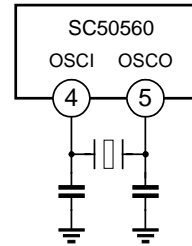


Figure 6. Oscillation Circuit

6. CODE FORMAT MODES

SC50560 code format comes in three modes: 001, 002 and 003. Please refer to the diagram below:

SC50560 Version	Description	Minimum Number of Words Transmitted
SC50560-001	Mode A Code Format: Custom Code Bit 5--C5=0, SEL is connected to VDD	1 word
SC50560-002	Mode A & B Code Formats	3 words
SC50560-003	Mode A Code Format: Custom Code Bit 5--C5=1, When SEL is connected to Vss	-----

Both SC50560-001 and SC50560-002 make use of the same operation when the input from terminal CS and the scan output (K00 to K04) are connected to make the custom code selection with the exception of the number of word transmitted. Please refer to the table above:

MODE A

The diagram below gives us the transmission code format for Mode A. One Code Word consists of the Leader Code, 8 bits Custom Code followed by a sync. bit, Separator and 8 bits Data Code followed by another sync. bit. Please refer to the diagram below.

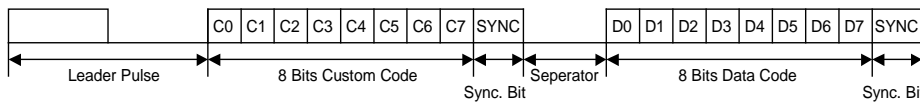


Figure 7. Mode A Code Format

Each Code Bit may either be "0" or "1". Please refer to the diagram below.

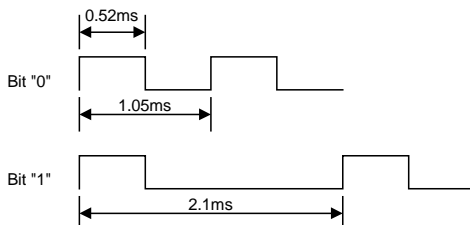


Figure 8. Mode A Bit "0" & "1" Waveform

MODE B

The diagram below gives us the transmission code format for Mode B. Under this mode, the custom codes are not selected, therefore the transmission code only consists of the 6 bits data code followed by a sync. bit. Please refer to the diagram below:

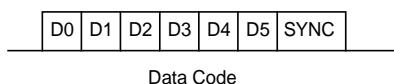


Figure 9. Mode B Code Format

A transmission Code Bit may either be "0" or "1". Please refer to the diagram below:

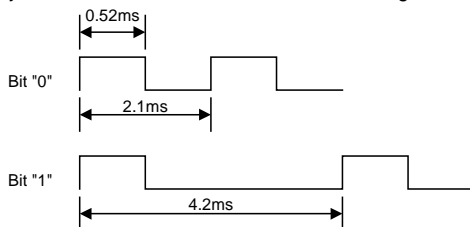


Figure 10. Mode B Bit "0" & "1" Waveform Diagram

Under Mode B, a maximum of 32 different instructions may be provided simply by connecting the inputs K10 to K13 with the Scan Outputs KO0 to KO7, thereby constructing a 4x8 key matrix. When two or more keys are pressed at the same time, the transmission output Dout is set to and the no transmission occurs. Please refer to the table below.

	KO0	KO1	KO2	KO3	KO4	KO5	KO6	KO7
K10	00	04	08	0C	10*	14*	18*	1C*
K11	01	05	09*	0D*	11*	15*	19*	1D*
K12	02	06	0A*	0E*	12*	16*	1A*	1E*
K13	03	07	0B*	0F*	13*	17*	1B*	1F*

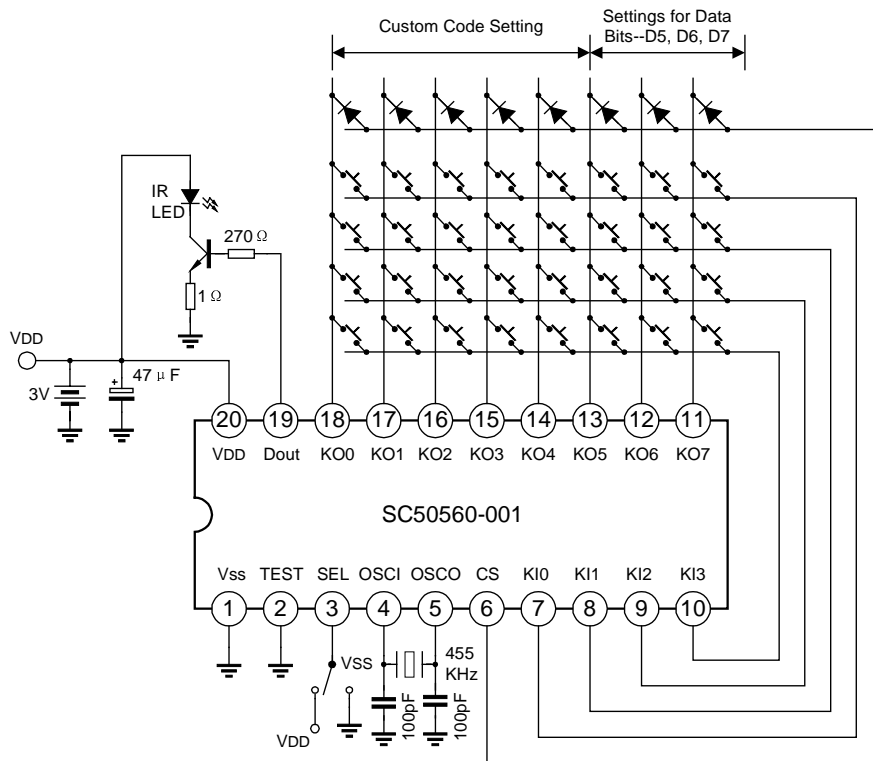
NOTE: * = Output of a five-word transmission code.

— HANGZHOU SILAN MICROELECTRONICS JOINT-STOCK CO.,LTD —

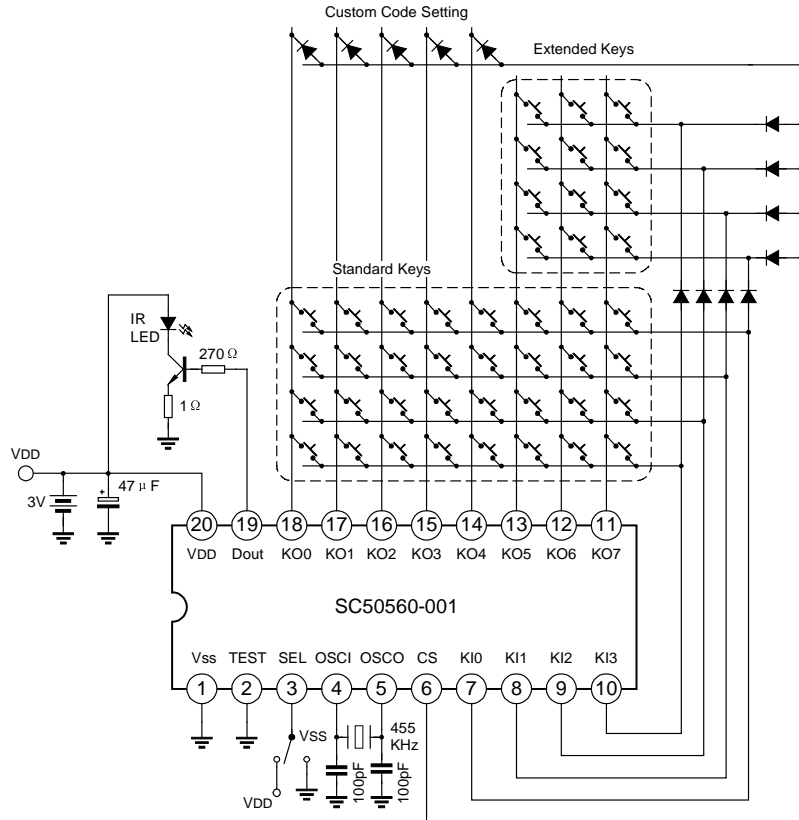
Rev: 2.3 2002-03-21

APPLICATION CIRCUIT

1. For 01 and 03 Versions

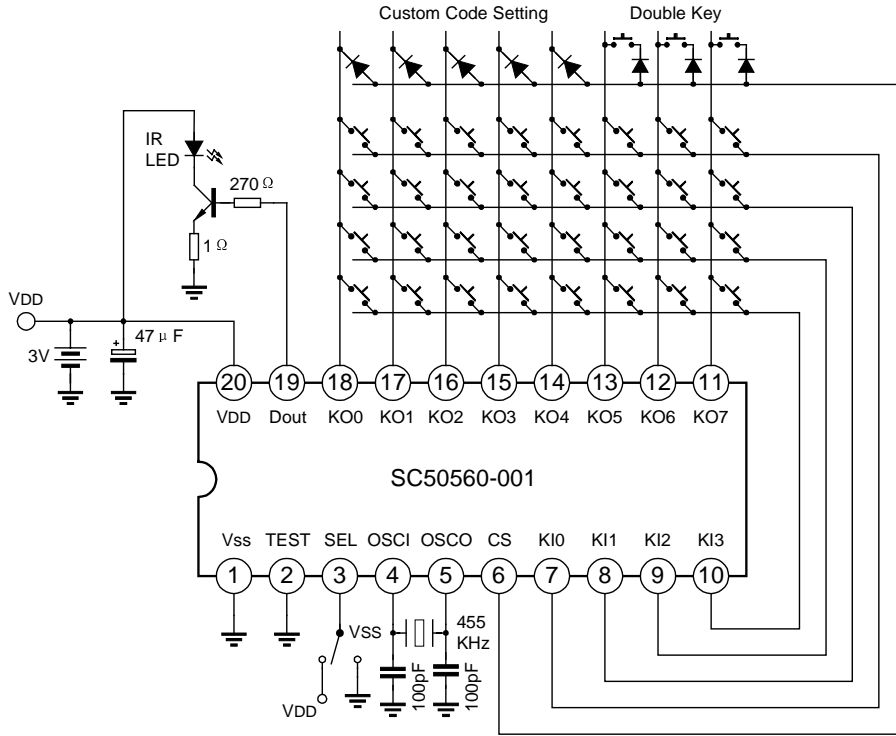


2. Extended Codes

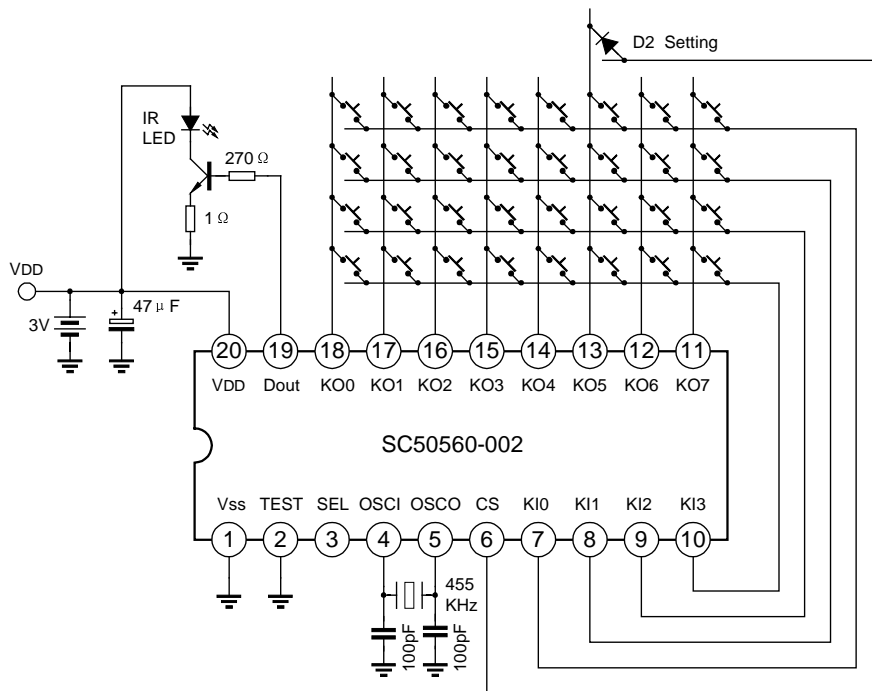


	Standard Code				Extended Code			
	KI0	KI1	KI2	KI3	KI0	KI1	KI2	KI3
KO0	00	01	02	03	Not Used			
KO1	04	05	06	07				
KO2	08	09	0A	0F				
KO3	0C	0D	0E	0B				
KO4	10	11	12	13				
KO5	14	15	16	17	34	35	36	37
KO6	18	19	1A	1B	58	60	5A	5B
KO7	1C	1D	1E	1F	9C	8D	9E	9F

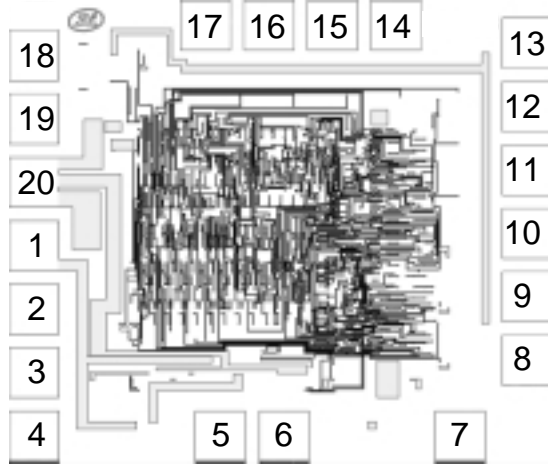
3. Double Key Operation



4. No Leader Code and Custom Code



CHIP TOPOGRAPHY



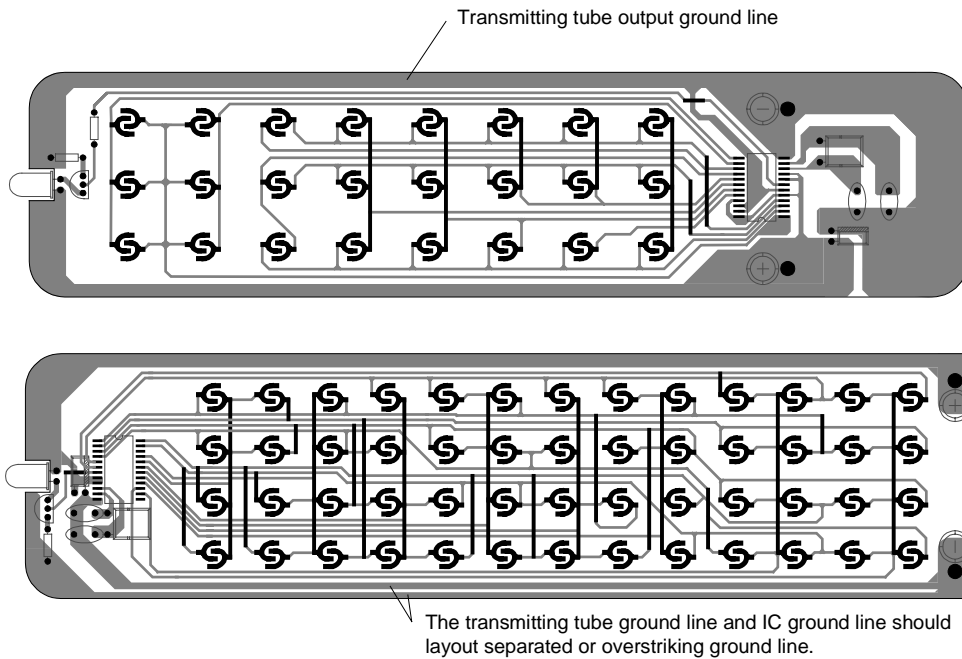
Size: 1.40 x 1.21 mm²

PAD COORDINATES (Unit: μm)

No.	Symbol	X	Y	No.	Symbol	X	Y
1	P1	-579.10	-35.50	11	P11	579.00	142.30
2	P2	-579.10	-184.50	12	P12	579.00	291.30
3	P3	-579.10	-333.50	13	P13	579.00	440.30
4	P4	-579.10	-482.50	14	P14	270.80	482.50
5	P5	-141.60	-482.50	15	P15	121.80	482.50
6	P6	8.3	-482.50	16	P16	-27.20	482.50
7	P7	421.60	-482.50	17	P17	-176.20	482.50
8	P8	579.00	-304.70	18	P18	-579.10	411.50
9	P9	579.10	-155.70	19	P19	-579.10	262.50
10	P10	579.10	-6.70	20	P20	-579.10	113.50

Note: The original point of the coordinate is the die center.

PCB WIRE LAYOUT SCHEMATIC:

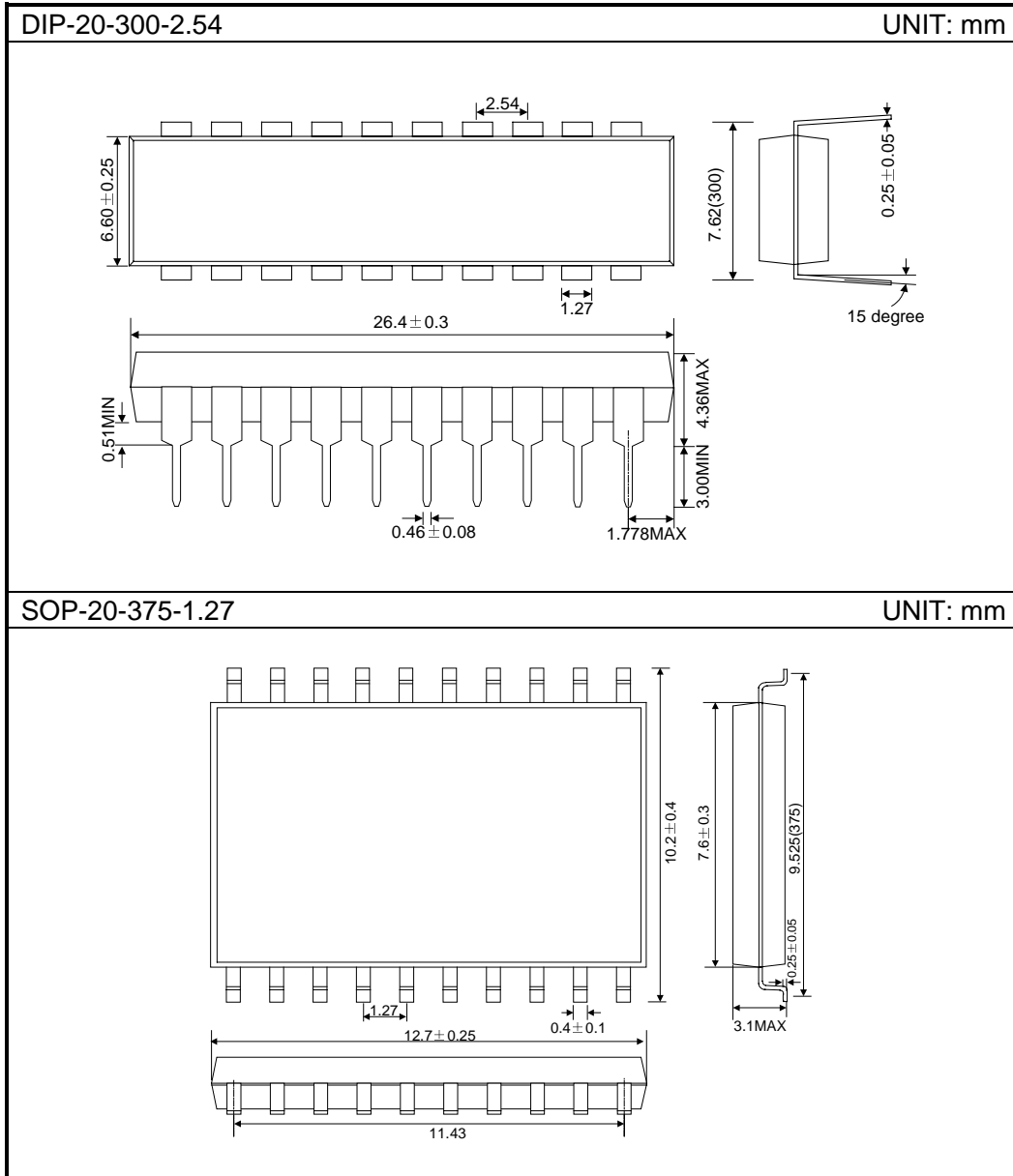


The above IC only use to hint, not to specified.

Note: :

- * In wire layout, the power filter capacitor should near to IC.
- * In wire layout, should avoid power line and ground line too long.
- * Recommended infrared transmit unit and IC ground line should layout separated, or overstriking lines.
- * The emitter of triode connect 1Ω resistor at least.
- * Recommended triode use 9014.

PACKAGE OUTLINE



Attach**Revision History**

Data	REV	Description	Page
2000.12.31	2.0	Change name of company in page footer	
2002.01.04	2.1	Delete "or floating " in "6.code format modes"	6
2002.02.28	2.2	Modify the "Pin configuration "	1
		Modify the "Application circuit"	8-11
		Add the "PCB wire layout schematic"	13
		Modify the "Package outline"	14
2002.03.21	2.3	Modify the "figure3" and "figure 4"	4