

5-MODE PRESET EQUALIZER IC

DESCRIPTION

The SC5388 is a 2-channel digital preset equalizer utilizing CMOS technology. It provides 5 different sound selections, namely: Flat/normal, rock, Pops, Classic and Jazz. A Bass Booster may be added any of 5 sound selections, thereby creating more audio versatility. SC5388 provides two types of key selection mode namely: the Direct and the Cyclic. Pin assignment and application circuit are optimized for cost saving advantages and easy PCB layout.

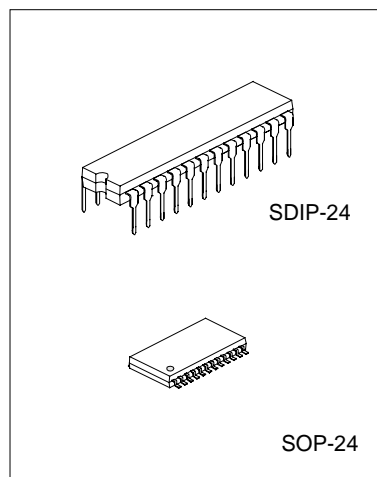
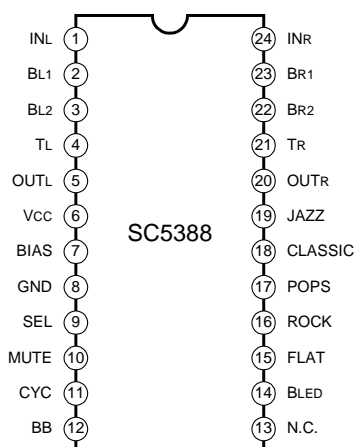
FEATURES

- * Wide operating voltage range(V_{CC}=5.0V ~ 11.0V)
- * Low total harmonic distortion and high S/N ratio (THD+N<0.02%, S/N > 95dB)
- * LED display output mode
- * Less external parts
- * 5-sound selections provided
- * Bass booster function
- * Direct and cyclic key selection provided
- * 2-Channel output

APPLICATIONS

- * Walkman
- * Car Audio
- * Fader and MPEG Card
- * Multimedia Audio components

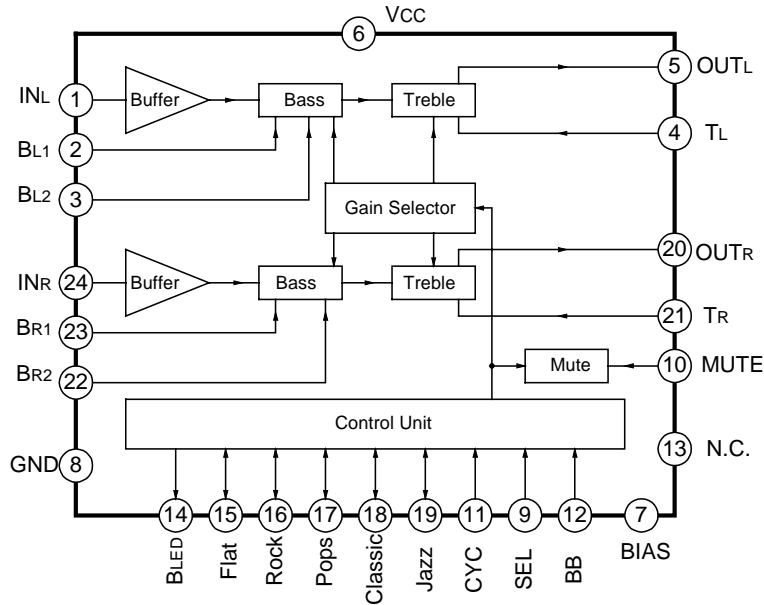
PIN CONFIGURATIONS



ORDERING INFORMATION

SC5388	SDIP-24 Package
SC5388S	SOP-24 Package

BLOCK DIAGRAM



ABSOLUTE MAXIMUM RATINGS

Characteristic	Symbol	Value	Unit
Supply Voltage	V _{CC}	11.0	V
Input Voltage	V _{IN}	0.3 ~ V _{CC} +0.3V	V
Power Dissipation	P _D	200	mW
Operating Temperature	T _{opr}	-20 ~ +75	°C
Storage Temperature	T _{stg}	-40~+125	°C

ELECTRICAL CHARACTERISTICS

(T_{amb}=25°C, V_{CC}=9.0V, V_i=1V_{rms}, f=1kHz, Unless otherwise specified)

Parameter	Symbol	Test conditions	Min	Typ	Max	Unit
Operating Supply Voltage	V _{CC}		5.0	9.0	11.0	V
Operating Supply Current	I _{CC}	V _{CC} =9V, V _i =0, Flat Mode		11		mA
Maximum Output Voltage	V _{OM}	V _{CC} =9.0V	3.5			V _{rms}
Output Noise	V _{NO}	V _{CC} =9.0V, V _i =0, BW=400~30kHz, A-weighting			20	μV _{rms}
Total Harmonic Distortion	THD	V _{CC} =9.0V, V _i =0.2V _{rms} , BW=400~30kHz, A-weighting			0.02	%
Input impedance	R _{IN}	V _{CC} =9.0V	50	60		kΩ
Output impedance	R _{OUT}	V _{CC} =9.0V		5.5		kΩ
Maximum Input Voltage	V _{i(max)}	V _{CC} =9.0V			2.0	V _{rms}

— HANGZHOU SILAN MICROELECTRONICS JOINT-STOCK CO.,LTD —

Rev: 1.0 2000.12.31

PIN DESCRIPTION

Pin No.	Pin Name	I/O	Description
1	INL	I	Left Channel Input.
2	BL1	--	Left Bass Control Pin 1. A Capacitor may be Connected between this Pin and BL2
3	BL2	--	Left Bass Control Pin 2. A Capacitor may be Connected between this Pin and BL1.
4	TL	--	Left Treble Control Pin . A Capacitor may be Connected between this Pin and OUTL.
5	OUTL	O	Left Channel Output in.
6	VCC	--	Positive Supply Voltage.
7	BIAS	--	A capacitor may be connected between this Pin and GND.
8	GND	--	Ground.
9	SEL	I	Select Control Pin.
10	MUTE	--	Mute Pin. The Mute Pin can eliminate the noise when mode changing occurs. A capacitor is connected between this Pin and GND.
11	CYC	I	Cyclic Select Pin.
12	BB	I	Bass Booster Control Input Pin.
13	NC	--	No Connected.
14	BLED	O	Bass Booster Control Input Pin.
15	FLAT	I/O	FLAT Mode Display & Control Input Pin.
16	ROCK	I/O	ROCK Mode Display & Control Input Pin.
17	POPS	I/O	POPS Mode Display & Control Input Pin.
18	CLASSIC	I/O	CLASSIC Mode Display & Control Input Pin.
19	JASS	I/O	JASS Mode Display & Control Input Pin.
20	OUTR	O	Right Channel Output in.
21	BR1	--	Right Bass Control Pin 1. A Capacitor may be Connected between this Pin and BR2.
22	BR2	--	Right Bass Control Pin 2. A Capacitor may be Connected between this Pin and BR1.
23	TR	--	Right Treble Control Pin . A Capacitor may be Connected between this Pin and OUTR.
24	INR	I	Right Channel Input.

FUNCTIONAL DESCRIPTION

The SC5388 is a 2-channel and 5-Mode digital preset equalizer with a Bass Booster function. It provides two types of key selection mode namely: the Direct and the Cyclic. These two key selection Modes are determined by SEL pin. Please refer to the table below:

Key Selection Mode	SEL Pin	Description
Direct	Low	Press FLAT key to activate Flat Mode
		Press ROCK key to activate Rock Mode
		Press POPS key to activate Pops Mode
		Press CLASSIC key to activate Classic Mode
		Press JAZZ key to activate Jazz Mode
Cyclic	Floating/High	...Flat→Rock→Pops→Classic→Jazz→Flat→Rock...

Note: 1). The Bass Booster can be controlled in the same manner under the Direct or the Cyclic Key selection Mode. To turn the Bass Booster ON or OFF, press the BB Key.

2). Under the Cyclic Selection mode, press the CYC Key, to go to the next sound selection.

————— **HANGZHOU SILAN MICROELECTRONICS JOINT-STOCK CO.,LTD** —————

1. CYCLIC KEY SELECTION MODE

As seen in the table above, the cyclic key selection mode is active when the SEL pin is floating or "high". Under this mode, any of the sound selections(Flat, Rock, Pops, classic, Jazz) may be selected by pressing the CYC key. The default value is the Flat Mode. This Means that when power is turned ON, the mode is active. Pressing the Cyclic Key lets you go from one sound selection to the other in the following order: Flat→ Rock →Pops→ Classic → Jazz. That is, press the CYC key to activate the next mode. The BB key controls the Bass Booster. When the power is turned ON, the bass Booster is OFF.

2. DIRECT KEY SELECTION MODE

The direct key selection mode is active when the SEL pin is set to "LOW". As the name implies, you can directly select the sound selection you like simply by pressing the respective keys. This means, that to select the JAZZ mode, press the JAZZ key, CLASSIC Mode ,press the CLASSIC key and so forth. Take note that when the power is turned On, the Flat Mode is active. The Bass Booster is independent of the key/sound mode selected and may be turned ON or OFF at any time.

3. FREQUENCY RESPONSE

The Fig.1 ~ Fig.5 illustrate the various frequency response under the various sound selection(Flat, Rock, Pops, Classic, Jazz, and Bass Booster).

Different sound selections exhibit different frequency gains at different frequency levels. Please refer to the table below:

Sound Selection	Typical			Unit
	f=80Hz	f=1kHz	f=10kHz	
Flat	1.7	-0.8	-1.3	dB
Rock	10.0	1.5	7.0	
Pops	6.5	0.5	7.0	
Classic	6.0	0.5	1.0	
Jazz	10.0	1.2	3.3	
Flat + Bass Booster	8.5	0.7	1.0	
Rock + Bass Booster	11.0	2.0	7.0	
Pops + Bass Booster	9.5	1.0	7.0	
Classic + Bass Booster	9.5	1.0	1.0	
Jazz + Bass Booster	11.0	2.0	2.5	

TREBLE AND BASS ADJUSTMENTS

It is general knowledge that different individuals have different listening preference. The application circuit of SC5388 included in this specification has been designed for the taste general listening public; however, you can make the necessary adjustment to suit your personal taste. Please refer to the Section below.

1. TREBLE ADJUSTMENT

The Treble adjustment is made by changing the value of the 2 capacitors connected between TL-OUTL, TR-OUTR, Please refer to Fig. 6.

As the capacitor value becomes bigger, the treble of the gain frequency curve is shifted down. Likewise, as the capacitor value become smaller, the treble gain frequency curve shifts the opposite direction. Referring to the Fig.6. we see that at 6dB, different capacitor values exhibit different frequency response. Capacitor value 1800pF has a lower frequency gain response than 1200pF capacitor.

2. BASS ADJUSTMENT

Bass adjustment can be made by changing the values of the capacitor connected between BL1~BL2 and BR1~BR2. Please refer to Fig.7.

The larger the capacitor value used, the frequency response curve shifts down. Like wise, the smaller the capacitor value, the frequency response curve shifts the opposite direction. In Fig.7, at 9dB different capacitor value exhibit different frequency responses. A capacitor with a value of 0.1 μ F has smaller frequency response than 0.56 μ F capacitor.

Fig.1 Flat Mode(Flat mode + Bass Booster)

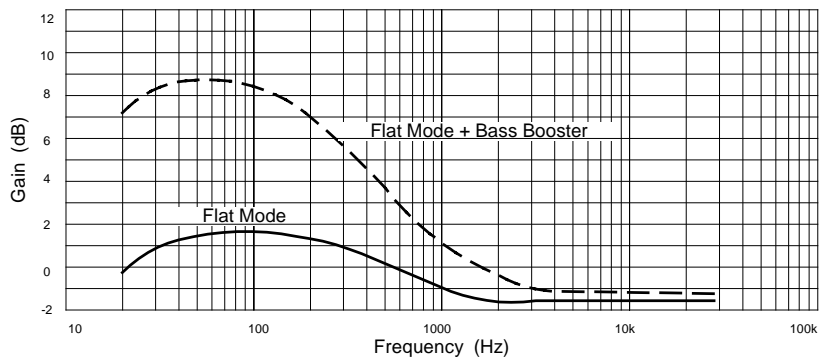


Fig.2 Rock Mode(Rock mode + Bass Booster)

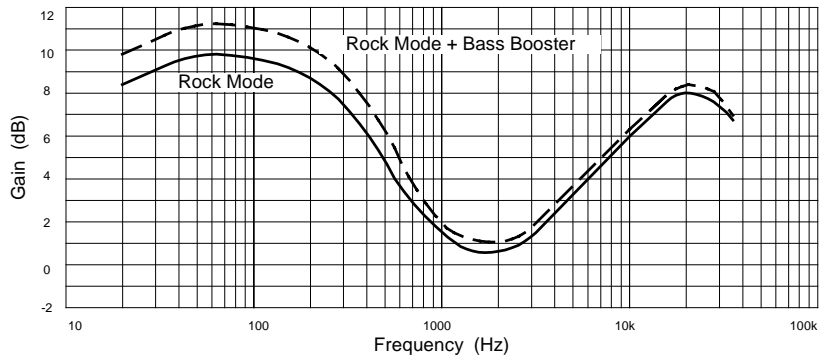


Fig.3 Pops Mode(Pops mode + Bass Booster)

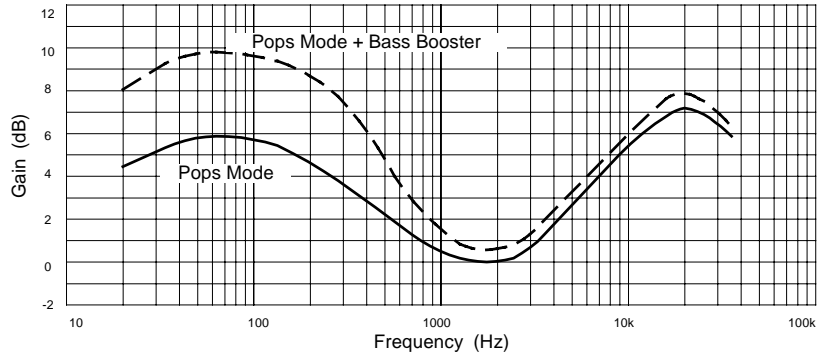


Fig.4 Classic mode(Classic mode + Bass Booster)

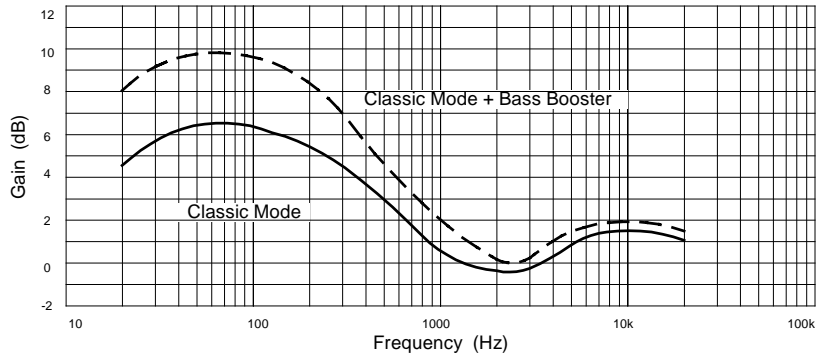


Fig.5 Jazz Mode(Jazz mode + Bass Booster)

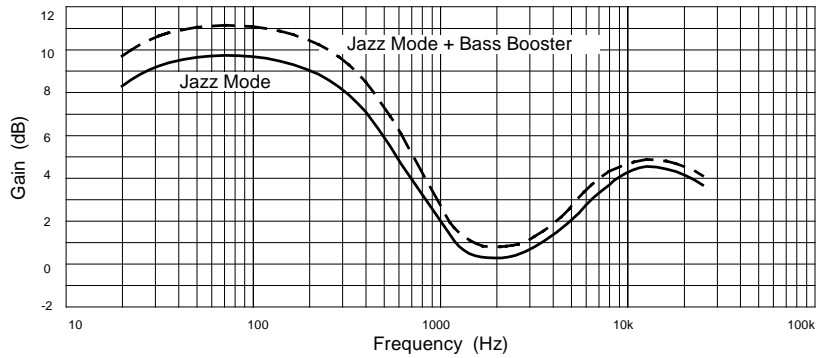


Fig.6 TL-OUTL Capacitors vs. Frequency Response

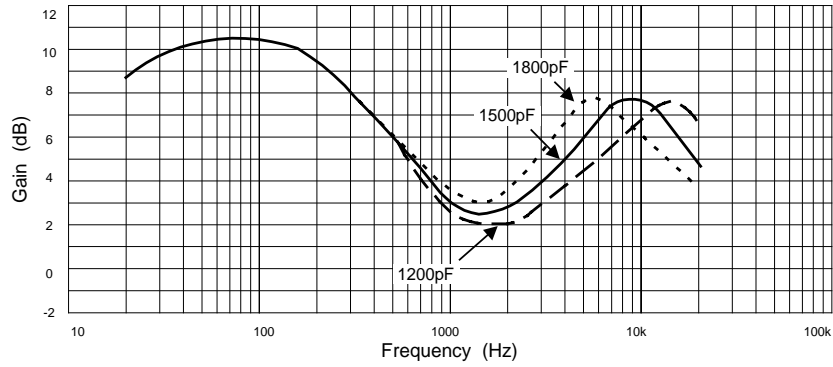
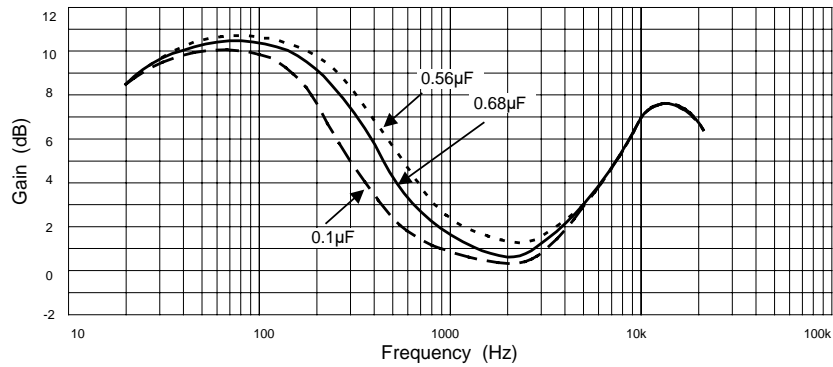
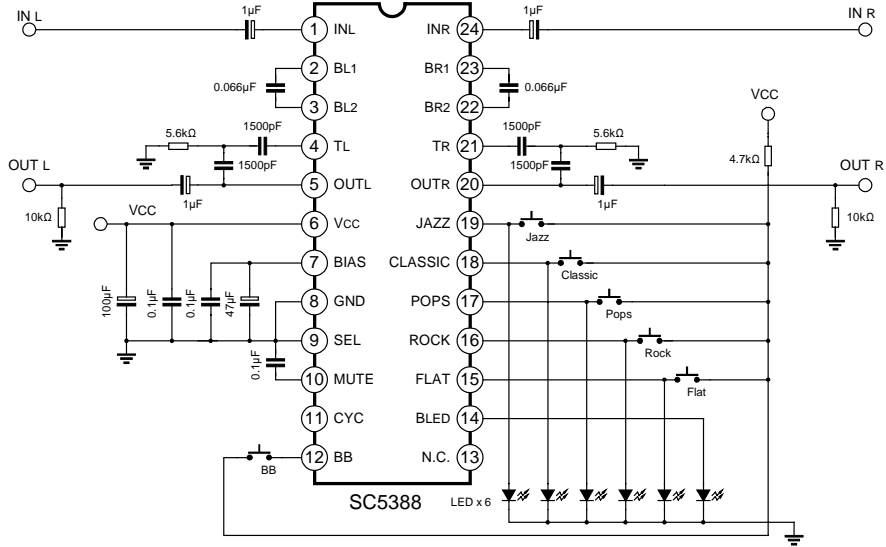


Fig.7 BL1-BL2 Capacitors vs. Frequency Response



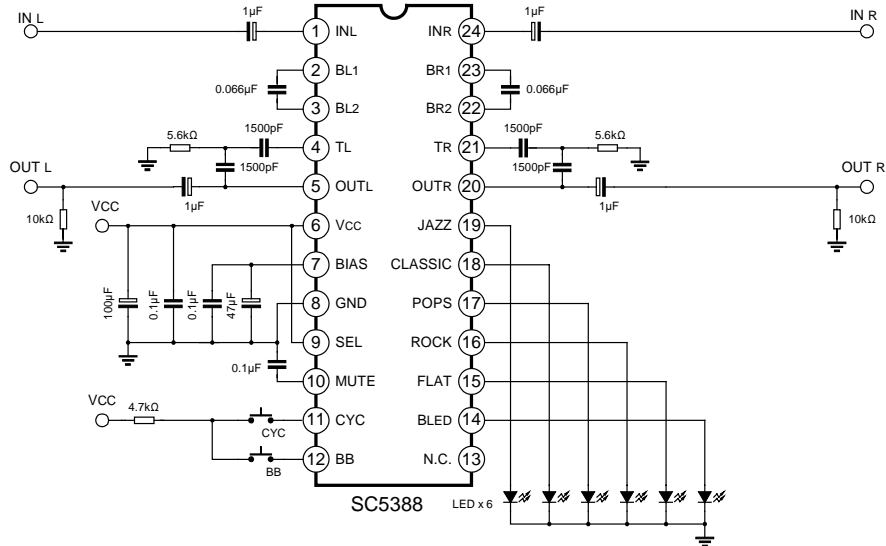
APPLICATION CIRCUIT

DIRECT KEY MODE



Note: Please use 0.068µF, 1500pF Mylar Capacitors.

CYCLIC KEY MODE



Note: Please use 0.068µF, 1500pF Mylar Capacitors.

— HANGZHOU SILAN MICROELECTRONICS JOINT-STOCK CO.,LTD —

Rev: 1.0 2000.12.31

PACKAGE OUTLINE

