



SPX1085

3A Low Dropout Voltage Regulator Adjustable & Fixed Output, Fast Response

FEATURES

- Adjustable Output Down To 1.2V
- Fixed Output Voltages 1.5, 2.5, 3.3, 5.0V
- Output Current Of 3A
- Low Dropout Voltage 1.1V Typ.
- Extremely Tight Load And Line Regulation
- Current & Thermal Limiting
- Standard 3-Terminal Low Cost TO-220, TO-263 & TO-252
- Similar To Industry Standard LT1085/LT1585

APPLICATIONS

- Powering VGA & Sound Card
- Power PC™ Supplies
- SMPS Post-Regulator
- High Efficiency “Green” Computer Systems
- High Efficiency Linear Power Supplies
- Portable Instrumentation
- Constant Current Regulators
- Adjustable Power Supplies
- Battery charger

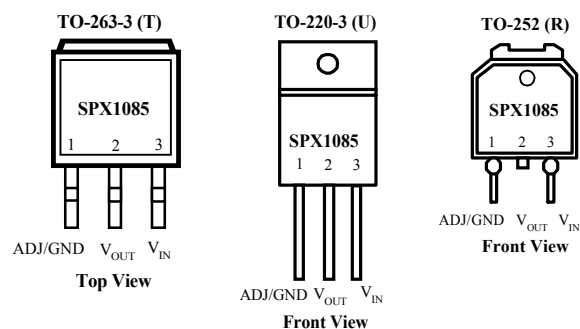
PRODUCT DESCRIPTION

The SPX1085 are low power 3A adjustable and fixed voltage regulators that are very easy to use. It requires only 2 external resistors to set the output voltage for adjustable version. The SPX1085 is designed for low voltage applications that offer lower dropout voltage and faster transient response. This device is an excellent choice for use in powering low voltage microprocessor that require a lower dropout, faster transient response to regulate from +2.5V to 3.8V supplies and as a post regulator for switching supplies applications. The SPX1085 features low dropout of a maximum of 1.5 volts.

The SPX1085 offers full protection against over-current faults, reversed input polarity, reversed load insertion, and positive and negative transient voltage. On-Chip trimming adjusts the reference voltage to 1%. The I_Q of this device flows into load which increases efficiency.

The SPX1085 are offered in a 3-pin TO-220, TO-263 & TO-252 packages compatible with other 3 terminal regulators. For a 8A low dropout regulator refer to the SPX1085 data sheet.

PIN CONNECTIONS



APPLICATION HINTS

The SPX1085 incorporates protection against over-current faults, reversed load insertion, over temperature operation, and positive and negative transient voltage. However, the use of an output capacitor is required in order to insure the stability and the performances.

Stability

The output capacitor is part of the regulator's frequency compensation system. Either a 220µF aluminum electrolytic capacitor or a 47µF solid tantalum capacitor between the output terminal and ground guarantees stable operation for all operating conditions.

However, in order to minimize overshoot and undershoot, and therefore optimize the design, please refer to the section 'Ripple Rejection'.

Ripple Rejection

Ripple rejection can be improved by adding a capacitor between the ADJ pin and ground. When ADJ pin bypassing is used, the value of the output capacitor required increases to its maximum (220µF for an aluminum electrolytic capacitor, or 47µF for a solid tantalum capacitor). If the ADJ pin is not bypass, the value of the output capacitor can be lowered to 100µF for an electrolytic aluminum capacitor or 15µF for a solid tantalum capacitor.

However the value of the ADJ-bypass capacitor should be chosen with respect to the following equation:

$$C = 1 / (6.28 * F_R * R_1)$$

Where C = value of the capacitor in Farads (select an equal or larger standard value),

F_R = ripple frequency in Hz,

R_1 = value of resistor R_1 in Ohms.

If an ADJ-bypass capacitor is use, the amplitude of the output ripple will be independent of the output voltage. If an ADJ-bypass capacitor is not used, the output ripple will be proportional to the ratio of the output voltage to the reference voltage:

$$M = V_{OUT} / V_{REF}$$

Where M = multiplier for the ripple seen when the ADJ pin is optimally bypassed.

V_{REF} = Reference Voltage

Reducing parasitic resistance and inductance

One solution to minimize parasitic resistance and inductance is to connect in parallel capacitors. This arrangement will improve the transient response of the power supply if your system requires rapidly changing current load condition.

Thermal Consideration

Although the SPX1085 offers some limiting circuitry for overload conditions, it is necessary not to exceed the maximum junction temperature, and therefore to be careful about thermal resistance. The heat flow will follow the lowest resistance path, which is the Junction-to-case thermal resistance. In order to insure the best thermal flow of the component, a proper mounting is required. Note that the case of the device is electrically connected to the output. In case the case has to be electrically isolated, a thermally conductive spacer can be used. However do not forget to consider its contribution to thermal resistance.

Assuming:

$$V_{IN} = 10V, V_{OUT} = 5V, I_{OUT} = 1.5A, T_A = 50^{\circ}C$$

$$\theta_{Heatsink} = 6^{\circ}C/W, \theta_{Case-Heatsink} = 0.5^{\circ}C/W, \theta_{JC} = 3^{\circ}C/W$$

Power dissipation under this condition

$$P_D = (V_{IN} - V_{OUT}) * I_{OUT} = 7.5W$$

Junction Temperature

$$T_J = T_A + P_D * (\theta_{Case-HS} + \theta_{HS} + \theta_{JC})$$

For the Control Sections

$$T_J = 50 + 7.5*(0.5 + 6*3) = 121.25^{\circ}C$$

$$121.25^{\circ}C < T_{J(max)} \text{ for the control section.}$$

In both case reliable operation is insured by adequate junction temperature.

Basic Adjustable Regulator

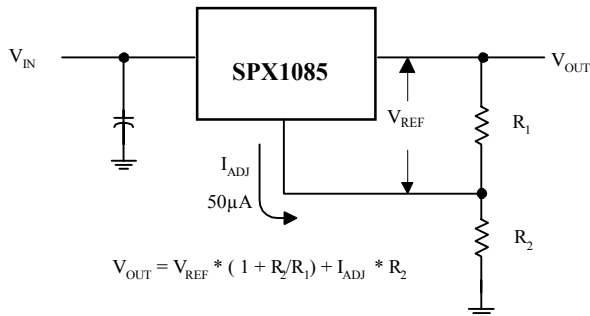


Fig.2 Basic Adjustable Regulator

Output Voltage

Consider Figure 2. The resistance R_1 generates a constant current flow, normally the specified load current of 10mA. This current will go through the resistance R_2 to set the overall output voltage. The current I_{ADJ} is very small and constant. Therefore its contribution to the overall output voltage is very small and can generally be ignored

Load Regulation

Parasitic line resistance can degrade load regulation. In order not to affect the behavior of the regulator, it is best to connect directly the R_1 resistance from the resistor divider to the case, and not to the load. For the same reason, it is best to connect the resistor R_2 to the Negative side of the load.

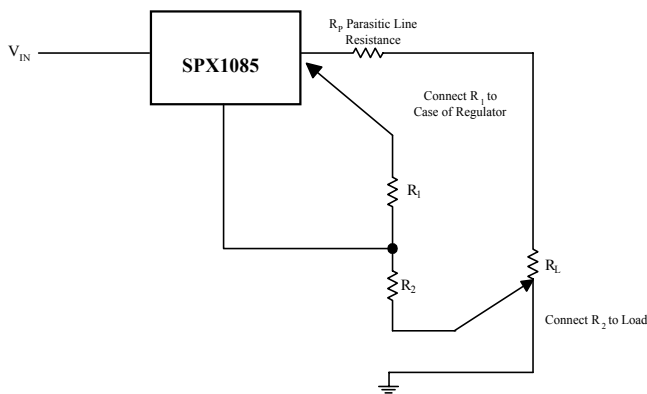


Fig.3 Basic Adjustable Regulator

TYPICAL APPLICATIONS

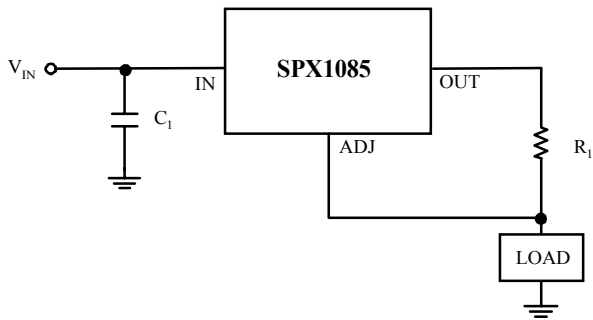


Fig. 4 3A Current output Regulator

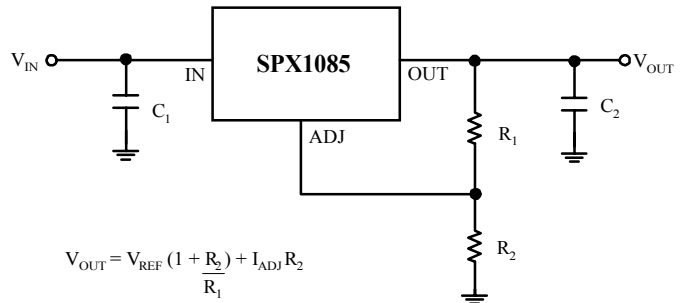


Fig. 5 Typical Adjustable Regulator

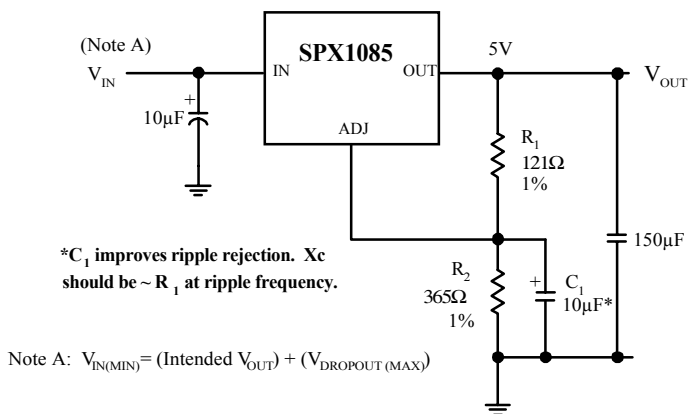


Fig. 6 Improving Ripple Rejection

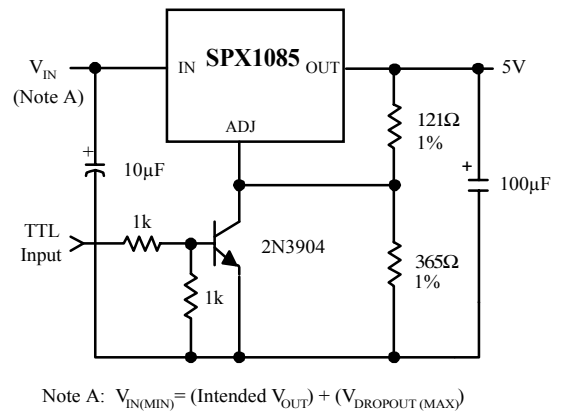
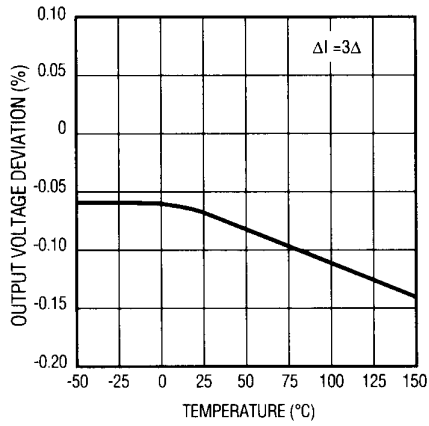


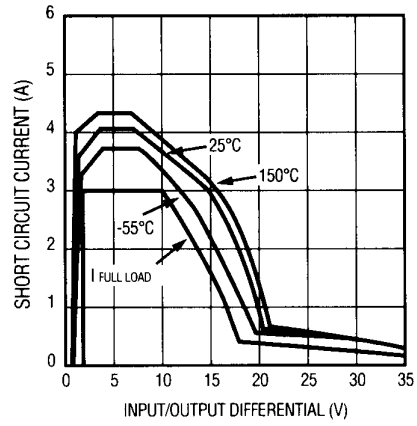
Fig.7 5V Regulator with Shutdown

TYPICAL CHARACTERISTICS

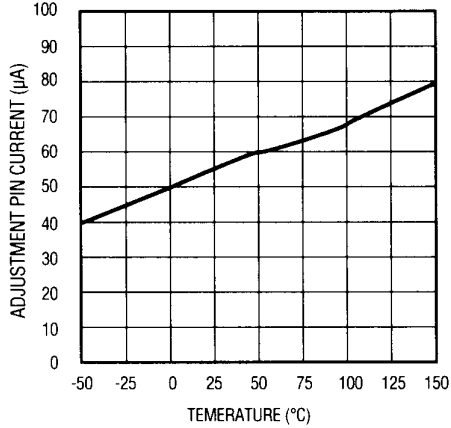
LOAD REGULATION



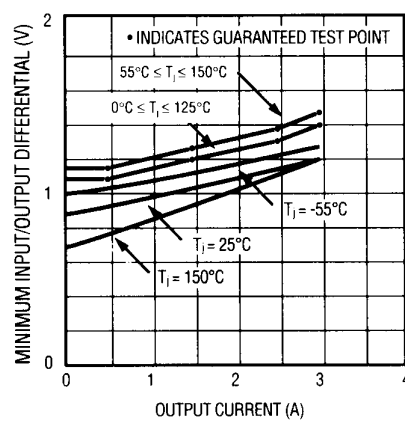
SHORT CIRCUIT CURRENT



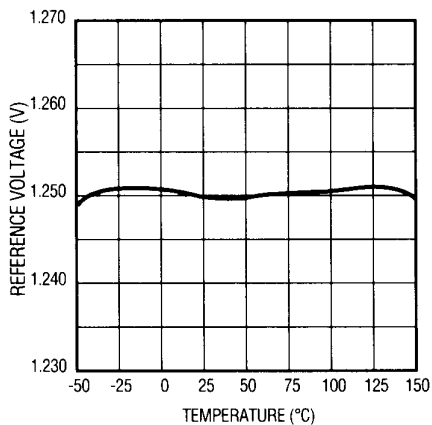
ADJUSTMENT PIN CURRENT



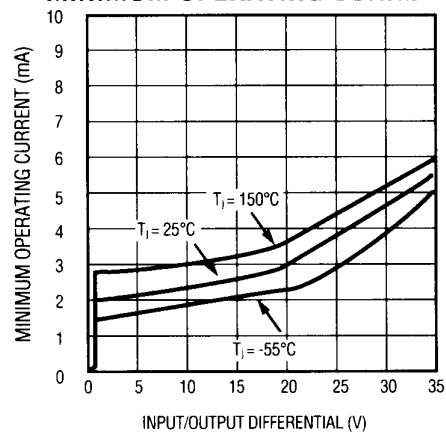
DROPOUT VOLTAGE



TEMPERATURE STABILITY



MINIMUM OPERATING CURRENT



ORDERING INFORMATION

Ordering No.	Precision	Output Voltage	Packages
SPX1085T	2%	Adj	3 Lead TO-263
SPX1085T-1.5	2%	1.5V	3 Lead TO-263
SPX1085T-2.5	2%	2.5V	3 Lead TO-263
SPX1085T-3.3	2%	3.0V	3 Lead TO-263
SPX1085T-5.0	2%	5.0V	3 Lead TO-263
SPX1085AT	1%	Adj	3 Lead TO-263
SPX1085AT-1.5	1%	1.5V	3 Lead TO-263
SPX1085AT-2.5	1%	2.5V	3 Lead TO-263
SPX1085AT-3.3	1%	3.0V	3 Lead TO-263
SPX1085AT-5.0	1%	5.0V	3 Lead TO-263
SPX1085U	2%	Adj	3 Lead TO-220
SPX1085U-1.5	2%	1.5V	3 Lead TO-220
SPX1085U-2.5	2%	2.5V	3 Lead TO-220
SPX1085U-3.3	2%	3.0V	3 Lead TO-220
SPX1085U-5.0	2%	5.0V	3 Lead TO-220
SPX1085AU	1%	Adj	3 Lead TO-220
SPX1085AU-1.5	1%	1.5V	3 Lead TO-220
SPX1085AU-2.5	1%	2.5V	3 Lead TO-220
SPX1085AU-3.3	1%	3.0V	3 Lead TO-220
SPX1085AU-5.0	1%	5.0V	3 Lead TO-220
SPX1085R	2%	Adj	3 Lead TO-252
SPX1085R-1.5	2%	1.5V	3 Lead TO-252
SPX1085R-2.5	2%	2.5V	3 Lead TO-252
SPX1085R-3.3	2%	3.0V	3 Lead TO-252
SPX1085R-5.0	2%	5.0V	3 Lead TO-252
SPX1085AR	1%	Adj	3 Lead TO-252
SPX1085AR-1.5	1%	1.5V	3 Lead TO-252
SPX1085AR-2.5	1%	2.5V	3 Lead TO-252
SPX1085AR-3.3	1%	3.0V	3 Lead TO-252
SPX1085AR-5.0	1%	5.0V	3 Lead TO-252



SIGNAL PROCESSING EXCELLENCE

Sipex Corporation

Headquarters and Main Offices:
22 Linnell Circle
Billerica, MA 01821
TEL: (978) 667-8700
FAX: (978) 670-9001
e-mail: sales@sipex.com

233 South Hillview Drive
Milpitas, CA 95035
TEL: (408) 935-7600
FAX: (408) 934-7500

Sipex Corporation reserves the right to make changes to any products described herein. Sipex does not assume any liability arising out of the application or use of any product or circuit described hereing; neither does it convey any license und under it patent rights nor the rights of others.