



## GENERAL DESCRIPTION

The SM-T2 / SM-R2 is a pair of CMOS chip, it was designed for remote controlled car applications.

The SM-T2 / SM-R2 has five control keys for controlling the motions ( i.e. forward, backward rightward, leftward and the turbo function ) of the remote controller car.

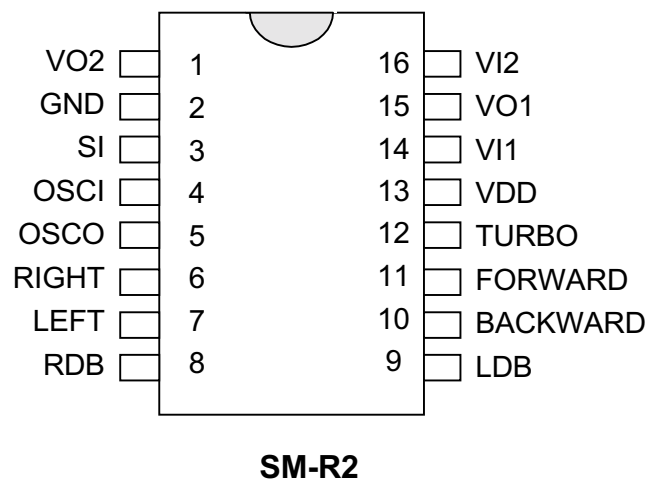
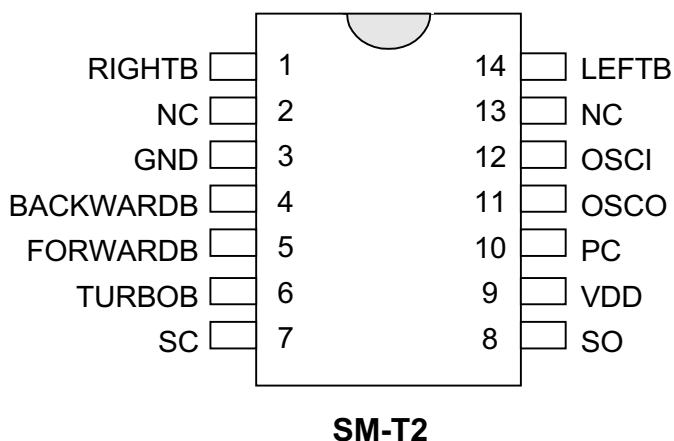
## FEATURES

- \* Power supply : 2.4V - 5.0V
- \* Low stand-by current
- \* Five functions control
- \* Auto-power-off function for SM-T2
- \* Few external components are needed

## APPLICATION

- \* Remote control car etc.

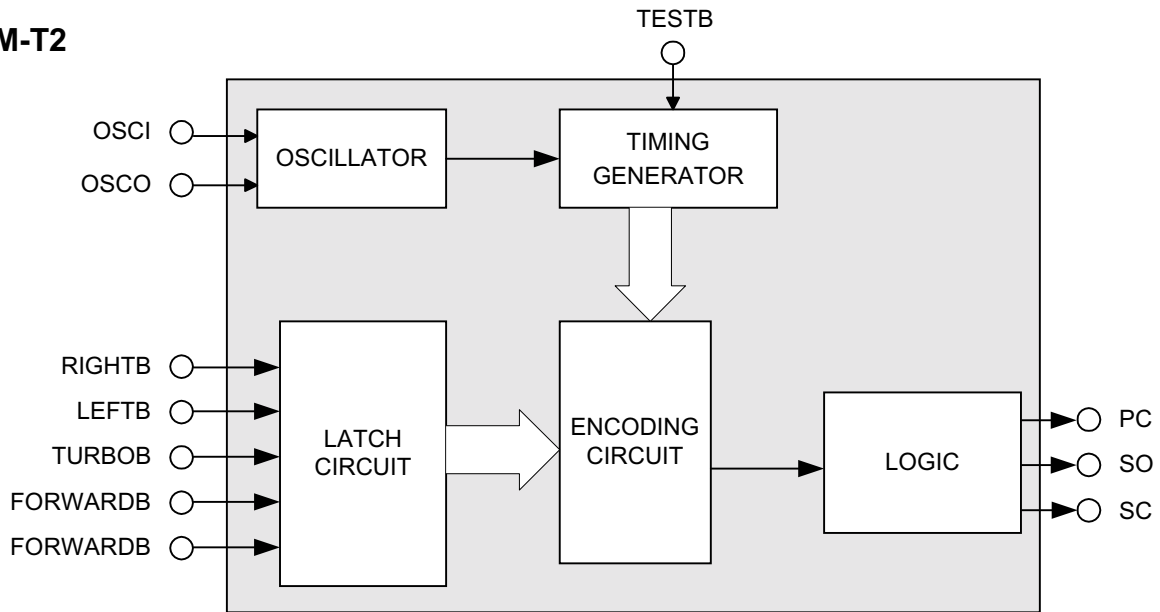
## PIN ASSIGNMENTS (TOP VIEW)





### BLOCK DIAGRAM

#### SM-T2



#### SM-R2

