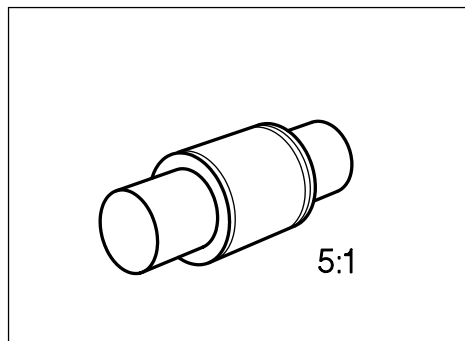



Silicon Tuning Varactor

BBY 33 BB-2

- Tuning varactor in passivated Mesa technology (epitaxial design)



Type	Marking	Ordering Code	Pin Configuration	Package ¹⁾
BBY 33 BB-2	–	Q62702-B70	Cathode: black dot, heat sink 	C 1

Maximum Ratings

Parameter	Symbol	Values	Unit
Reverse voltage	V_R	27	V
Forward current	I_F	200	mA
Junction temperature	T_j	175	°C
Storage temperature range	T_{stg}	– 55 ... + 150	
Operating temperature range	T_{op}	– 55 ... + 150	

1) For detailed information see chapter Package Outlines.

Electrical Characteristics

at $T_A = 25\text{ }^\circ\text{C}$, unless otherwise specified.

Parameter	Symbol	Values			Unit
		min.	typ.	max.	
Forward voltage $I_F = 200\text{ mA}$	V_F	–	–	1.1	V
Reverse current $V_R = 15\text{ V}$	I_R	–	–	5	nA
Diode capacitance $V_R = 0$	C_T	0.9	–	1.5	pF
Capacitance ratio $V_R = 0, V_R = 25\text{ V}$	$\frac{C_{T0}}{C_{T25}}$	–	3.0	–	–
Figure of merit $V_R = 4\text{ V}, f = 50\text{ MHz}$	$Q_{(\text{min})}$	4000	–	–	–