

1M x 4-Bit Dynamic RAM (Hyper Page Mode (EDO) version)

HYB 514405BJ/BJL-50/-60/-70

Preliminary Information

- 1 048 576 words by 4-bit organization
- 0 to 70 °C operating temperature
- Hyper Page Mode - EDO
- Performance:

		-50	-60	-70	
t_{RAC}	\overline{RAS} access time	50	60	70	ns
t_{CAC}	\overline{CAS} access time	13	15	20	ns
t_{AA}	Access time from address	25	30	35	ns
t_{RC}	Read/Write cycle time	89	104	124	ns
t_{HPC}	Hyper page mode (EDO) cycle time	20	25	30	ns

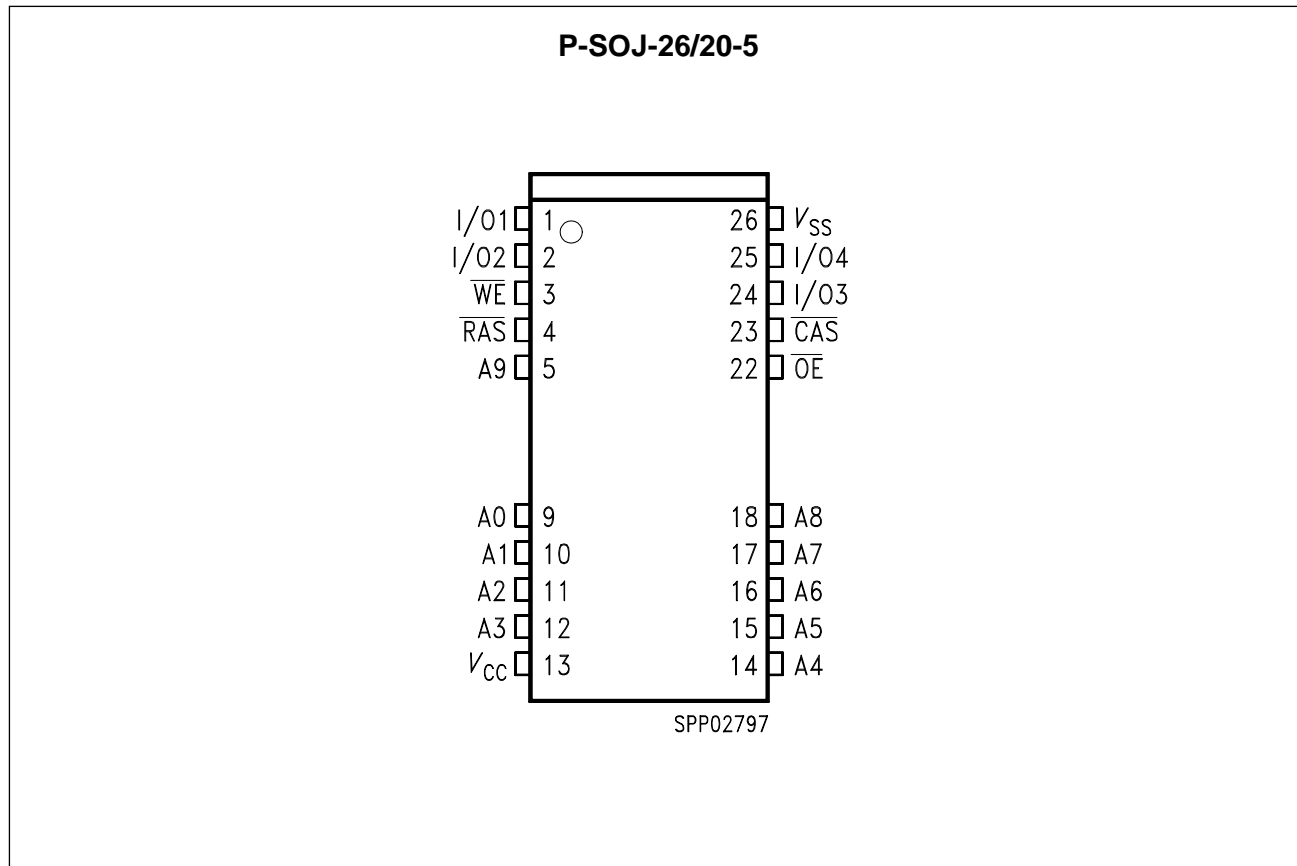
- Single + 5 V ($\pm 10\%$) supply
- Low power dissipation
max. 660 mW active (-50 version)
max. 605 mW active (-60 version)
max. 550 mW active (-70 version)
- Standby power dissipation:
11 mW max.standby (TTL)
5.5 mW max.standby (CMOS)
1.1 mW max.standby (CMOS) for Low Power Version
- Read, write, read-modify write, \overline{CAS} -before- \overline{RAS} refresh, \overline{RAS} -only refresh, hidden refresh and test mode capability
- All inputs and outputs TTL-compatible
- 1024 refresh cycles / 16 ms
- 1024 refresh cycles / 128 ms for Low Power Version
- Plastic Packages: P-SOJ-26/20-5 with 300 mil width

The HYB 514405BJ is the new generation dynamic RAM organized as 1 048 576 words by 4-bit. The HYB 514405BJ utilizes CMOS silicon gate process as well as advances circuit techniques to provide wide operation margins, both internally and for the system user. Multiplexed address inputs permit the HYB 514405BJ to be packed in a standard plastic P-SOJ-26/20 package. This package size provides high system bit densities and is compatible with commonly used automatic testing and insertion equipment. System oriented feature include single + 5 V ($\pm 10\%$) power supply, direct interfacing with high performance logic device families.

Ordering Information

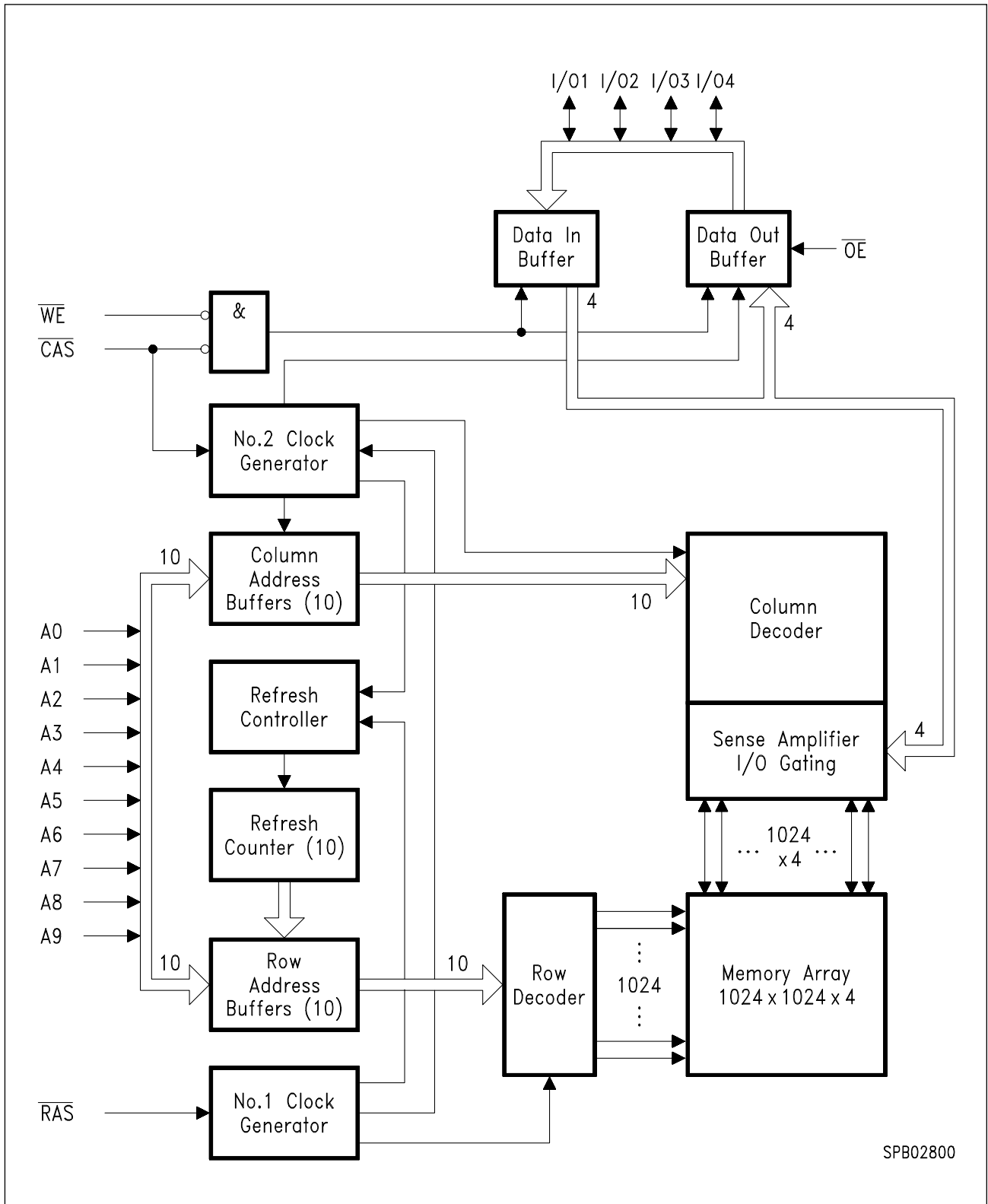
Type	Ordering Code	Package	Descriptions
HYB 514405BJ-50	Q67100-Q2116	P-SOJ-26/20-5	EDO-DRAM (access time 50 ns)
HYB 514405BJ-60	Q67100-Q2118	P-SOJ-26/20-5	EDO-DRAM (access time 60 ns)
HYB 514405BJ-70	Q67100-Q2120	P-SOJ-26/20-5	EDO-DRAM (access time 70 ns)
HYB 514405BJL-50	on request	P-SOJ-26/20-5	Low Power EDO-DRAM (access time 50 ns)
HYB 514405BJL-60	on request	P-SOJ-26/20-5	Low Power EDO-DRAM (access time 60 ns)
HYB 514405BJL-70	on request	P-SOJ-26/20-5	Low Power EDO-DRAM (access time 70 ns)

Pin Configuration (top view)



Pin Names

A0-A9	Address Input
$\overline{\text{RAS}}$	Row Address Strobe
$\overline{\text{CAS}}$	Column Address Strobe
$\overline{\text{WE}}$	Read/Write Input
$\overline{\text{OE}}$	Output Enable
I/O1 - I/O4	Data Input/Output
V_{CC}	Power Supply (+ 5 V)
V_{SS}	Ground (0 V)
N.C.	No Connection



Block Diagram

Absolute Maximum Ratings

Operating temperature range	0 to 70 °C
Storage temperature range.....	- 55 to + 150 °C
Input/output voltage	- 1 to + 7 V
Power Supply voltage	- 1 to + 7 V
Data out current (short circuit)	50 mA

Note: Stresses above those listed under "Absolute Maximum Ratings" may cause permanent damage of the device. Exposure to absolute maximum rating conditions for extended periods may affect device reliability.

DC Characteristics

$T_A = 0$ to 70 °C, $V_{SS} = 0$ V, $V_{CC} = 5$ V \pm 10 %, $t_T = 2$ ns

Parameter	Symbol	Limit Values		Unit	Test Condition
		min.	max.		
Input high voltage	V_{ih}	2.4	$V_{CC} + 0.5$	V	1)
Input low voltage	V_{il}	- 1.0	0.8	V	1)
Output high voltage ($I_{OUT} = - 5$ mA)	V_{oh}	2.4	-	V	1)
Output low voltage ($I_{OUT} = 4.2$ mA)	V_{ol}	-	0.4	V	1)
Input leakage current, any input (0 V < V_{in} < 7, all other input = 0 V)	$I_{l(L)}$	- 10	10	μ A	1)
Output leakage current (DO is disabled, $0 < V_{OUT} < V_{CC}$)	$I_{o(L)}$	- 10	10	μ A	1)
Average V_{CC} supply current -50 version -60 version -70 version	I_{CC1}	-	120 110 100	mA	2) 3)4)
Standby V_{CC} supply current (RAS = CAS = WE = V_{ih})	I_{CC2}	-	2	mA	-
Average V_{CC} supply current during $\overline{\text{RAS}}$ -only refresh cycles -50 version -60 version -70 version	I_{CC3}	-	120 110 100	mA	2)4)
Average V_{CC} supply current during hyper page mode(EDO) operation -50 version -60 version -70 version	I_{CC4}	-	100 90 80	mA	2) 3)4)
Standby V_{CC} supply current (RAS = CAS = WE = $V_{CC} - 0.2$ V)	I_{CC5}	-	1 200	mA μ A	1) L-version

DC Characteristics (cont'd)

$T_A = 0$ to 70 °C, $V_{SS} = 0$ V, $V_{CC} = 5$ V \pm 10 %, $t_T = 2$ ns

Parameter	Symbol	Limit Values		Unit	Test Condition
		min.	max.		
Average V_{CC} supply current during CAS before RAS refresh mode -50 version -60 version -70 version	I_{CC6}	–	120 110 100	mA	2)4)
For Low Power Version only: Battery backup current (average power supply current in battery backup mode): (CAS = CAS before RAS cycling or 0.2 V, $\overline{WE} = V_{CC} - 0.2$ V or 0.2 V, A0 to A10 = $V_{CC} - 0.2$ V or 0.2 V; DI = $V_{CC} - 0.2$ V or 0.2 V or open, $t_{RC} = 125$ μ s, $t_{RAS} = t_{RAS}$ min = 1 μ s)	I_{CC7}	–	250	μ A	–

AC Characteristics 5)6)

$T_A = 0$ to 70 °C, $V_{CC} = 5$ V \pm 10 %, $t_T = 2$ ns

Parameter	Symbol	Limit Values						Unit	Note
		-50		-60		-70			
		min.	max.	min.	max.	min.	max.		

Common Parameters

Random read or write cycle time	t_{RC}	89	–	104	–	124	–	ns	
RAS precharge time	t_{RP}	35	–	40	–	50	–	ns	
RAS pulse width	t_{RAS}	50	10k	60	10k	70	10k	ns	
CAS pulse width	t_{CAS}	8	10k	10	10k	12	10k	ns	
Row address setup time	t_{ASR}	0	–	0	–	0	–	ns	
Row address hold time	t_{RAH}	8	–	10	–	10	–	ns	
Column address setup time	t_{ASC}	0	–	0	–	0	–	ns	
Column address hold time	t_{CAH}	8	–	10	–	12	–	ns	
RAS to CAS delay time	t_{RCD}	12	37	14	45	14	53	ns	
RAS to column address delay time	t_{RAD}	10	25	12	30	12	35	ns	
RAS hold time	t_{RSH}	13		15	–	17	–	ns	

AC Characteristics (cont'd) ⁵⁾⁶⁾

$T_A = 0$ to 70 °C, $V_{CC} = 5$ V \pm 10 %, $t_T = 2$ ns

Parameter	Symbol	Limit Values						Unit	Note
		-50		-60		-70			
		min.	max.	min.	max.	min.	max.		
CAS hold time	t_{CSH}	50		60	–	70	–	ns	
CAS to RAS precharge time	t_{CRP}	5	–	5	–	5	–	ns	
Transition time (rise and fall)	t_T	1	50	1	50	1	50	ns	7
Refresh period	t_{REF}	–	16	–	16	–	16	ms	
Refresh period for L-version	t_{REF}	–	128	–	128	–	128	ms	

Read Cycle

Access time from \overline{RAS}	t_{RAC}	–	50	–	60	–	70	ns	8, 9
Access time from \overline{CAS}	t_{CAC}	–	13	–	15	–	17	ns	8, 9
Access time from column address	t_{AA}	–	25	–	30	–	35	ns	8,10
\overline{OE} access time	t_{OEA}	–	13	–	15	–	17	ns	
Column address to \overline{RAS} lead time	t_{RAL}	25	–	30	–	35	–	ns	
Read command setup time	t_{RCS}	0	–	0	–	0	–	ns	
Read command hold time	t_{RCH}	0	–	0	–	0	–	ns	11
Read command hold time referenced to \overline{RAS}	t_{RRH}	0	–	0	–	0	–	ns	11
CAS to output in low-Z	t_{CLZ}	0	–	0	–	0	–	ns	8
Output buffer turn-off delay	t_{OFF}	0	13	0	15	0	17	ns	12
Output buffer turn-off delay from \overline{OE}	$t_{O EZ}$	0	13	0	15	0	17	ns	12
Data to \overline{CAS} low delay	t_{DZC}	0	–	0	–	0	–	ns	13
Data to \overline{OE} low delay	t_{DZO}	0	–	0	–	0	–	ns	13
CAS high to data delay	t_{CDD}	10	–	13	–	15	–	ns	14
\overline{OE} high to data delay	t_{ODD}	10	–	13	–	15	–	ns	14

Write Cycle

Write command hold time	t_{WCH}	8	–	10	–	10	–	ns	
Write command pulse width	$t_{W P}$	8	–	10	–	10	–	ns	
Write command setup time	t_{WCS}	0	–	0	–	0	–	ns	15

AC Characteristics (cont'd) ⁵⁾⁶⁾

$T_A = 0$ to 70 °C, $V_{CC} = 5$ V \pm 10 %, $t_T = 2$ ns

Parameter	Symbol	Limit Values						Unit	Note
		-50		-60		-70			
		min.	max.	min.	max.	min.	max.		
Write command to $\overline{\text{RAS}}$ lead time	t_{RWL}	13	–	15	–	17	–	ns	
Write command to $\overline{\text{CAS}}$ lead time	t_{CWL}	13	–	15	–	17	–	ns	
Data setup time	t_{DS}	0	–	0	–	0	–	ns	16
Data hold time	t_{DH}	8	–	10	–	12	–	ns	16

Read-modify-Write Cycle

Read-write cycle time	t_{RWC}	118	–	138	–	162	–	ns	
$\overline{\text{RAS}}$ to $\overline{\text{WE}}$ delay time	t_{RWD}	64	–	77	–	89	–	ns	15
$\overline{\text{CAS}}$ to $\overline{\text{WE}}$ delay time	t_{CWD}	27	–	32	–	36	–	ns	15
Column address to $\overline{\text{WE}}$ delay time	t_{AWD}	39	–	47	–	54	–	ns	15
$\overline{\text{OE}}$ command hold time	t_{OEH}	10	–	13	–	15	–	ns	

Hyper Page Mode (EDO) Cycle

Hyper page mode (EDO) cycle time	t_{HPC}	20	–	25	–	30	–	ns	
$\overline{\text{CAS}}$ precharge time	t_{CP}	8	–	10	–	10	–	ns	
Access time from $\overline{\text{CAS}}$ precharge	t_{CPA}	–	27	–	32	–	37	ns	7
Output data hold time	t_{COH}	5	–	5	–	5	–	ns	
$\overline{\text{RAS}}$ pulse width in hyper page mode	t_{RAS}	50	200k	60	200k	70	200k	ns	
$\overline{\text{CAS}}$ precharge to $\overline{\text{RAS}}$ Delay	t_{RHCP}	27	–	32	–	37	–	ns	

Hyper Page Mode (EDO) Read-modify-Write Cycle

Hyper page mode (EDO) read-write cycle time	t_{PRWC}	58	–	68	–	77	–	ns	
$\overline{\text{CAS}}$ precharge to $\overline{\text{WE}}$	t_{CPWD}	41	–	49	–	56	–	ns	

AC Characteristics (cont'd) ⁵⁾⁶⁾

$T_A = 0$ to 70 °C, $V_{CC} = 5$ V \pm 10 %, $t_T = 2$ ns

Parameter	Symbol	Limit Values						Unit	Note
		-50		-60		-70			
		min.	max.	min.	max.	min.	max.		

$\overline{\text{CAS}}$ before $\overline{\text{RAS}}$ Refresh Cycle

CAS setup time	t_{CSR}	10	–	10	–	10	–	ns	
CAS hold time	t_{CHR}	10	–	10	–	10	–	ns	
RAS to $\overline{\text{CAS}}$ precharge time	t_{RPC}	5	–	5	–	5	–	ns	
Write to $\overline{\text{RAS}}$ precharge time	t_{WRP}	10	–	10	–	10	–	ns	
Write hold time referenced to RAS	t_{WRH}	10	–	10	–	10	–	ns	

CAS-before-RAS Counter Test Cycle

CAS precharge time ($\overline{\text{CAS}}$ -before-RAS counter test cycle)	t_{CPT}	35	–	40	–	40	–	ns	
--	-----------	----	---	----	---	----	---	----	--

Test Mode

Write command setup time	t_{WTS}	10	–	10	–	10	–	ns	
Write command hold time	t_{WTH}	10	–	10	–	10	–	ns	

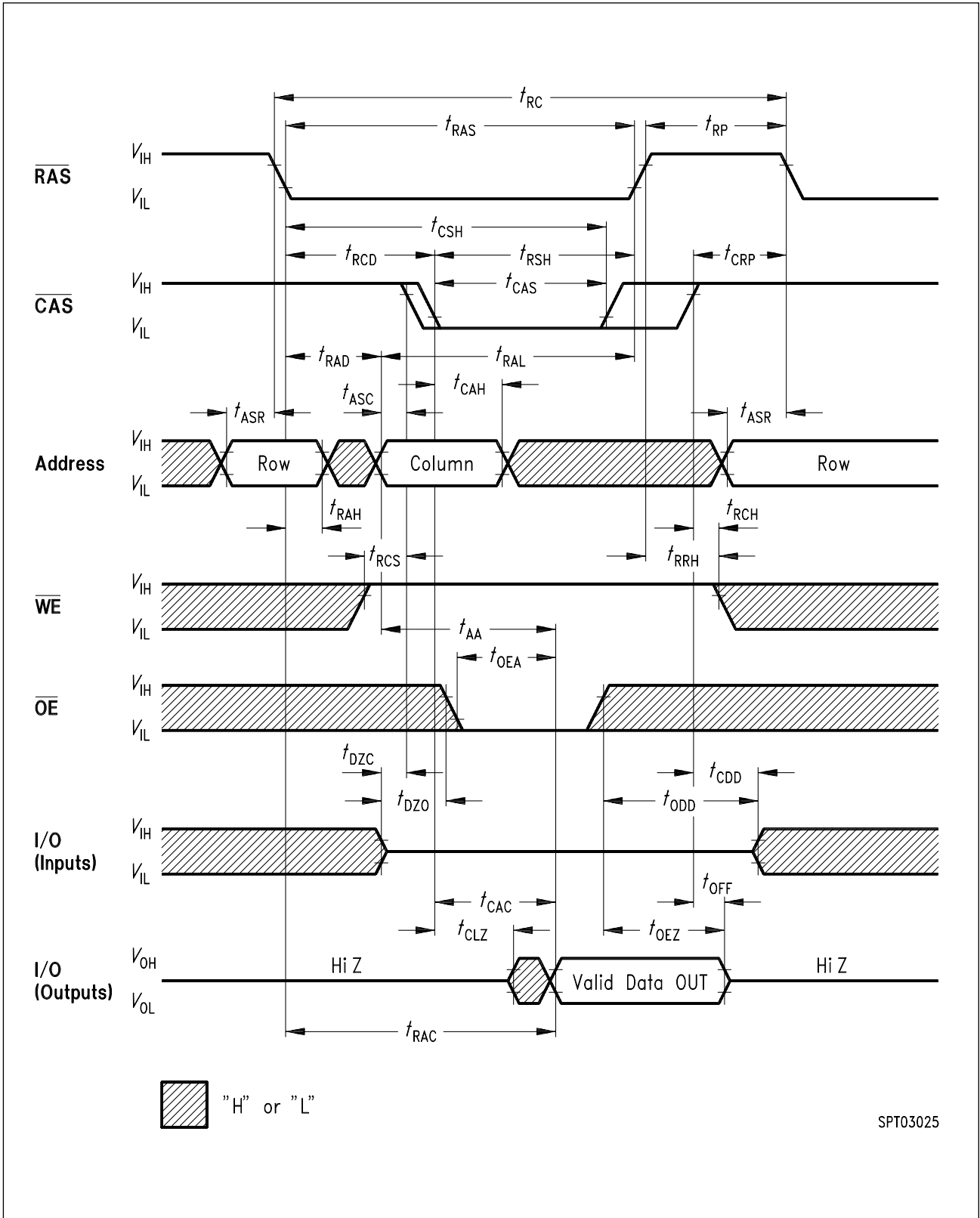
Capacitance

$T_A = 0$ to 70 °C; $V_{CC} = 5$ V \pm 10 %; $f = 1$ MHz

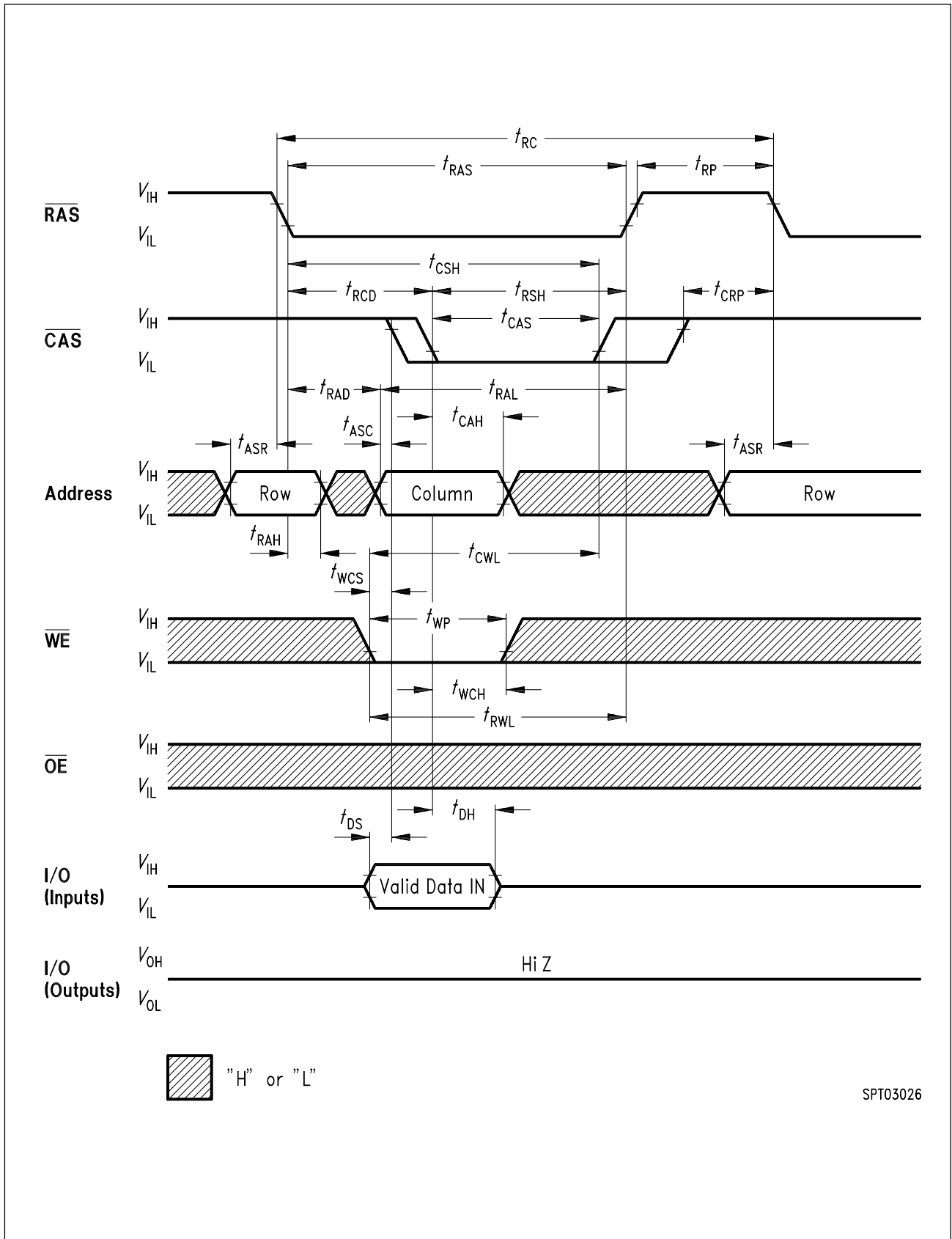
Parameter	Symbol	Limit Values		Unit
		min.	max.	
Input capacitance (A0 to A9)	C_{i1}	–	5	pF
Input capacitance ($\overline{\text{RAS}}$, $\overline{\text{CAS}}$, $\overline{\text{WE}}$, $\overline{\text{OE}}$)	C_{i2}	–	7	pF
Output capacitance (IO1 to IO4)	C_{io}	–	7	pF

Notes:

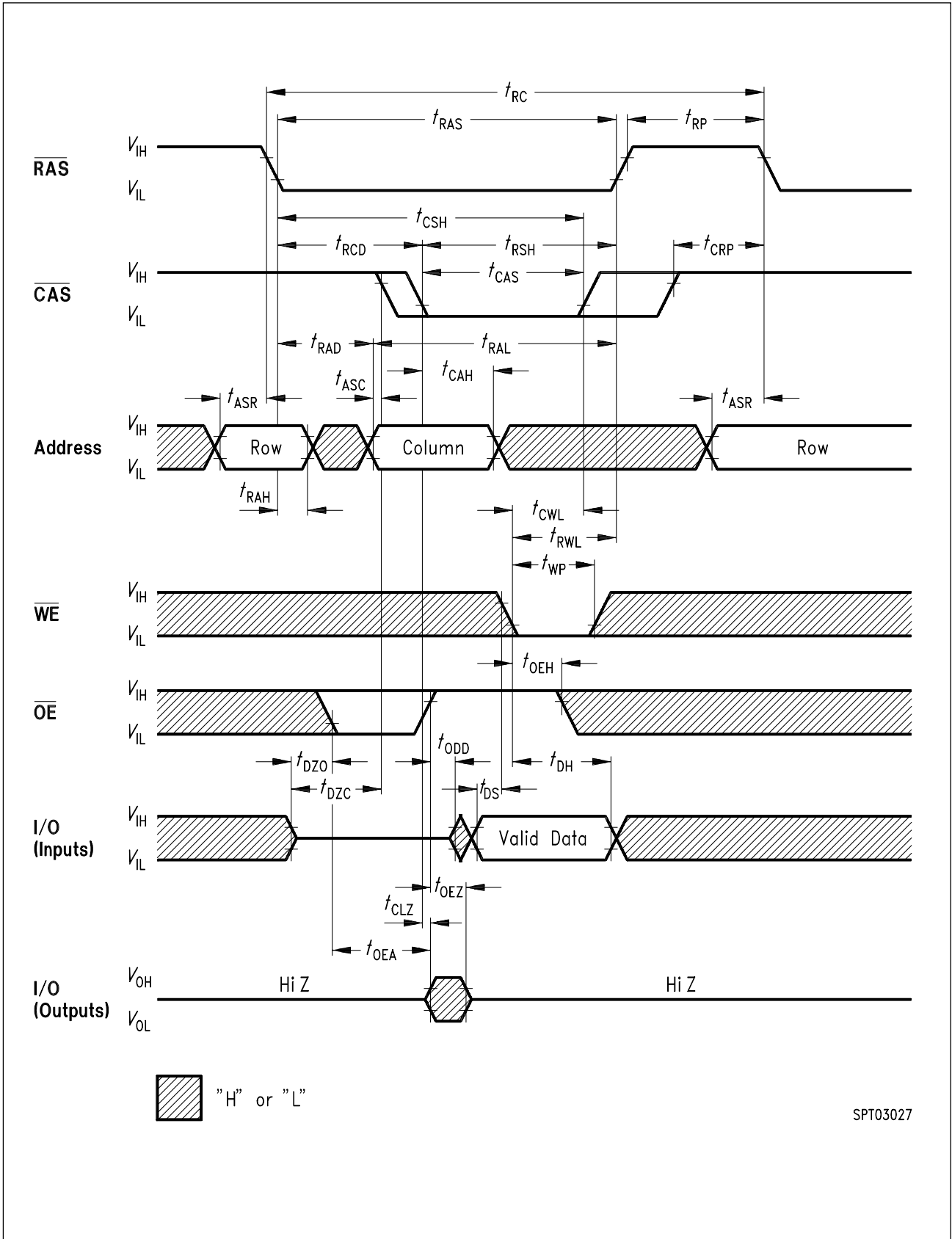
- 1) All voltages are referenced to V_{SS} .
- 2) I_{CC1} , I_{CC3} , I_{CC4} and I_{CC6} depend on cycle rate.
- 3) I_{CC1} and I_{CC4} depend on output loading. Specified values are obtained with the output open.
- 4) Address can be changed once or less while $RAS = V_{il}$. In case of I_{CC4} it can be changed once or less during a hyper page mode (EDO) cycle
- 5) An initial pause of 200 μs is required after power-up followed by 8 \overline{RAS} cycles of which at least one cycle has to be a refresh cycle, before proper device operation is achieved. In case of using the internal refresh counter, a minimum of 8 CAS-before-RAS initialization cycles instead of 8 RAS cycles are required.
- 6) AC measurements assume $t_T = 2$ ns.
- 7) $V_{IH (min.)}$ and $V_{IL (max.)}$ are reference levels for measuring timing of input signals. Transition times are also measured between V_{IH} and V_{IL} .
- 8) Measured with the specified current load and 100 pF at $V_{ol} = 0.8$ V and $V_{oh} = 2.0$ V. Access time is determined by the latter of t_{RAC} , t_{CAC} , t_{AA} , t_{CPA} , t_{OEA} . t_{CAC} is measured from tristate.
- 9) Operation within the $t_{RCD (max.)}$ limit ensures that $t_{RAC (max.)}$ can be met. $t_{RCD (max.)}$ is specified as a reference point only. If t_{RCD} is greater than the specified $t_{RCD (max.)}$ limit, then access time is controlled by t_{CAC} .
- 10) Operation within the $t_{RAD (max.)}$ limit ensures that $t_{RAC (max.)}$ can be met. $t_{RAD (max.)}$ is specified as a reference point only. If t_{RAD} is greater than the specified $t_{RAD (max.)}$ limit, then access time is controlled by t_{AA} .
- 11) Either t_{RCH} or t_{RRH} must be satisfied for a read cycle.
- 12) $t_{OFF (max.)}$, $t_{OEZ (max.)}$ define the time at which the output achieves the open-circuit conditions and are not referenced to output voltage levels. t_{OFF} is referenced from the rising edge of \overline{RAS} or \overline{CAS} , whichever occurs last.
- 13) Either t_{DZC} or t_{DZO} must be satisfied.
- 14) Either t_{CDD} or t_{ODD} must be satisfied.
- 15) t_{WCS} , t_{RWD} , t_{CWD} and t_{AWD} are not restrictive operating parameters. They are included in the data sheet as electrical characteristics only. If $t_{WCS} > t_{WCS (min.)}$, the cycle is an early write cycle and data out pin will remain open-circuit (high impedance) through the entire cycle; if $t_{RWD} > t_{RWD (min.)}$, $t_{CWD} > t_{CWD (min.)}$ and $t_{AWD} > t_{AWD (min.)}$, the cycle is a read-write cycle and I/O will contain data read from the selected cells. If neither of the above sets of conditions is satisfied, the condition of I/O (at access time) is indeterminate.
- 16) These parameters are referenced to the \overline{CAS} leading edge in early write cycles and to the \overline{WE} leading edge in read-write cycles.



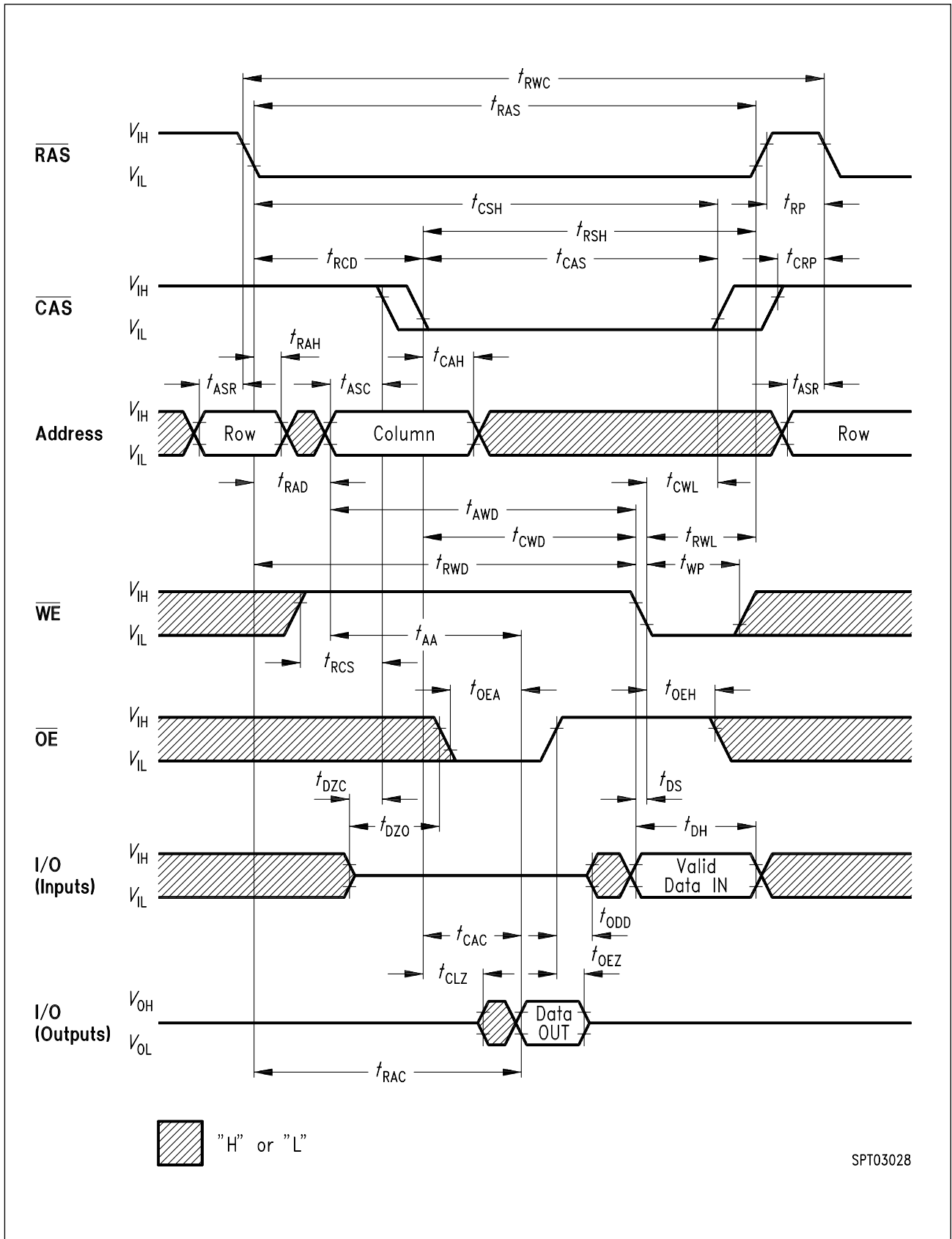
Read Cycle



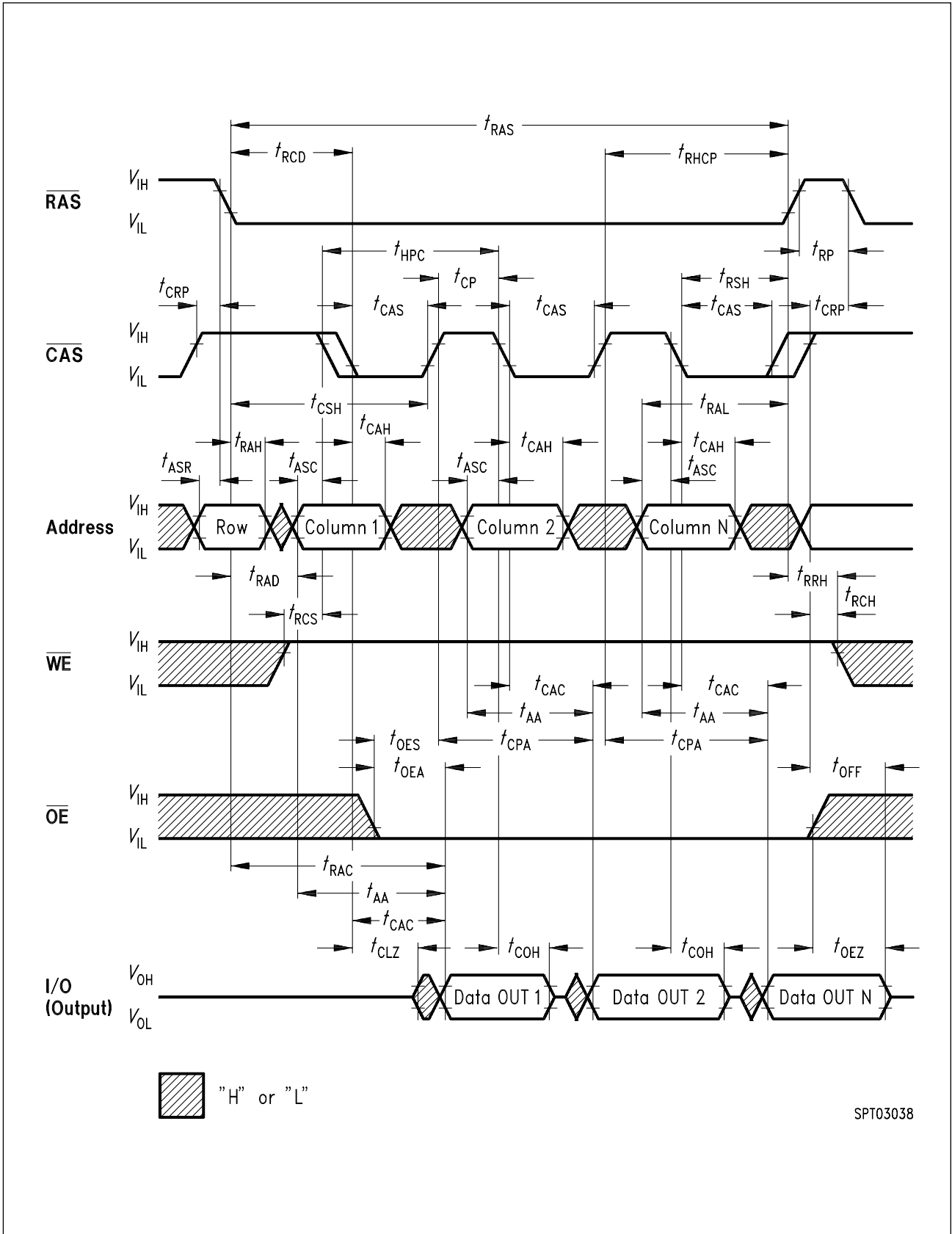
Write Cycle (Early Write)



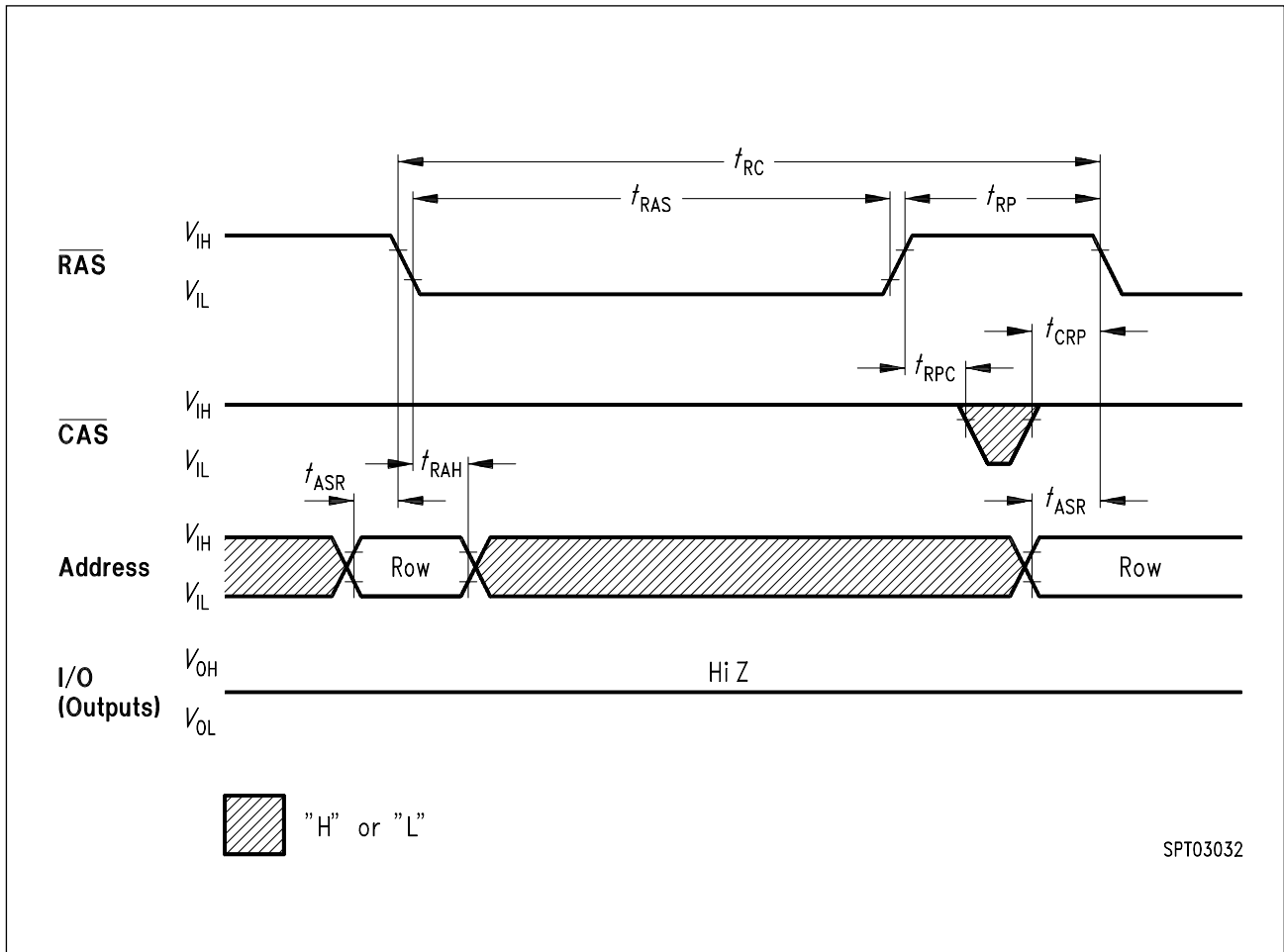
Write Cycle (\overline{OE} Controlled Write)



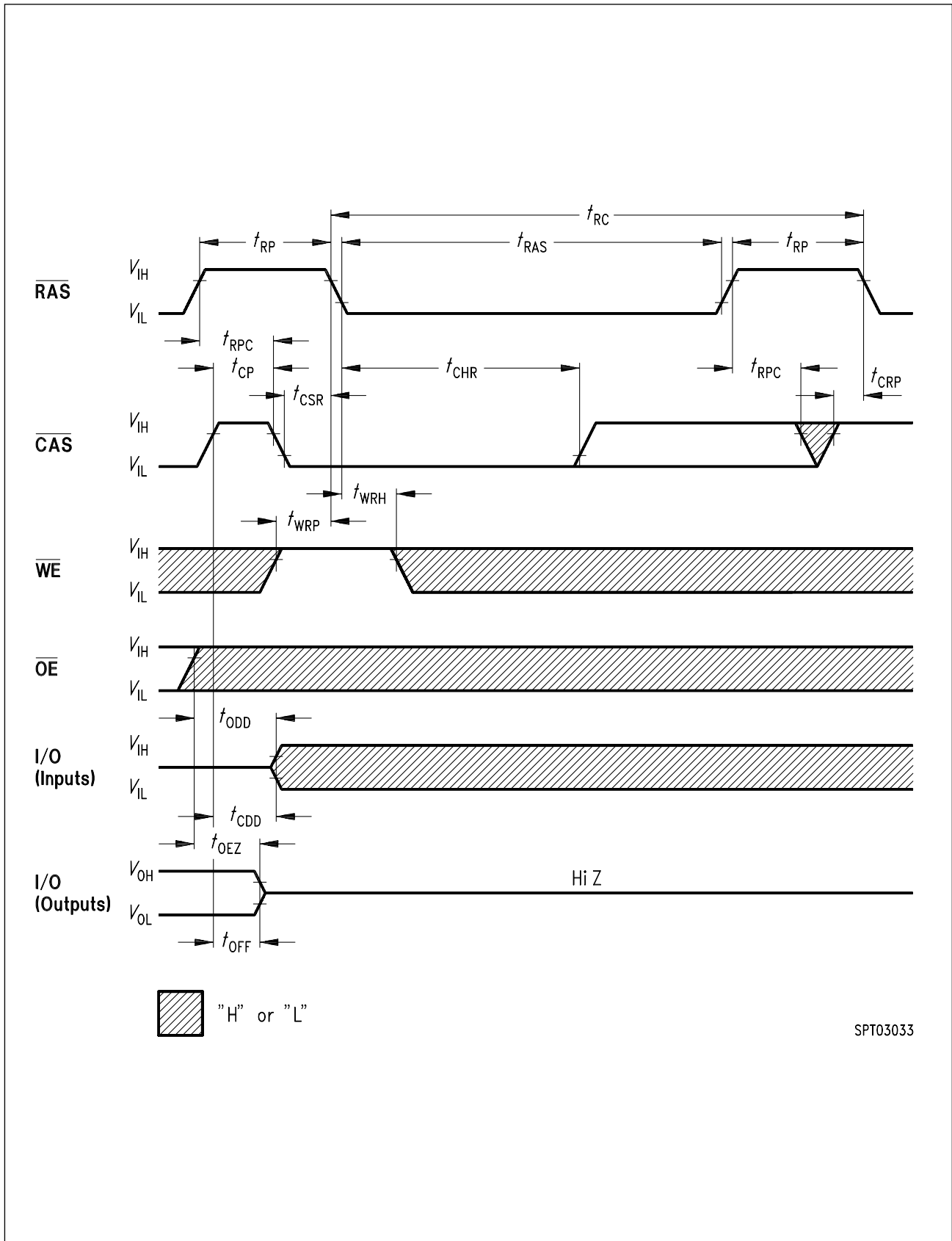
Read-Write (Read-Modify-Write) Cycle



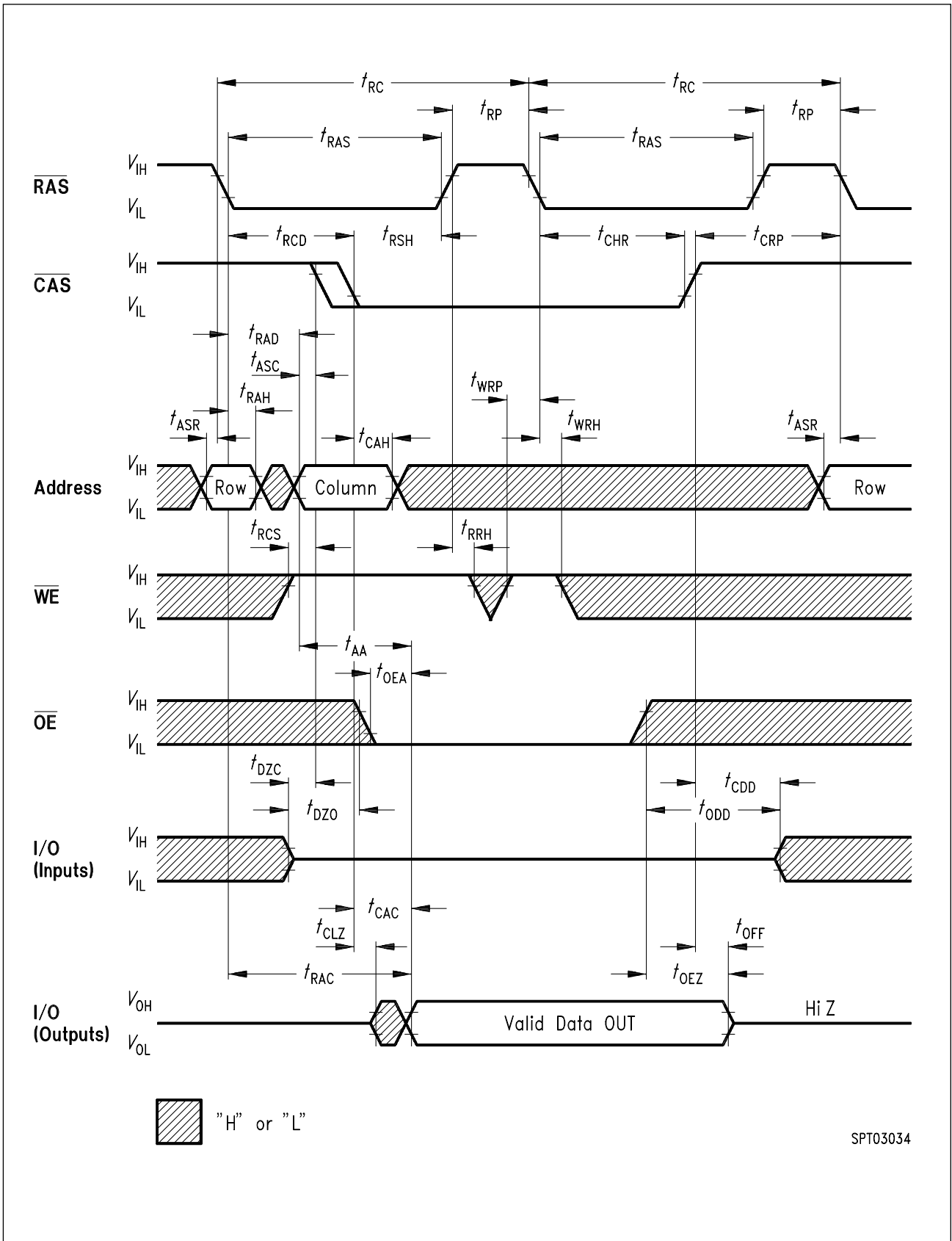
Hyper Page Mode (EDO) Read Cycle



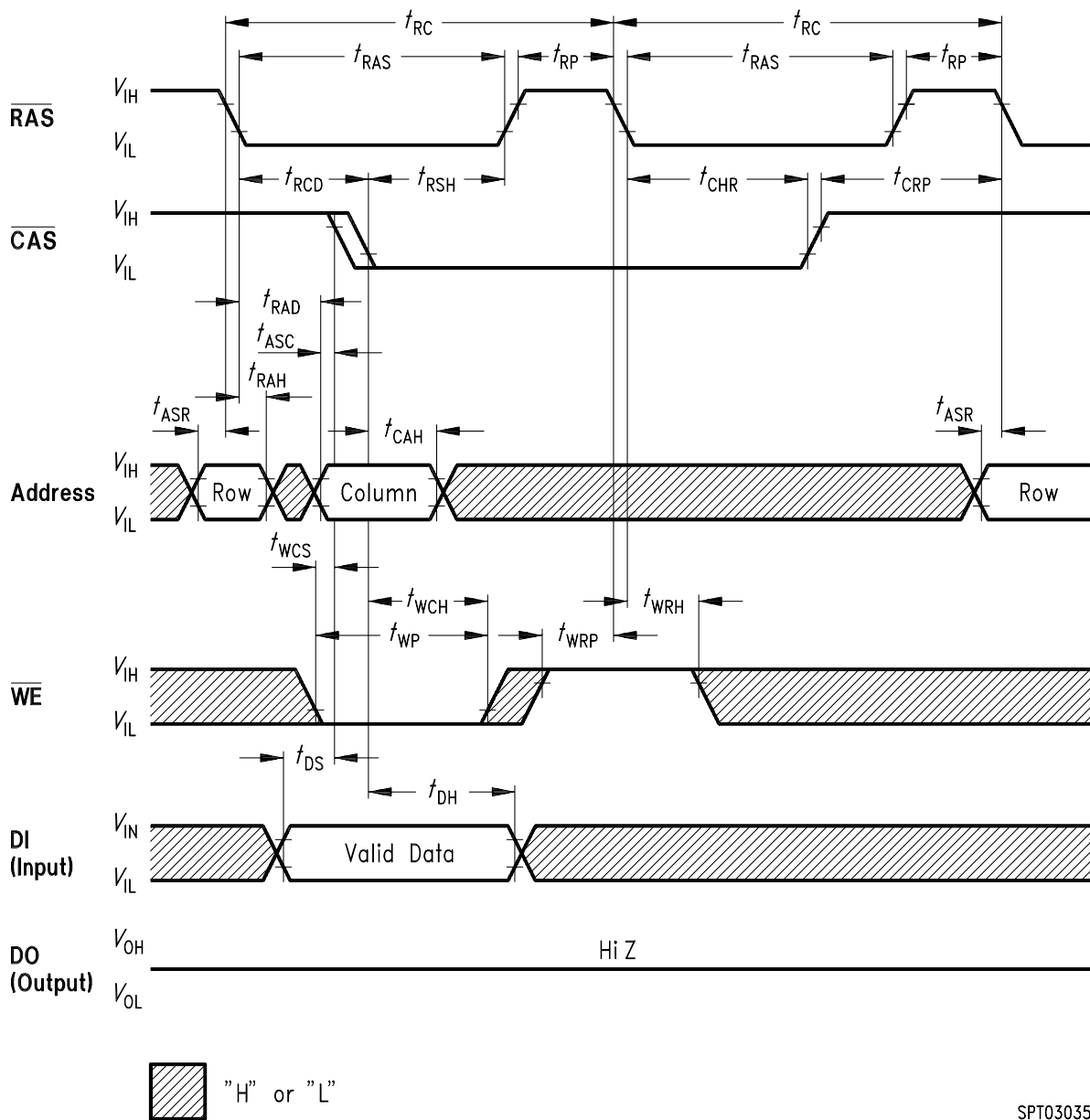
$\overline{\text{RAS}}$ -Only Refresh Cycle



CAS-Before-RAS Refresh Cycle

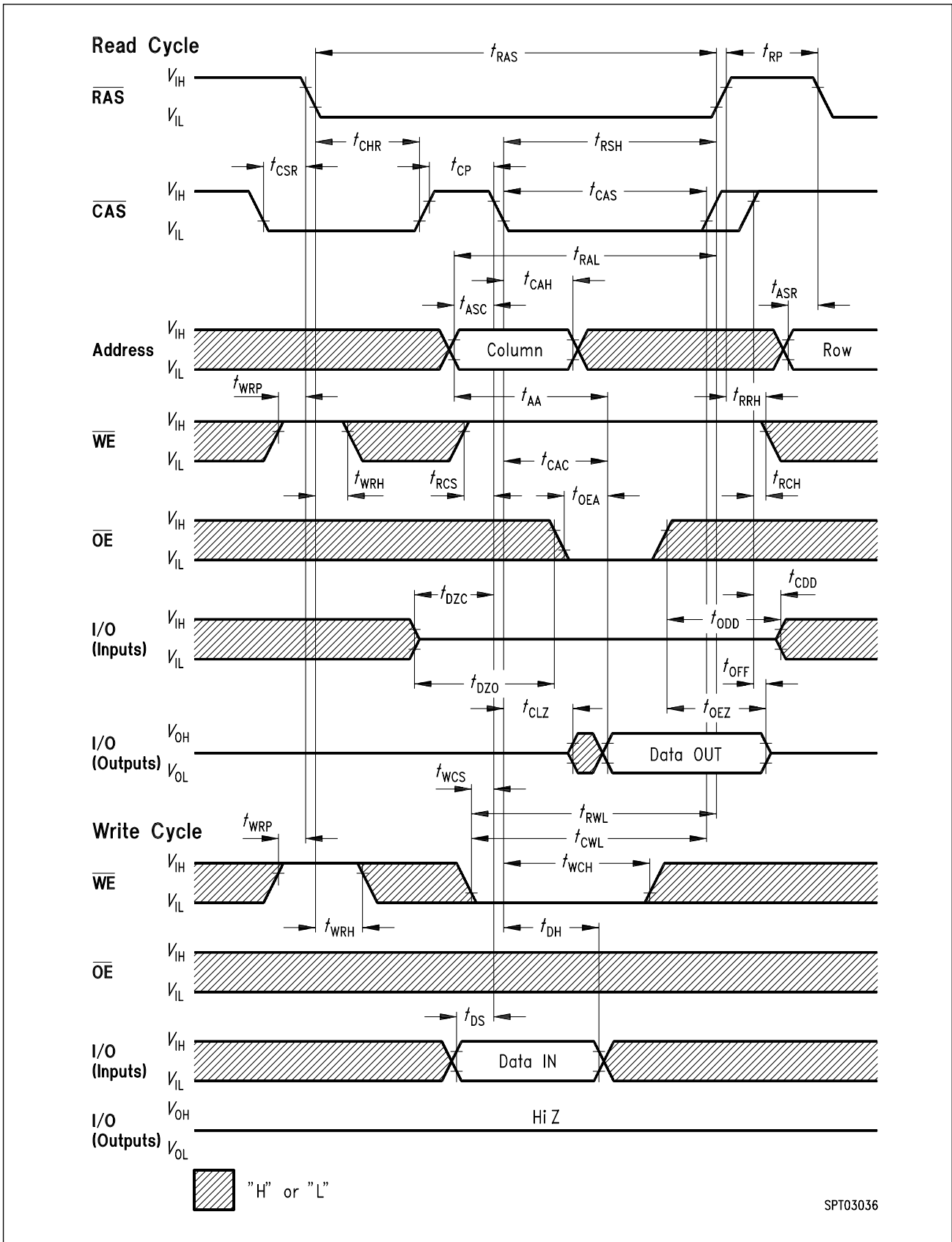


Hidden Refresh Cycle (Read)

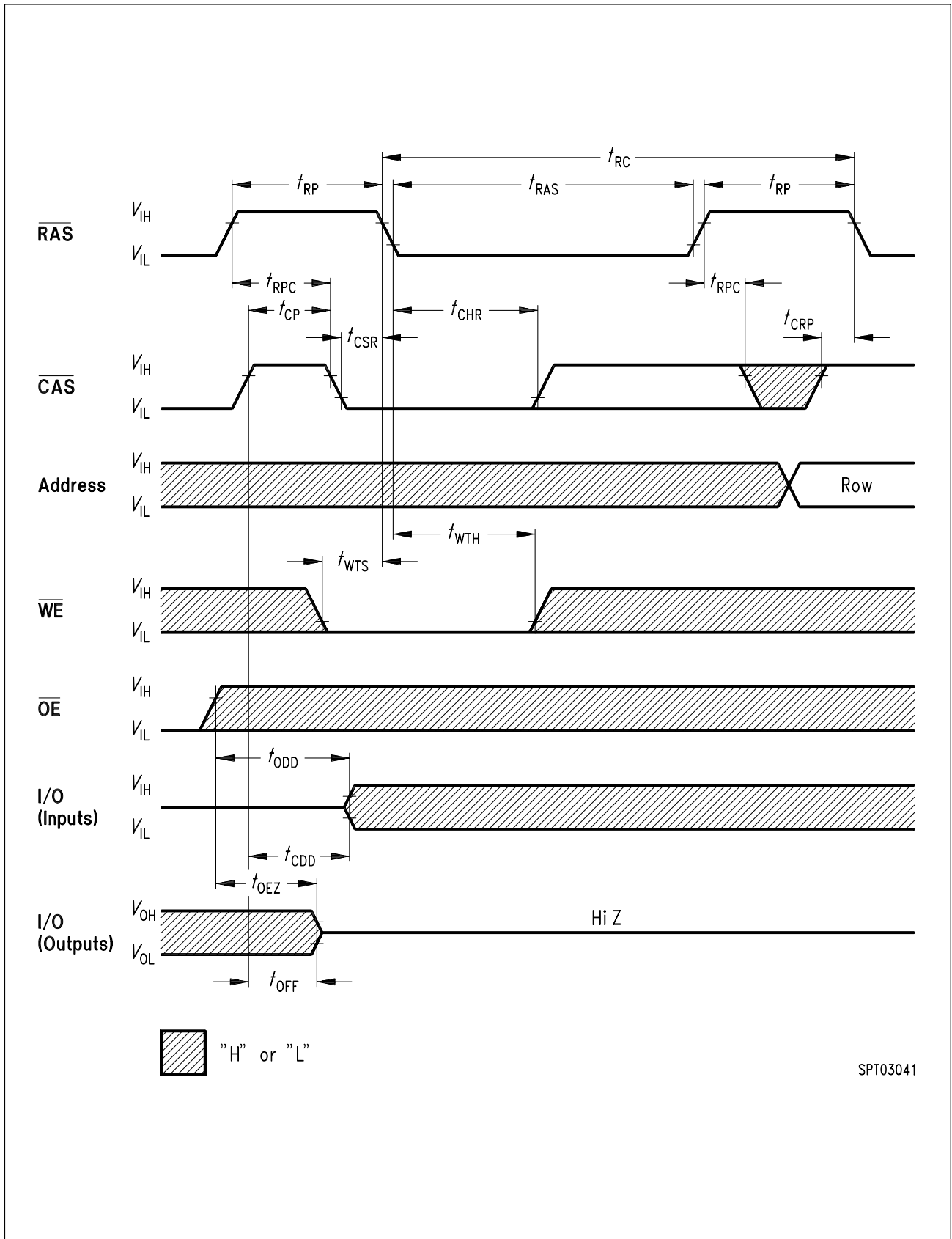


SPT03035

Hidden Refresh Cycle (Early Write)



CAS-Before-RAS Refresh Counter Test Cycle



Test Mode Entry

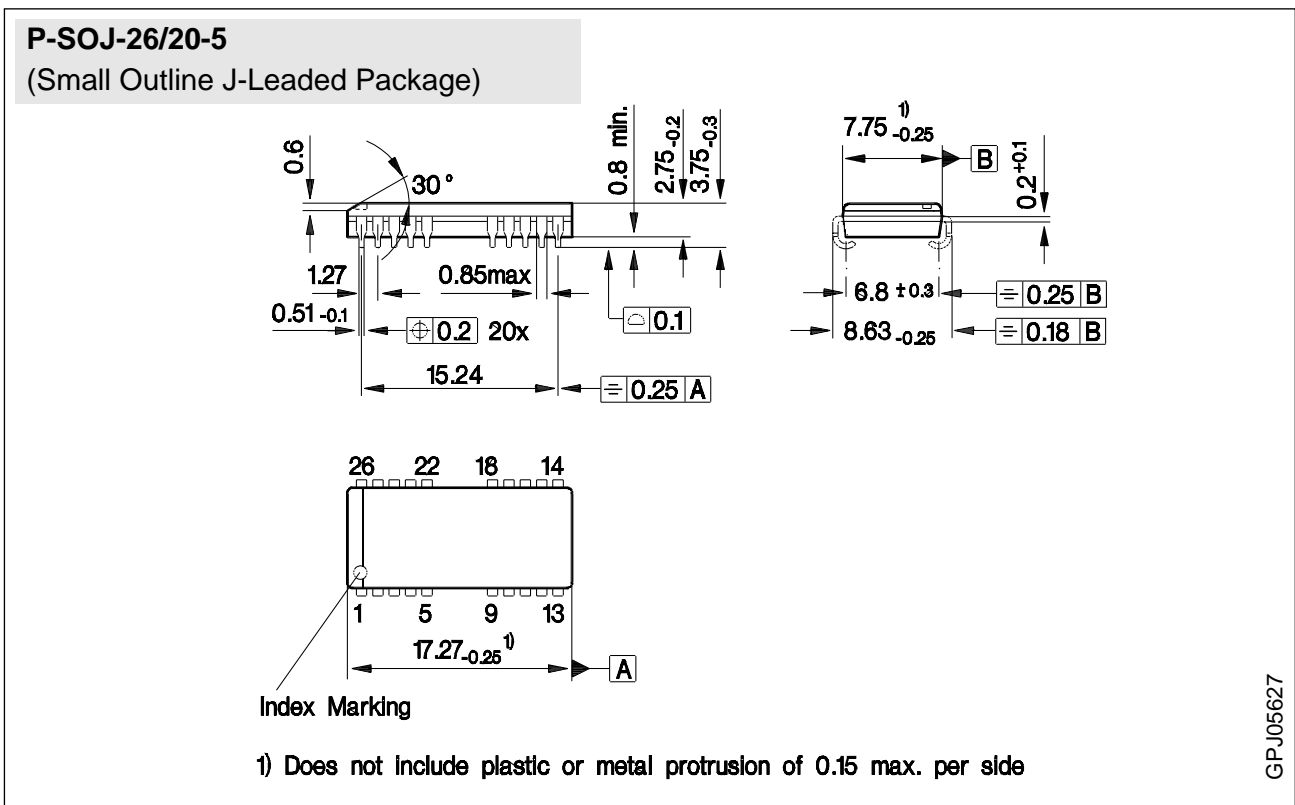
Test Mode

As the HYB 514405BJ/BT is organized internally as 512K x 8-bits, a test mode cycle using 8:1 compression can be used to improve test time. Note that in the 1M x 4 version the test time is reduced by 1/2 for a linear test pattern.

In a test mode "write" the data from each I/O1 pin is written into eight bits simultaneously (all "1"s or all "0"s). The I/O2-I/O4 inputs are not used for writing in test mode. In test mode "read" each I/O output is used for indicating the test mode result. If the internal eight bits are equal, the I/O would indicate a "1". If they were not equal, the I/O would indicate a "0". Note that in test mode "read" I/O1-I/O3 are always driven to "ones", i.e. all outputs will be "1"s for a test mode "pass". The WCBR cycle (\overline{WE} , \overline{CAS} before \overline{RAS}) puts the device into test mode. To exit from test mode, a " \overline{CAS} before \overline{RAS} refresh", " \overline{RAS} only refresh" or "Hidden refresh" can be used.

Addresses A10R, A10C and A0C are don't care during test mode.

Package Outlines



Sorts of Packing

Package outlines for tubes, trays etc. are contained in our Data Book "Package Information".

SMD = Surface Mounted Device

Dimensions in mm