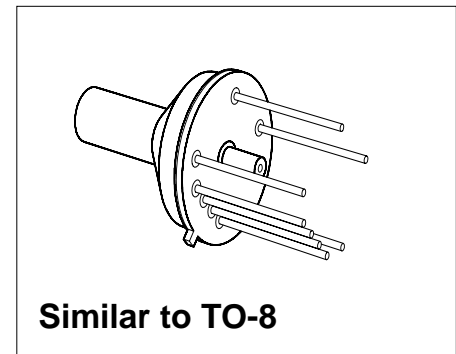


Silicon Piezoresistive Relative Pressure Sensor

KPY 32-R

Features

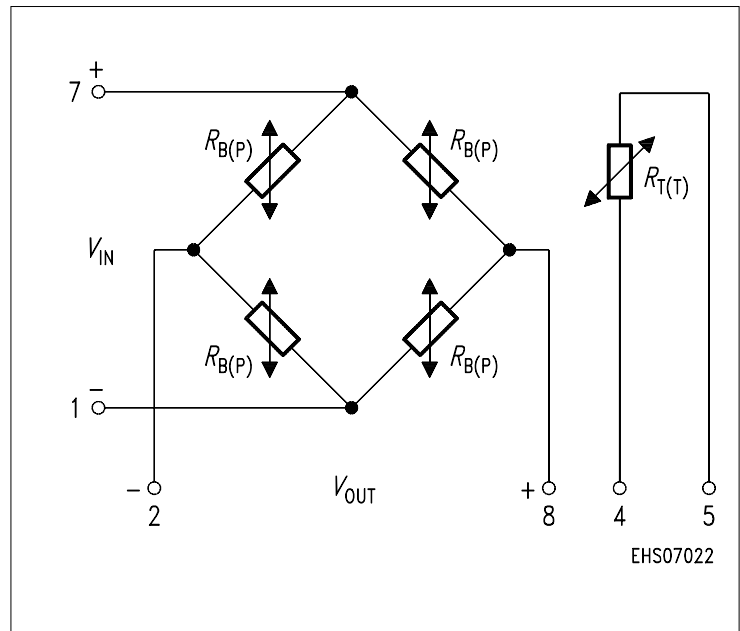
- Low pressure and temperature hysteresis
- Fast response
- High sensitivity and linearity
- Fatigue free monocrystalline silicon diaphragm giving high load cycle stability
- High long term stability
- Metal housing



Type and Marking	Symbol	Pressure Range	Unit	Ordering Code
KPY 32-R	$P_0 \dots P_N$	0 ... 0.06	bar	Q62705-K150

Pin Configuration

1	$-V_{IN}$
2	$-V_{OUT}$
3	Not connected
4	Temperature sensor
5	Temperature sensor
6	Shielding, to be connected to $+V_{IN}$
7	$+V_{IN}$
8	$+V_{OUT}$



Absolute Maximum Ratings

Parameter	Symbol	Limit Values	Unit
Pressure overload	P_{MAX}	0.6	bar
Operating temperature range	T_A	- 40 ... + 125	°C
Storage temperature range	T_{stg}	- 50 ... + 150	°C
Supply voltage	V_{IN}	12	V

Electrical Characteristics

at $T_A = 25\text{ °C}$, unless otherwise specified.

Parameter	Symbol	Limit Values			Unit
		min.	typ.	max.	
Bridge resistance	R_B	4	-	8	kΩ
Sensitivity	s	100.0	220.0	-	mV/Vbar
Output voltage	V_{fin}	30.0	66.0	-	mV
Offset voltage $P = P_0$	V_0	- 25	-	+ 25	mV
Linearity error (Best fit straight line) $P = P_0 \dots P_N$	F_L	-	± 0.3	-	% V_{fin}
Pressure hysteresis $P_1 = P_0, P_2 = P_N, P_3 = P_0$	P_H	-	± 0.1	-	% V_{fin}

Electrical Characteristics

at $T_1 = 25\text{ °C}$, $T_2 = 125\text{ °C}$, $T_3 = 25\text{ °C}$ and $V_{IN} = 5\text{ V}$, unless otherwise specified.

Parameter	Symbol	Limit Values			Unit
		min.	typ.	max.	
Temperature coefficient of V_{fin}	$TC_{V_{fin}}$	- 0.19	-	- 0.10	%/K
Temperature coefficient of V_0	TC_{V_0}	- 0.06	-	+ 0.06	%/K
Temperature coefficient of R_B	TC_{R_B}	-	+ 0.095	-	%/K
Temperature hysteresis of V_0, V_{fin}	TH	- 0.7	± 0.2	+ 0.7	% v. V_{fin}

