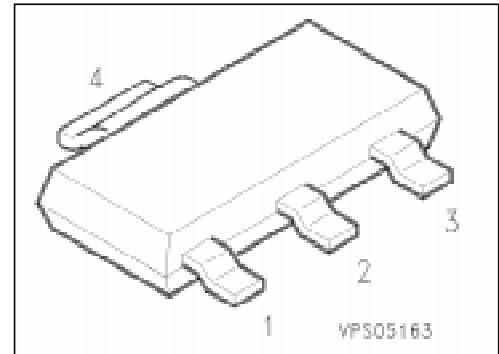


## PNP Silicon Switching Transistors

**PZT 2907**  
**PZT 2907 A**

- High DC current gain: 0.1 mA to 500 mA
- Low collector-emitter saturation voltage
- Complementary types: PZT 2222 (NPN)  
PZT 2222 A (NPN)



Type	Marking	Ordering Code (tape and reel)	Pin Configuration				Package <sup>1)</sup>
			1	2	3	4	
PZT 2907 PZT 2907 A	ZT 2907 ZT 2907 A	Q62702-Z2028 Q62702-Z2025	B	C	E	C	SOT-223

### Maximum Ratings

Parameter	Symbol	Values		Unit
		PZT 2907	PZT 2907 A	
Collector-emitter voltage	$V_{CE0}$	40	60	V
Collector-base voltage	$V_{CB0}$	60		
Emitter-base voltage	$V_{EB0}$	5		
Collector current	$I_C$	600		mA
Total power dissipation, $T_s = 110\text{ °C}$	$P_{tot}$	1.5		W
Junction temperature	$T_j$	150		°C
Storage temperature range	$T_{stg}$	- 65 ... + 150		

### Thermal Resistance

Junction - ambient <sup>2)</sup>	$R_{th JA}$	≤ 87	K/W
Junction - soldering point	$R_{th JS}$	≤ 27	

<sup>1)</sup> For detailed information see chapter Package Outlines.

<sup>2)</sup> Package mounted on epoxy pcb 40 mm × 40 mm × 1.5 mm/6 cm<sup>2</sup> Cu.

## Electrical Characteristics

at  $T_A = 25\text{ °C}$ , unless otherwise specified.

Parameter	Symbol	Values			Unit
		min.	typ.	max.	
<b>DC characteristics</b>					
Collector-emitter breakdown voltage $I_C = 10\text{ mA}$ , $I_B = 0$	$V_{(BR)CE0}$				V
PZT 2907		40	–	–	
PZT 2907 A		60	–	–	
Collector-base breakdown voltage $I_C = 10\text{ }\mu\text{A}$ , $I_B = 0$	$V_{(BR)CB0}$				
PZT 2907		60	–	–	
PZT 2907 A		60	–	–	
Emitter-base breakdown voltage $I_E = 10\text{ }\mu\text{A}$ , $I_E = 0$	$V_{(BR)EB0}$	5	–	–	
Collector-base cutoff current $V_{CB} = 50\text{ V}$ , $I_E = 0$	$I_{CB0}$				nA
PZT 2907		–	–	20	nA
PZT 2907 A		–	–	10	nA
$V_{CB} = 50\text{ V}$ , $I_E = 0$ , $T_A = 150\text{ °C}$					$\mu\text{A}$
PZT 2907		–	–	20	$\mu\text{A}$
PZT 2907 A		–	–	10	$\mu\text{A}$
Emitter-base cutoff current $V_{EB} = 3\text{ V}$ , $I_C = 0$	$I_{EB0}$	–	–	10	nA
Collector-emitter cutoff current $V_{CE} = 30\text{ V}$ , + $V_{BE} = 0.5\text{ V}$	$I_{CEV}$	–	–	50	
Collector-base cutoff current $V_{CE} = 30\text{ V}$ , + $V_{BE} = 0.5\text{ V}$	$I_{EBV}$	–	–	50	
DC current gain <sup>1)</sup> $I_C = 0.1\text{ mA}$ , $V_{CE} = 10\text{ V}$	$h_{FE}$				–
PZT 2907		35	–	–	
PZT 2907 A		75	–	–	
$I_C = 1\text{ mA}$ , $V_{CE} = 10\text{ V}$					
PZT 2907		50	–	–	
PZT 2907 A		100	–	–	
$I_C = 10\text{ mA}$ , $V_{CE} = 10\text{ V}$					
PZT 2907		75	–	–	
PZT 2907 A		100	–	–	
$I_C = 150\text{ mA}$ , $V_{CE} = 10\text{ V}$					
PZT 2907		100	–	300	
PZT 2907 A		100	–	300	
$I_C = 500\text{ mA}$ , $V_{CE} = 10\text{ V}$					
PZT 2907		30	–	–	
PZT 2907 A		50	–	–	

<sup>1)</sup> Pulse test conditions:  $t \leq 300\text{ }\mu\text{s}$ ,  $D = 2\%$ .

## Electrical Characteristics

at  $T_A = 25\text{ }^\circ\text{C}$ , unless otherwise specified.

Parameter	Symbol	Values			Unit
		min.	typ.	max.	

### DC characteristics

Collector-emitter saturation voltage <sup>1)</sup> $I_C = 150\text{ mA}$ , $I_B = 15\text{ mA}$ $I_C = 500\text{ mA}$ , $I_B = 50\text{ mA}$	$V_{CEsat}$	–	–	0.4 1.6	V
Base-emitter saturation voltage <sup>1)</sup> $I_C = 150\text{ mA}$ , $I_B = 15\text{ mA}$ $I_C = 500\text{ mA}$ , $I_B = 50\text{ mA}$	$V_{BEsat}$	–	–	1.3 2.6	

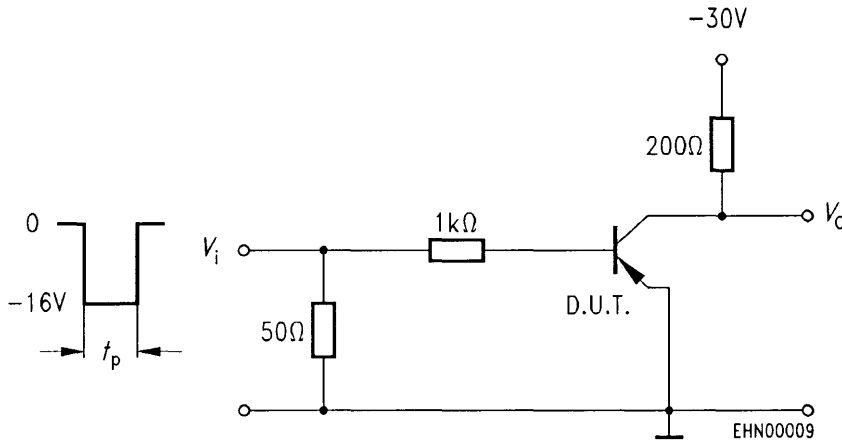
### AC characteristics

Transition frequency $I_C = 20\text{ mA}$ , $V_{CE} = 20\text{ V}$ , $f = 100\text{ MHz}$	$f_T$	200	–	–	MHz
Collector-base capacitance $V_{CB} = 10\text{ V}$ , $f = 1\text{ MHz}$	$C_{obo}$	–	–	8	pF
Input capacitance $V_{EB} = 0.5\text{ V}$ , $f = 1\text{ MHz}$	$C_{ibo}$	–	–	30	
$V_{CC} = 30\text{ V}$ , $I_C = 150\text{ mA}$ , $I_{B1} = 15\text{ mA}$ Delay time	$t_d$	–	–	10	ns
Rise time	$t_r$	–	–	40	ns
$V_{CC} = 6\text{ V}$ , $I_C = 150\text{ mA}$ , $I_{B1} = I_{B2} = 15\text{ mA}$ Storage time	$t_{stg}$	–	–	80	ns
Fall time (see diagrams)	$t_f$	–	–	30	ns

<sup>1)</sup> Pulse test conditions:  $t \leq 300\text{ }\mu\text{s}$ ,  $D = 2\text{ }\%$ .

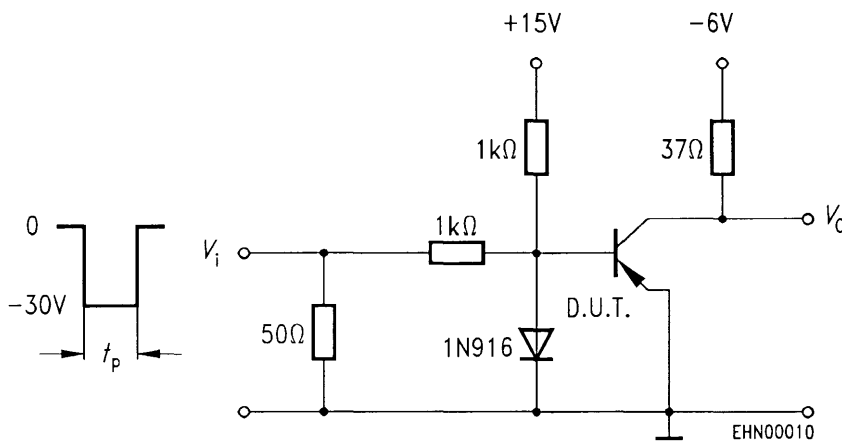
### Input waveform and test circuit for determining delay, rise and turn-on time

Turn-on time when switched to  $-I_{Con} = 150 \text{ mA}$ ;  $-I_{Bon} = 15 \text{ mA}$



### Input waveform and test circuit for determining storage, fall and turn-off time

Turn-off time when switched to  $-I_{Con} = 150 \text{ mA}$ ;  
 $-I_{Bon} = 15 \text{ mA}$  to cut-off with  $+I_{Boff} = 15 \text{ mA}$



Pulse generator:

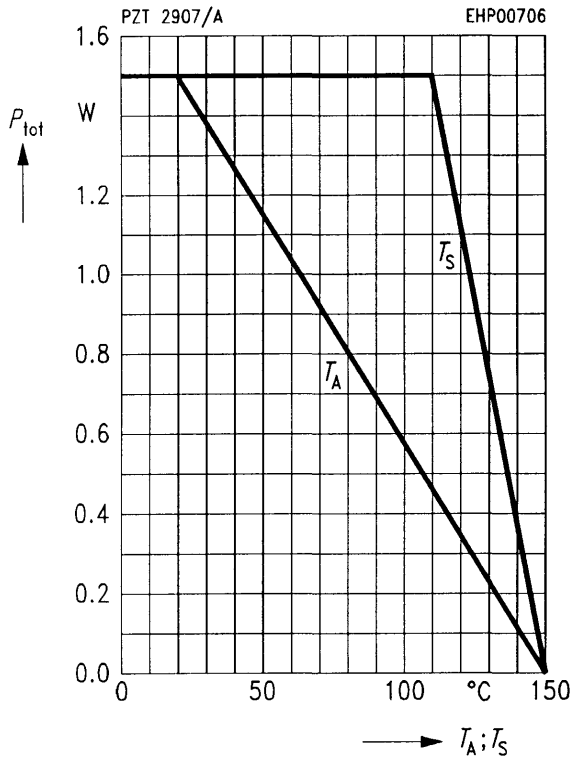
duty factor  $D = 2 \%$   
pulse duration  $t_p = 200 \text{ ns}$   
rise time  $t_r \leq 2 \text{ ns}$   
output impedance  $Z_o = 50 \Omega$

Oscillograph:

rise time  $t_r \leq 5 \text{ ns}$   
output impedance  $Z_i = 10 \text{ M}\Omega$

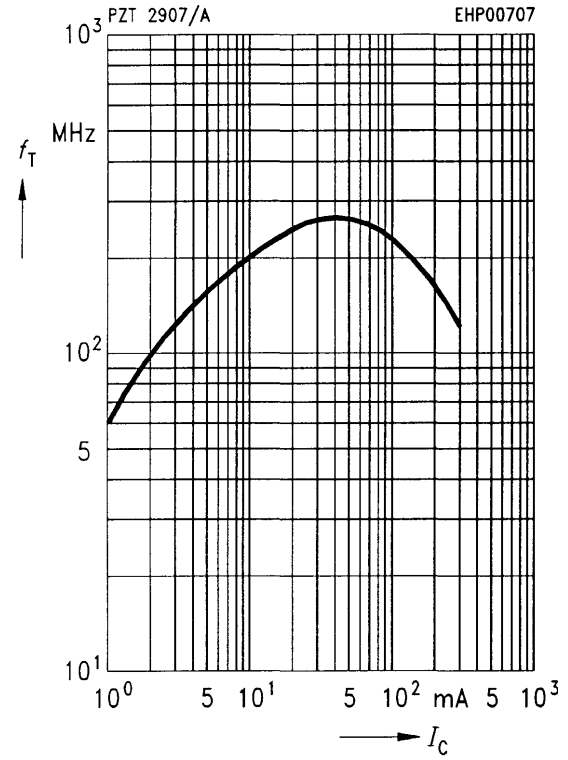
### Total power dissipation $P_{tot} = f(T_A^*; T_S)$

\* Package mounted on epoxy



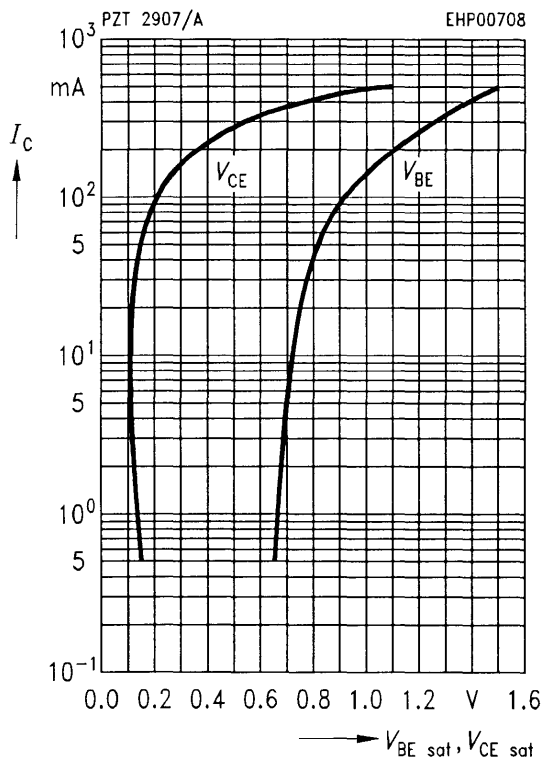
### Transition frequency $f_T = f(I_C)$

$V_{CE} = 20 \text{ V}, f = 100 \text{ MHz}$



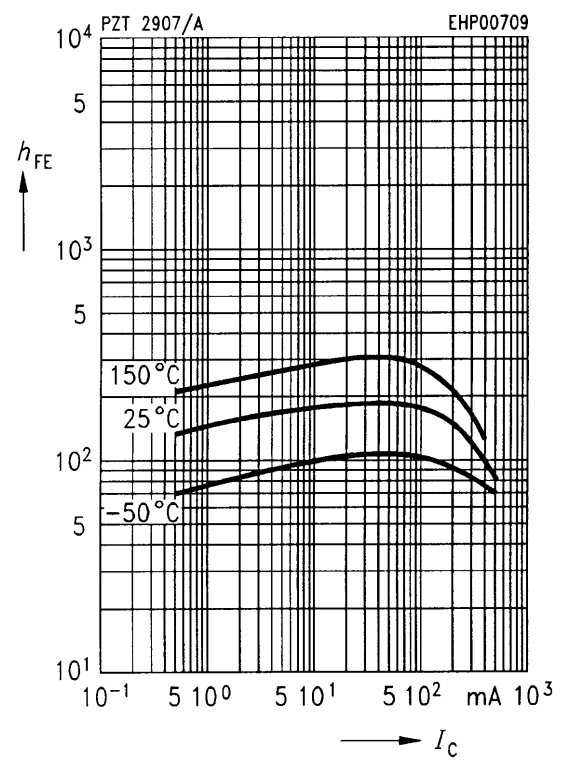
### Saturation voltage $I_C = f(V_{BEsat}, V_{CEsat})$

$h_{FE} = 10$



### DC current gain $h_{FE} = f(I_C)$

$V_{CE} = 10 \text{ V}$



Permissible pulse load  $P_{\text{tot max}}/P_{\text{tot DC}} = f(t_p)$

