

Features

- Output voltage tolerance $\leq \pm 4 \%$
- Low-drop voltage
- Very low current consumption
- Short-circuit proof
- Reverse polarity proof
- Suitable for use in automotive electronics

Type	Ordering Code	Package
TLE 4274 V10	Q67000-A9258	P-TO220-3-1
TLE 4274 V85	Q67000-A9257	P-TO220-3-1
TLE 4274 V50	Q67000-A9256	P-TO220-3-1
TLE 4274 D V50	Q67006-A9331	P-TO252-3-1
TLE 4274 G V10	Q67006-A9261	P-TO263-3-1
TLE 4274 G V50	Q67006-A9259	P-TO263-3-1
TLE 4274 G V85	Q67006-A9260	P-TO263-3-1

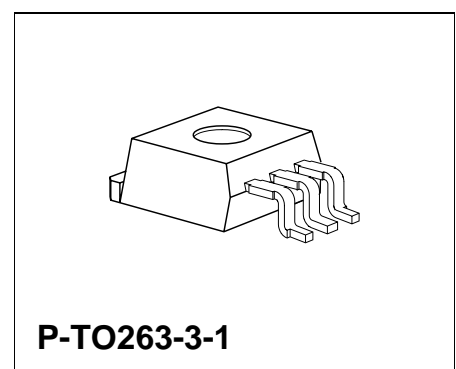
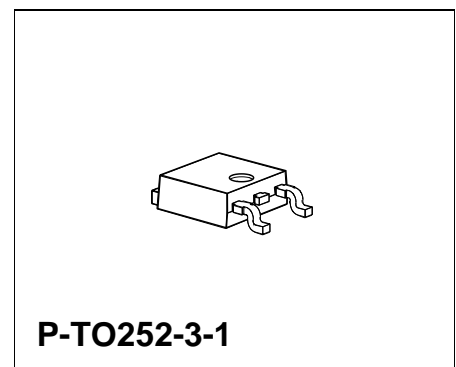
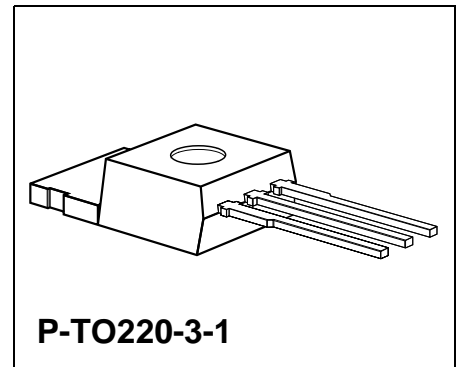
■ SMD = Surface Mounted Device

Functional Description

The TLE 4274 is a low-drop voltage regulator in a TO220 package. The IC regulates an input voltage up to 40 V to $V_{Qrated} = 5.0 \text{ V}$ (V50), 8.5 V (V85) and 10 V (V10). The maximum output current is 400 mA. The IC is short-circuit proof and incorporates temperature protection that disables the IC at over temperature.

Dimensioning Information on External Components

The input capacitor C_I is necessary for compensating line influences. Using a resistor of approx. 1Ω in series with C_I , the oscillating of input inductivity and input capacitance can be damped. The output capacitor C_Q is necessary for the stability of the regulation circuit. Stability is guaranteed at values $C_Q \geq 22 \mu\text{F}$ and an ESR of $\leq 3 \Omega$ within the operating temperature range.



Circuit Description

The control amplifier compares a reference voltage to a voltage that is proportional to the output voltage and drives the base of the series transistor via a buffer. Saturation control as a function of the load current prevents any oversaturation of the power element. The IC also incorporates a number of internal circuits for protection against:

- Overload
- Overtemperature
- Reverse polarity

Pin Configuration (top view)

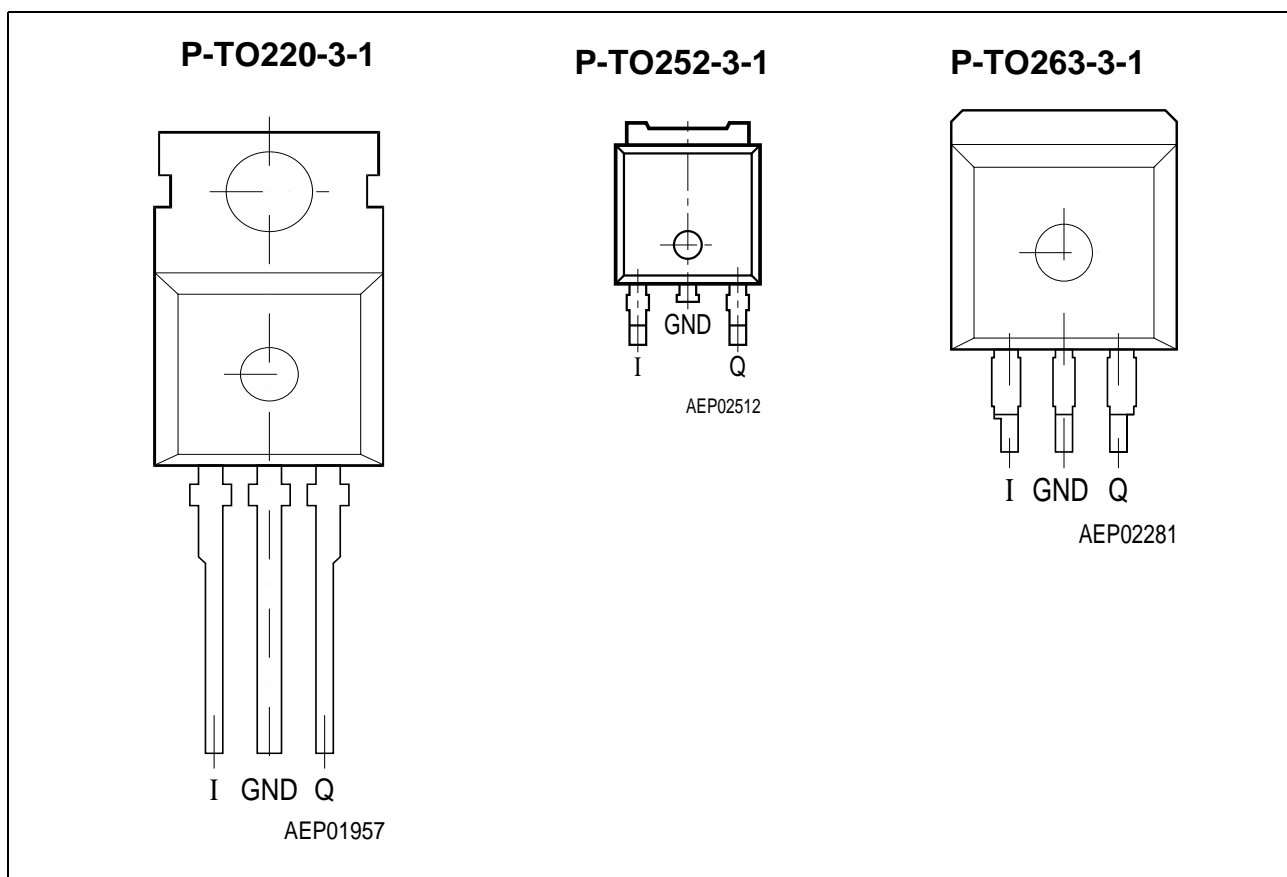


Figure 1

Pin Definitions and Functions

Pin No.	Symbol	Function
1	I	Input; block to ground directly at the IC with a ceramic capacitor.
2	GND	Ground
3	Q	Output; block to ground with a $\geq 22 \mu\text{F}$ capacitor.

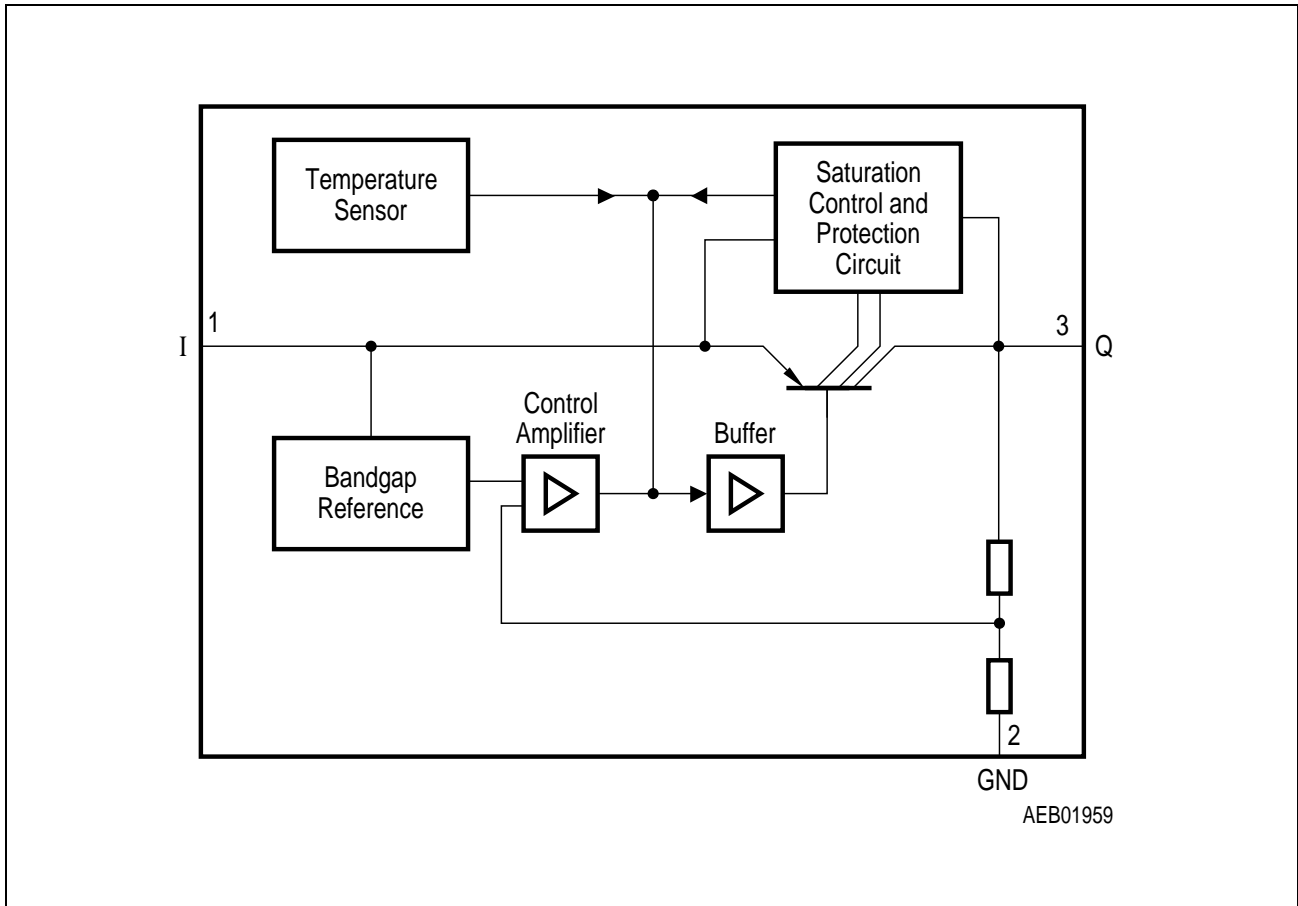


Figure 2
Block Diagram

Absolute Maximum Ratings $T_j = -40$ to 150 °C

Parameter	Symbol	Limit Values		Unit	Test Condition
		min.	max.		

Voltage Regulator**Input**

Voltage	V_I	-42	45	V	-
Current	I_I	-	-	-	Internally limited

Output

Voltage	V_Q	-1.0	40	V	-
Current	I_Q	-	-	-	Internally limited

Ground

Current	I_{GND}	-	100	mA	-
---------	-----------	---	-----	----	---

Temperature

Junction temperature	T_j	-	150	°C	-
Storage temperature	T_{stg}	-50	150	°C	-

Note: Maximum ratings are absolute ratings; exceeding any one of these values may cause irreversible damage to the integrated circuit.

Operating Range

Parameter	Symbol	Limit Values		Unit	Remarks
		min.	max.		
Input voltage	V_I	5.5 9.0/10.5	40 40/40	V	V50 V85/V10
Junction temperature	T_j	-40	150	°C	-

Thermal Resistance

Junction ambient	R_{thja}	-	65	K/W	TO220
Junction ambient	R_{thja}	-	70	K/W	TO252 ¹⁾ , TO263
Junction case	R_{thjc}	-	4	K/W	-

¹⁾ Soldered in, min. footprint

Characteristics

$V_I = 13.5 \text{ V}$; $-40 \text{ }^\circ\text{C} < T_j < 150 \text{ }^\circ\text{C}$ (unless otherwise specified)

Parameter	Symbol	Limit Values			Unit	Measuring Conditions
		min.	typ.	max.		
Output voltage V50-Version	V_Q	4.8	5	5.2	V	$5 \text{ mA} < I_Q < 400 \text{ mA}$ $6 \text{ V} < V_I < 40 \text{ V}$
Output voltage V85-Version	V_Q	8.16	8.5	8.84	V	$5 \text{ mA} < I_Q < 400 \text{ mA}$ $9.5 \text{ V} < V_I < 40 \text{ V}$
Output voltage V10-Version	V_Q	9.6	10	10.4	V	$5 \text{ mA} < I_Q < 400 \text{ mA}$ $11 \text{ V} < V_I < 40 \text{ V}$
Output current limitation ¹⁾	I_Q	400	600	–	mA	–
Current consumption; $I_q = I_I - I_Q$	I_q	–	100	220	μA	$I_Q = 1 \text{ mA}$
Current consumption; $I_q = I_I - I_Q$	I_q	–	8	15	mA	$I_Q = 250 \text{ mA}$
	I_q	–	20	30	mA	$I_Q = 400 \text{ mA}$
Drop voltage ¹⁾	V_{dr}	–	250	500	mV	$I_Q = 250 \text{ mA}$ $V_{dr} = V_I - V_Q$
Load regulation	ΔV_Q	–	20	50	mV	$I_Q = 5 \text{ mA}$ to 400 mA
Line regulation	ΔV_Q	–	10	25	mV	$\Delta V_I = 12 \text{ V}$ to 32 V $I_Q = 5 \text{ mA}$
Power supply ripple rejection	$PSRR$	–	60	–	dB	$f_r = 100 \text{ Hz}$; $V_r = 0.5 V_{SS}$
Temperature output voltage drift	$\frac{dV_Q}{dT}$	–	0.5	–	mV/K	–

¹⁾ Measured when the output voltage V_Q has dropped 100 mV from the nominal value obtained at $V_I = 13.5 \text{ V}$.

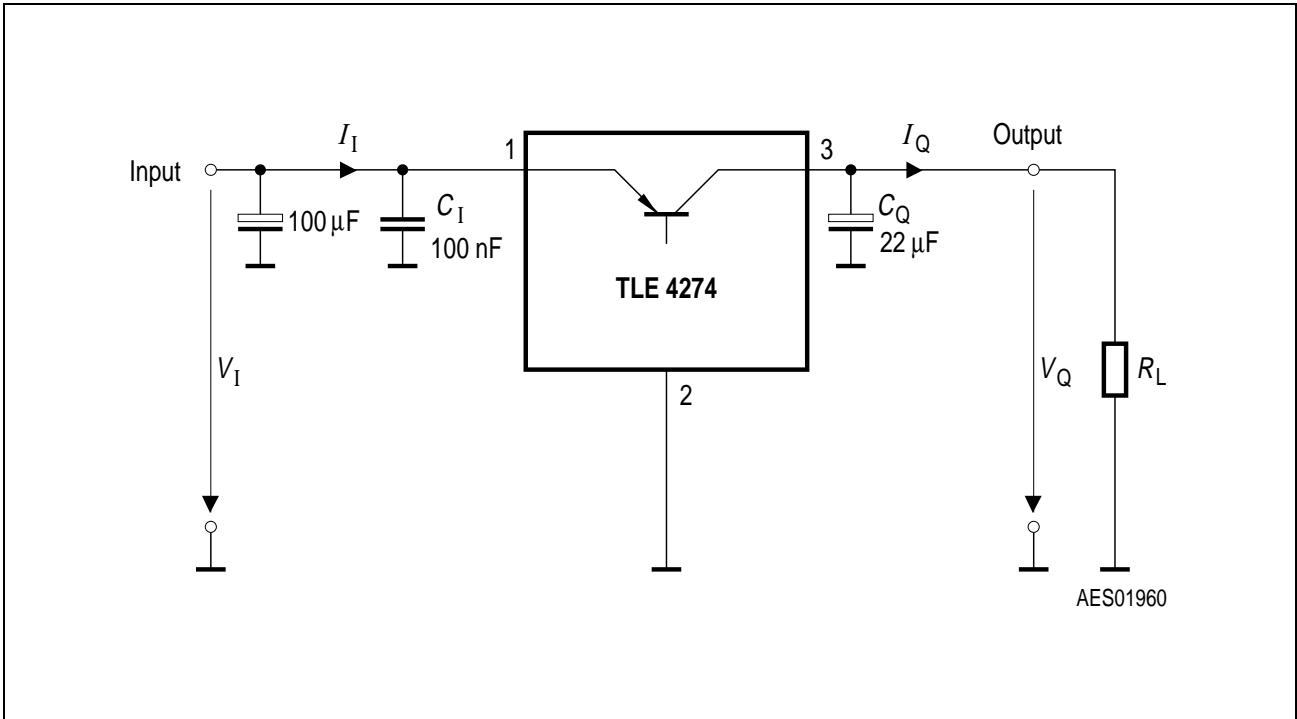


Figure 3
Measuring Circuit

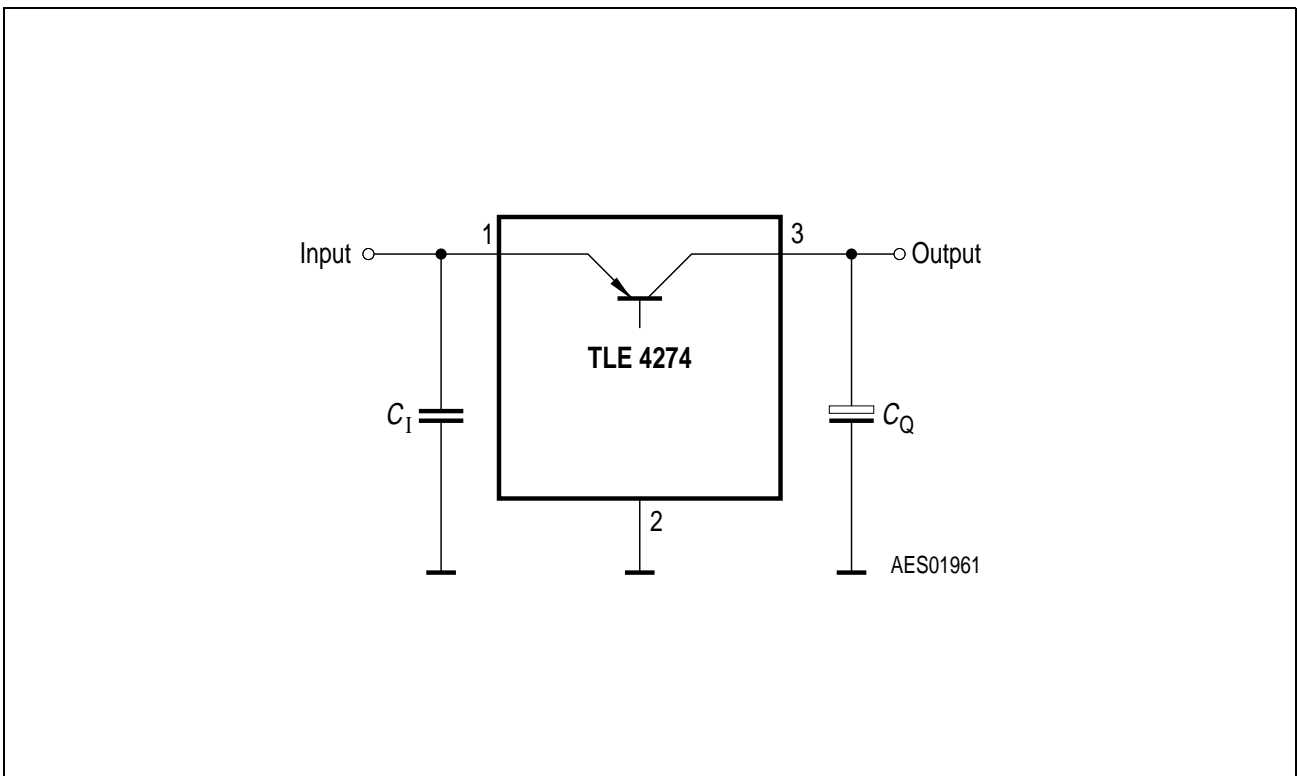
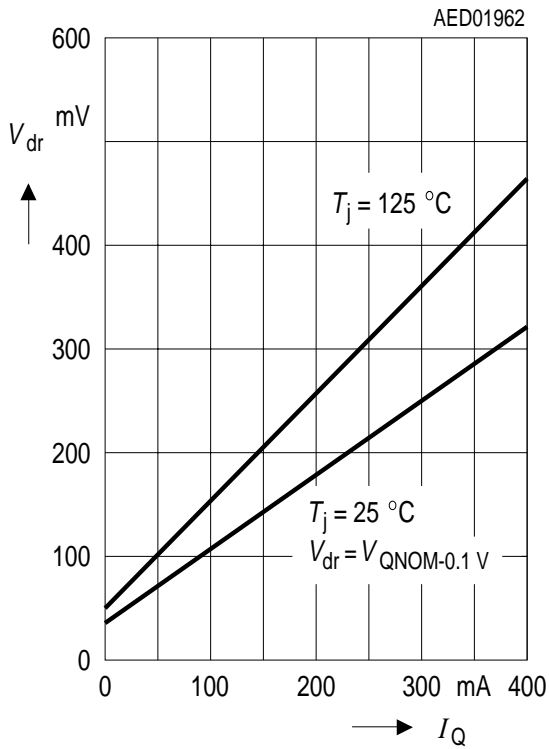


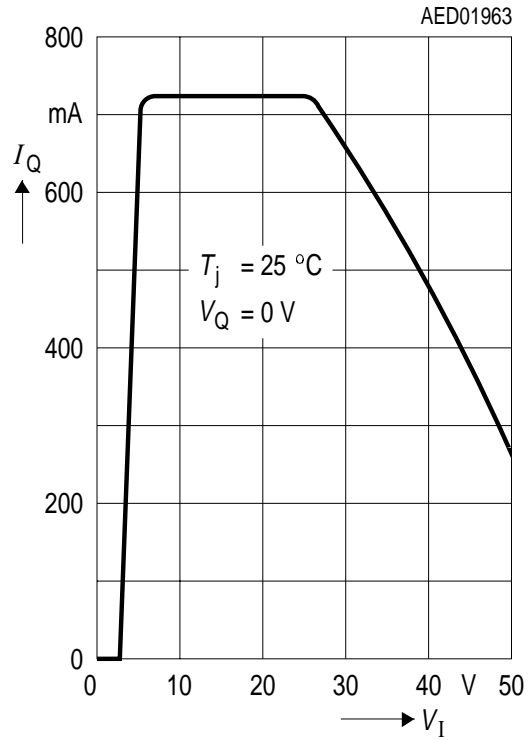
Figure 4
Application Circuit

Typical Performance Characteristics (V50, V85 and V10):

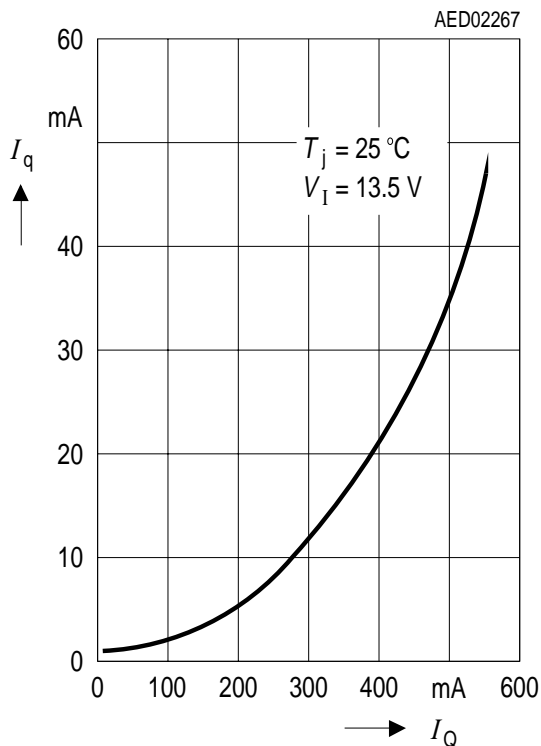
Drop Voltage V_{dr} versus Output Current I_Q



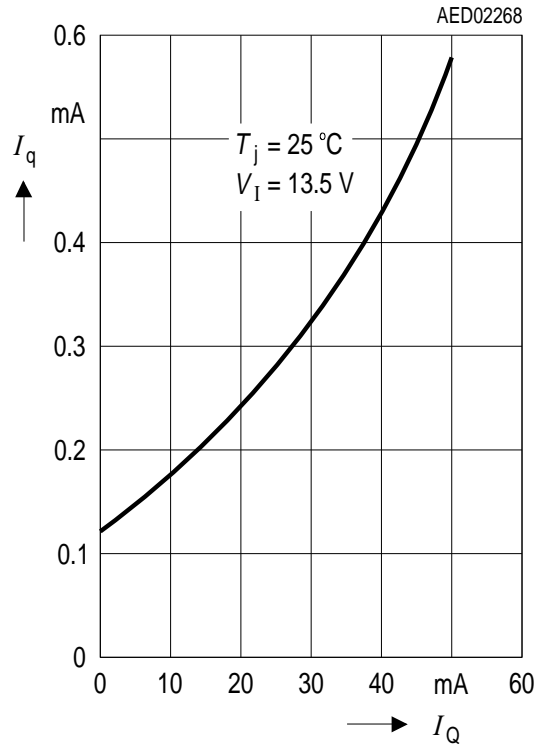
Output Current I_Q versus Input Voltage V_I



Current Consumption I_q versus Output Current I_Q (high load)

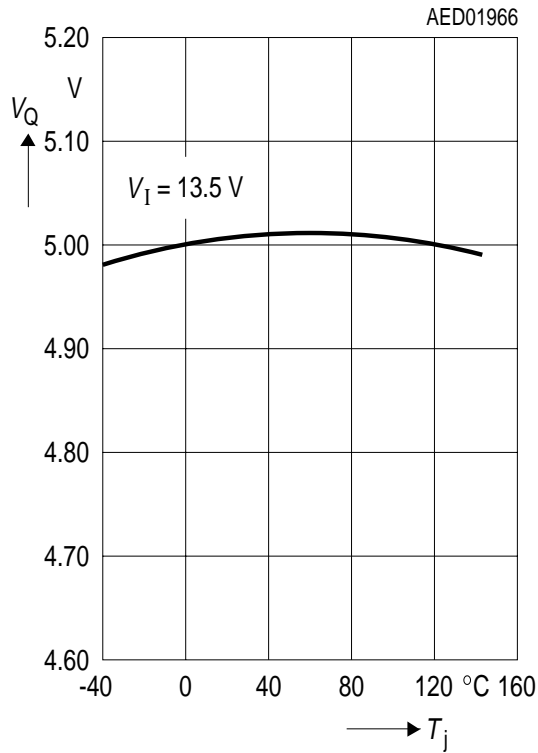


Current Consumption I_q versus Output Current I_Q (low load)

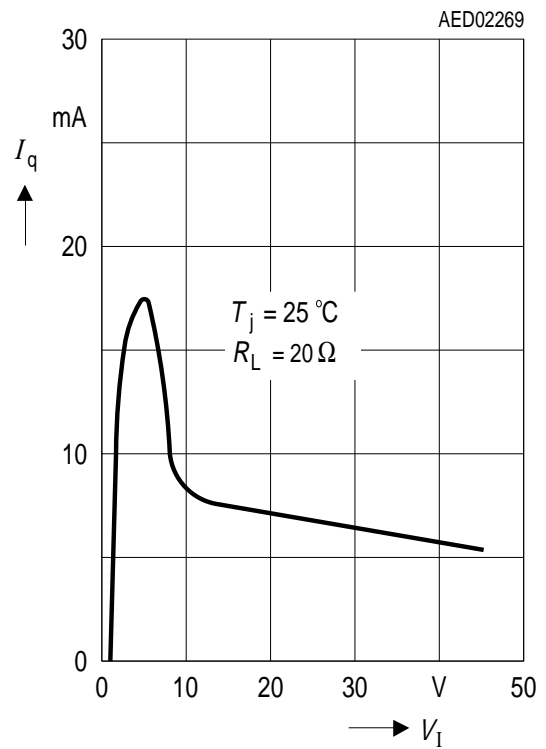


Typical Performance Characteristics (V50):

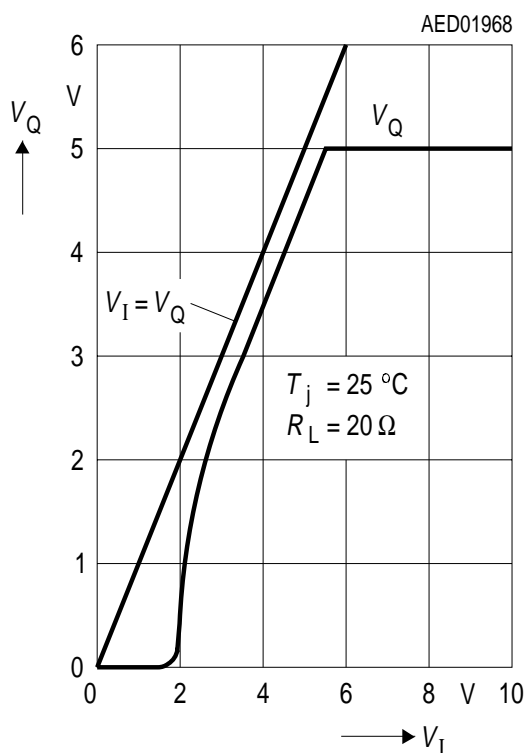
Output Voltage V_Q versus Junction Temperature T_j



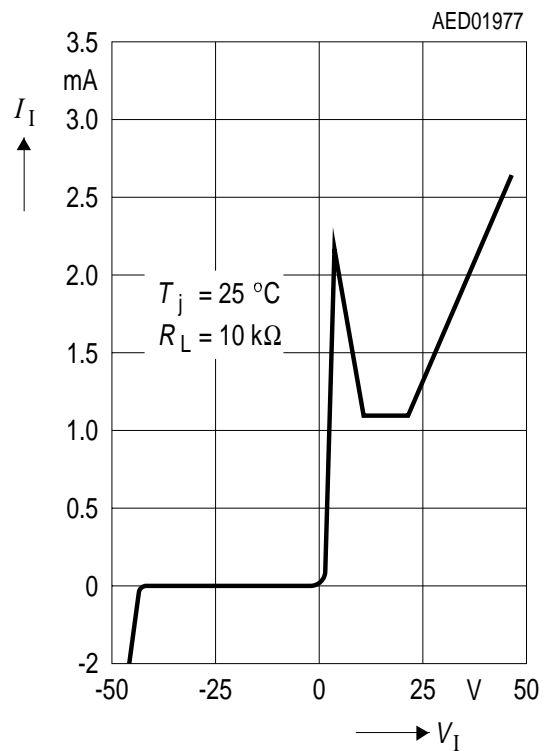
Current Consumption I_q versus Input Voltage V_I



Output Voltage V_Q versus Input Voltage V_I

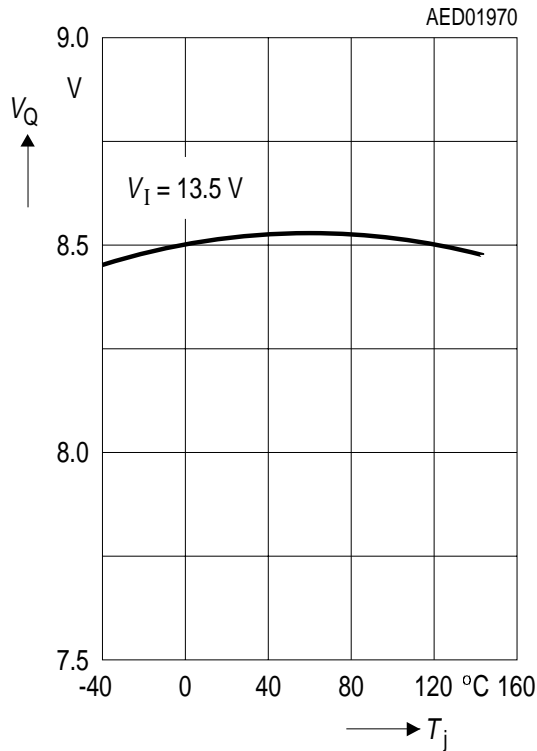


Input Current I_I versus Input Voltage V_I

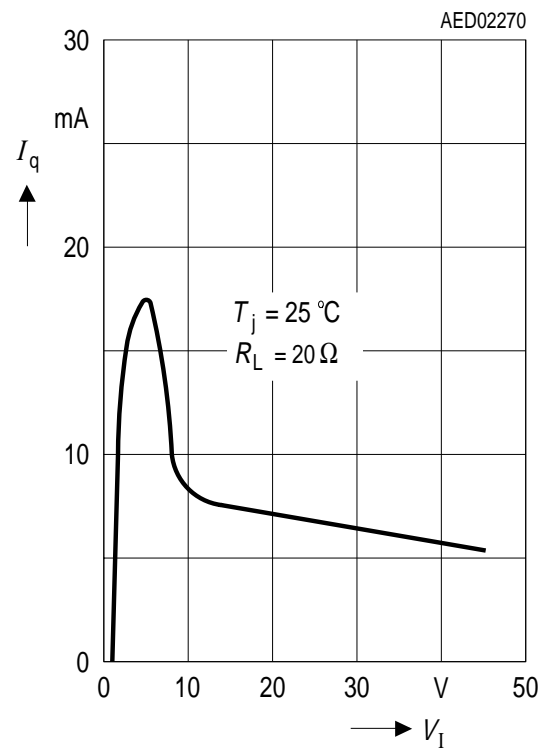


Typical Performance Characteristics for V85:

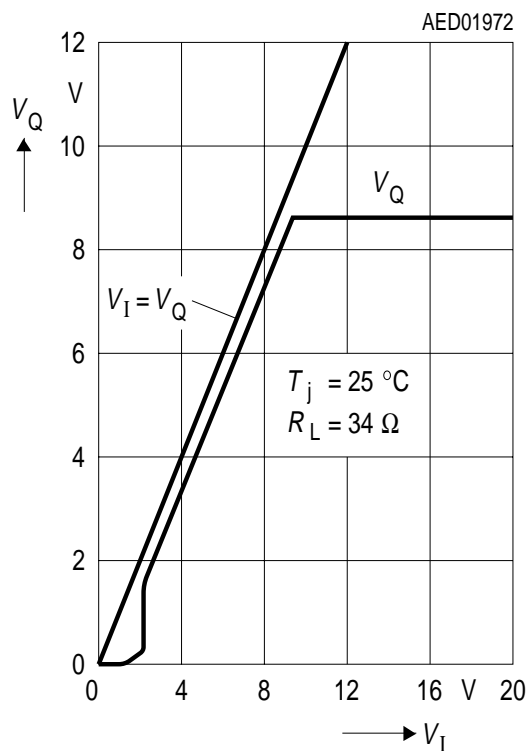
Output Voltage V_Q versus Junction Temperature T_j



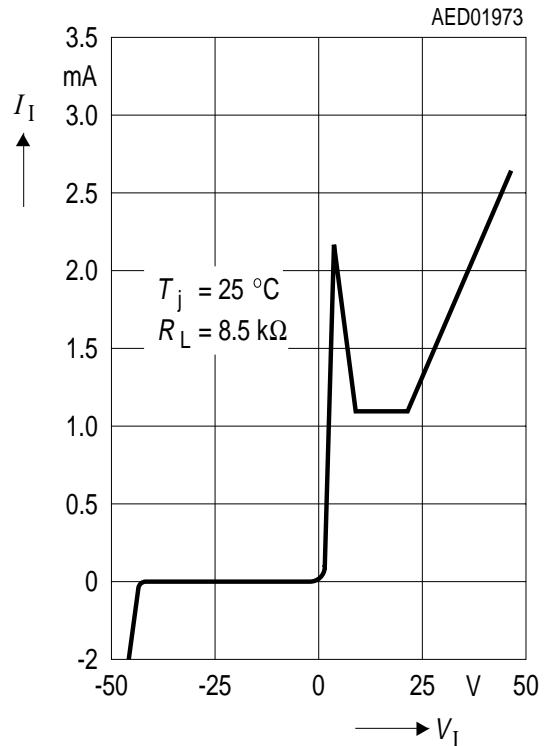
Current Consumption I_q versus Input Voltage V_I



Output Voltage V_Q versus Input Voltage V_I

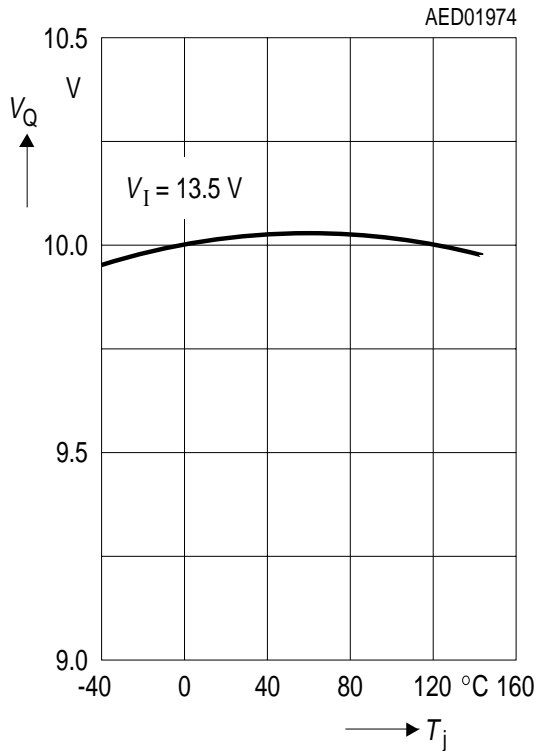


Input Current I_I versus Input Voltage V_I

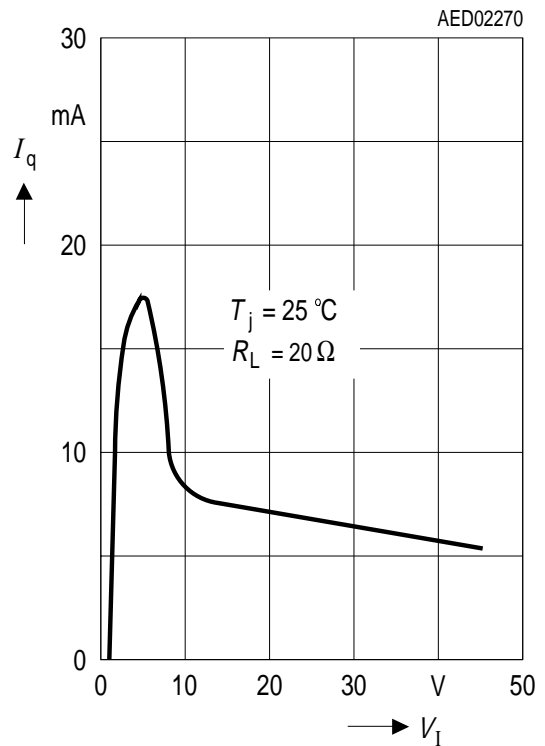


Typical Performance Characteristics for V10:

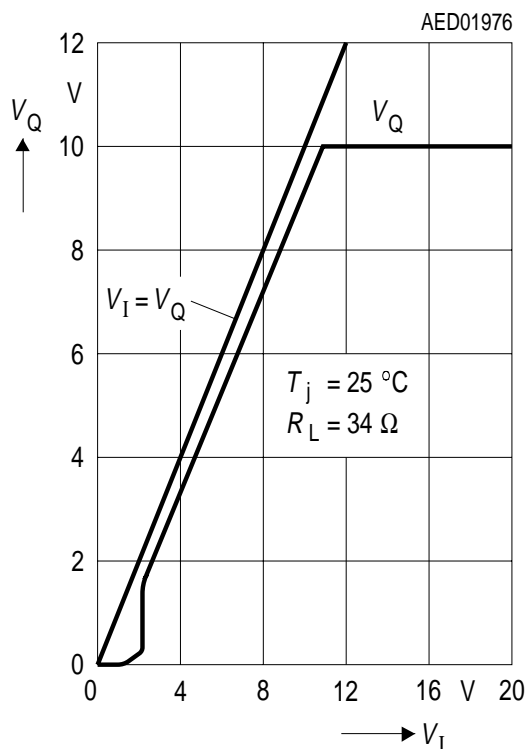
Output Voltage V_Q versus Junction Temperature T_j



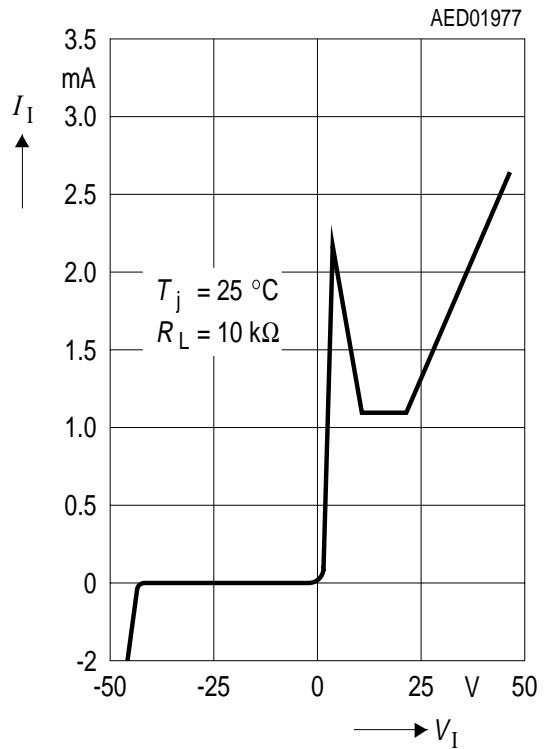
Current Consumption I_q versus Input Voltage V_I



Output Voltage V_Q versus Input Voltage V_I



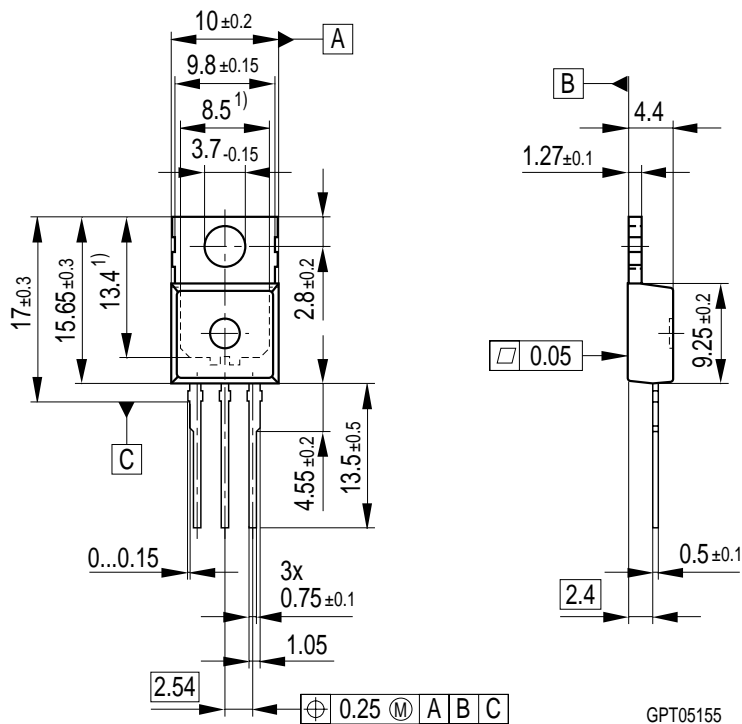
Input Current I_I versus Input Voltage V_I



Package Outlines

P-TO220-3-1

(Plastic Transistor Outline)



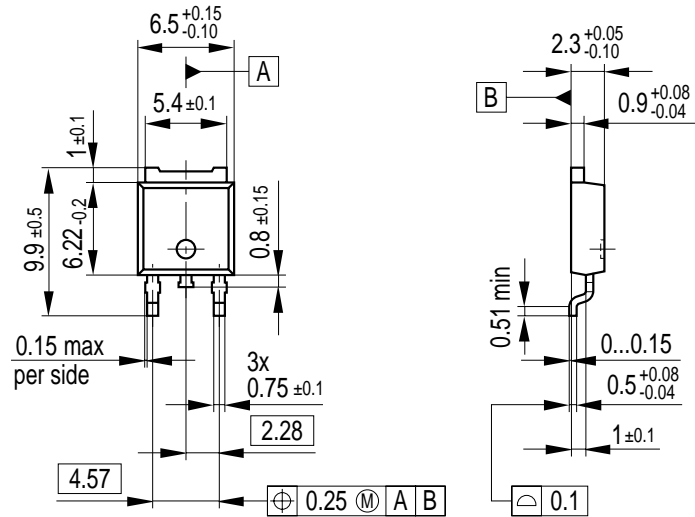
1) Typical
All metal surfaces tin plated, except area of cut.

Sorts of Packing

Package outlines for tubes, trays etc. are contained in our Data Book "Package Information"

Dimensions in mm

P-TO252-3-1
(Plastic Transistor Single Outline)



GPT09051

All metal surfaces tin plated, except area of cut.

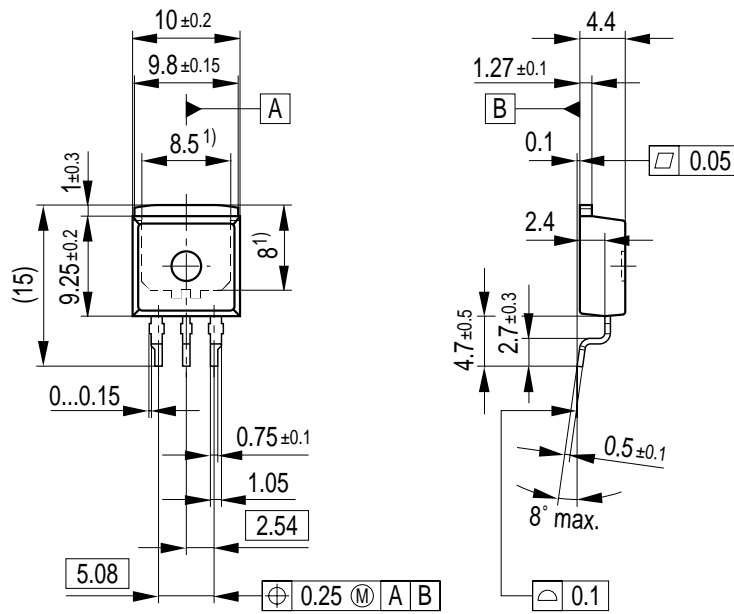
Sorts of Packing

Package outlines for tubes, trays etc. are contained in our Data Book "Package Information"

SMD = Surface Mounted Device

Dimensions in mm

P-TO263-3-1
(Plastic Transistor Single Outline)



1) Typical
All metal surfaces tin plated, except area of cut.

GPT09057

Sorts of Packing

Package outlines for tubes, trays etc. are contained in our Data Book "Package Information"

SMD = Surface Mounted Device

Dimensions in mm