

BRIEF DESCRIPTION

KS8630D is a Low power mixed signal CMOS integrated circuit for receiving a physical layer signals used in the Calling Line Identification Presentation (CLIP) of British Telecom system, the Calling Identity Delivery(CID) of Bellcore system, and similar evolving systems before the call is put through. It can also satisfy the requirements of CIDCW (Calling Identity Delivery on Call Waiting) services including very high precision detection of CAS (CPE Alerting Signal) tone and the signals used in similar services when the call has already been put through.

KS8630D carries out the following features : Ring or Line-reversal detection, CAS (2130Hz and 2750Hz) Tone detection, and 1200-baud FSK demodulation which simultaneously satisfies the BELL202 and the CCITT (ITU-T) V.23 specification. The demodulated data for Caller Identification is transmitted serially to the related u-controller.

KS8630D using a patented digital algorithm to detect demodulated FSK signals and CAS signal detection. The device also has a built-in Automatic Gain Control circuitry which is capable of very high precision detection of CAS tone. It is suitable for use in Adjunct Boxes or Feature Phones with CID / CIDCW applications.

FEATURES

- CID and CIDCW System Operation
- High Performance CAS Detection and Loop State Tone Alert signal detection
- Internal Automatic Gain Control circuitry for the high precision CAS detection
- Digital Logic FSK demodulator
- Ring or Line-polarity reversal detection
- Low power consumption in standby mode
- 3.58MHz crystal oscillator
- 3.3V ~ 5V Operation
- 16-SOP package (225Mil)

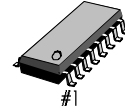
APPLICATIONS

- CID / CIDCW Adjunct Boxes and Feature Phones
- A system for British Telecom, Bellcore, CCA
- Computer Telephone Integrated system
- Call Logging Systems
- Voice-Mail Equipment

ORDERING INFORMATION

Device	Package	Operating Temperature
KS8630	16-SOP-225	0°C ~ 70°C

16-SOP-225



BLOCK DIAGRAM

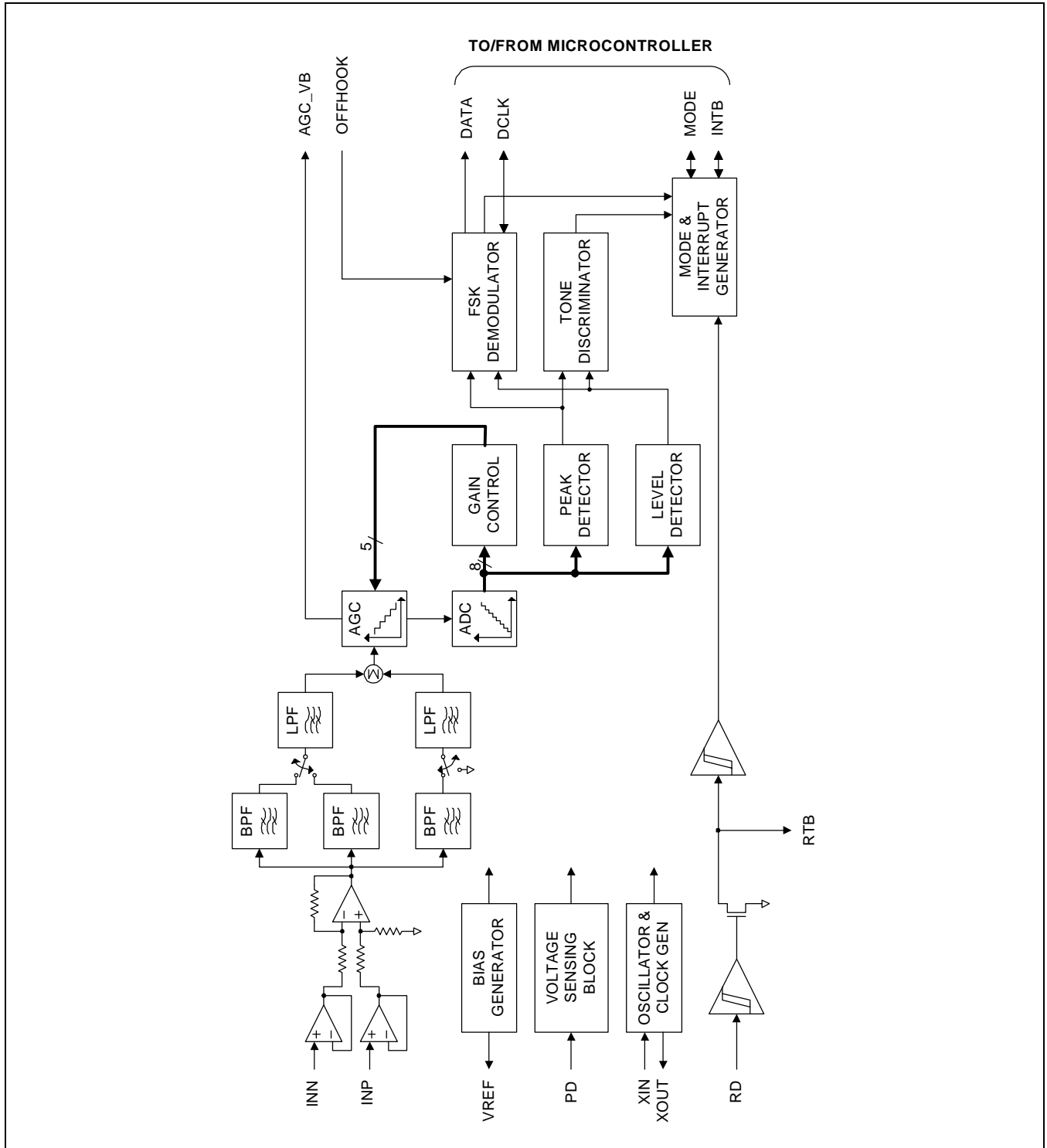


Figure 1. KS8630D Block Diagram

PIN DIAGRAM

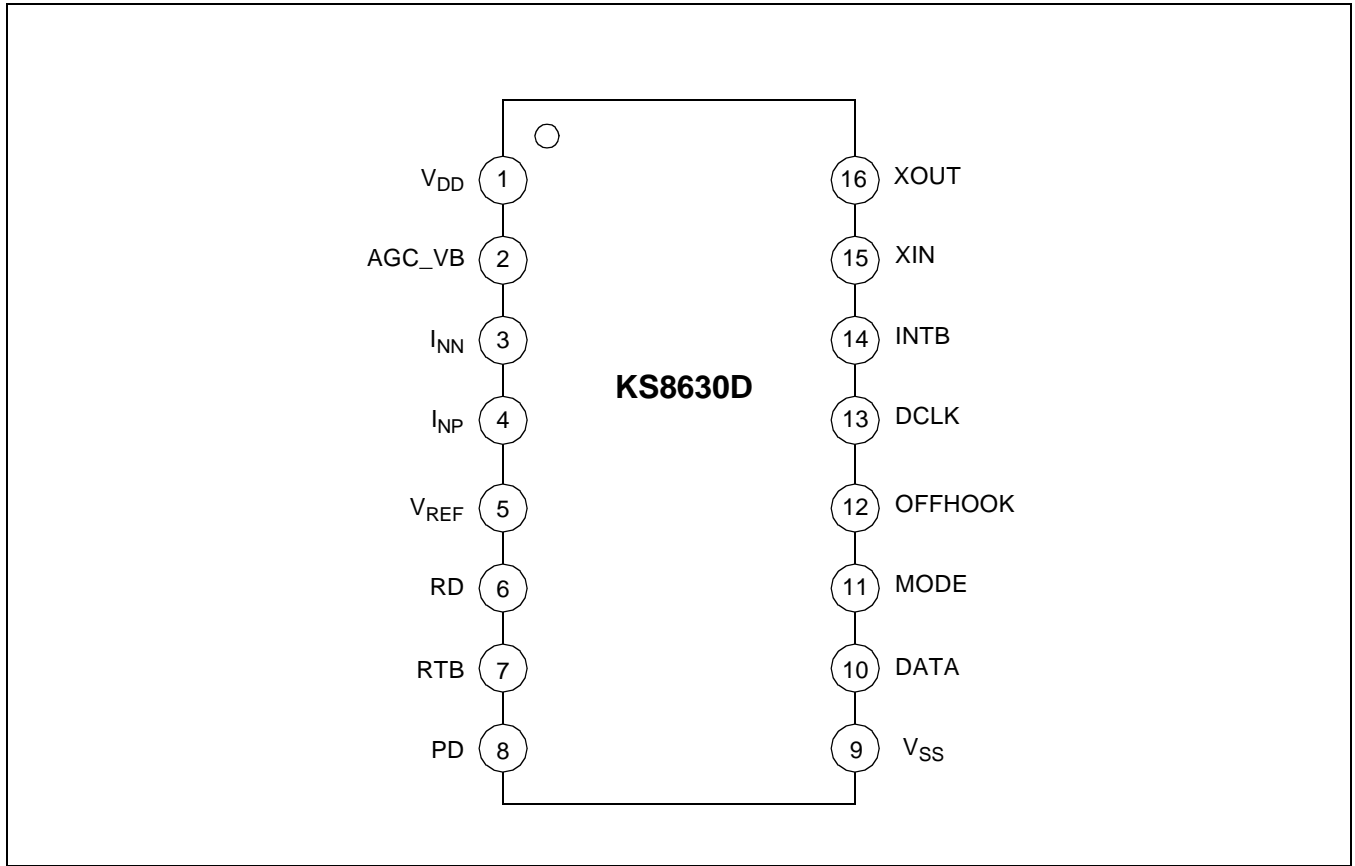


Figure 2. KS8630D Pin Diagram

PIN DESCRIPTION

Pin No.	Pin Name	Type	Description
1	V _{DD}	P	Positive Power Supply.
2	AGC_VB	O	AGC block bias terminal. Usually a 0.47uF capacitor is connected between this pin and V _{REF} pin to reduce a dc offset produced by internal circuitry.
3	I _{NN}	I	Inverting input of the on-chip input signal amplifier.
4	I _{NP}	I	Non-inverting input of the on-chip input signal amplifier.
5	V _{REF}	O	Reference Voltage. Typically 0.1 ~ 1uF is connected to GND.
6	RD	I(S)	Schmitt trigger input to detect the ringing signal, ring-burst signal, Line-polarity reversal signal.
7	RTB	I(S)/O	Open drain output/Schmitt trigger input. An external resistor to V _{DD} and a capacitor to V _{SS} should be connected with RTB to filter and to extend the RD input signal. Each components value is related to the schmitt trigger input threshold and input signal frequency.
8	PD	I(S)	Power Down. Schmitt trigger & voltage sensing input. If set to high level, all circuitry goes to power down mode except ring detection & mode selection block. In order to satisfy the BT or Bellcore specification, it is recommended to add a different application circuits. All digital block can be resetted by this pin control. Whenever the u-controller unmutes handset and enables keypad in Off-Hook state, KS8630D must receive a reset pulse by this pin from microcontroller.
9	V _{SS}	P	Negative Power Supply.
10	DATA	B	Demodulated FSK data output. Default state is a logic high level. DATA is transmitted serially to the microcontroller (8bit /unit, LSB first). DCLK is used for sync clock of this DATA. In case of using this pin as input, it is used for testing of KS8630D functionality.
11	MODE	B	Mode output signal to show the current status (Ring / Dual Tone / FSK signal receiving). Default state is a logic high level. If detects a CAS tone, this MODE pin will be set to logic low level during a pre-determined timing. If detects a Ring or FSK signal, this pin will be set to high level. With the INTB pin, it can be informed current status to microcontroller. In case of using this pin as input, it is used for testing of KS8630D functionality.
12	OFFHOOK	I	Hook Status Input. If set to high level, the operation condition of KS8630D go to the Off-Hook state. If set to low level, it goes to the On-Hook state.
13	DCLK	B	Synchronous clock output of DATA. Default state is logic high level. The right data is in falling edge of this clock. In case of using this pin as input, it is used for testing of KS8630D functionality

PIN DESCRIPTION (Continued)

Pin No.	Pin Name	Type	Description
14	INTB	O	Interrupt output signal. It is an active low output that may be used as an Interrupt Request / Wake-up signal to the microcontroller. In case of ringing or line polarity reversal detection, dual tone detection and the mark signal detection of FSK data, it will be activated. With the MODE pin, it indicates current status to the microcontroller.
15	XIN	I	The input of the 3.58MHz on-chip crystal oscillator inverter.
16	XOUT	O	The output to the 3.58MHz on-chip crystal oscillator inverter.

NOTES:

I = Input

I(S) = Schmitt trigger Input

O = Output

B = Bidirectional I/O

TYPICAL APPLICATION CIRCUIT

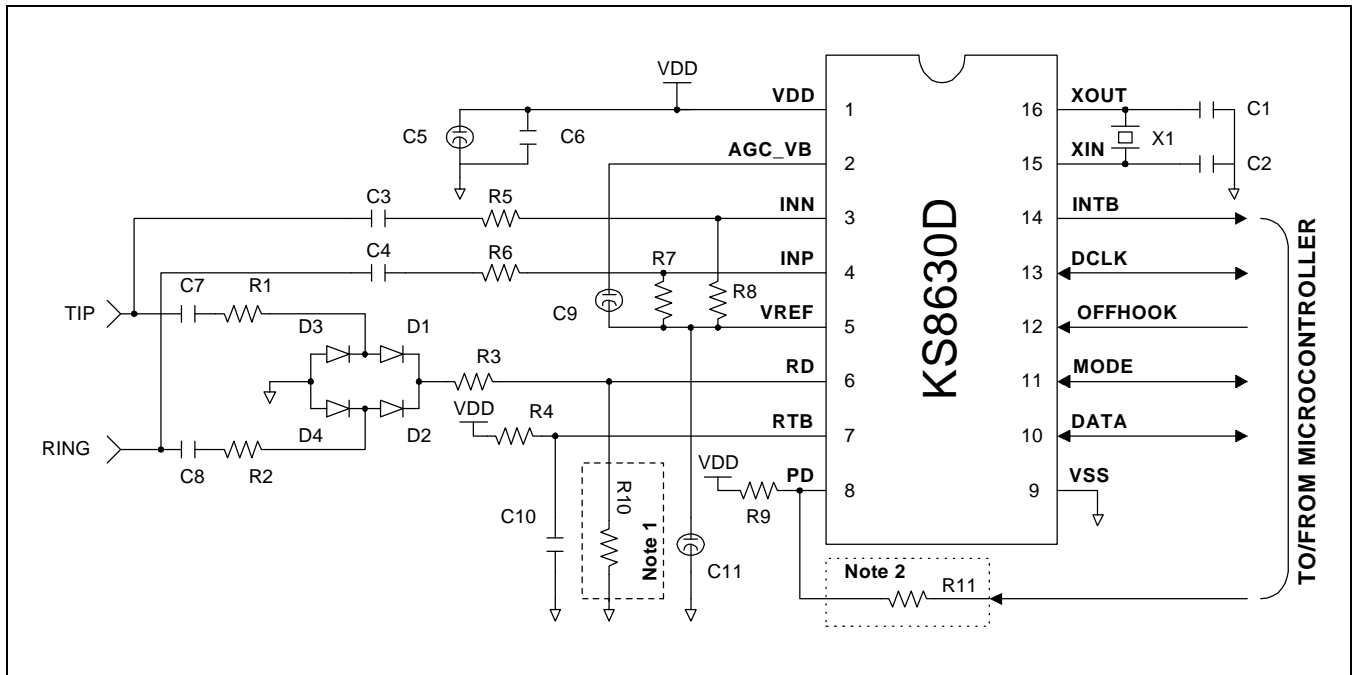


Figure 3. Recommended Typical Application Circuit Components

R1, R2, R3	470kΩ	C1, C2	10pF
R4	150kΩ	C3, C4	22nF
R5, R6, R7, R8	100kΩ	C5	10μF
R9	82kΩ	C6, C7, C8	100nF
R10	56kΩ	C9	0.47μF
	(Note 1)	C10	220nF
R11	47kΩ	C11	0.1μF
	(Note 2.)		
X1	3.579545MHz		
D1, D2, D3, D4	1N4004		

NOTES:

1. When applying to the BT system, change R10 to 330kΩ to detect the Line Reversal signal.
2. When applying to the BT system, insert a resistance between the MCUs PD related pin and KS8630D PD pin (Refer to Section 1.6).

GENERAL DESCRIPTION

KS8630D is suitable for use in both system to British Telecom specifications and BELLCORE specifications. KS8630D to be used in different systems, the predetermined signals must be applied to the PD (pin#8) and the OFFHOOK (pin#12), which are defined by the application circuits or the microcontroller.

All detection modes related to the PD pin and the OFFHOOK pin are listed below:

PD	OFFHOOK	DETECTION MODE (Note1)	REMARK
L	L	FSK Demodulation	BELLCORE SYSTEM (Note2)
L	H	Dual Tone Detection → FSK Demodulation	
$1/3 * V_{DD}$	L	Dual Tone Detection → FSK Demodulation	BT SYSTEM (Note3)
$1/3 * V_{DD}$	H	Dual Tone Detection → FSK Demodulation	
H	L	Ringing or Line reversal Detection	
H	H	–	

Table 1. A Status of each detection mode

NOTES:

1. If a false reponse (talk-off) occurs or microcontroller receives FSK data, microcontroller should send low edge pulse (with 10us duration timing approximately) to the PD pin.
Then, KS8630D will be re-initialized to the dual tone(CAS) detection mode.
2. If KS8630D is used in the BELLCORE system, a pull-up resistor should be inserted between the PD pin and V_{DD} .
3. If KS8630D is used in the BT system, a pull-up resistor should be inserted between the PD pin and V_{DD} .
In this case, a resistor should be inserted between KS8630D's PD pin and microcontroller's PD related pin.
Then, the voltage level of KS8630D's PD pin will be $1/3 * V_{DD}$ when microcontroller's PD related pin set to low state.

FUNCTIONAL DESCRIPTION

Ring or Line Reversal Detector

It can be detected the Ringing signal or the Line polarity reversal signal as in the CLIP, CID, and CDS protocols.

The signals between Tip and Ring block pass through the bridge circuitry and the rectified signal is input to the RD (pin #6). If the rectified signal is larger than the internal threshold V_{TH} , the RTB block stays in the low level while the signal is maintained by the external resistor and capacitor. For the Line polarity reversal detection, the logic low level section within RTB block is also decided by the external resistor and capacitor value.

When a Ringing or a Line polarity reversal signal is detected, an active low pulse is outputted by the interrupt generator to the INTB (pin#14).

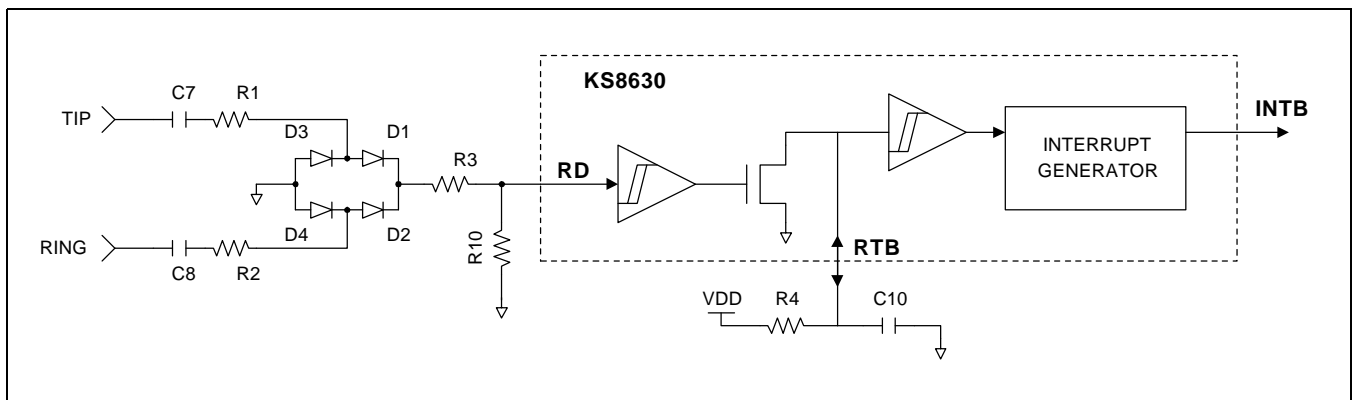


Figure 4. Ring or Line Reversal Detector

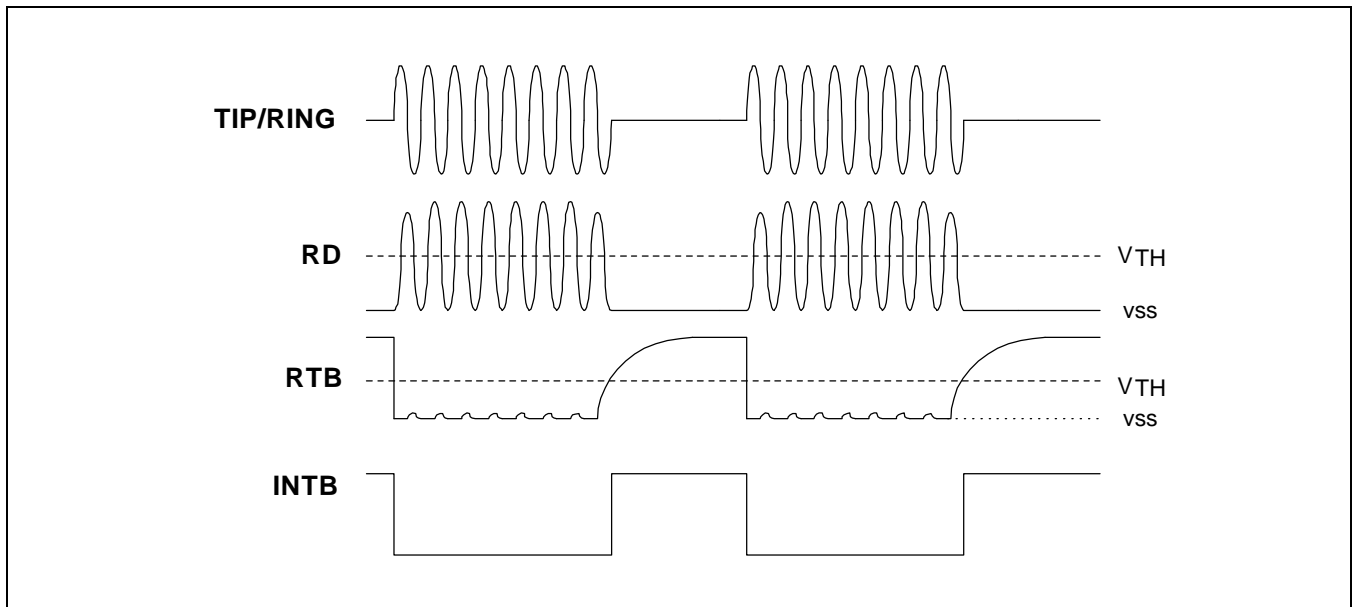


Figure 5. Signals of Ring Detection

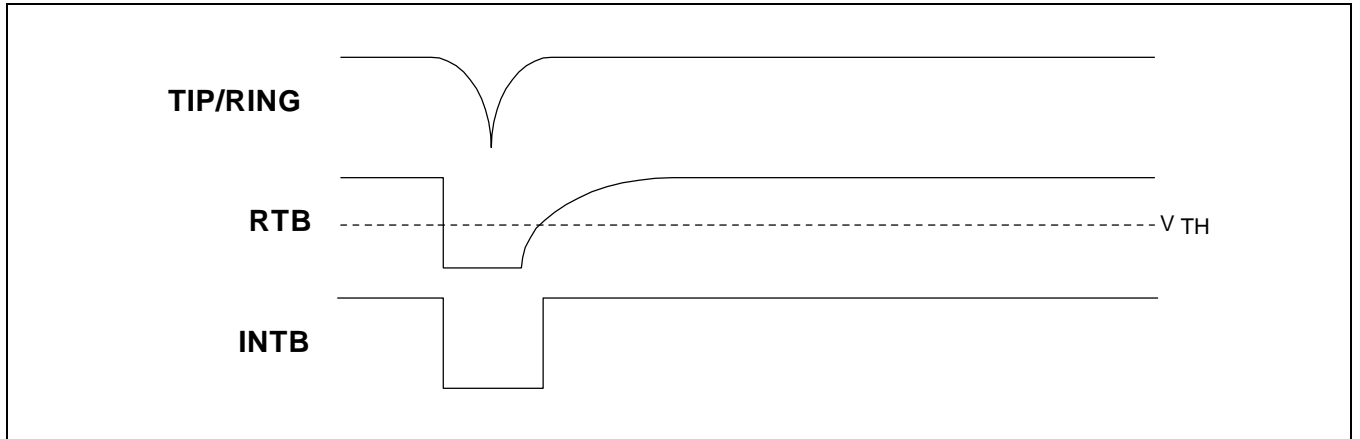


Figure 6. Signals of Line Reversal Detection

Input Signal Amplifier

KS8630D can adjust the input signals appearing at the TIP/RING block in application, so that they are included within the range that can be handled with the block. The internal Amp. configuration of KS8630D is a subtract structure, and it was recommend that the signal input in the differential mode to the chip is reduced by half level compared to the signal in the TIP/RING block.

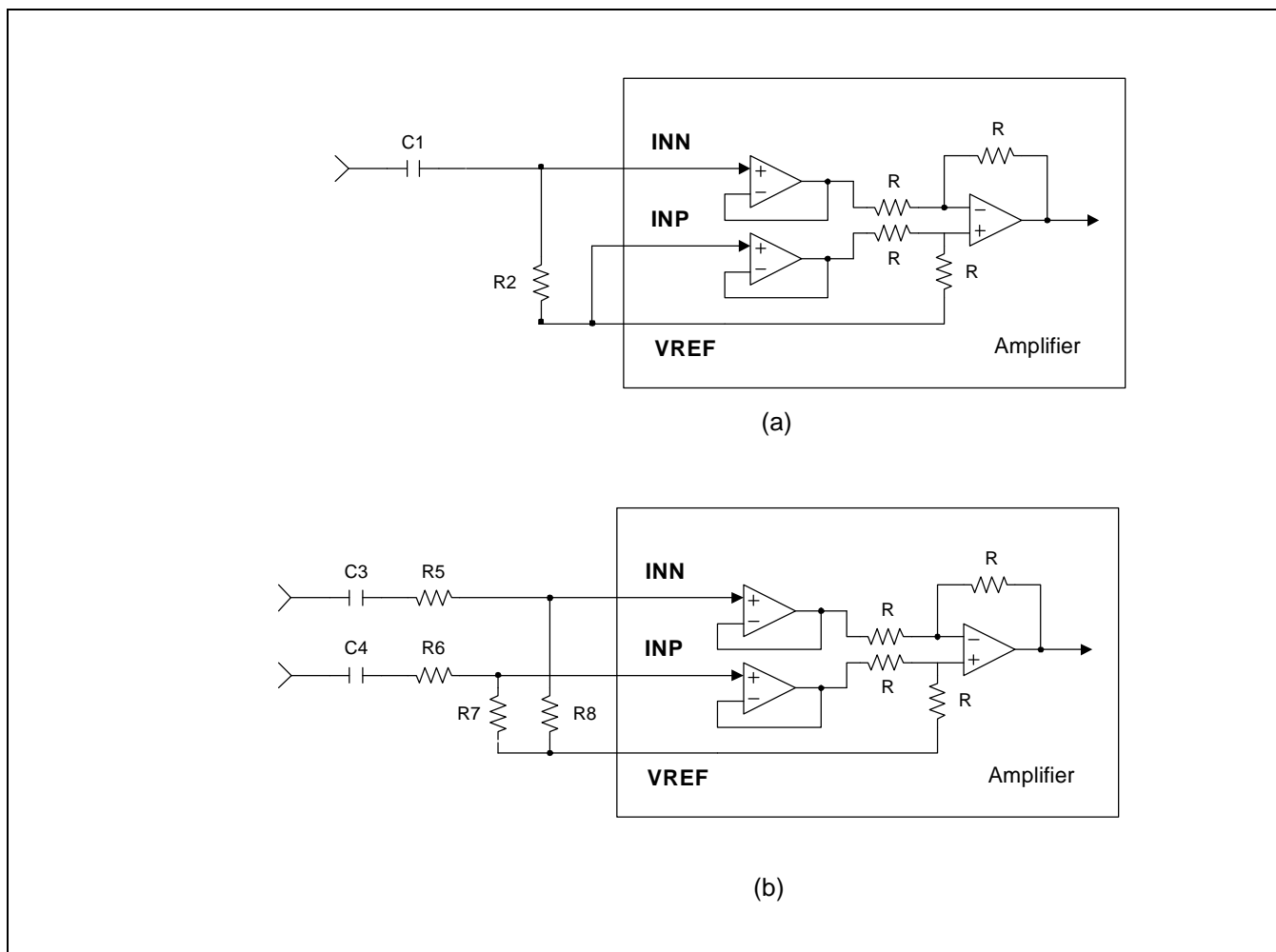


Figure 7. Input Signal Amplifier. (a) single-ended (b) differential-ended

Filtering Block

The outband noise of input signal which interfered by transmission line or Near-end speech is eliminated by the filtering block. The filtering block includes the SCF-configured Dual Tone BPF, FSK BPF, and LPF for filtering the SCF clock-generated noise. The dual tone BPF is a narrowband 4th filter which composed of biquads. The quality factor of dual tone filter is between 20 and 25 approximately. The low tone filter and high tone filter are composed of same core, and the cutoff frequency can be changed according to the switching clock (CLK1, CLK2). The FSK BPF is a wideband 4th filter, and the Dual Tone BPF and FSK BPF can be selected according to the detection mode in KS8630D .

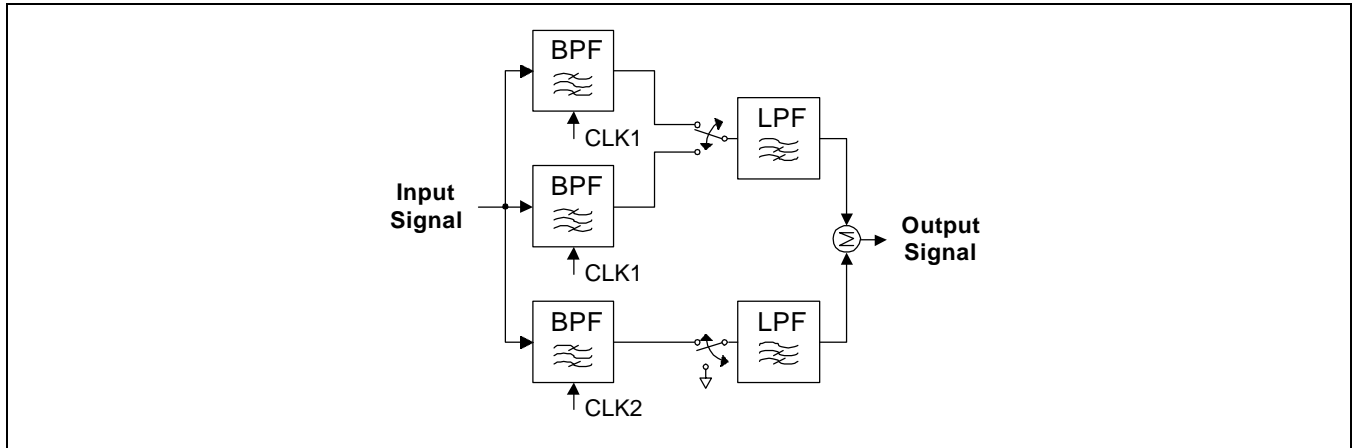


Figure 8. Filtering Block

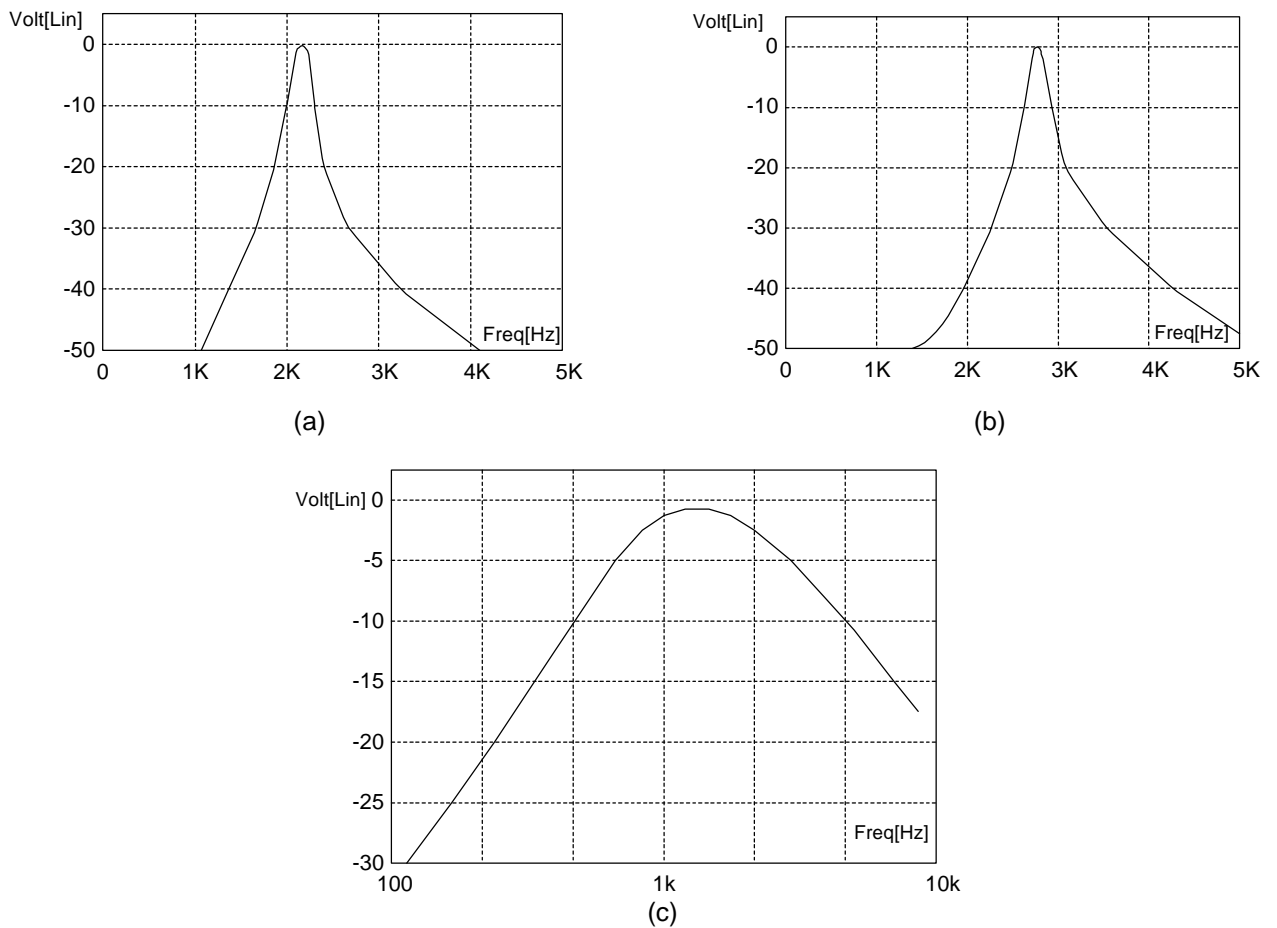


Figure 9. BPF Characteristics
(a) low tone filter (b) high tone filter (c) FSK filter

Automatic Gain Control

This block controls the AGC amplifier gain using the ADC output signal, so that the CAS detection and the FSK demodulation block can be operated within an adequate dynamic range, and the ADC output can have enough resolution. Connect a "Coff" between AGC_VB and V_{REF} to eliminate the amplification of DC offset.

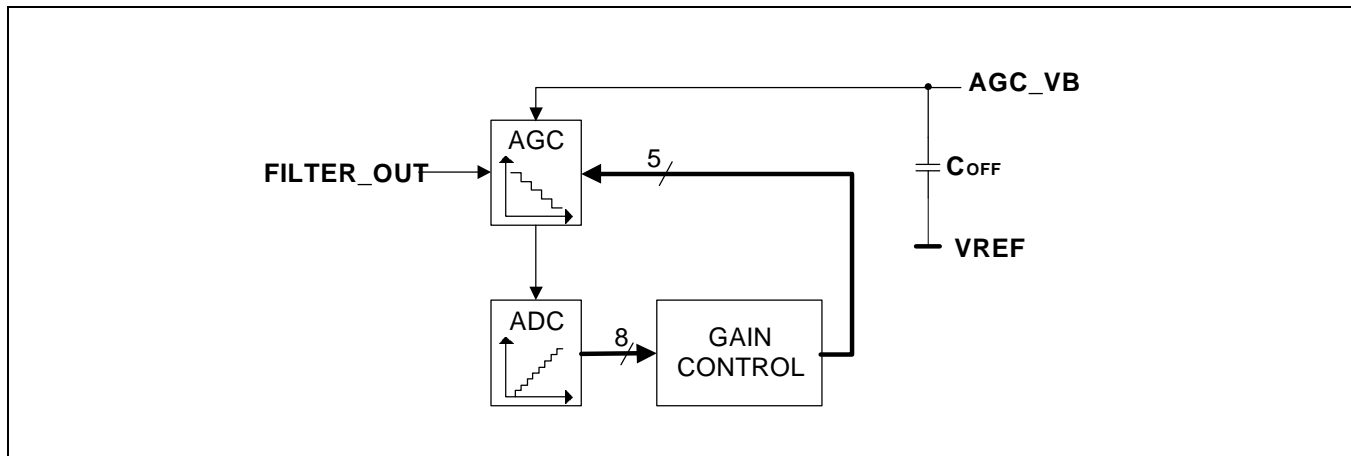


Figure 10. Automatic Gain Control Block

The range of input signals for AGC operation is about 35dB, and the gain of the input signal has an hysteresis characteristics. If a signal which is larger than 7/8 of the ADC input dynamic range is input into the ADC, the gain is immediately decreased. If a signal which is smaller than 1/4 of the ADC input dynamic range is continuously input for more than a set amount of the time (about 2ms), the gain is immediately increased.

The ADC input dynamic range is about 2V.

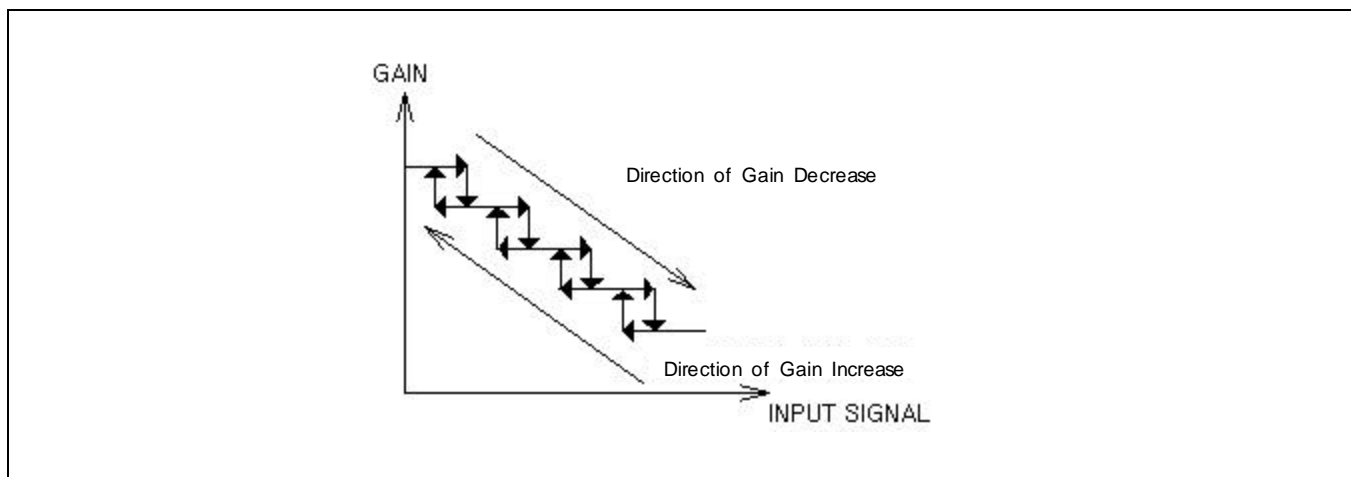


Figure 11. Figure 9. Input Signal vs. Gain

Dual Tone Alerting Signal Detection (CAS signal detection)

The 2130Hz and 2750Hz components that are output from each BPF are synthesized, converted into AM waveform, and used as the analog input to the 8-bit ADC. The synthesized analog signal is converted into digital data through the ADC and in the given sampling rate. Use this data to find the highest peak (MXB) of the 2440Hz component (frequency sum). Also, use this MXB to find the highest peak (PK) and lowest peak (BMN) of the 620Hz component (frequency difference).

$$\text{Carrier Signal} : (2750 + 2130) / 2 = 2440\text{Hz} \quad \rightarrow \text{Frequency Sum}$$

$$\text{Envelope Signal} : (2750 - 2130) / 2 = 310\text{Hz} \quad \rightarrow \text{Frequency Difference}$$

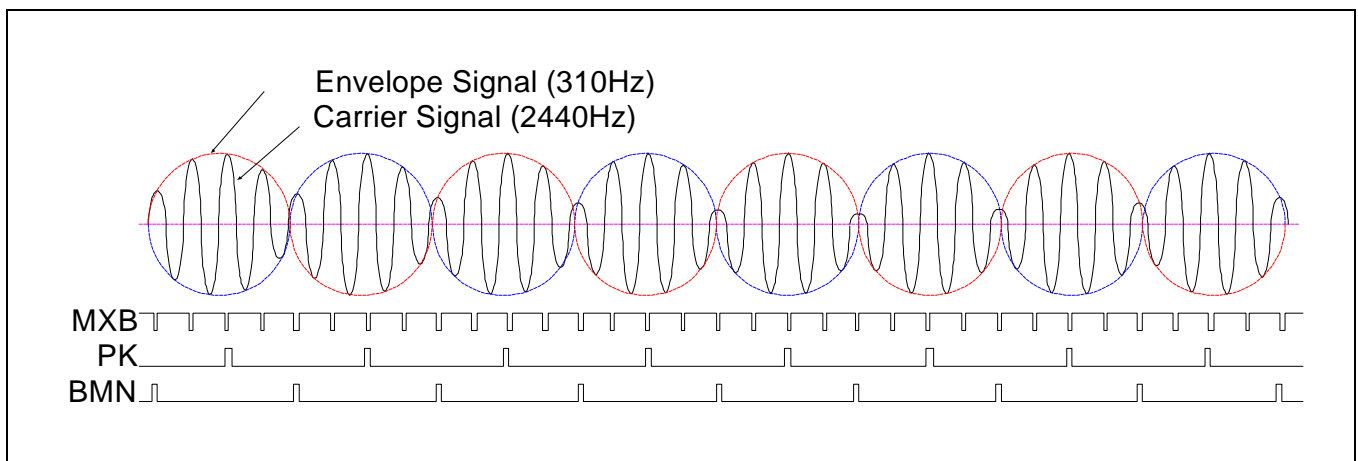


Figure 12. ADC input signal waveform and calculated peak position

The PK error correction algorithm was applied in KS8630D to reduce the pseudo PK signal generation (from Voice Noise) as much as possible. PK signals occur in a 620Hz period as shown in FIG 12. Since the PK occurs regularly for a CAS signal, you can eliminate the pseudo PK using this characteristic. The corrected PK is used to carry out the CAS detection algorithm.

First comes the CAS_SEEK block operation that checks whether there is CAS within the channel. This block uses the fact that MXB and PK signals occur within a specific range when CAS is being transmitted. After the CAS signal has started the transmission, the gain control is carried out. While the ADC input is maintained at a specific gain, it takes about 5ms to generate a CASIS signal.

The CAS detection algorithm is carried out immediately when CASIS becomes high. It takes about 58ms after CASIS becomes high to detect any CAS.

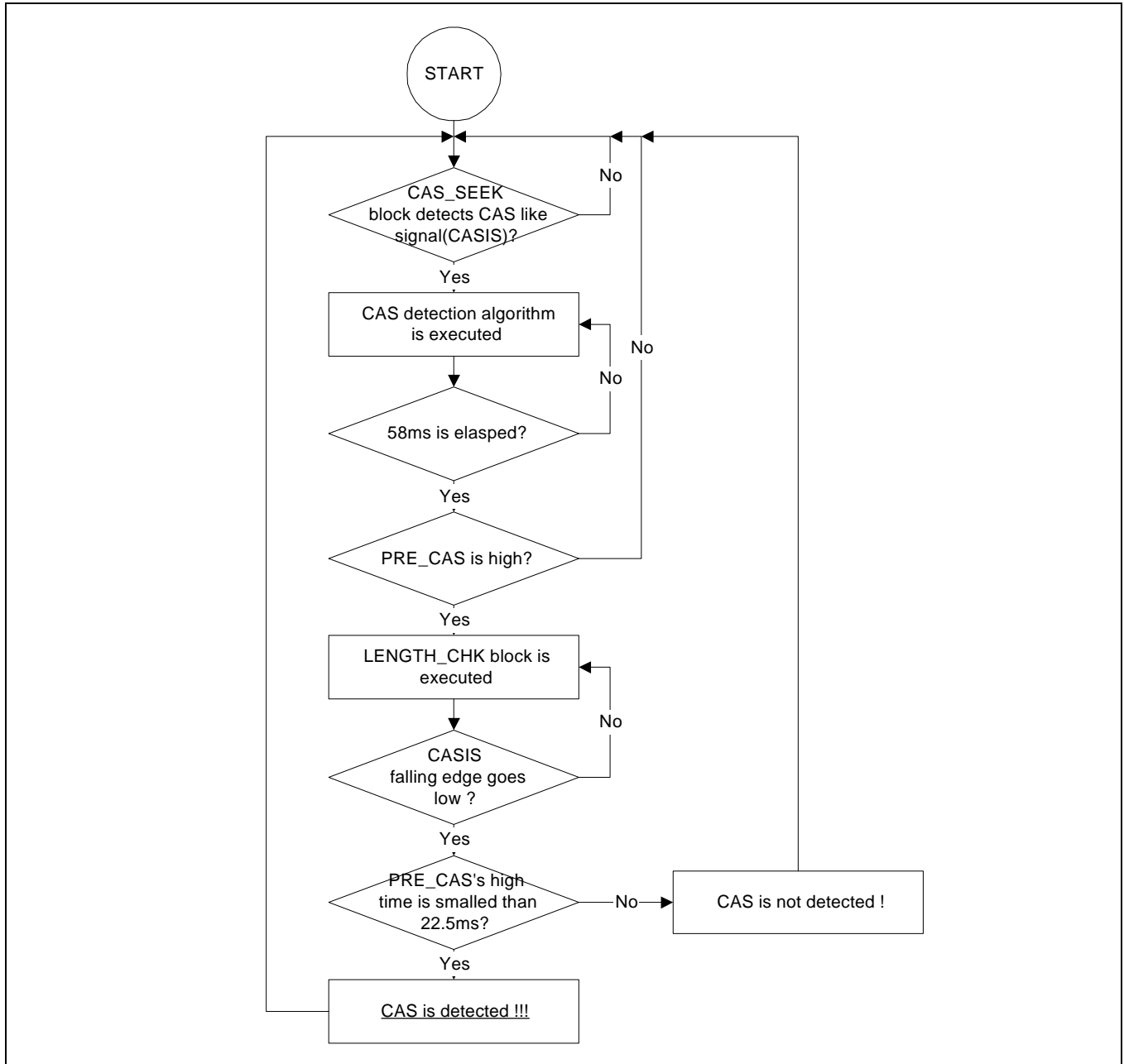


Figure 13. Dual Tone Alerting Signal(CAS) detection flowchart

1. Find the average value of the PK generation period from the envelope component, and check if it enters into a specific margin.
2. Use AM waveform characteristics to check if the difference in the BMN level near PK exceeds specific conditions.
3. Check if each PK's interval is within specific conditions.

About 58ms after the CASIS becomes high, check whether all the above conditions are fulfilled, and if they are, generate the PRE_CAS signal which signifies that there is CAS. If the PRE_CAS set to high as shown in FIG. 13, the LENGTH_CHK block starts its operations. The pseudo CAS is rejected by using the fact that CAS's off-hook transmission is between 75ms ~ 85ms. If the PRE_CAS's high duration is less than 22.5ms, CAS detection will be carried out successfully.

KS8630D's CAS detection uses the method of checking the sine wave's characteristics while the ADC input gain is regularly maintained, or uses the fact that the CAS signal's transmission duration is always the same. Even when CASIS becomes high, if the gain changes or it becomes known that it isn't a different CAS, KS8630D comes out of the CAS detection algorithm at once to prevent talk-off counting. Also, to prevent talk-down, we use an error correction algorithm that restores the sine wave's characteristics that have been distorted by Voice Noise, as much as possible.

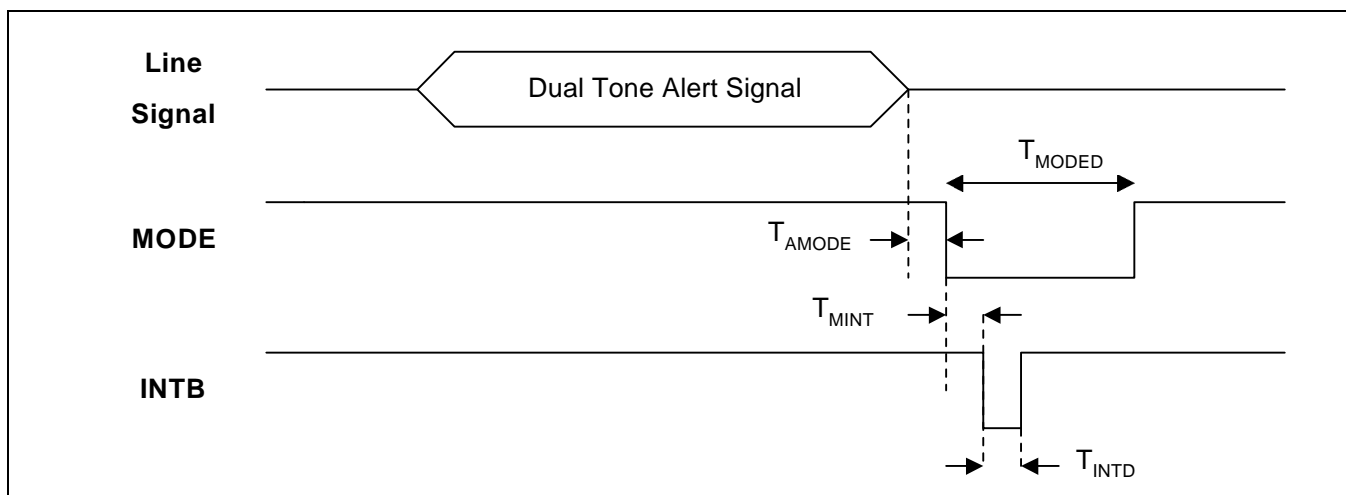


Figure 14. Dual Tone Alerting Signal(CAS) detection timing

If CAS is detected after the CAS signal has started transmission and the algorithm of FIG 13. are all executed, it should alert to the MCU using the MODE output and the INTB output. FIG 14. shows the timing of MODE and INTB operation. After detecting that the CAS transmission is over, MODE after T_{AMODE} is enabled to low, and the INTB is sent to the MCU After this, the MCU expects FSK data from KS8630D and waits for it.

FSK Demodulation

KS8630D uses own digital FSK demodulation algorithm. The analog signal that has passed through the BPF which has frequency band of FSK signal goes through the ADC and it is digitally converted in the specified sampling rate. Same as the Dual Tone Alerting signal detection, the signal's highest peak detecting algorithm is applied for finding each frequency components' peak. The interval information of the peaks are used to decide if the FSK data being transmitted is mark bit("1") or space bit("0").

Although the Bellcore standards and BT's FSK signal components are different, KS8630D raised circuit efficiency by using an FSK demodulation algorithm that satisfies both standards in the same circuit.

When a Mark signal (normally, a continuous mark bit("1") of minimum 58bits is transmitted) is found in the FSK data being transmitted, the INTB signal is sent to MCU to tell it that the FSK data transmission will soon occur. When the mark signal ends and caller information is sent starting at the start bit, it is sent to MCU through the DATA, DCLK output.

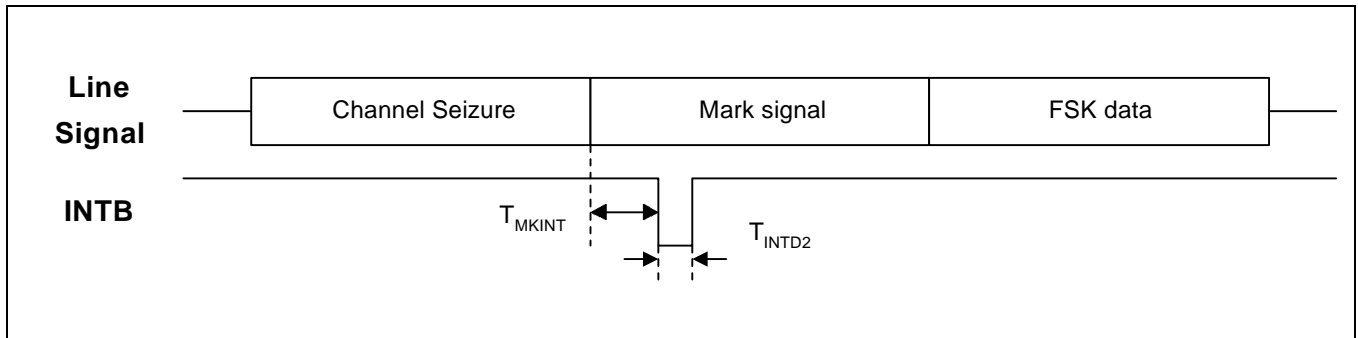


Figure 15. FSK demodulator operation timing (on-hook)

DATA Retiming

KS8630D uses two pins to send FSK data to MCU.

DATA sends the demodulated FSK data, and DCLK transmits the clock synchronous to DATA.

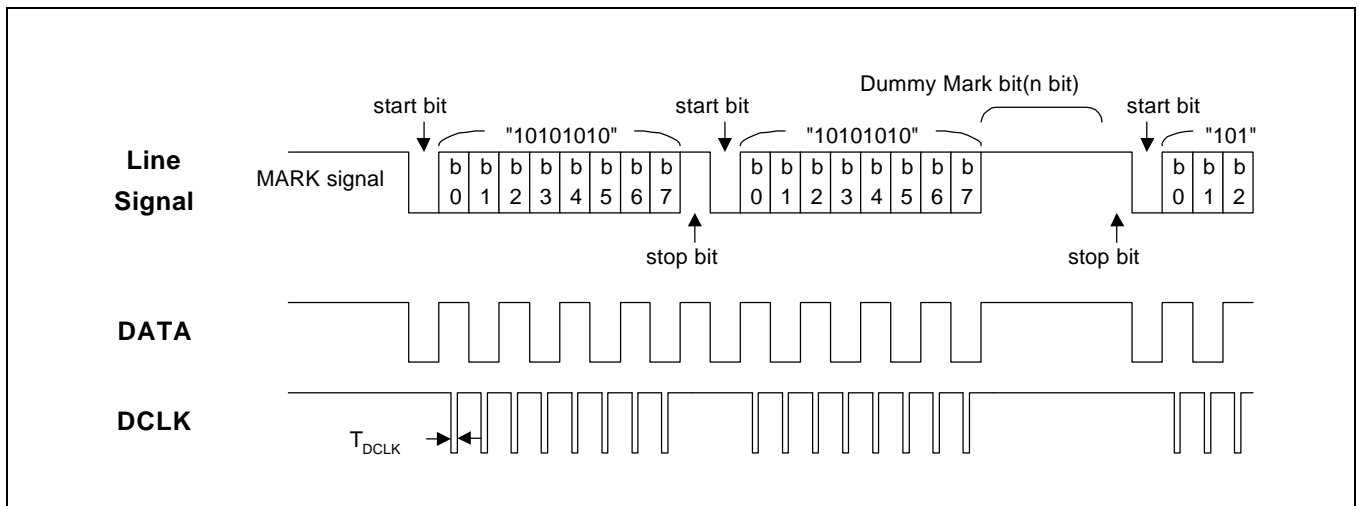


Figure 16. DATA and DCLK generation timing

APPLICATION NOTES

ON-HOOK OPERATION

On-Hook means that the telephone set is not being used. In the On-Hook state, the caller ID information will be displayed on the LCD pannel before you answer the call.

BT(British Telecom) system

In the On-Hook state, the BT protocol sends an "Idle State Tone Alerting Signal" by means of monitoring the input signal level. For more detailed specification, please refer to British Telecom's SIN227, and SIN242.

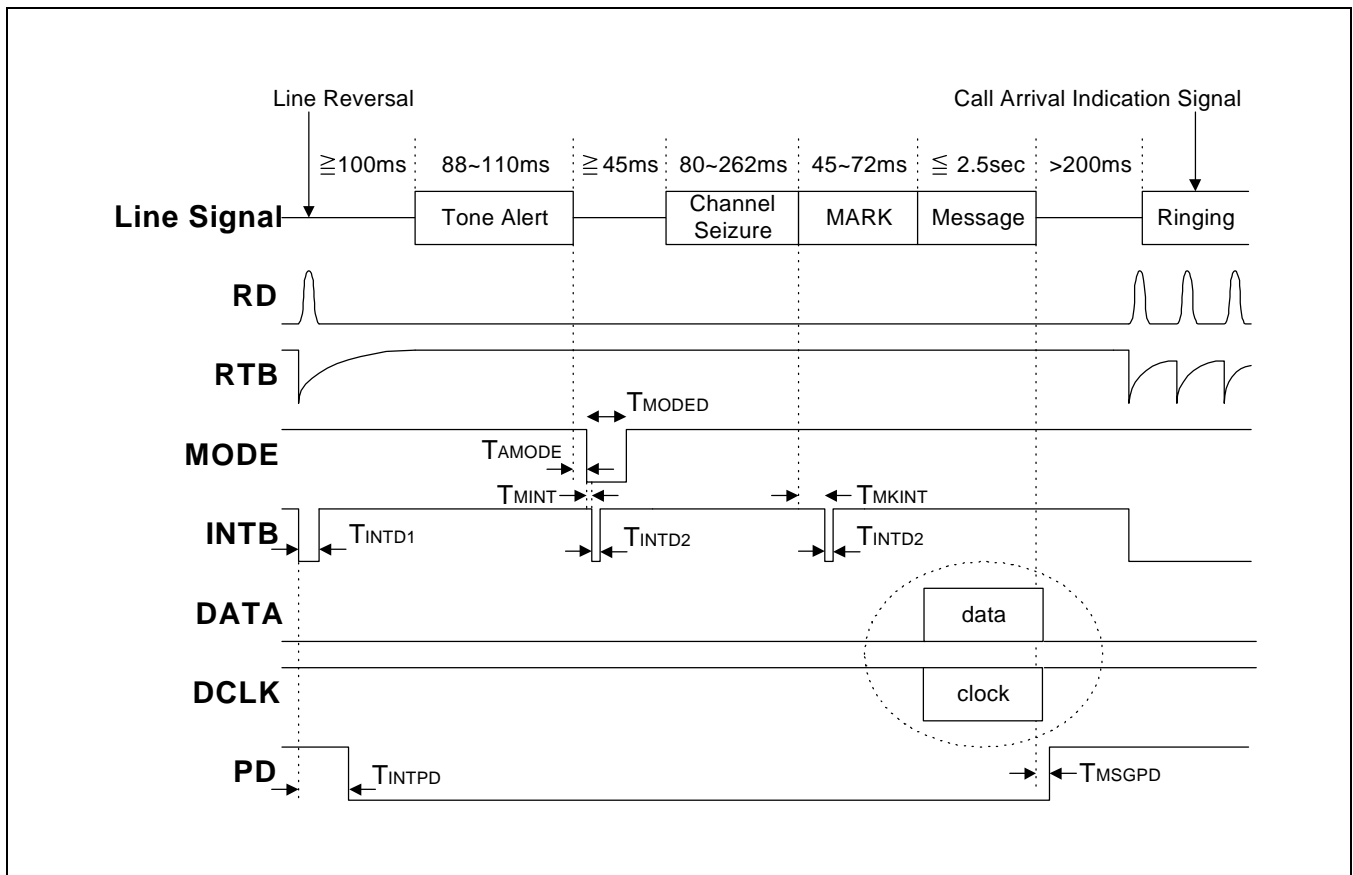


Figure 17. British Telecom On-Hook System Signals

[1] : Sum of two periods may not exceed 5 sec.

[2] : Typically 500ms

[3] : please refer to FIG 16.

The 2130Hz and 2750Hz components of the tone alert signal are transmitted simultaneously and the “10” is continuously repeated for the Channel seizure signal. The MARK signal is composed of continuous “1”, and the message is consists of the start bit (“0”), 8-bit real data, stop bit (“1”) and inserted dummy Mark bit (0~20 bit).

A low edge pulse is generated into the INTB pin if KS8630D detects a Line polarity reversal. Then the Microcontroller must detect this signal and put the PD pin into the Low State level.

Must be careful when the Microcontroller detects the end of FSK data or if the FSK data is not detected during the set amount of time, so that the PD (pin # 8) of KS8630D becomes re-initialized back to Power Down Mode (high state).

Bellcore system

In the On-Hook state, the Bellcore protocol does not send the Dual Tone CPE Alerting Signal. For more detailed information, please refer to Bellcore specification : GR-30-CORE, and SR-TSV-002476.

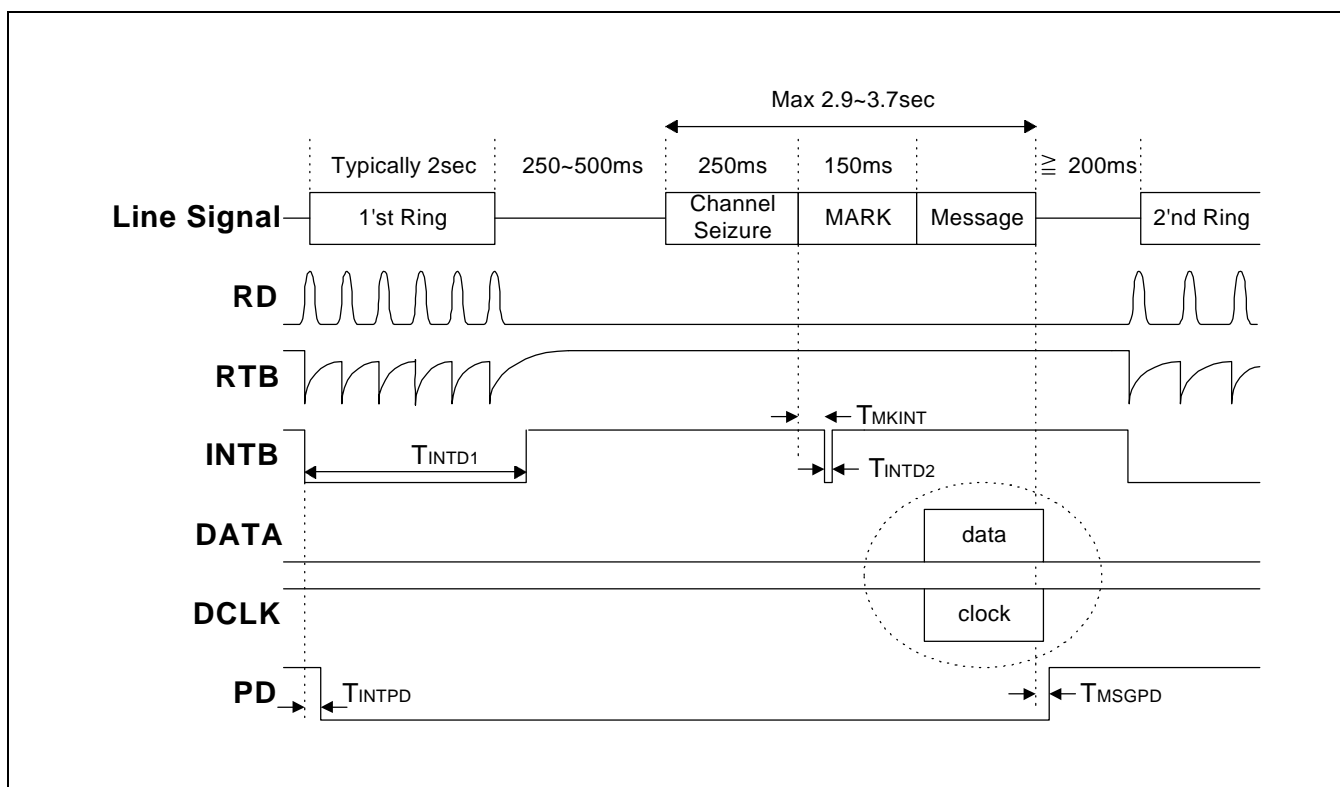


Figure 18. Bellcore On-Hook System Signals

For the Channel seizure signal, the “10” is continuously repeated. The MARK signal is composed of continuous “1”, and the message is consists of the start bit (“0”), 8-bit data, stop bit (“1”) and inserted dummy Mark bit (0~20 bit).

When KS8630D detects the end of ringing signal, the INTB (pin # 14) generates a low edge pulse. The Microcontroller detects this signal and sets the PD (pin # 8) to low state level.

Must be careful when the Microcontroller detects the end of FSK data or if FSK data is not detected during the set amount of time (approximately 500ms), so that that the KS8630D’s PD (pin # 8) becomes re-initialized back to Power Down Mode (high state).

OFF-HOOK OPERATION

Off-Hook means that the telephone set is currently being used. The CIDCW (Calling Identity on Call Waiting) service means displaying a different Caller's Identity on the LCD panel while still on the line with another call.

Since the telephone set is being used, the operator must send a CAS (CPE Alerting Signal) before sending the caller ID information, to initialize the CIDCW service. The performance of subscriber's phone (CPE) is a error rate of the CAS signal detection when the speech signal interfered as a noise. If talk-down (missing CAS) occurs, the caller ID information can be lost, and if talk-off (false response) occurs, the caller at the far end will hear unwanted noise. CAS is transmitted in the same frequency band as the voice signals, so that the talk-off and the talk-down performance is very important to decide the efficiency of Caller ID system. KS8630D uses the BPF and patented digital detection algorithm to detect the Dual Tone CPE Alerting Signal, so it is possible to minimize the talk-off and the talk-down error ratio.

BT (British Telecom) system

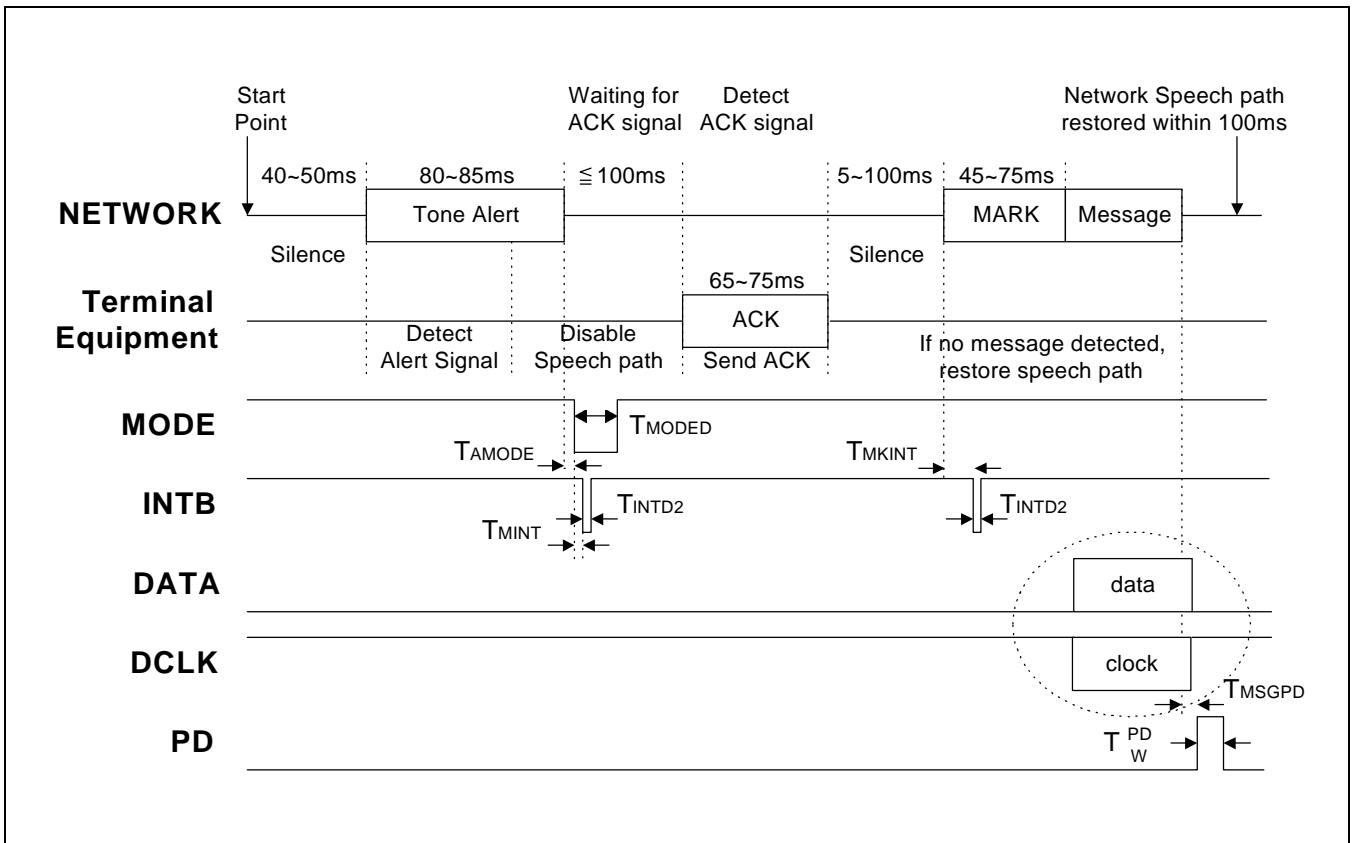


Figure 19. KS8630D's Timing Diagram in BT, Off-Hook Status

If the talk-off occurs, or if the microcontroller has finished transmitting FSK data, a high state pulse must be transmitted to the PD (pin # 8) to re-initialize the KS8630D same as FIG 19.

Bellcore system

Off-Hook state data transmission of Bellcore system is similar to the British Telecom system, but there is a difference in timing.

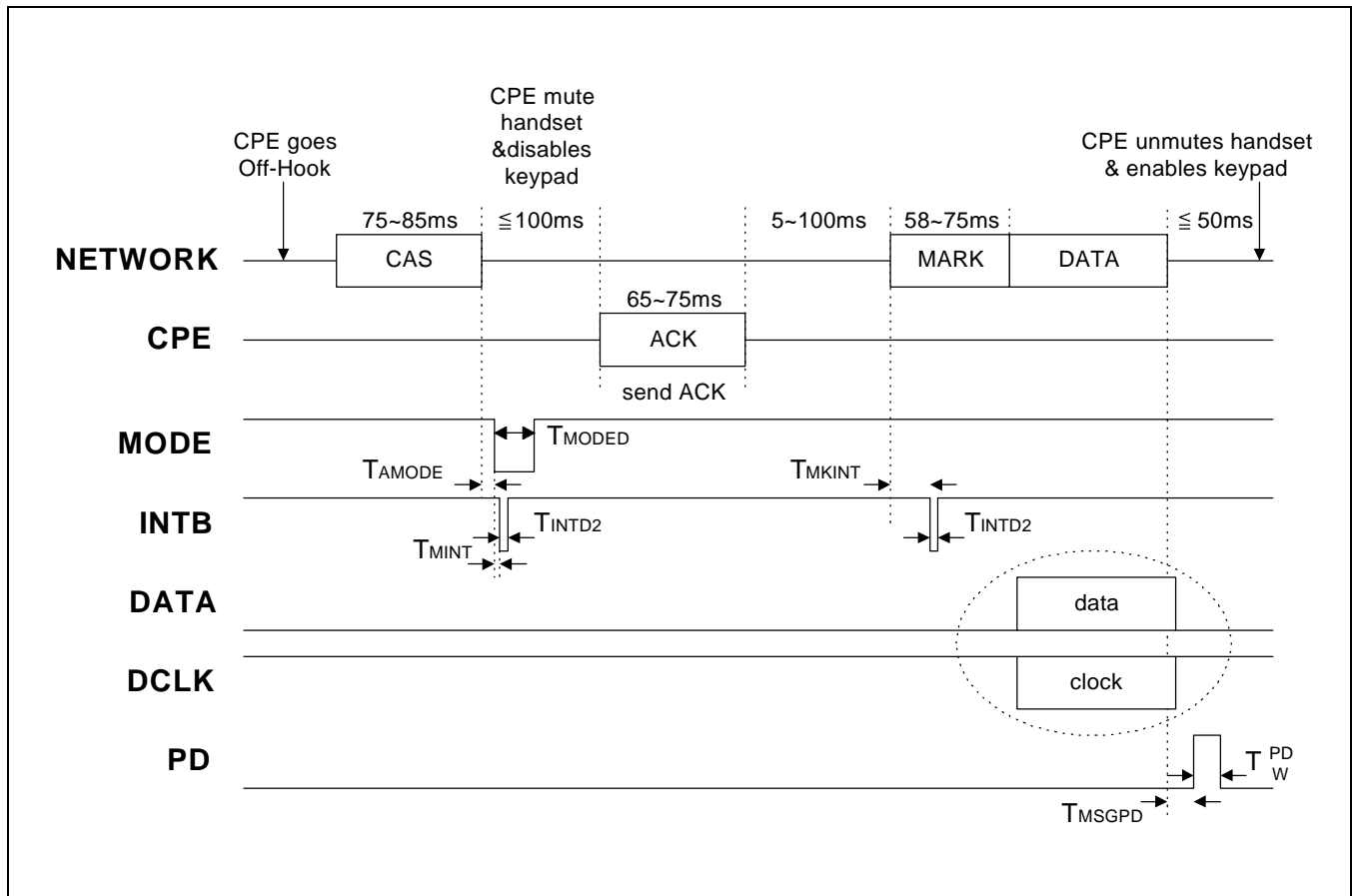


Figure 20. (d). KS8630Ds Timing Diagram in Bellcore, Off-Hook Status

If the talk-off occurs, or if the microcontroller has finished transmitting FSK data, a high state pulse must be transmitted to the PD (pin # 8) to re-initialize the KS8630D same as FIG 20.

ABSOLUTE MAXIMUM RATINGS (Ta = 25°C)

Characteristic	Symbol	Value	Unit
Supply voltage	V _{DD}	0.3 ~ 6.0	V
Power Dissipation	P _D	500	mW
Operating Temperature	T _{OPR}	0 ~ 70	°C
Storage Temperature	T _{STG}	-65 ~ 150	°C

ELECTRICAL CHARACTERISTICS(Ta = 25°C, V_{DD} = 3.3V, unless otherwise specified)

Characteristics	Symbol	Min.	Typ.	Max.	Unit
DC Characteristics					
Operating Voltage	V _{DD}	3.0	–	5.5	V
Operating Current	I _{DD}	–	–	5	mA
Schmitt Input High Threshold(RD)	V _{THR}	0.75*V _{DD}	–	–	V
Schmitt Input Low Threshold(RD)	V _{TLR}	–	–	0.25*V _{DD}	V
Schmitt Input High Threshold(PD)	V _{THP}	0.70*V _{DD}	–	–	V
Schmitt Input Low Threshold(PD)	V _{TLP}	–	–	0.5*V _{DD}	V
AC Electrical Characteristics					
CAS, Idle State Alerting Tone Detection					
Acceptance Range	CAS _{AR} (± 0.5%)	2120	2130	2140	Hz
		2737	2750	2763	Hz
Rejection Range	CAS _{RR}	<2055	-	>2205	Hz
		<2653	-	>2847	Hz
Acceptance Signal Level per tone	CAS _{ASL}	-40	-	-2	dBV [Note1]
Reject signal level per tone	CAS _{RSL}	-	-	-46	
Positive and negative twist detect	CAS _{TD}	-	-	6	dB[Note2]
FSK detection					
Transmission rate		1188	1200	1212	Baud
BELL202 MARK("1")		1188	1200	1212	Hz
BELL202 SPACE("0")		2178	2200	2222	Hz
V.23 MARK("1")		1280	1300	1320	Hz
V.23 SPACE("0")		2068	2100	2132	Hz

ELECTRICAL CHARACTERISTICS (Continued)(Ta = 25°C, V_{DD} = 3.3V, unless otherwise specified)

Characteristics	Symbol	Min.	Typ.	Max.	Unit
Input level detection	FSK _{LD}	-40.0	-	-3.0	dBV [Note3]
Acceptable Twist Level	FSK _{AT}	-	-	6	dB
Signal Timing Specification					
CAS, Idle State Alerting Tone Detection					
End of Tone Alert signal to MODE low timing	T _{AMODE}	1.7	2.0	10	ms
MODE low to INT low timing	T _{MINT}	200	250	300	us
MODE low duration timing	T _{MODED}	15	18	20	ms
INT low duration timing when Ring / Line reversal occurs	T _{INTD1}	Same timing width as Ring / Line-reversal detection at Tip / Ring. Refer to Fig 5 / Fig 6 Timing			
INT low duration timing	T _{INTD2}	1.5	1.7	2.0	ms
FSK detection					
MARK signal start time to INT low timing	T _{MKINT}	26	27	35	ms
DCLK's low duration time	T _{DCLK}	60	70	80	us
1st INTB to PD low time in On-Hook state	T _{INTPD} [Note4]	1	5	10	ms
Message end to PD high time	T _{MSGPD} [Note4]	1	5	10	ms
PD high pulse width in Off-Hook state	T _{PDW} [Note4]	30	50	100	us

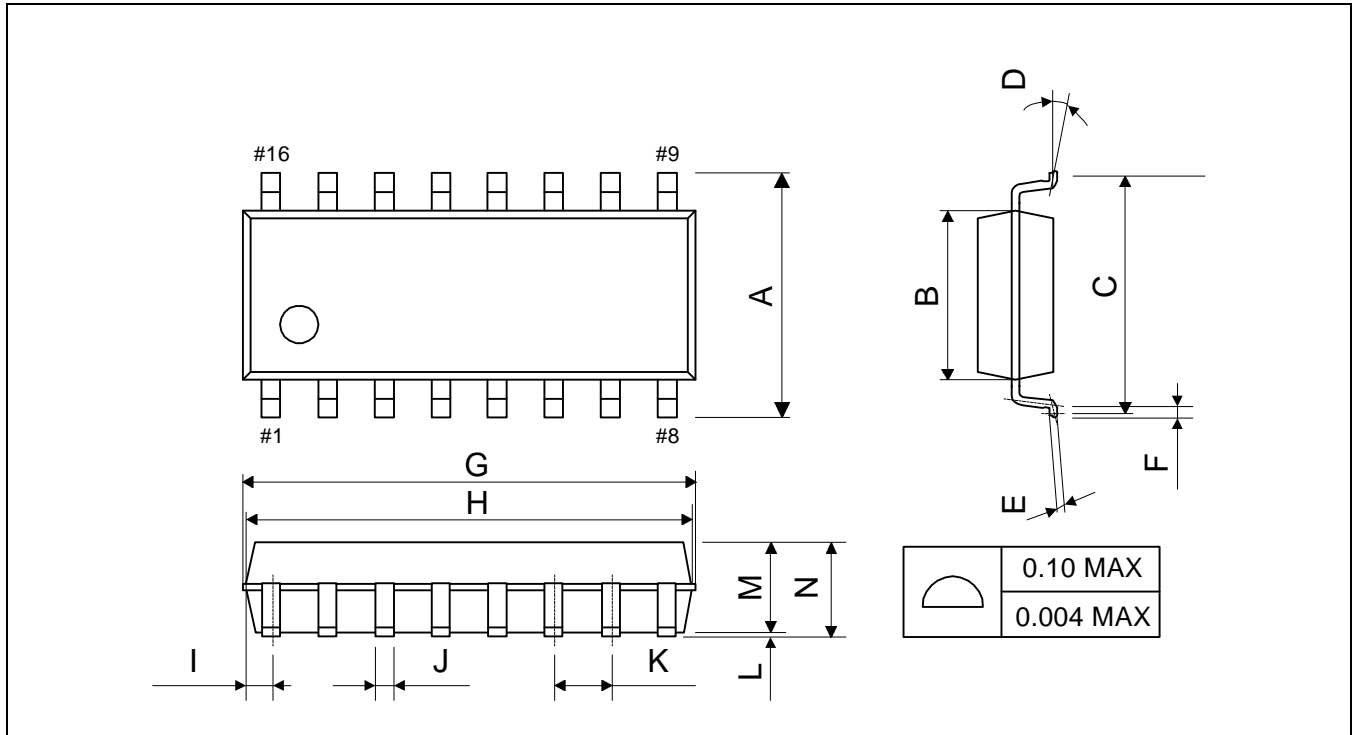
NOTES:

1. dBV: decibels above or below a reference voltage of 1 V_{rms} Signal level is per tone.
2. dB: Twist = 20 log (f_H amplitude / f_L amplitude)
3. dBV: decibels above or below a reference voltage of 1 V_{rms}.

cf) dBm : decibels above or below a reference power of 1mW into 600Ω.
0dBm = 0.7746V_{rms}.

4. These times are required by the Microcontroller.
For KS8630D to work properly, these timings must be observed.

PACKAGE DIMENSION



- A: $6.00 \pm 0.30 / 0.236 \pm 0.012$
- B: $3.95 \pm 0.20 / 0.156 \pm 0.008$
- C: $5.72 / 0.225$
- D: $0 \sim 8^\circ$
- E: $0.20 + 0.10, -0.05 / 0.008 + 0.004, - 0.002$
- F: $0.60 \pm 0.20 / 0.024 \pm 0.008$
- G: $10.30 \text{ MAX} / 0.405 \text{ MAX}$
- H: $9.90 / 0.390$
- I: $0.51 / 0.020$
- J: $0.41 \pm 0.10 / 0.016 \pm 0.004$
- K: $1.27 / 0.050$
- L: $0.05 \text{ MIN} / 0.002 \text{ MIN}$
- M: $1.55 \pm 0.20 / 0.061 \pm 0.008$
- N: $1.95 \text{ MAX} / 0.077 \text{ MAX}$